



US00D921409S

(12) **United States Design Patent**
Deevers et al.

(10) **Patent No.:** **US D921,409 S**
(45) **Date of Patent:** **** Jun. 8, 2021**

- (54) **CHAIR**
- (71) Applicant: **Steelcase Inc.**, Grand Rapids, MI (US)
- (72) Inventors: **Nickolaus William Charles Deevers**, Holland, MI (US); **Bruce Smith**, Grand Rapids, MI (US); **Mark Spoelhof**, Grand Rapids, MI (US); **Kurt R. Heidmann**, Grand Rapids, MI (US); **Pascal Hien**, Radebeul (DE)
- (73) Assignee: **Steelcase Inc.**, Grand Rapids, MI (US)
- (**) Term: **15 Years**
- (21) Appl. No.: **29/714,581**
- (22) Filed: **Nov. 25, 2019**

- 3,652,809 A 3/1972 Dickopp et al.
 - 3,653,233 A 4/1972 Titone
 - 3,709,559 A 1/1973 Rowland
 - 3,720,568 A 3/1973 Rowland
 - 3,724,402 A 4/1973 Thyberg et al.
- (Continued)

FOREIGN PATENT DOCUMENTS

- CN 2256246 Y 6/1997
 - CN 10149202 10/2007
- (Continued)

OTHER PUBLICATIONS

- Dolla et al., "Structural and Drug Diffusion Models of Conventional and Auxetic Drug-Eluting Stents" Research Paper dated Aug. 3, 2006, pp. 1-32.
- (Continued)

Related U.S. Application Data

- (63) Continuation of application No. 29/628,523, filed on Dec. 5, 2017, now Pat. No. Des. 869,872, and a continuation-in-part of application No. 29/628,526, filed on Dec. 5, 2017, now Pat. No. Des. 869,889.
- (51) **LOC (13) Cl.** **06-01**
- (52) **U.S. Cl.**
USPC **D6/716; D6/366**
- (58) **Field of Classification Search**
USPC D6/334-336, 364, 365, 366, 374, 375, D6/379, 380, 716, 716.1, 716.2, 716.4
CPC A47C 7/002; A47C 7/004; A47C 7/02; A47C 7/18; A47C 7/24; A47C 7/282; A47C 7/285; A47C 7/40; A47C 7/44; A47C 7/54
See application file for complete search history.

Primary Examiner — Mimosa De
(74) *Attorney, Agent, or Firm* — Brinks Gilson & Lione

(57) **CLAIM**

We claim the ornamental design for a chair, as shown and described.

DESCRIPTION

FIG. 1 is a top upper perspective view of a chair; FIG. 2 is a top plan view thereof; FIG. 3 is a bottom plan view thereof; FIG. 4 is a rear elevation view thereof; FIG. 5 is a front elevation view thereof; FIG. 6 is a right side elevation view thereof; FIG. 7 is a left side elevation view thereof; and, FIG. 8 is a rear lower perspective view thereof.

The ornamental design which is claimed is shown in solid lines in the drawings.

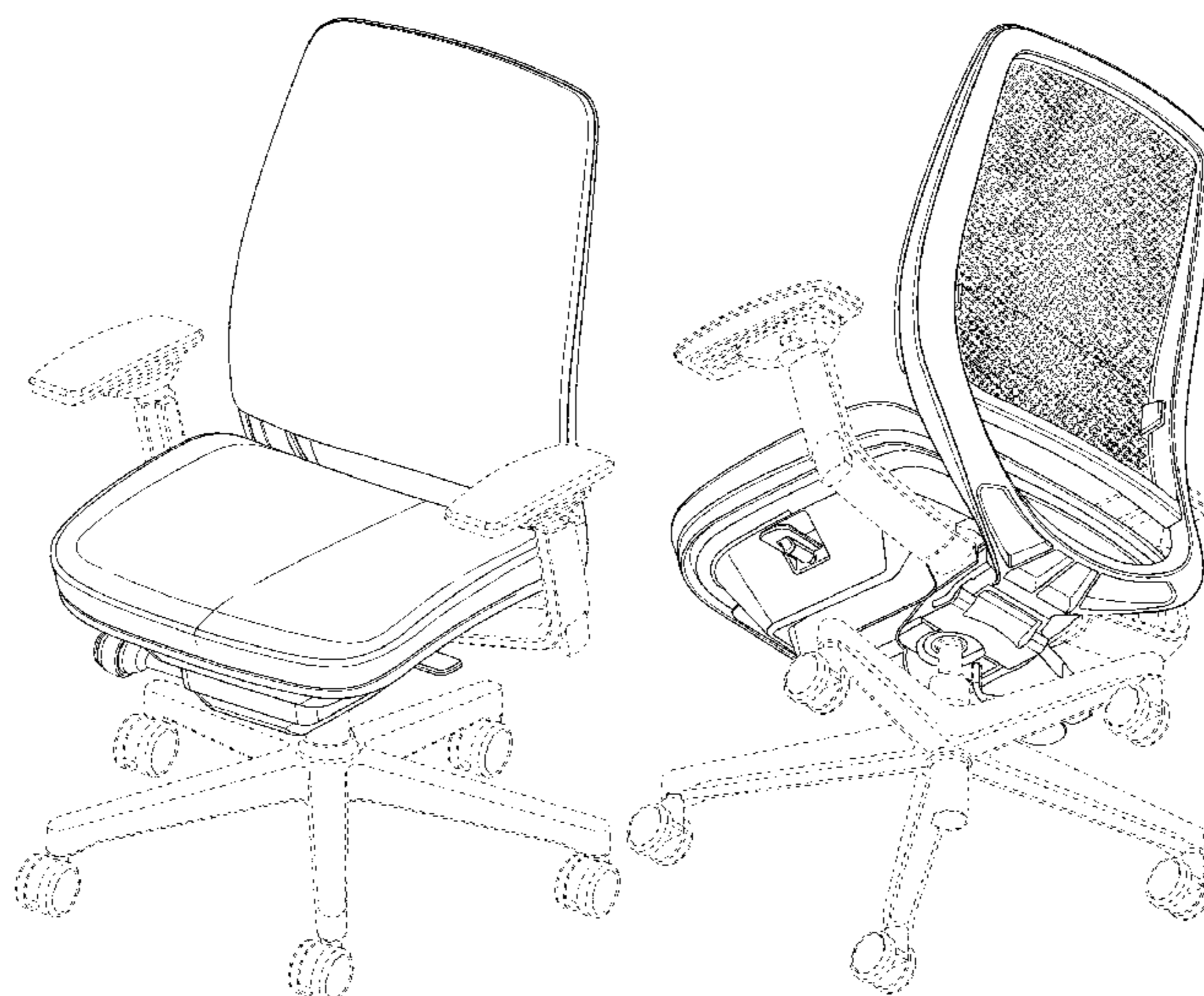
The broken lines shown in the drawing are for the purpose of illustrating environmental structure and form no part of the claimed design.

(56) **References Cited**

U.S. PATENT DOCUMENTS

- 2,678,685 A 5/1954 Volsk
- 2,726,713 A 12/1955 Turner
- 3,559,978 A 2/1971 Molt

1 Claim, 8 Drawing Sheets



(56)

References Cited

FOREIGN PATENT DOCUMENTS

DE	102016010929	4/2017	
GB	1224810	3/1971	
JP	3974636	6/2007	
JP	2008/000364	1/2008	
JP	2008/237332	10/2008	
JP	4462227	2/2010	
JP	2014/054578	3/2014	
KR	10-1575774	12/2015	
KR	10-1679795	11/2016	
WO	WO 1988/00523	1/1988	
WO	WO 1991/01210	2/1991	
WO	WO 2000/53830	9/2000	
WO	WO 2004/032686	4/2004	
WO	WO 2004/088015	10/2004	
WO	WO 2004/104315	12/2004	
WO	WO 2007/133458	11/2007	
WO	WO 2009/002479	12/2008	
WO	WO 2010/049511	5/2010	
WO	WO 2012/171911	12/2012	
WO	WO 2015/108143	7/2015	
WO	WO-2019112956 A1 *	6/2019 A47C 7/40

OTHER PUBLICATIONS

Dolla et al., Structural and Drug Diffusion Models of Conventional and Auxetic Drug-Eluting Stents, *Journal of Medical Devices*, vol. 1, Mar. 2007, downloaded from the Internet on Jan. 8, 2018, pp. 47-55.

Proceedings of NanoBio 2006, *Frontiers in Biomedical Devices Conference*, NanoBios2006-18035, Jun. 8-9, 2006, Irvine, California, U.S.A., pp. 1-2.

Alderson, A Triumph of Lateral Thought, *Chemistry & Industry*, dated May 17, 1999, pp. 384-391.

Roguin et al., BeStent—The Serpentine Balloon Expandable Stent: Review of Mechanical Properties and Clinical Experience, *Artif Organs*, vol. 22 (3), 1998, presented in part on Jun. 29-Jul. 1, 1997, in Providence, Rhode Island, U.S.A., pp. 243-249.

Dolla, Drug Diffusion and Structural Design Criteria for Conventional and Auxetic Drug-Eluting Stents, *Dissertation in Engineering and Chemistry*, 2006, pp. 1-149.

Hwang, et al. 2003, downloaded from the Internet on Oct. 26, 2014, "Impact of Transport and Drug Properties on the Local Pharmacology of Drug-Eluting Stents," *International Journal of Cardiovascular Interventions*, 5, pp. 7-12.

Walline, K.S., 2004, "Drug Delivery Coatings for Cardiovascular Stents: Silicone Elastomer and Thrombin Responsive Hydrogel Coatings," M.S. Thesis, University of Washington.

Windecker et al., 2003, "Sirolimus Eluting Stent: A New Era in Interventional Cardiology," *Current Pharmaceutical Design*, 9, pp. 1077-1094.

Lu et al., 2004, "Biaxial Incremental Homeostatic Elastic Moduli of Coronary Artery: Two-Layer Model," *American Journal of Physiology—Heart*, vol. 287, pp. H1663-1669.

Boulanger et al., 1998, "Poisson's ratio of Orthorhombic Materials," *Journal of Elasticity*, vol. 50, pp. 87-89.

Clark et al., 1994, "Negative Poisson's Ratios in Angle-Ply Laminates: Theory and Experiment," *Composites*, vol. 25, No. 9, pp. 863-868.

Evans et al., 2004, "The Design, Matching and Manufacture of Auxetic Carbon Fiber Laminates," *Journal of Composite Materials*, vol. 38, No. 2, pp. 95-106.

Hine et al., 1997, Negative Poisson's Ratios in Angle-Ply Laminates, *Journal of Materials Science Letters*, vol. 16, No. 7, pp. 541-544.

Lakes, R.S., 1987(a), Foam Structures with a Negative Poisson's Ratio, *Science*, vol. 235, pp. 1038-1040, dated Feb. 27, 1987.

Lakes, R.S. et al., 1993, Indentability of Conventional and Negative Poisson's Ratio Foams, *Journal of Composite Materials*, vol. 27, pp. 1193-1202.

Warren, T.L., 1990, "Negative Poisson's Ratio in a Transversely Isotropic Foam Structure," *Journal of Applied Physics*, vol. 67, No. 12, pp. 7591-7594, dated Jun. 15, 1990.

Baughman et al., "Negative Poisson's Ratios as a Common Feature of Cubic Metals," *Letters to Nature*, vol. 392, MacMillan Publishers Ltd., 1998; dated Mar. 26, 1998, pp. 362-365.

Choi et al., "Fracture Toughness of Renetrant Foam Materials with a Negative Poisson's Ratio: Experiment and Analysis," *Int. J. Fracture*, vol. 80, 1996, pp. 73-83.

Amir Yeganeh-Haeri et al., "Elasticity of #-Christobalite: A Silicon Dioxide with a Negative Poisson's Ratio," *Science*, vol. 257, No. 5070, pp. 650-652, dated Jul. 31, 1992.

Smardzewski et al., "Auxetic Spring Elements for Elastically Supporting a Sitting or Lying," Article, WULS-SGGW, *Forest and Wood Technology* 73, 2011, 9 pages.

Smardzewski, "Auxetic Springs for Seating," *Journal*, May 6, 2013, 8 pages, Poznan, Poland.

Smardzewski et al., "Design of Small Auxetic Springs for Furniture," 2 pgs.

* cited by examiner

Fig. 1

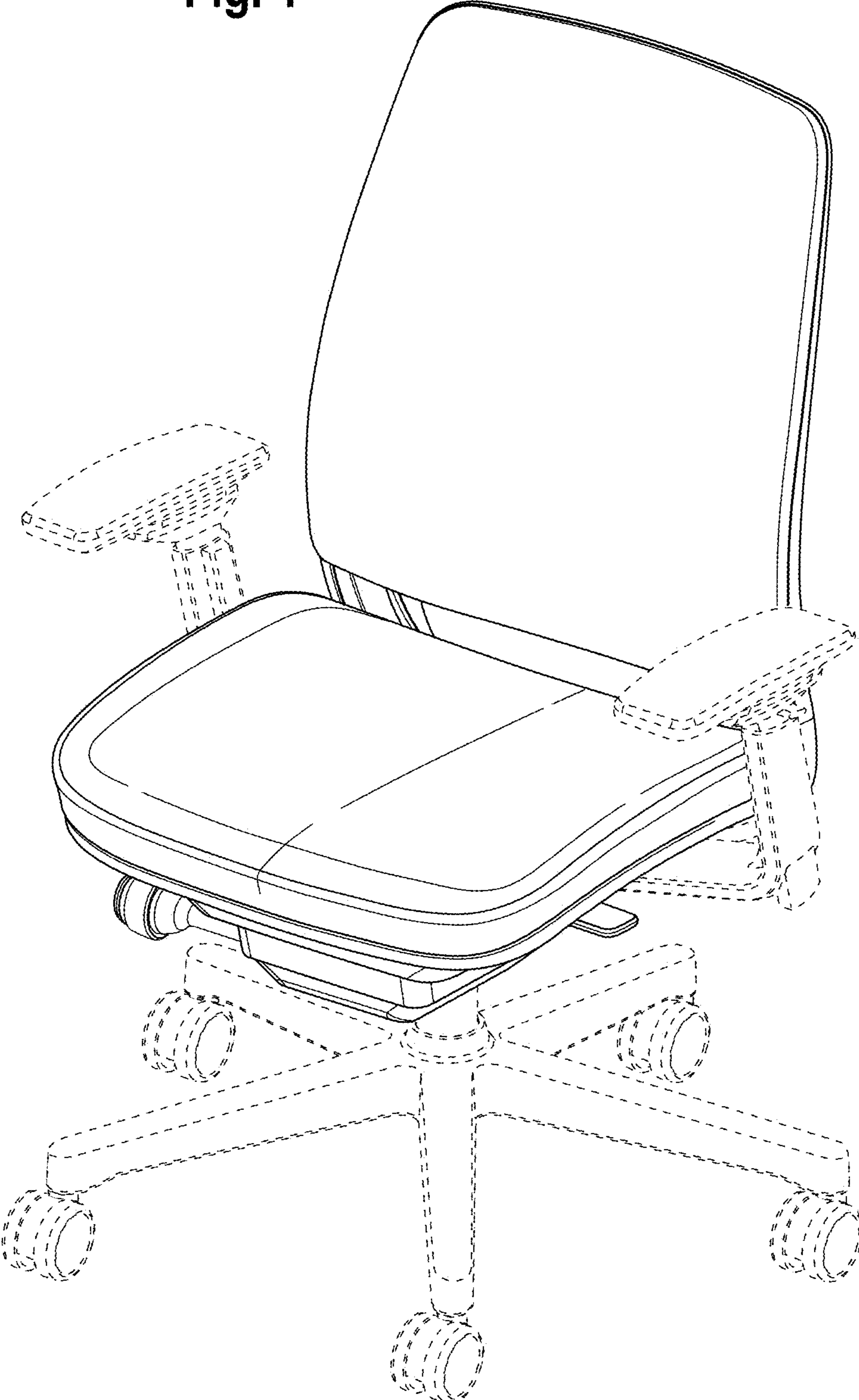


Fig. 2

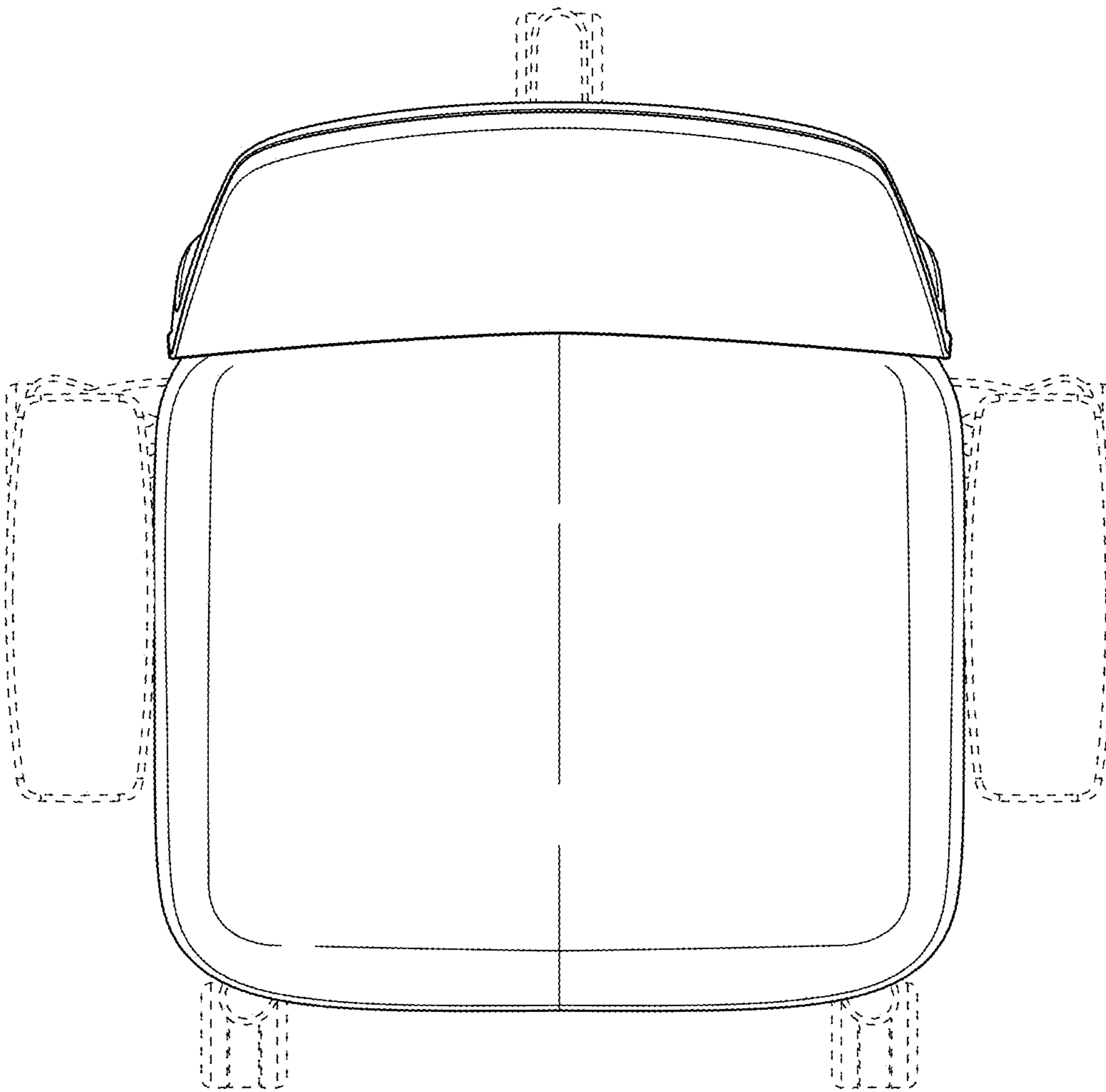


Fig. 3

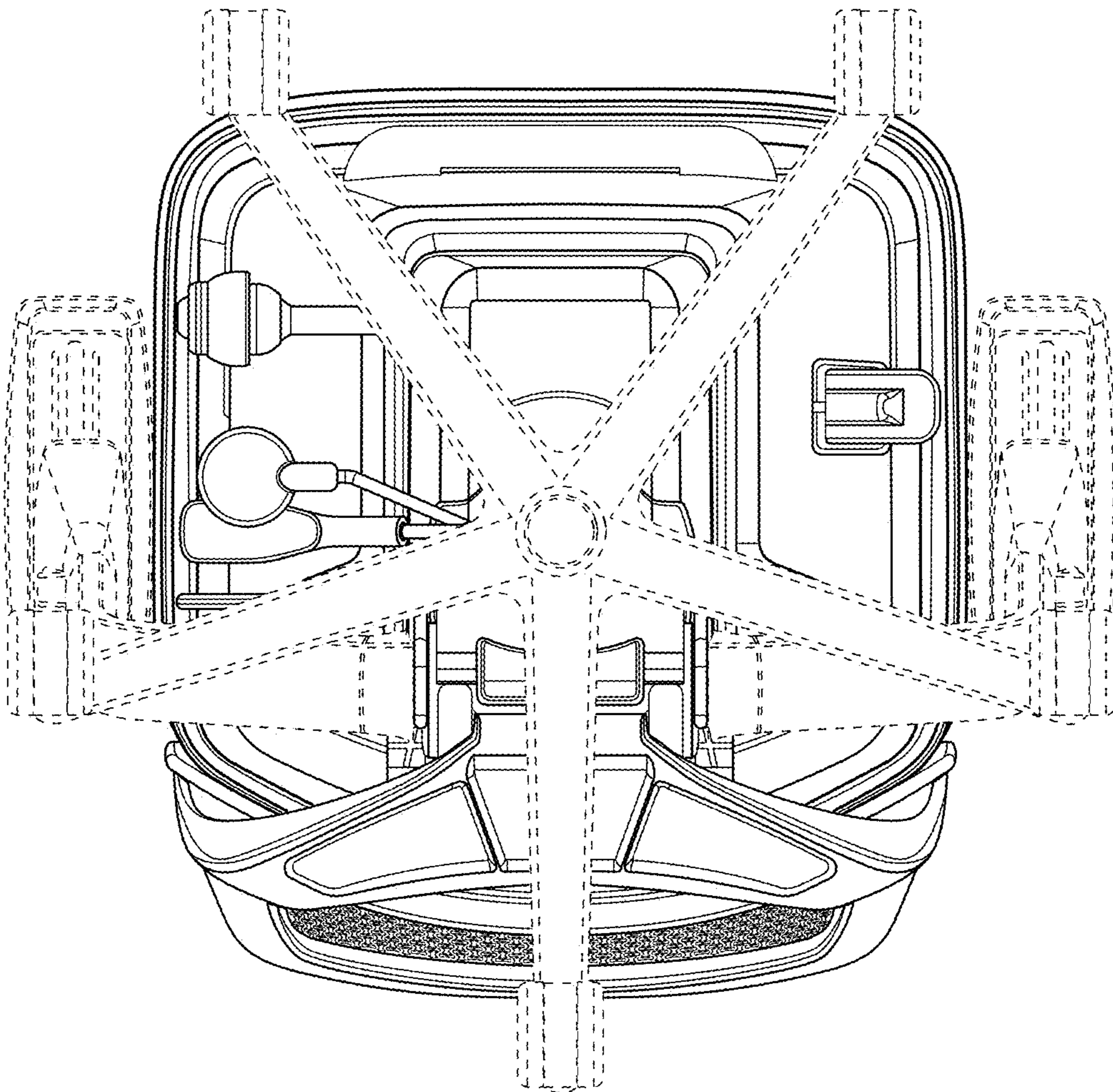


Fig. 4

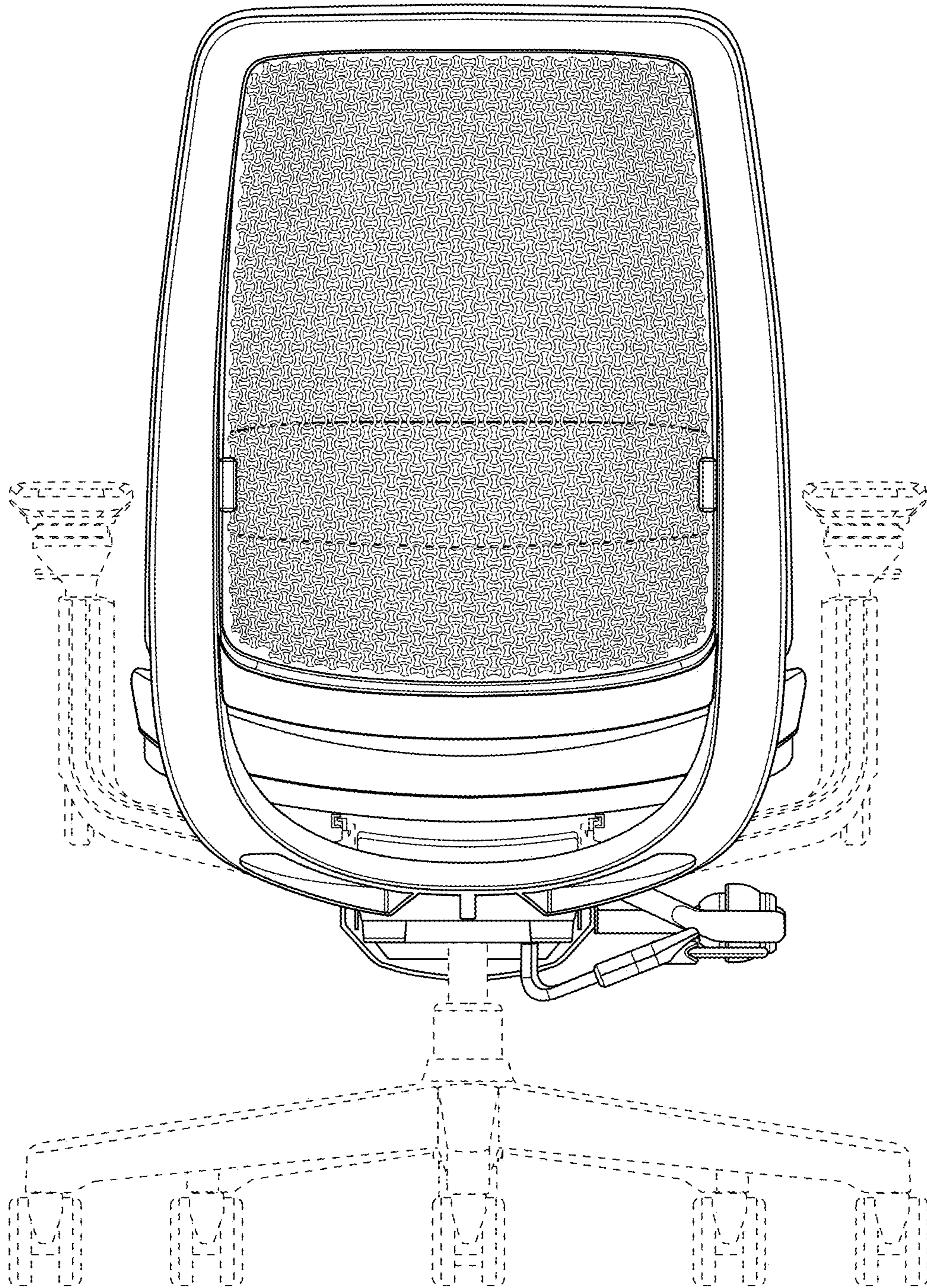


Fig. 5

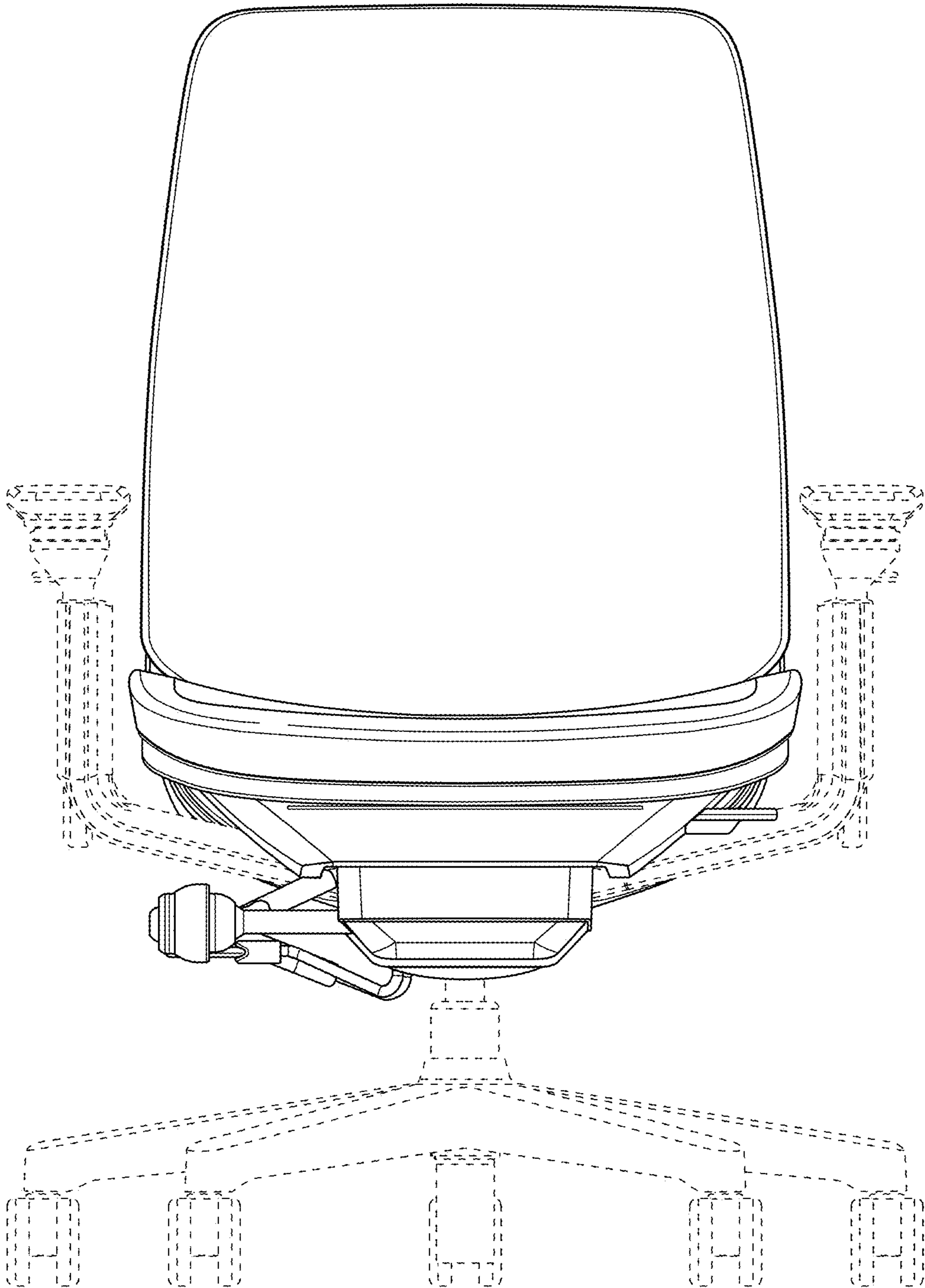


Fig. 6

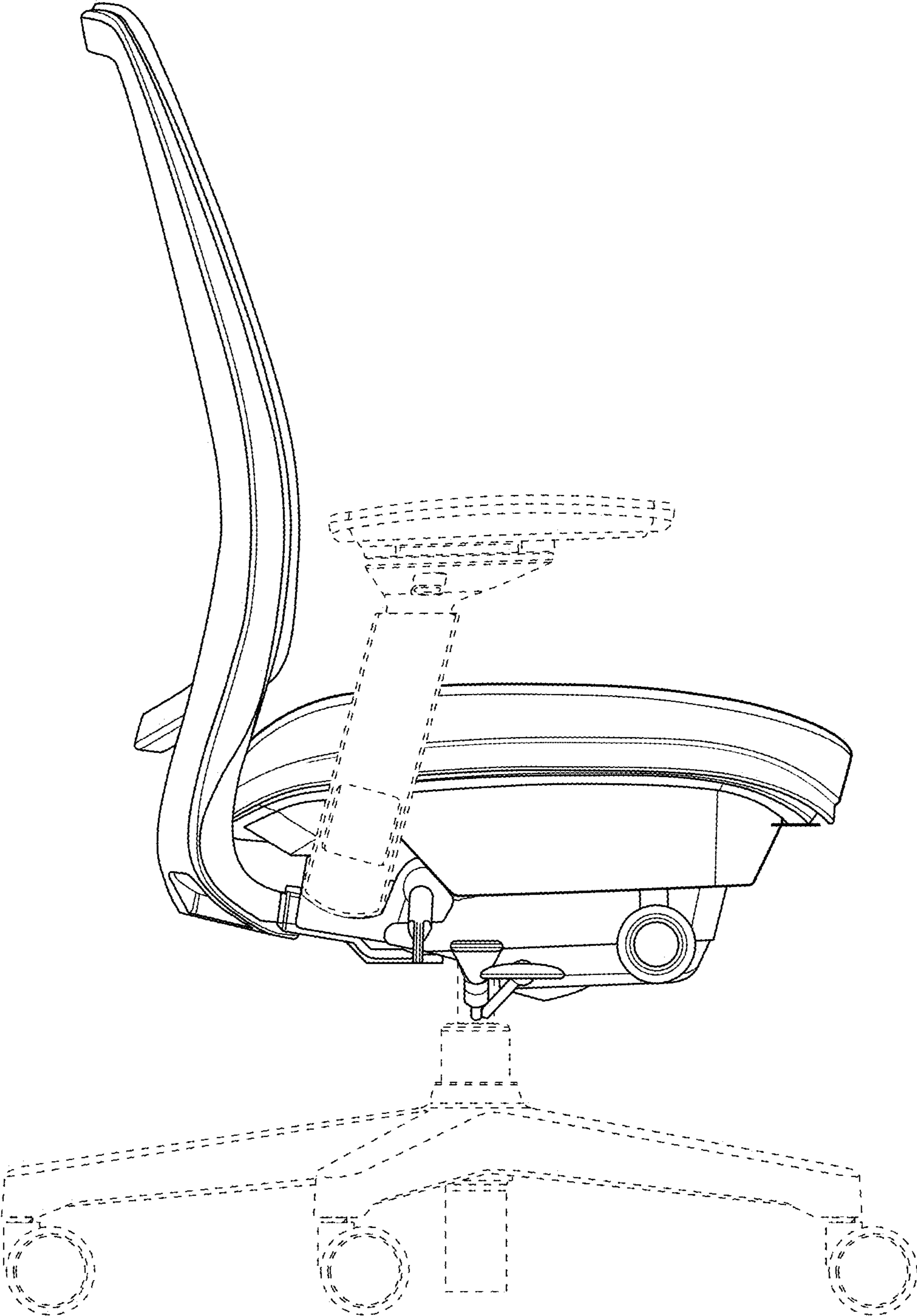


Fig. 7

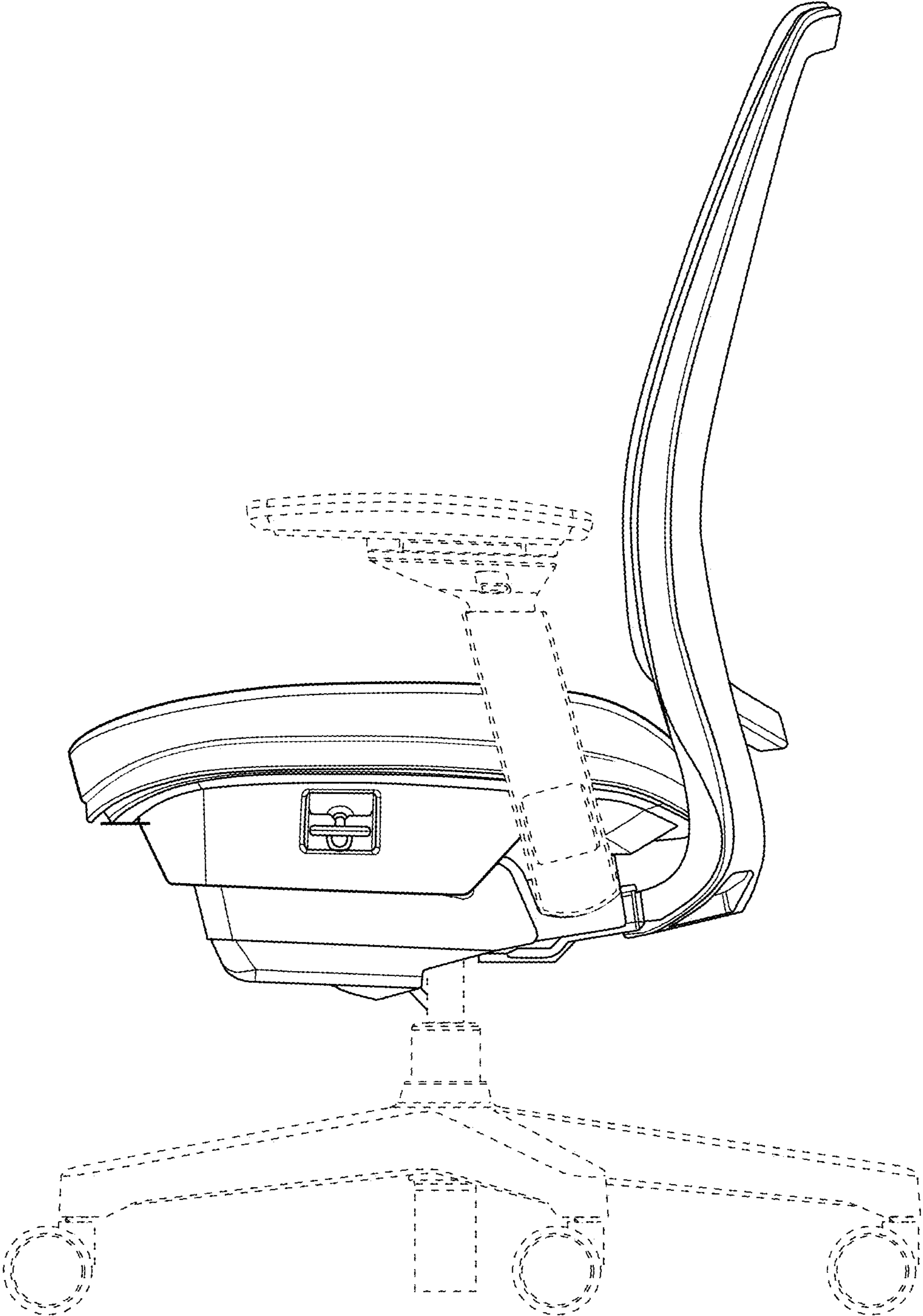


Fig. 8

