



US00D921408S

(12) **United States Design Patent** (10) **Patent No.:** **US D921,408 S**
Bergsma (45) **Date of Patent:** **** Jun. 8, 2021**

(54) **LECTERN STAND**
(71) Applicant: **MiEN Company**, Grand Rapids, MI (US)
(72) Inventor: **Remco Bergsma**, Grand Rapids, MI (US)
(73) Assignee: **MiEN Company**, Grand Rapids, MI (US)

D815,463 S * 4/2018 Kobayashi D6/655.2
10,182,648 B1 * 1/2019 Lai A47B 9/20
D850,833 S * 6/2019 Gevaert D6/700
D865,404 S * 11/2019 Hu D6/655.13
D880,917 S * 4/2020 Itou D6/708.17
D882,997 S * 5/2020 Powell D6/700
D888,966 S * 6/2020 Robert D24/185
2004/0188587 A1 * 9/2004 Michell A47B 19/002
248/457

(Continued)

(**) Term: **15 Years**
(21) Appl. No.: **29/703,433**
(22) Filed: **Aug. 27, 2019**
(51) **LOC (13) Cl.** **06-06**
(52) **U.S. Cl.**
USPC **D6/708.17**
(58) **Field of Classification Search**
USPC D6/655.13, 655.2, 656.13, 656.15, 681.2,
D6/691.4, 691.6, 700, 708.17
CPC A47B 13/081; A47B 19/002; A47B
2200/0042; A47B 3/00; A47B 9/00; A47B
9/20
See application file for complete search history.

OTHER PUBLICATIONS

“MiEN Company Multi-Use Student Table MUST in White Maple.”
Found online Aug. 26, 2020 at www.amazon.com. Product first available Feb. 22, 2019. Retrieved from URL: <https://www.amazon.com/Company-Table-x15-75-White-Maple/dp/B07BGGVBM7> (Year: 2019).*

(Continued)

Primary Examiner — Mary Ann Calabrese
Assistant Examiner — Katelin G Kloberg
(74) *Attorney, Agent, or Firm* — Oppenhuizen Law PLC;
David L. Oppenhuizen

(57) **CLAIM**

The ornamental design for a lectern stand, as shown and described.

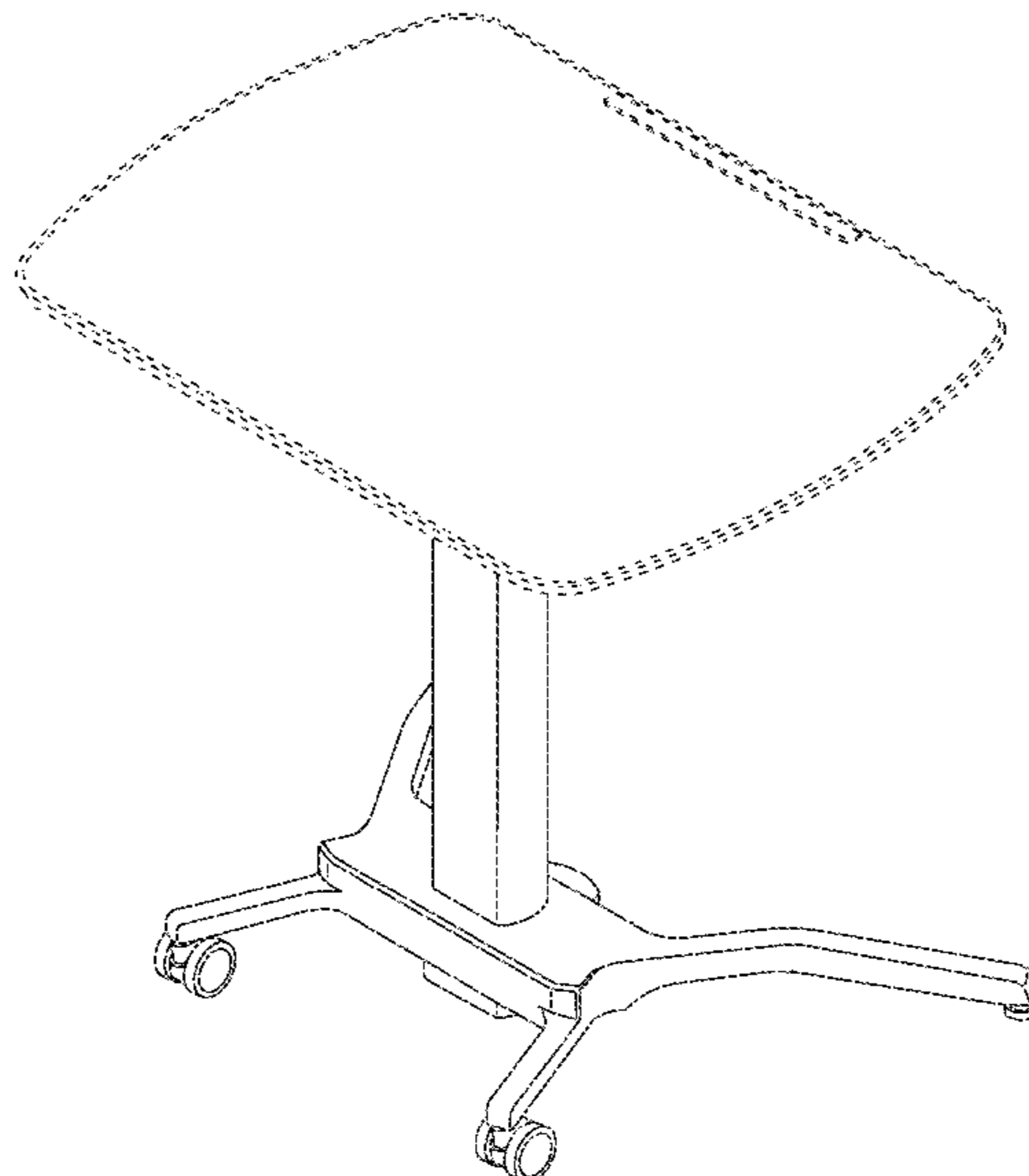
DESCRIPTION

FIG. 1 is a front perspective view of a lectern stand showing the new design;
FIG. 2 is a front view;
FIG. 3 is a right side view;
FIG. 4 is a rear view;
FIG. 5 is a left side view;
FIG. 6 is a top view; and,
FIG. 7 is a bottom view.
The broken lines depict portions of the article that form no part of the claimed design.

1 Claim, 6 Drawing Sheets

(56) **References Cited**
U.S. PATENT DOCUMENTS

D168,524 S * 12/1952 Thomas D6/681.2
D353,287 S * 12/1994 Hemberger D6/708.17
D378,635 S * 4/1997 Studer D6/656.15
D468,137 S * 1/2003 Ulmer D6/708.17
D493,977 S * 8/2004 Rossini D34/27
D595,070 S * 6/2009 Wacker D6/708.17
D665,191 S * 8/2012 Yamamoto D6/656.15
D669,282 S * 10/2012 Yamamoto D6/691.6
D693,152 S * 11/2013 Yamamoto D6/656.15
D702,840 S * 4/2014 Blomquist D24/164
D722,696 S * 2/2015 Blomquist D24/164
D759,994 S * 6/2016 Lin D6/656.13
D770,814 S * 11/2016 Davidson D6/656.15



(56)

References Cited

U.S. PATENT DOCUMENTS

2013/0284077 A1* 10/2013 Copeland A47B 3/08
108/117

OTHER PUBLICATIONS

“MUSTplus—Multi-Use Student Table Plus.” Found online Aug. 26, 2020 at www.miencompany.com. Page dated Dec. 23, 2019. Retrieved from URL: https://miencompany.com/wp-content/uploads/2020/01/MUSTPlus_Cutsheet-1000.pdf (Year: 2019).*

“Pneumatic Adjustable-Height Lectern.” Found online Aug. 26, 2020 at www.amazon.com. Product first available Feb. 6, 2018. Retrieved from URL: https://www.amazon.com/Stand-Up-Desk-Store-Adjustable-Height/dp/B079MH6BCL?ref_=ast_sto_dp (Year: 2018).*

“Seville Classics Airlift Sit-Stand Adjustable Mobile Student Desk.” Found online Aug. 26, 2020 at www.amazon.com. Product reviewed Aug. 14, 2017. Retrieved from URL: <https://tinyurl.com/y6y2feqq> (Year: 2017).*

“Sunon Pneumatic Height Adjustable Rolling Sit-Stand Desk.” Found online Aug. 26, 2020 at www.amazon.com. Product first available Oct. 31, 2018. Retrieved from URL: <https://tinyurl.com/y6qw9ulk> (Year: 2018).*

“MELLCOM Adjustable Height Laptop Desk.” Found online Aug. 26, 2020 at www.amazon.com. Product first available Aug. 6, 2020. Retrieved from URL: <https://tinyurl.com/y62rfugg> (Year: 2020).*

* cited by examiner

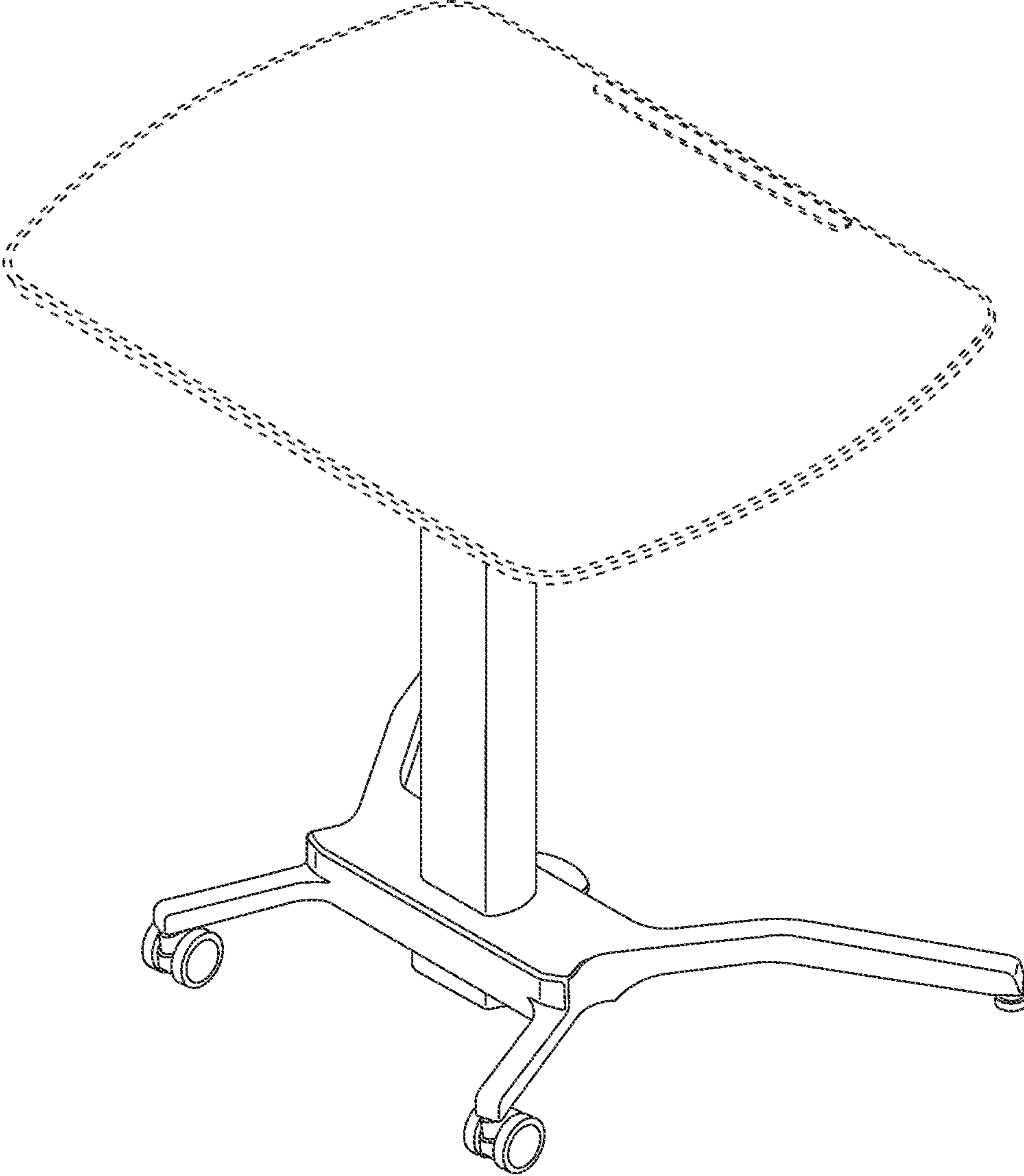


FIG. 1

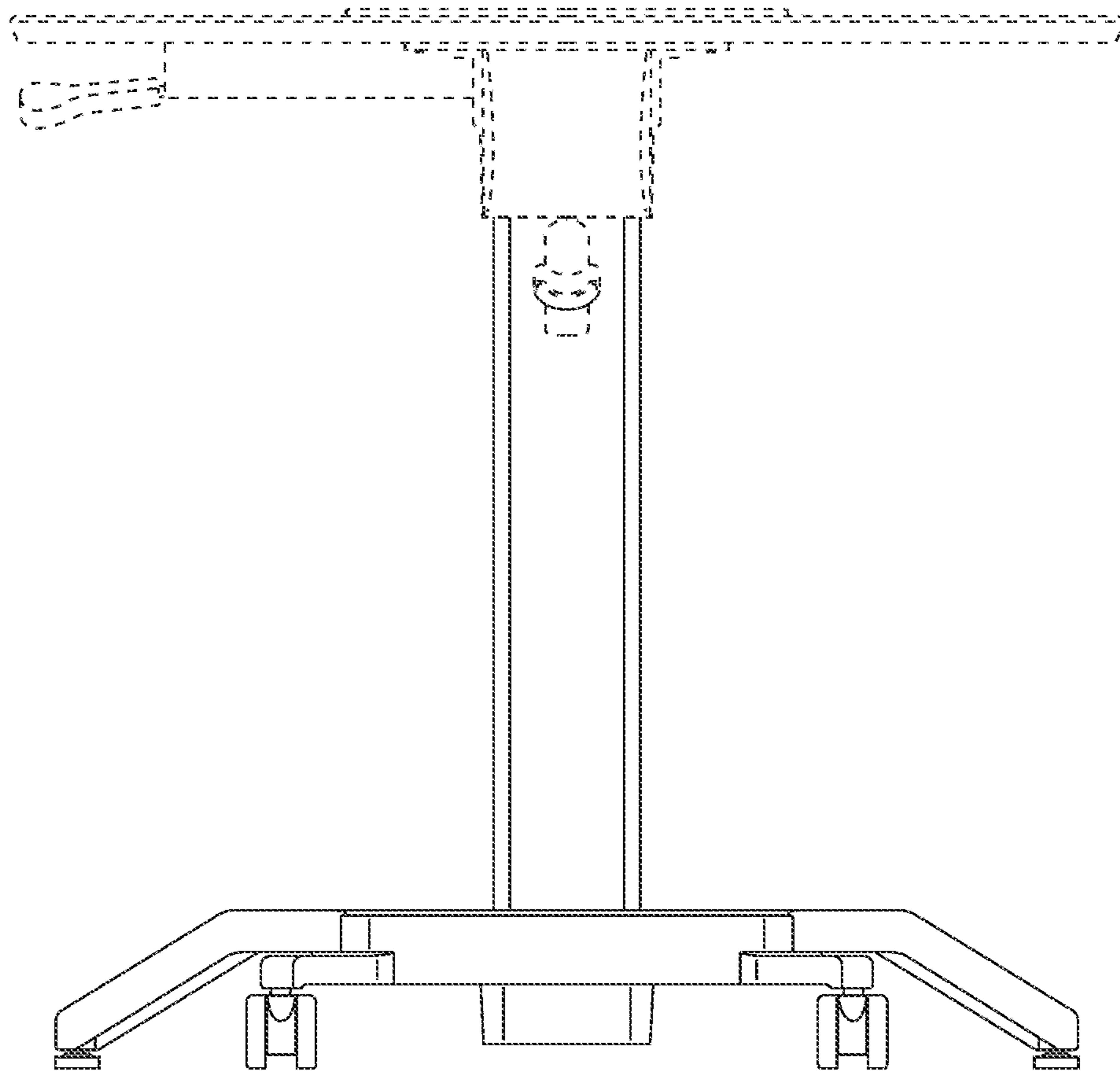


FIG. 2

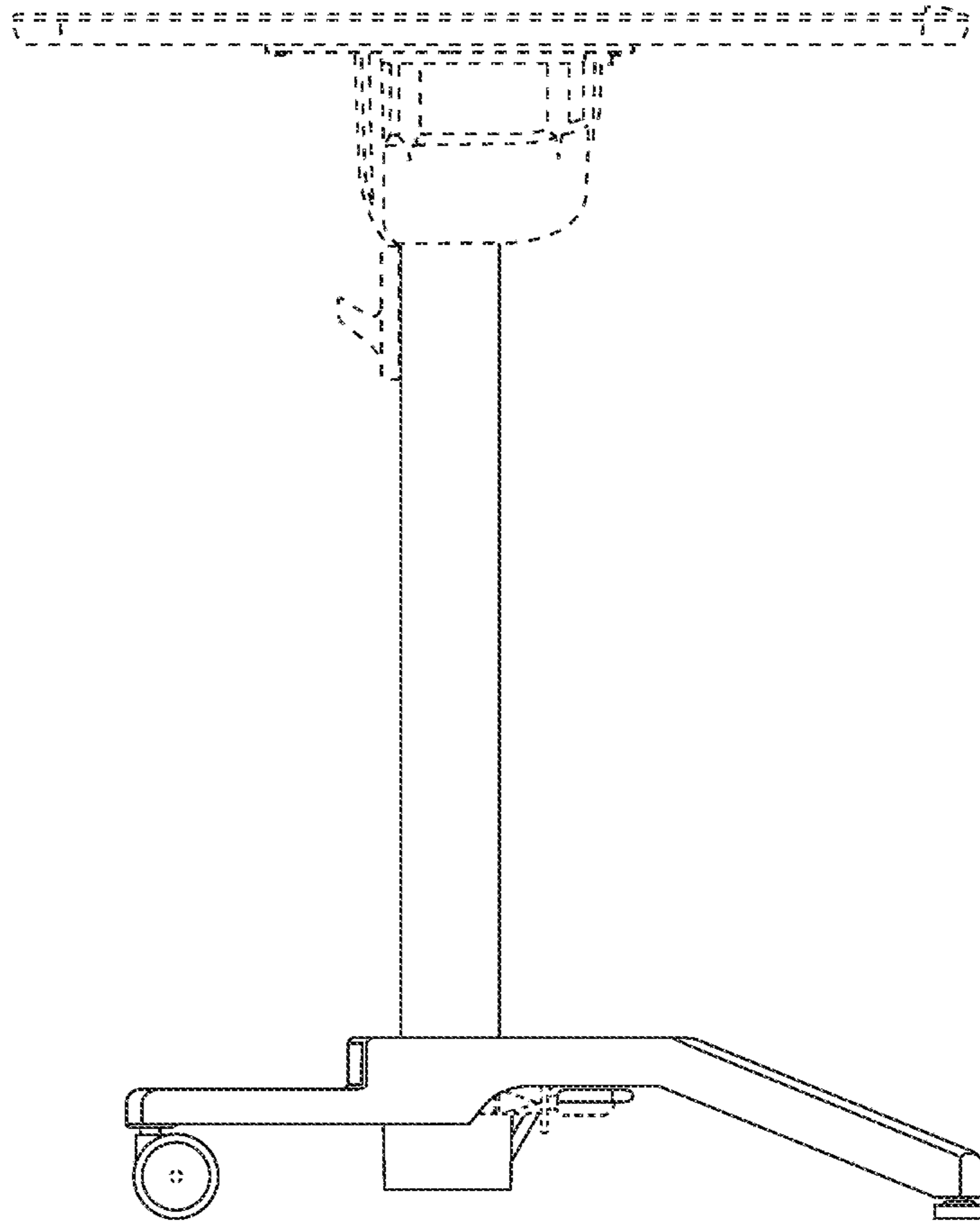


FIG. 3

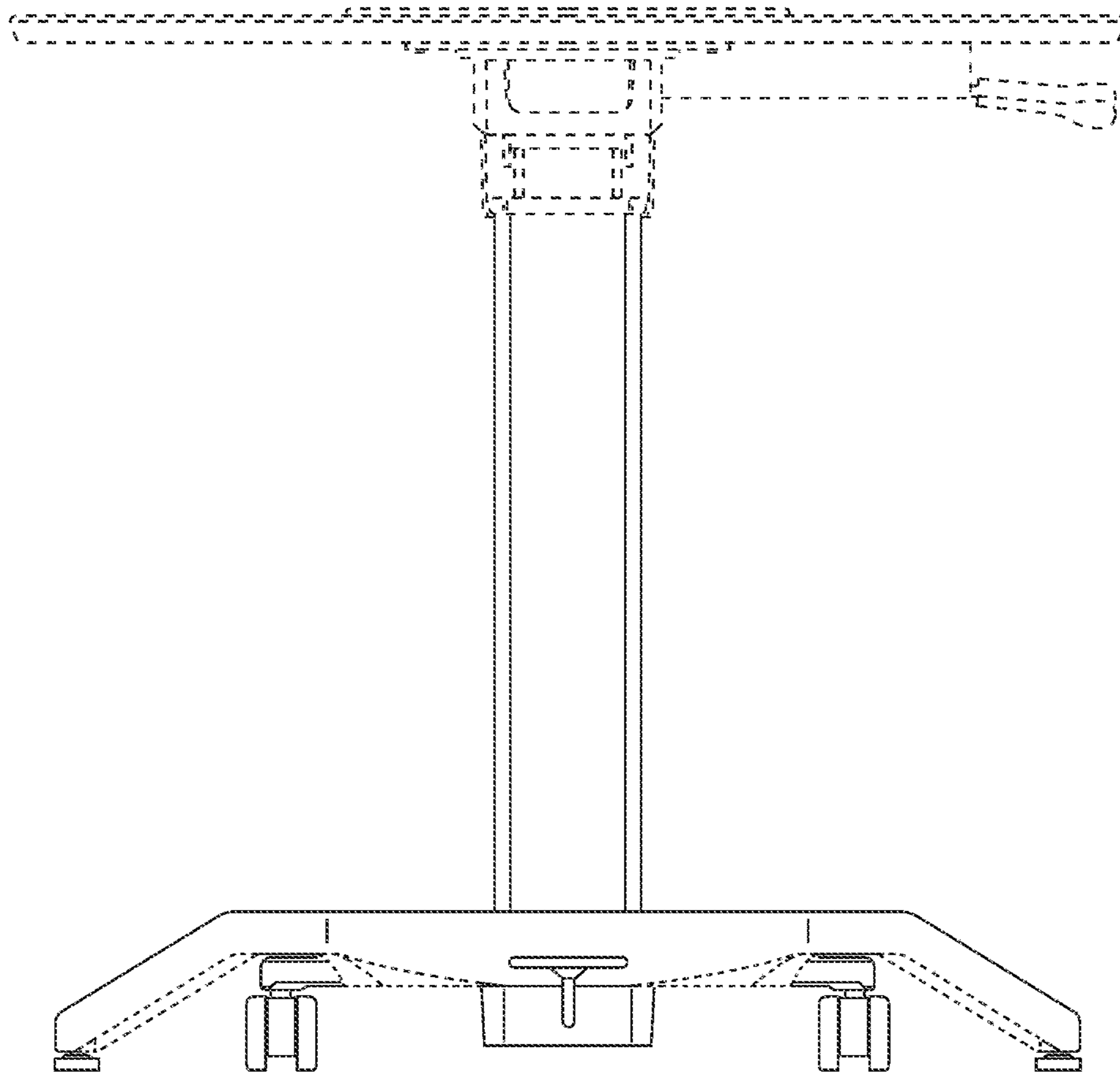


FIG. 4

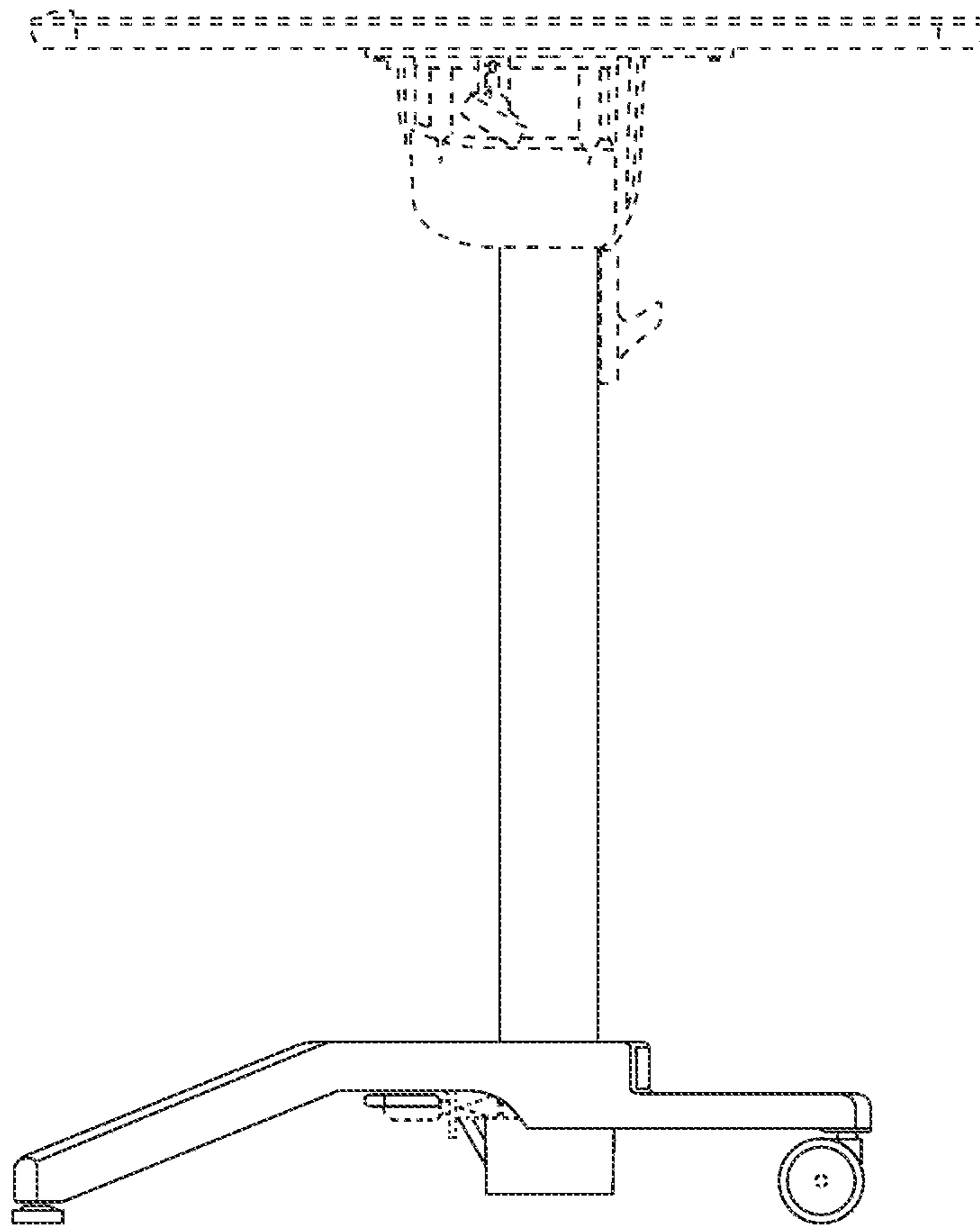


FIG. 5



FIG. 6

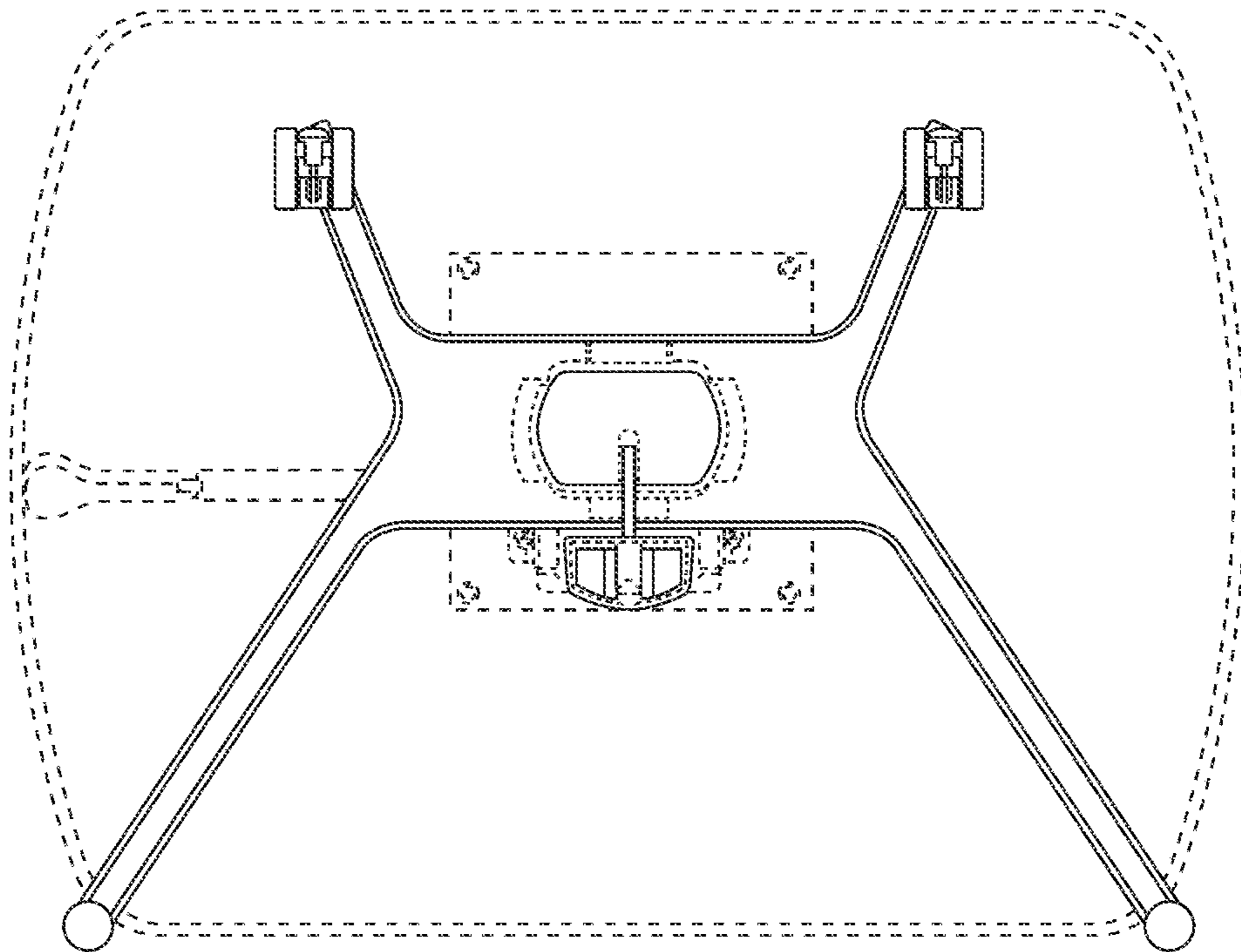


FIG. 7