



US00D921407S

(12) **United States Design Patent**
Leng

(10) **Patent No.:** **US D921,407 S**
(45) **Date of Patent:** **** Jun. 8, 2021**

(54) **EDGE OF A TABLE TOP**

(71) Applicant: **NEW-TEC INTEGRATION (XIAMEN) CO., LTD**, Fujian (CN)

(72) Inventor: **Luhao Leng**, Fujian (CN)

(73) Assignee: **NEW-TEC INTEGRATION (XIAMEN) CO., LTD**, Fujian (CN)

(**) Term: **15 Years**

(21) Appl. No.: **29/687,480**

(22) Filed: **Apr. 12, 2019**

(30) **Foreign Application Priority Data**

Feb. 15, 2019 (CN) 201910115646.7
(51) **LOC (13) Cl.** **06-06**

(52) **U.S. Cl.**
USPC **D6/707.24**

(58) **Field of Classification Search**

USPC D6/641, 657, 685, 686, 689, 690, 691, D6/691.1, 691.2, 691.3, 691.4, 691.5, D6/691.6, 691.7, 691.8, 691.9, 699, D6/699.1, 699.2, 699.3, 699.4, 699.5, D6/702, 707, 707.15, 707.19, 707.23, D6/707.24, 707.26, 708, 709, 709.17, D6/709.2, 709.21, 709.22, 711; D21/397, D21/783, 799.2

CPC .. A47B 37/00; A47B 3/00; A47B 1/00; A47B 3/06; A47B 3/08; A47B 7/00; A47B 21/00; A47B 23/00; A47B 25/00; A47B 13/08; A47B 3/083; A47B 3/14; A47B 41/00; A47B 17/00; A47B 3/0809; A47B 3/0812; A47B 2013/026; A47B 2200/03; A47B 2200/00; A47B 2003/0821; A47C 3/045

See application file for complete search history.

(56) **References Cited**

U.S. PATENT DOCUMENTS

2,846,283 A 8/1958 Pasewalk
3,115,108 A 12/1963 Craddock

(Continued)

OTHER PUBLICATIONS

Machine Translation of CN 2829461 Y (Year: 2020).

Primary Examiner — Mary Ann Calabrese

Assistant Examiner — Catherine Ho

(74) *Attorney, Agent, or Firm* — Perkins Coie LLP; Kenneth H. Ohriner

(57) **CLAIM**

I claim the ornamental design for an edge of a table top, as shown and described.

DESCRIPTION

FIG. 1 is a top perspective view of the first embodiment of an edge of a table top showing my new design.

FIG. 2 is a fragmentary top perspective cross sectional view along lines 2-2 of FIG. 1.

FIG. 3 is a fragmentary bottom perspective view of the edge of a table top as shown in FIG. 2.

FIG. 4 is side view of the edge of a table top as shown in FIG. 2.

FIG. 5 is a top perspective view of the second embodiment of an edge of a table top showing my new design.

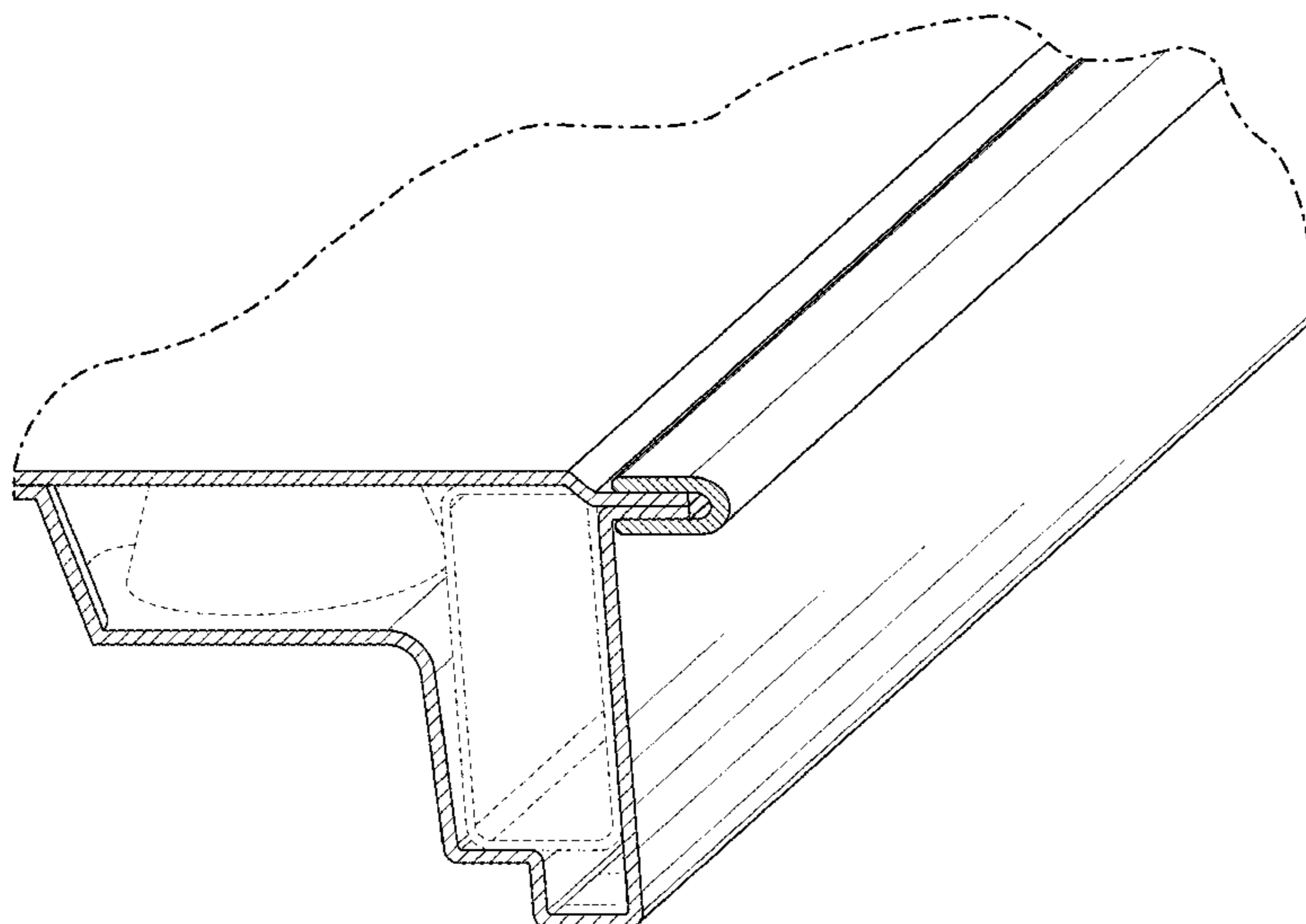
FIG. 6 is a fragmentary top perspective cross sectional view along lines 6-6 of FIG. 5.

FIG. 7 is a fragmentary bottom perspective view of the edge of a table top as shown in FIG. 6; and,

FIG. 8 is side view of the edge of a table top as shown in FIG. 6.

The broken line portion of the figure drawings is included to show portions of the article that forms no part of the claimed design. The dash-dot broken line portion of the figure drawings define the bounds of the claimed design and form no part thereof.

1 Claim, 8 Drawing Sheets



(56)

References Cited

U.S. PATENT DOCUMENTS

3,439,634 A	4/1969	Bender		8,757,069 B2 *	6/2014	Peery	A47B 3/0912
5,947,037 A	9/1999	Hornberger						108/132
6,214,436 B1 *	4/2001	Catta	8,943,982 B2 *	2/2015	Peery	A47B 3/002
								108/91
7,178,471 B2 *	2/2007	Strong	D727,074 S *	4/2015	Johnson	D6/707.24
				8,997,663 B2 *	4/2015	Peery	A47B 3/00
								108/132
8,033,228 B2 *	10/2011	Haney	9,138,050 B2 *	9/2015	Peery	A47B 3/091
				9,192,229 B2 *	11/2015	Peery	A47B 13/08
D658,912 S *	5/2012	Winter	9,504,314 B2	11/2016	Leng		
				9,549,612 B2 *	1/2017	Peery	A47B 87/02
D659,450 S *	5/2012	Winter	9,661,916 B2 *	5/2017	Peery	A47B 3/002
				9,808,081 B2	11/2017	Leng		
D662,738 S *	7/2012	Winter	9,867,458 B2	1/2018	Leng		
				10,092,091 B1	10/2018	Wang		
D667,659 S *	9/2012	Winter	2005/0284562 A1	12/2005	Frantz		
				2009/0324872 A1	12/2009	Leng		
8,397,652 B2 *	3/2013	Peery	2013/0025507 A1 *	1/2013	Jin	A47B 3/087
								108/129
8,408,146 B2 *	4/2013	Peery	2013/0025508 A1	1/2013	Leng		
				2014/0037910 A1	2/2014	Leng		
D696,882 S *	1/2014	Clegg	2016/0051049 A1	2/2016	Peery		
				2018/0064242 A1	3/2018	Tsai		
				2019/0021484 A1	1/2019	Leng		

* cited by examiner

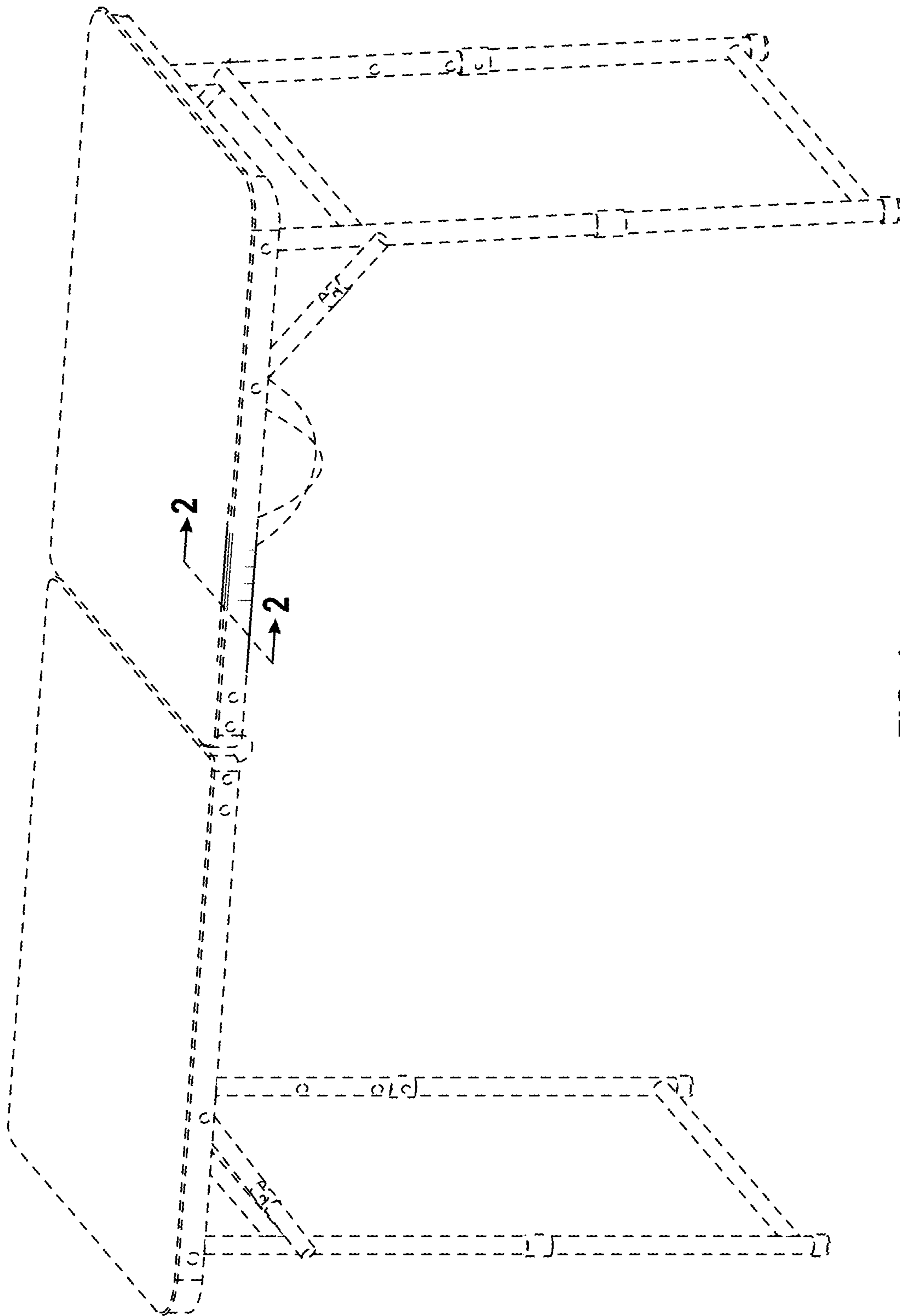


FIG. 1

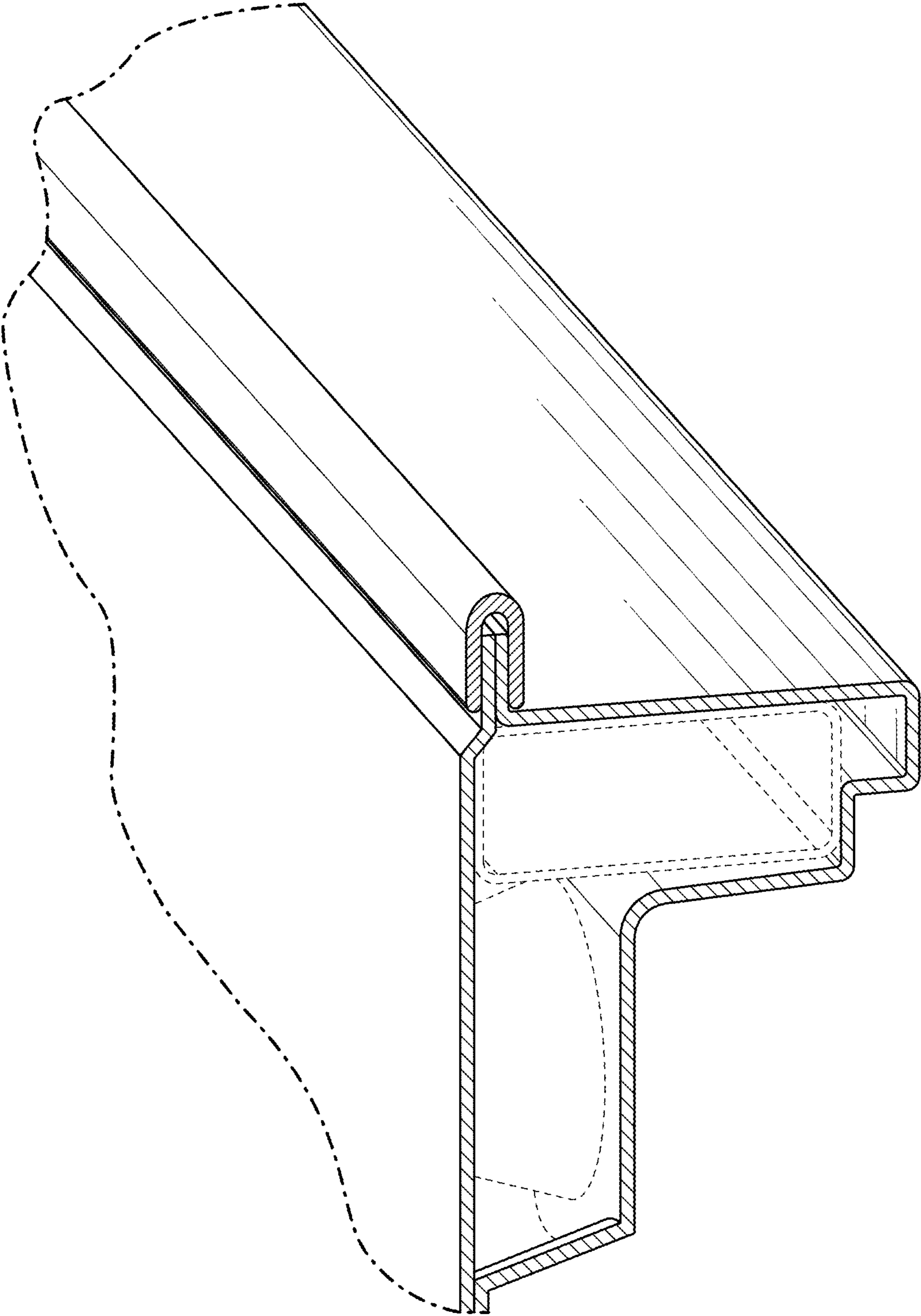


FIG. 2

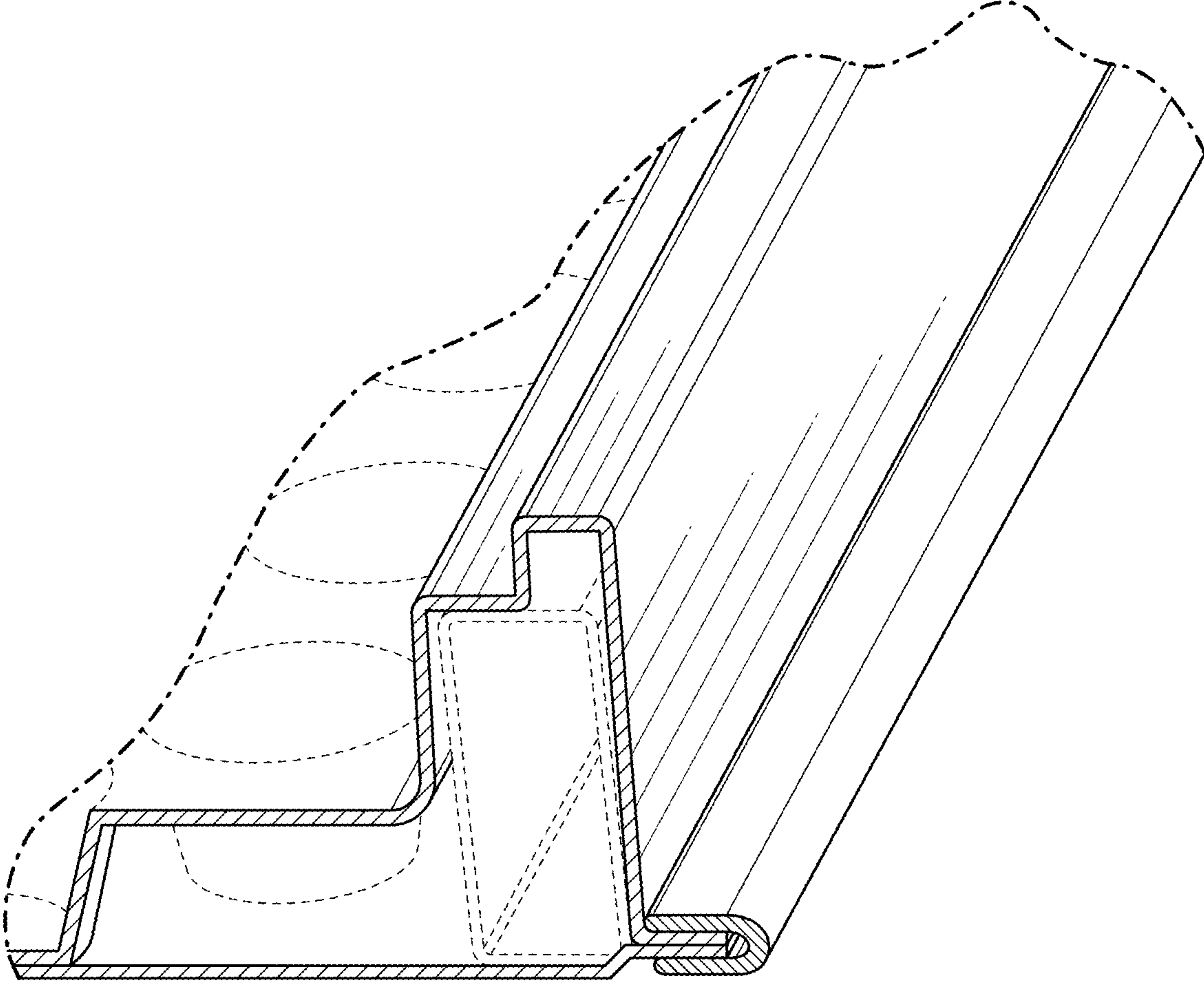


FIG. 3

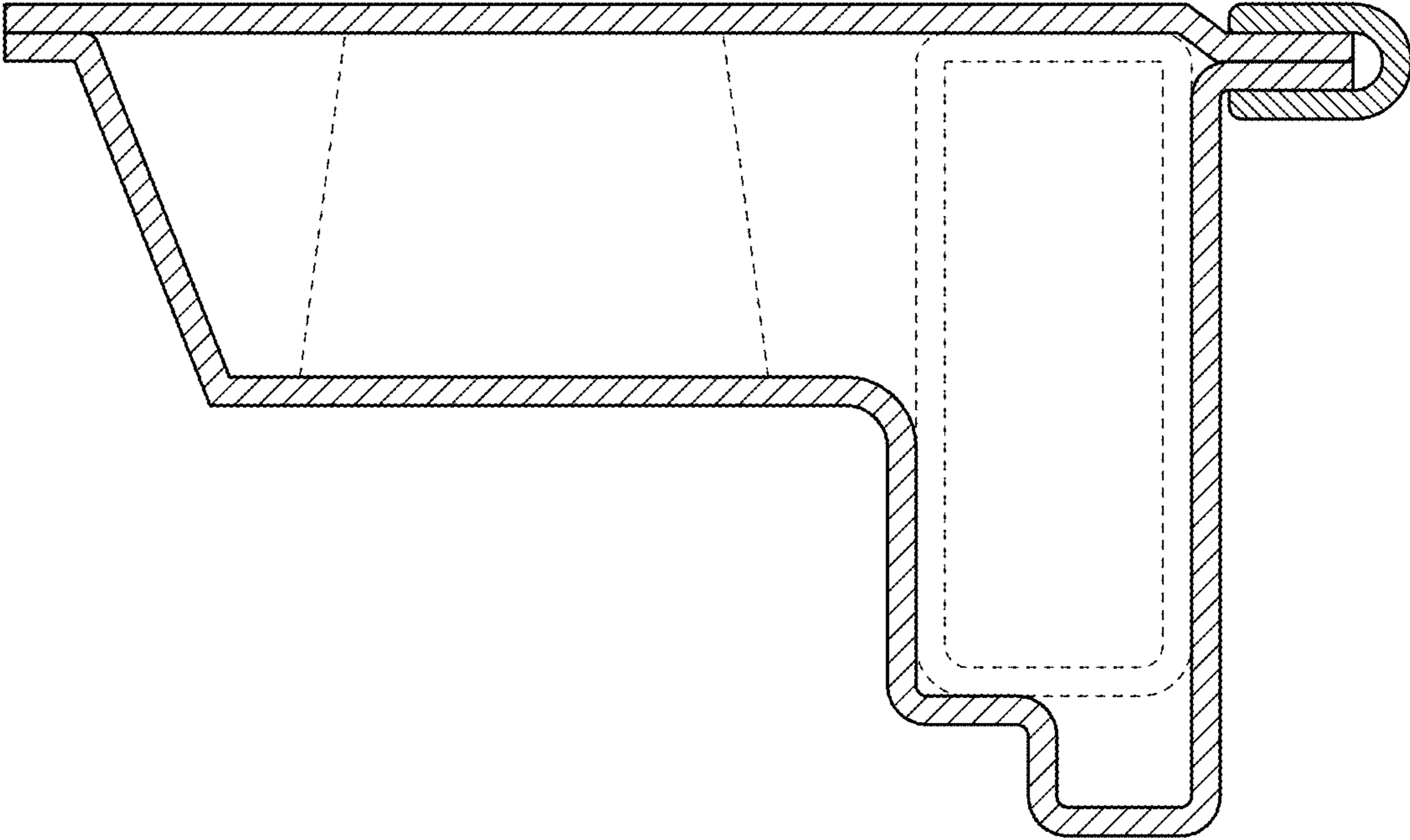


FIG. 4

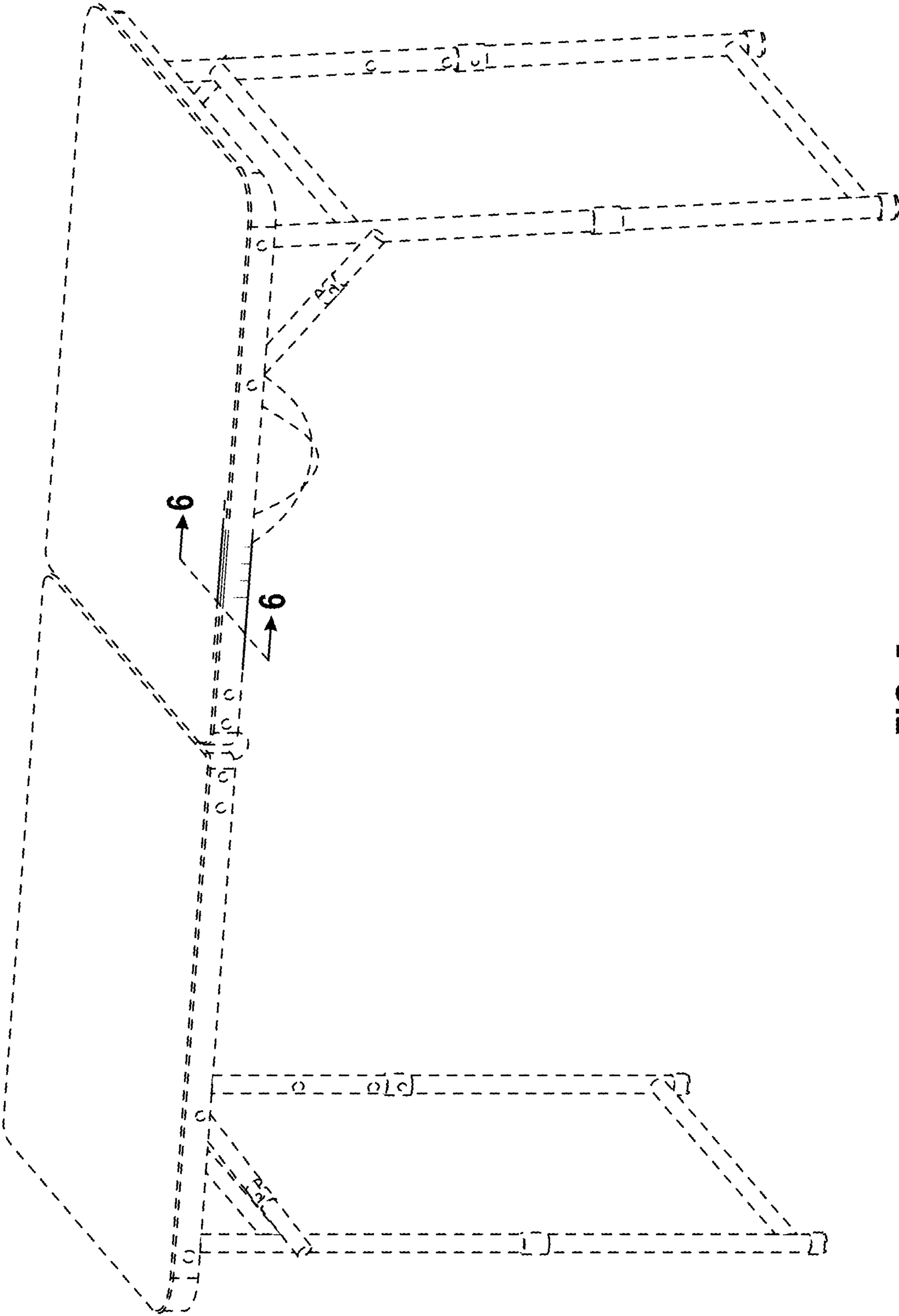


FIG. 5

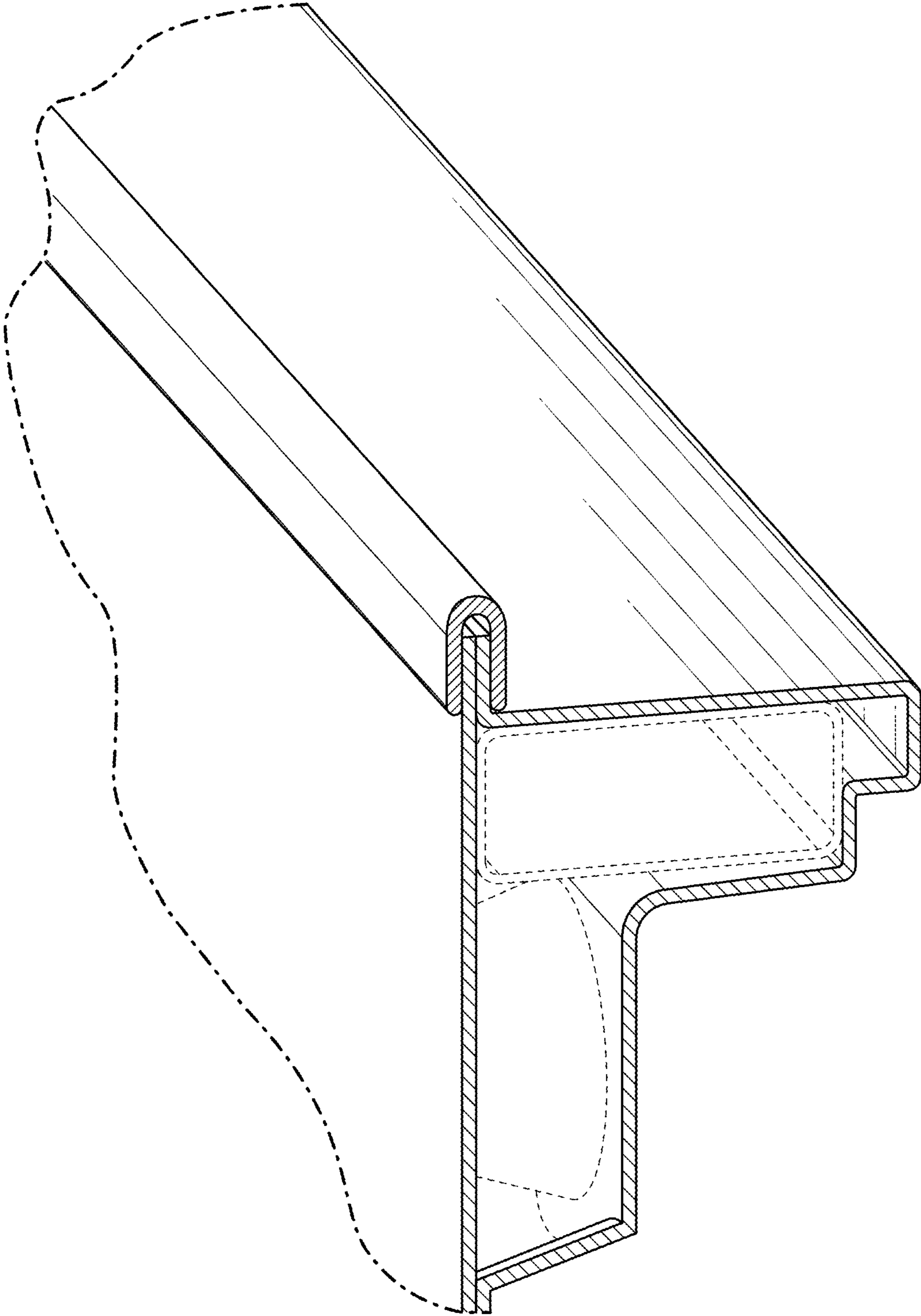


FIG. 6

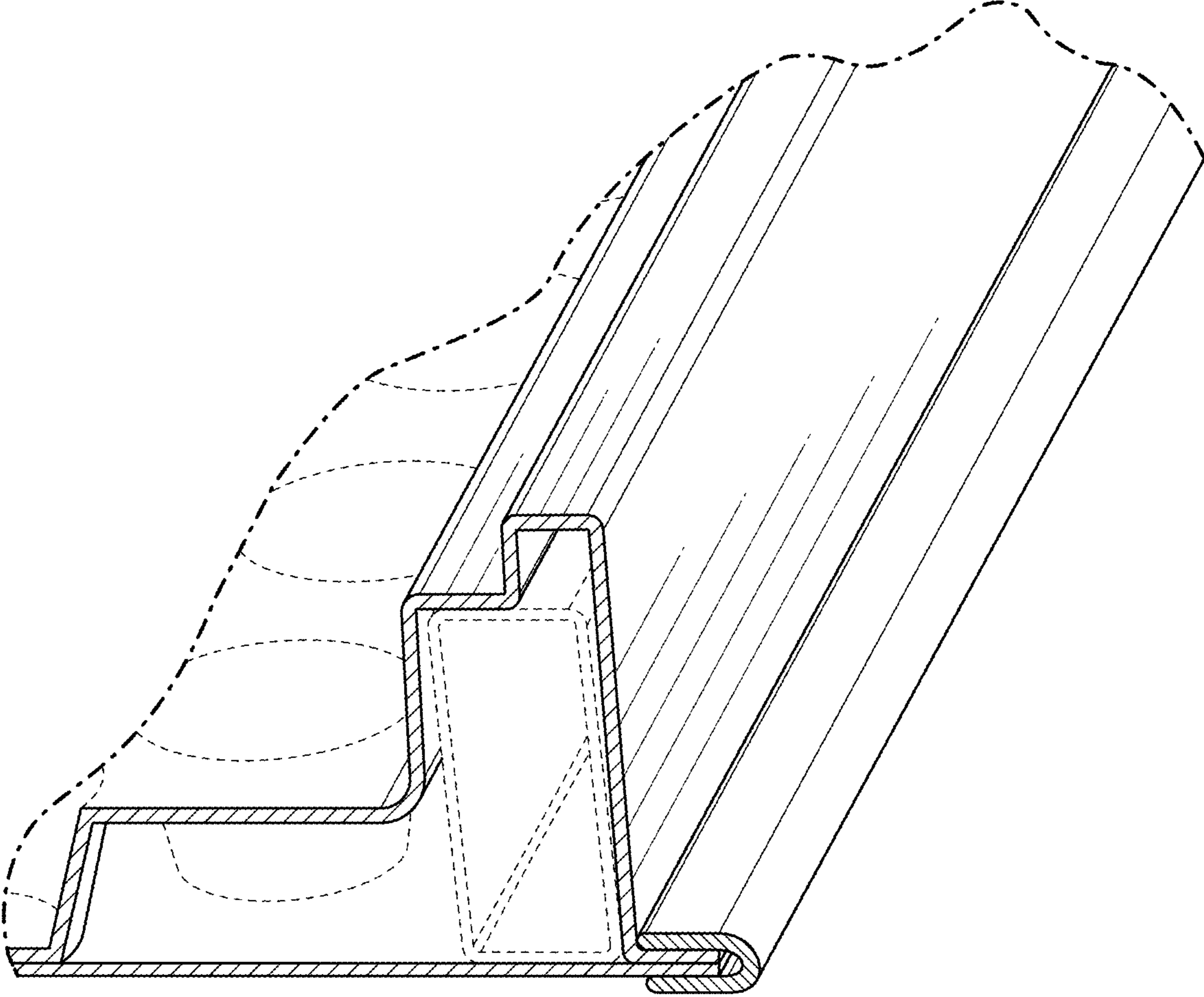


FIG. 7

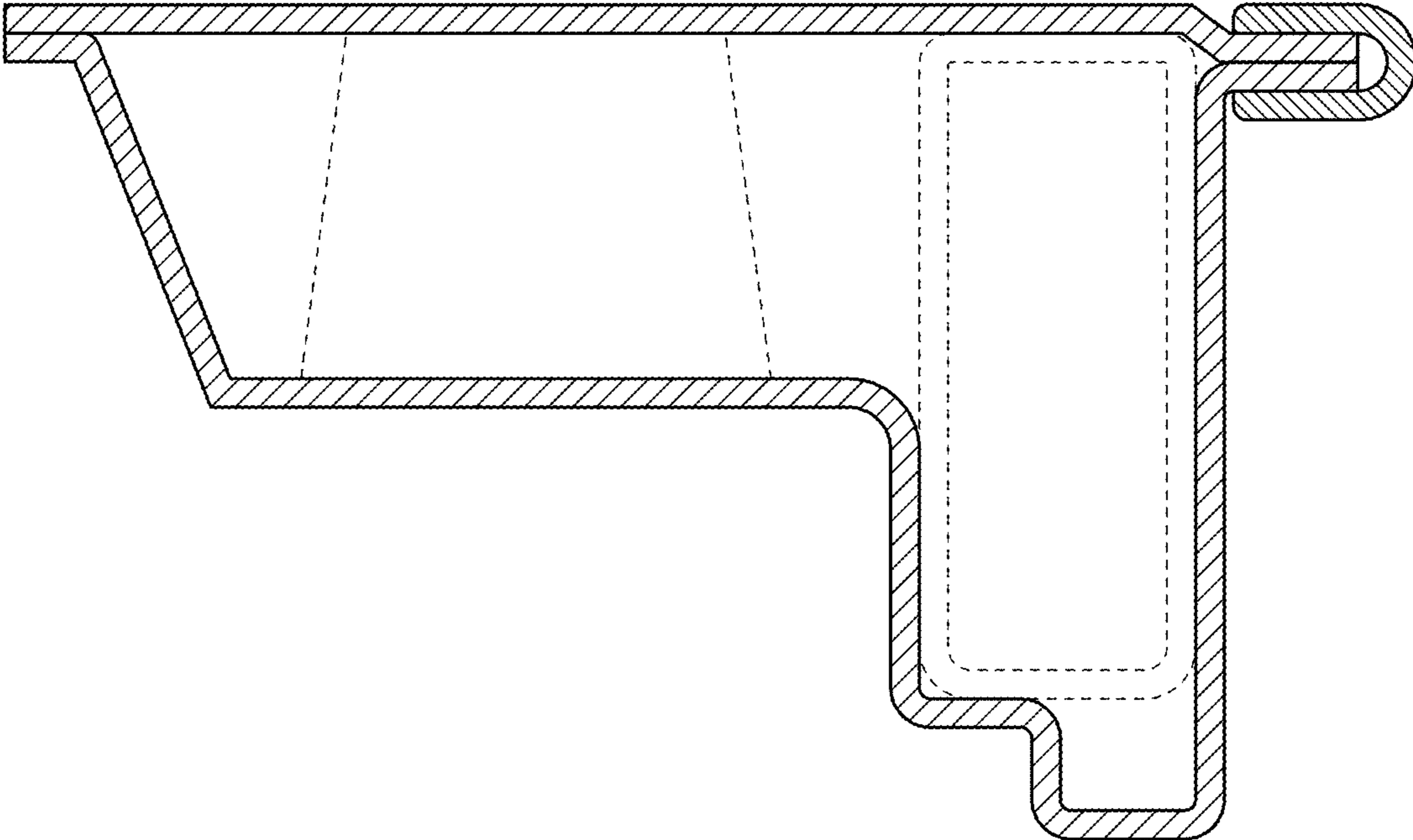


FIG. 8