



US00D921406S

(12) **United States Design Patent** (10) **Patent No.:** **US D921,406 S**
Leng (45) **Date of Patent:** **** Jun. 8, 2021**

(54) **EDGE OF A TABLE TOP**

OTHER PUBLICATIONS

(71) Applicant: **NEW-TEC INTEGRATION (XIAMEN) CO., LTD**, Fujian (CN)

U.S. Appl. No. 16/397,129, Pending.
U.S. Appl. No. 29/687,480, Pending.

(72) Inventor: **Luhao Leng**, Fujian (CN)

Primary Examiner — Mary Ann Calabrese
Assistant Examiner — Catherine Ho

(73) Assignee: **NEW-TEC INTEGRATION (XIAMEN) CO., LTD**, Fujian (CN)

(74) *Attorney, Agent, or Firm* — Perkins Coie LLP;
Kenneth H. Ohriner

(**) Term: **15 Years**

(21) Appl. No.: **29/687,475**

(57) **CLAIM**

(22) Filed: **Apr. 12, 2019**

The ornamental design for the edge of a table top, as shown and described.

(51) **LOC (13) Cl.** **06-06**

(52) **U.S. Cl.**
USPC **D6/707.24**

(58) **Field of Classification Search**

USPC D6/641, 657, 685, 686, 689, 690, 691, D6/691.1, 691.2, 691.3, 691.4, 691.5, D6/691.6, 691.7, 691.8, 691.9, 699, D6/699.1, 699.2, 699.3, 699.4, 699.5, D6/702, 707, 707.15, 707.19, 707.23, D6/707.24, 707.26, 708, 709, 709.17, D6/709.2, 709.21, 709.22, 7, 11; D21/397, 783, 799.2
CPC .. A47B 37/00; A47B 3/00; A47B 1/00; A47B 3/06; A47B 3/08; A47B 7/00; A47B 21/00; A47B 23/00; A47B 25/00; A47B 13/08; A47B 3/083; A47B 3/14; A47B 41/00; A47B 17/00; A47B 3/0809; A47B 3/0812; A47B 2013/026; A47B 2200/03; A47B 2200/00; A47B 2003/0821; A47C 3/045

See application file for complete search history.

DESCRIPTION

FIG. 1 is a top perspective view of the first embodiment of an edge of a table top showing my new design.
FIG. 2 is a fragmentary top perspective cross sectional view along lines 2-2 of FIG. 1.
FIG. 3 is a fragmentary bottom perspective view of the edge of a table top as shown in FIG. 2.
FIG. 4 is side view of the edge of a table top as shown in FIG. 2.
FIG. 5 is a top perspective view of the second embodiment of an edge of a table top showing my new design.
FIG. 6 is a fragmentary top perspective cross sectional view along lines 6-6 of FIG. 5.
FIG. 7 is a fragmentary bottom perspective view of the edge of a table top as shown in FIG. 6; and,
FIG. 8 is side view of the edge of a table top as shown in FIG. 6.

The broken line portion of the figure drawings is included to show portions of the article that forms no part of the claimed design. The dash-dot broken line portion of the figure drawings define the bounds of the claimed design and form no part thereof.

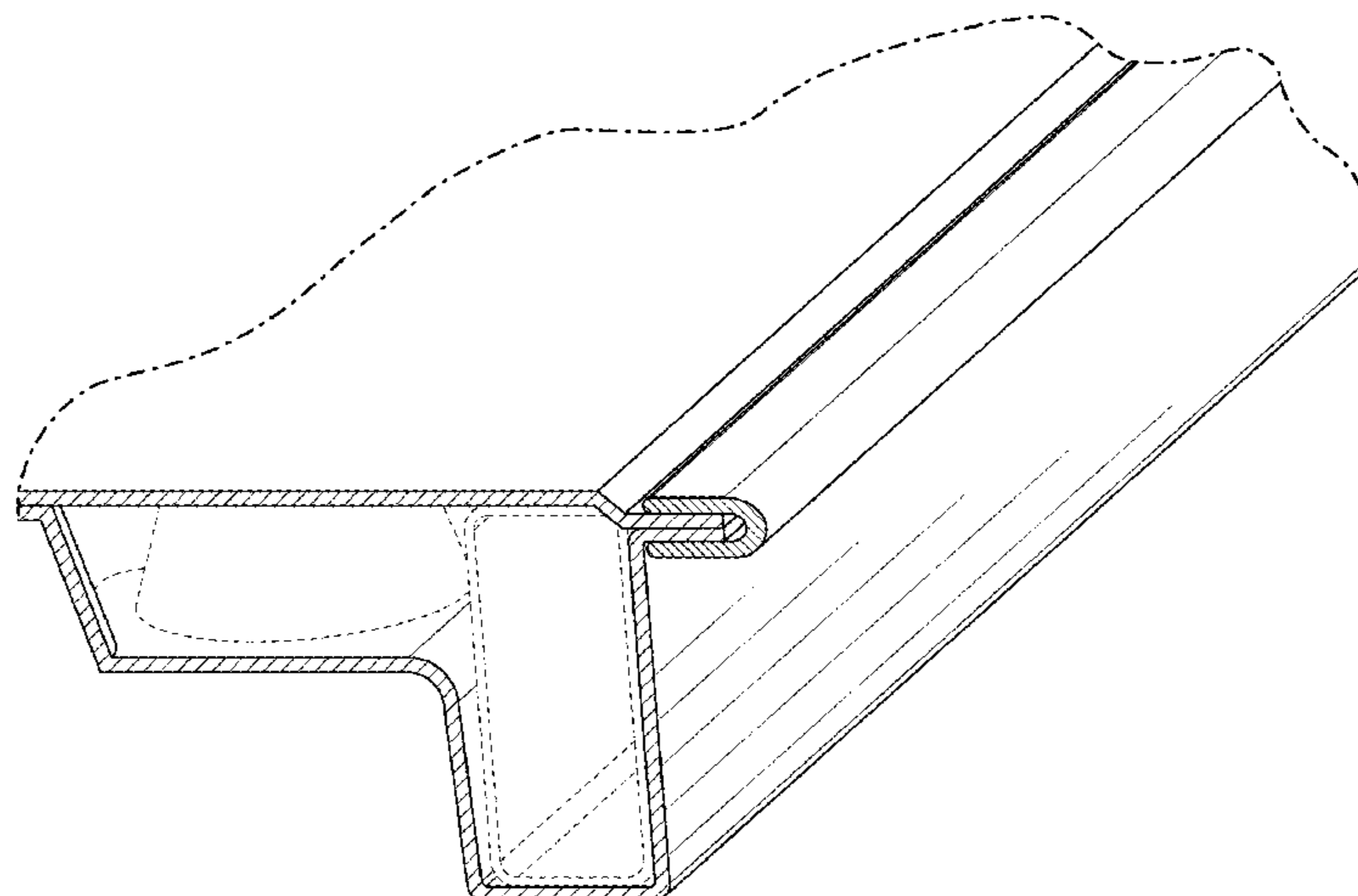
(56) **References Cited**

U.S. PATENT DOCUMENTS

2,846,283 A 8/1958 Pasewalk
3,115,108 A 12/1963 Craddock
3,439,634 A 4/1969 Bender
5,947,037 A 9/1999 Hornberger

(Continued)

1 Claim, 8 Drawing Sheets



US D921,406 S

(56)

References Cited

U.S. PATENT DOCUMENTS

6,214,436 B1 *	4/2001	Catta	A47B 95/043 108/27	8,943,982 B2 *	2/2015	Peery	A47B 3/002 108/91
7,178,471 B2 *	2/2007	Strong	A47B 3/087 108/129	D727,074 S *	4/2015	Johnson	D6/707.24
8,033,228 B2 *	10/2011	Haney	A47B 13/08 108/132	8,997,663 B2 *	4/2015	Peery	A47B 3/00 108/132
D658,912 S *	5/2012	Winter	A47B 3/00 D6/707.24	9,138,050 B2 *	9/2015	Peery	A47B 3/091
D659,450 S *	5/2012	Winter	A47B 3/00 D6/707.24	9,192,229 B2 *	11/2015	Peery	A47B 13/08
D662,738 S *	7/2012	Winter	A47B 3/00 D6/707.24	9,504,314 B2	11/2016	Leng	
D667,659 S *	9/2012	Winter	A47B 3/00 D6/707.22	9,549,612 B2 *	1/2017	Peery	A47B 87/02
8,397,652 B2 *	3/2013	Peery	A47B 3/091 108/91	9,661,916 B2 *	5/2017	Peery	A47B 3/002
8,408,146 B2 *	4/2013	Peery	A47B 7/02 108/132	9,808,081 B2	11/2017	Leng	
D696,882 S *	1/2014	Clegg	D6/707.24	9,867,458 B2	1/2018	Leng	
8,757,069 B2 *	6/2014	Peery	A47B 3/0912 108/132	10,092,091 B1	10/2018	Wang	
				2005/0284562 A1	12/2005	Frantz	
				2009/0324872 A1	12/2009	Leng	
				2013/0025507 A1 *	1/2013	Jin	A47B 3/087 108/129
				2013/0025508 A1	1/2013	Leng	
				2014/0037910 A1	2/2014	Leng	
				2016/0051049 A1	2/2016	Peery	
				2018/0064242 A1	3/2018	Tsai	
				2019/0021484 A1	1/2019	Leng	

* cited by examiner

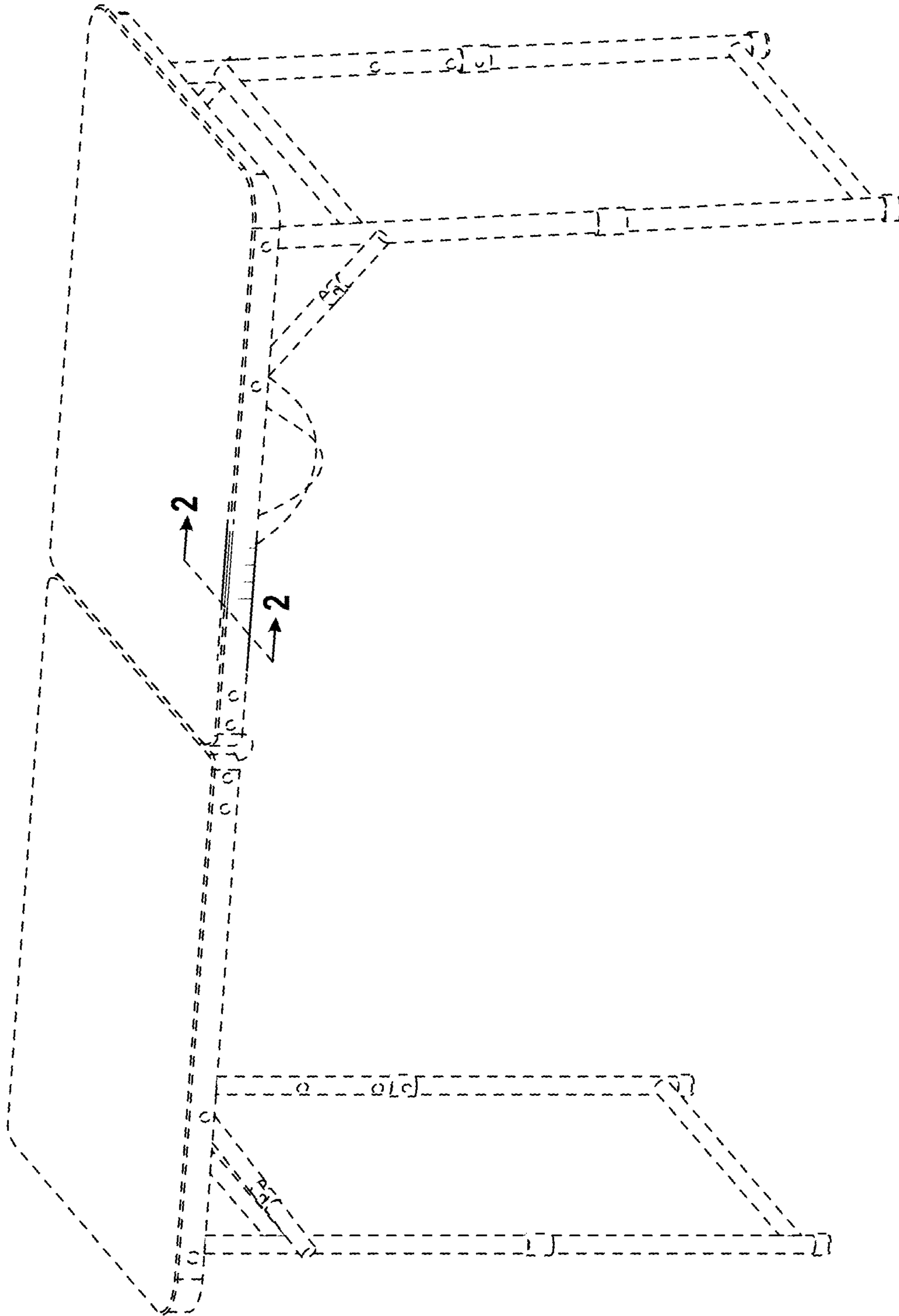


FIG. 1

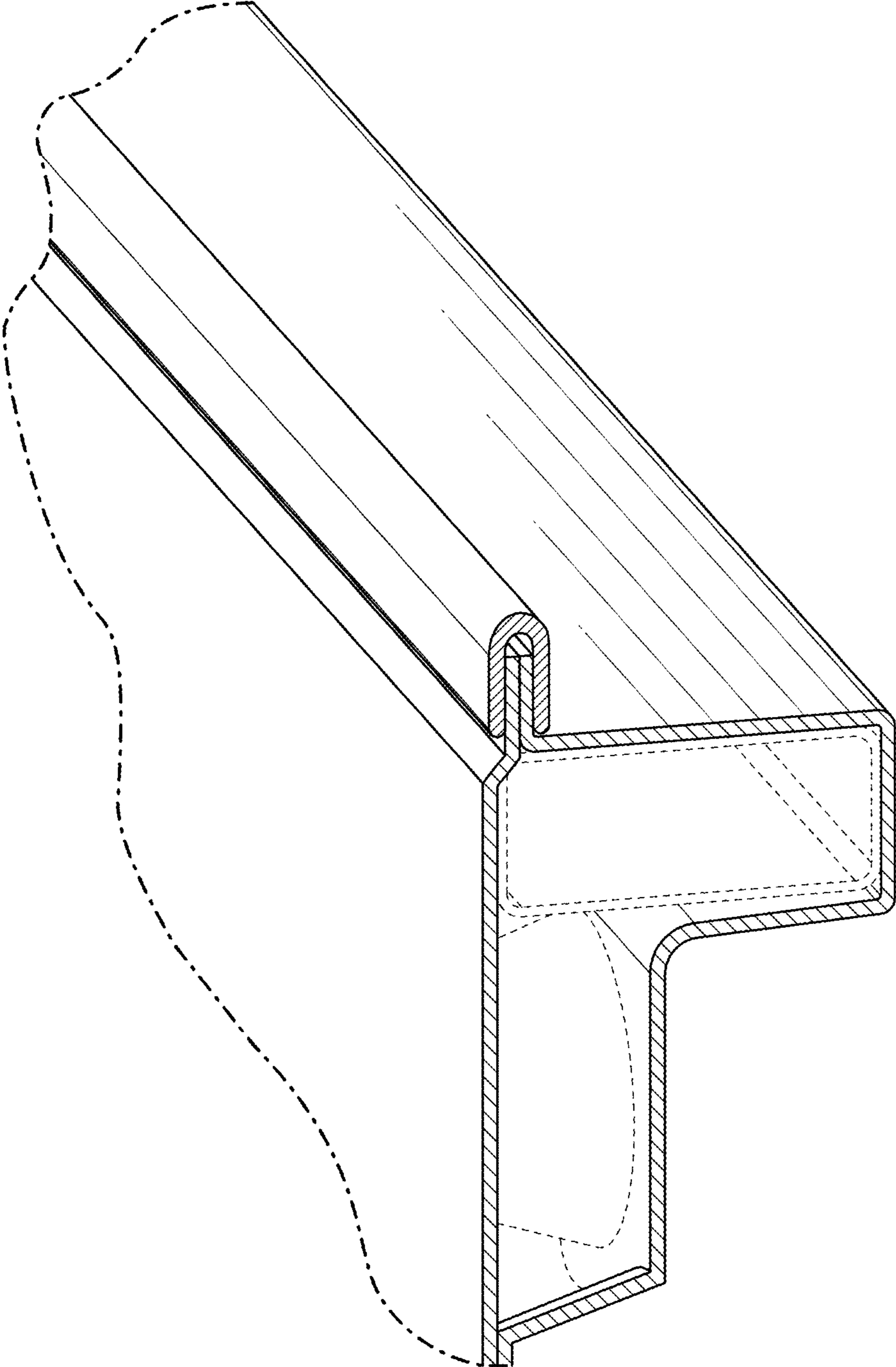


FIG. 2

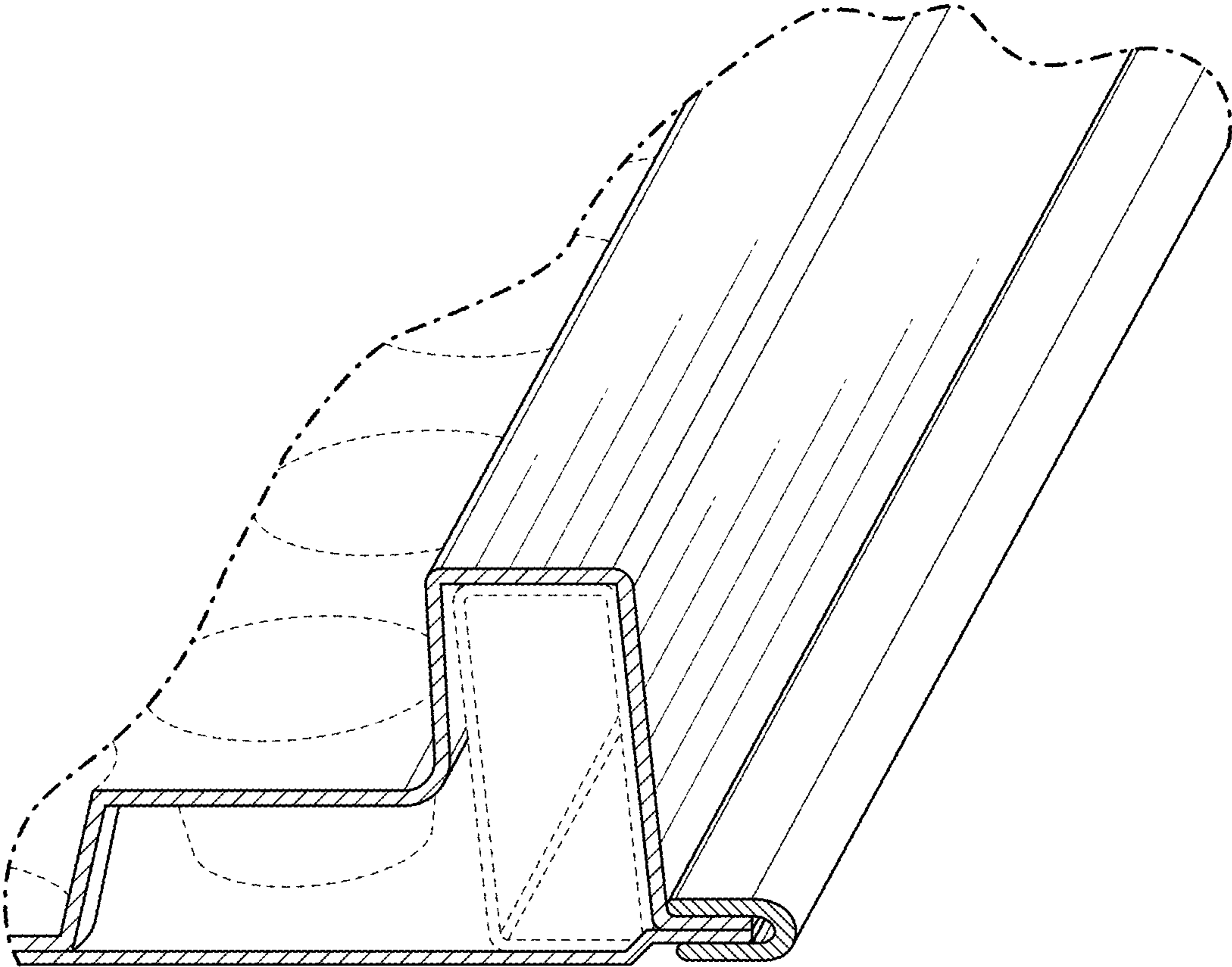


FIG. 3

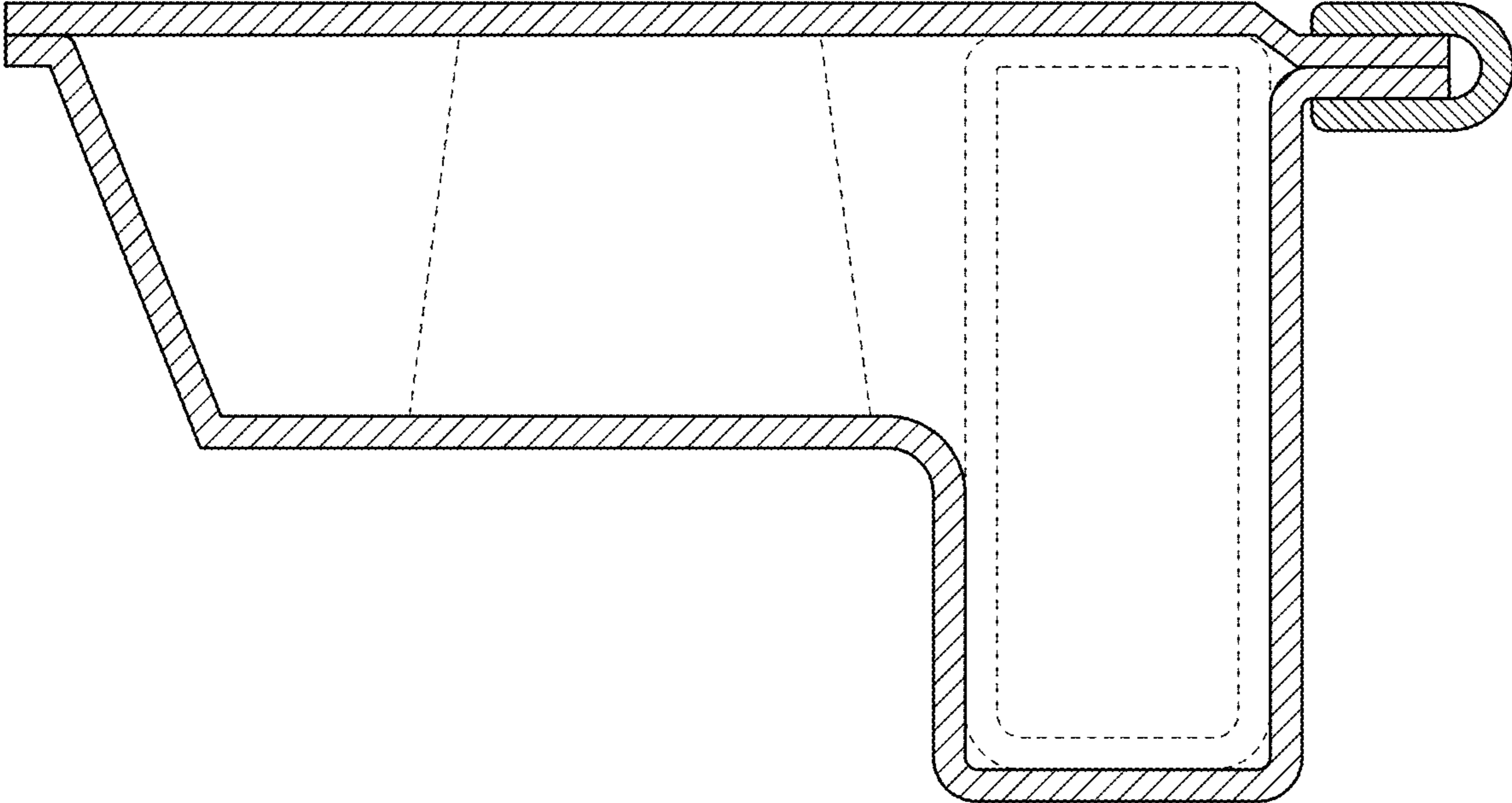
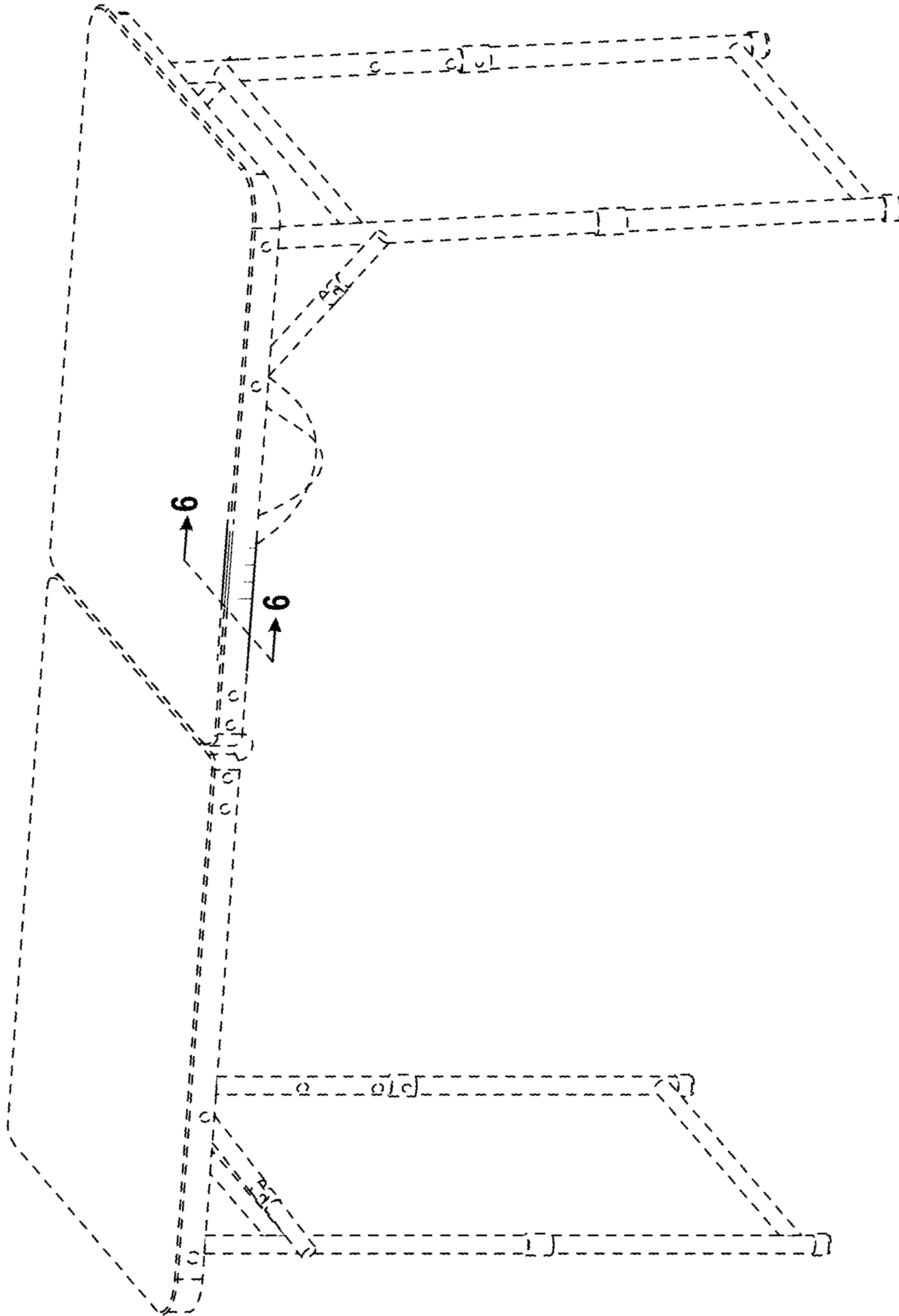


FIG. 4



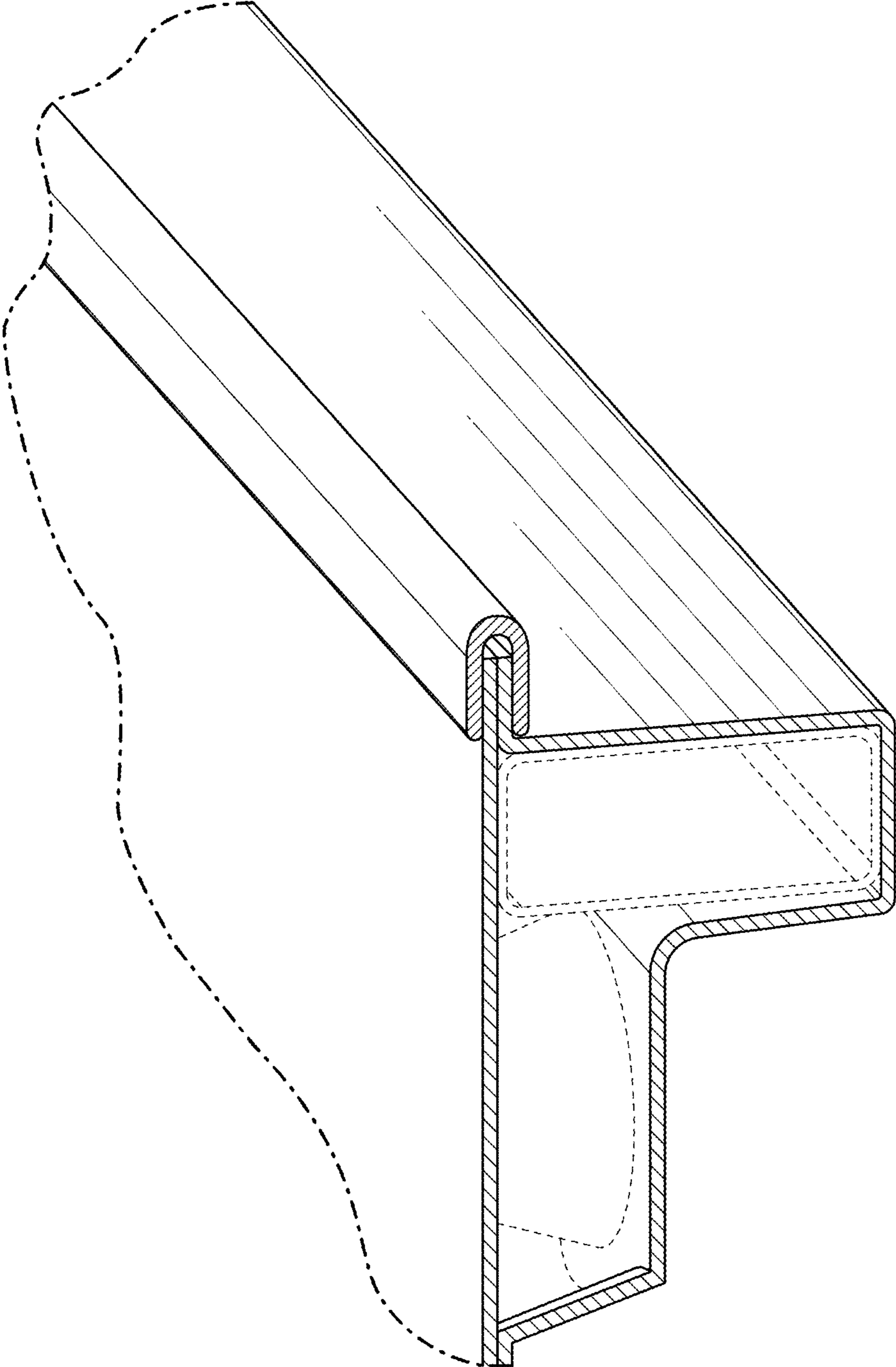


FIG. 6

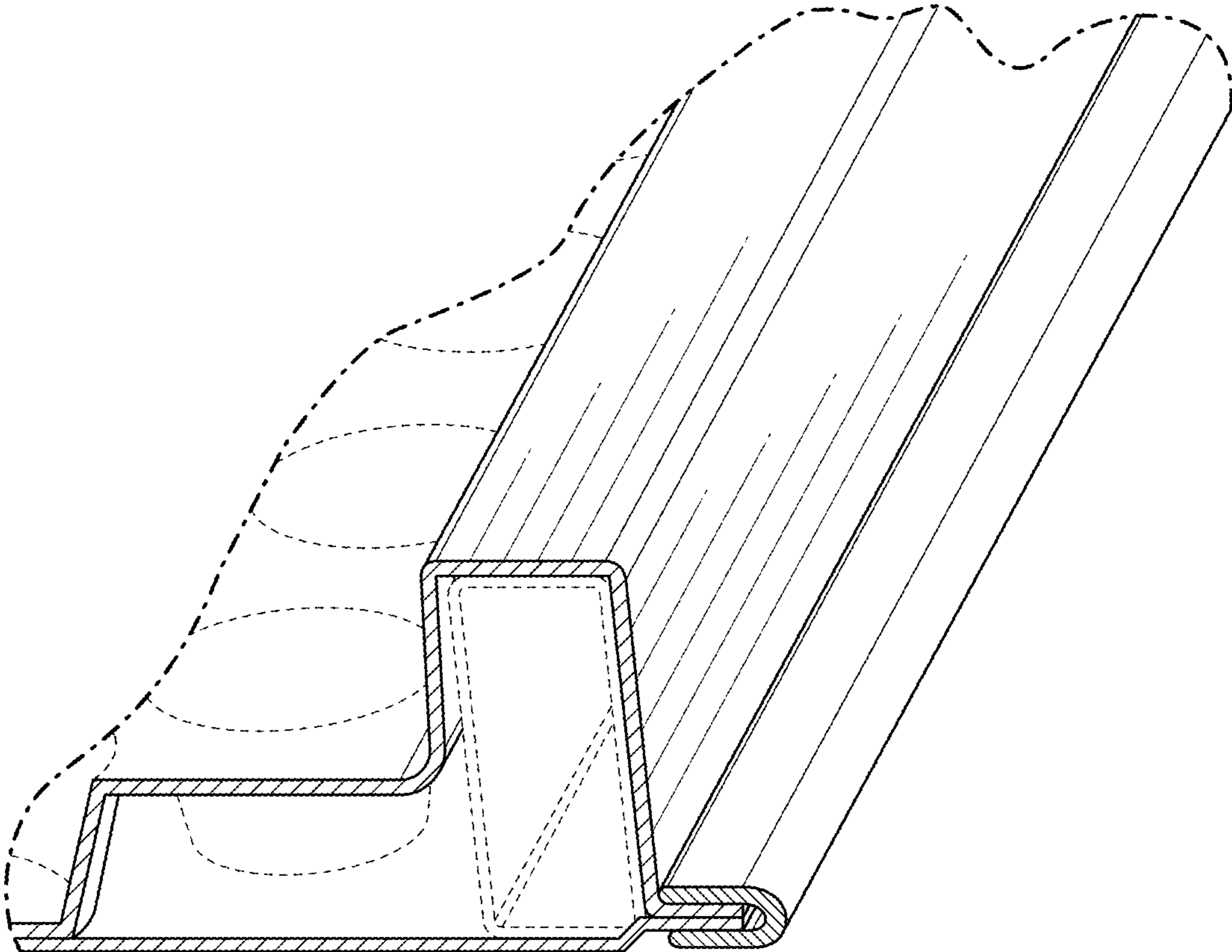


FIG. 7

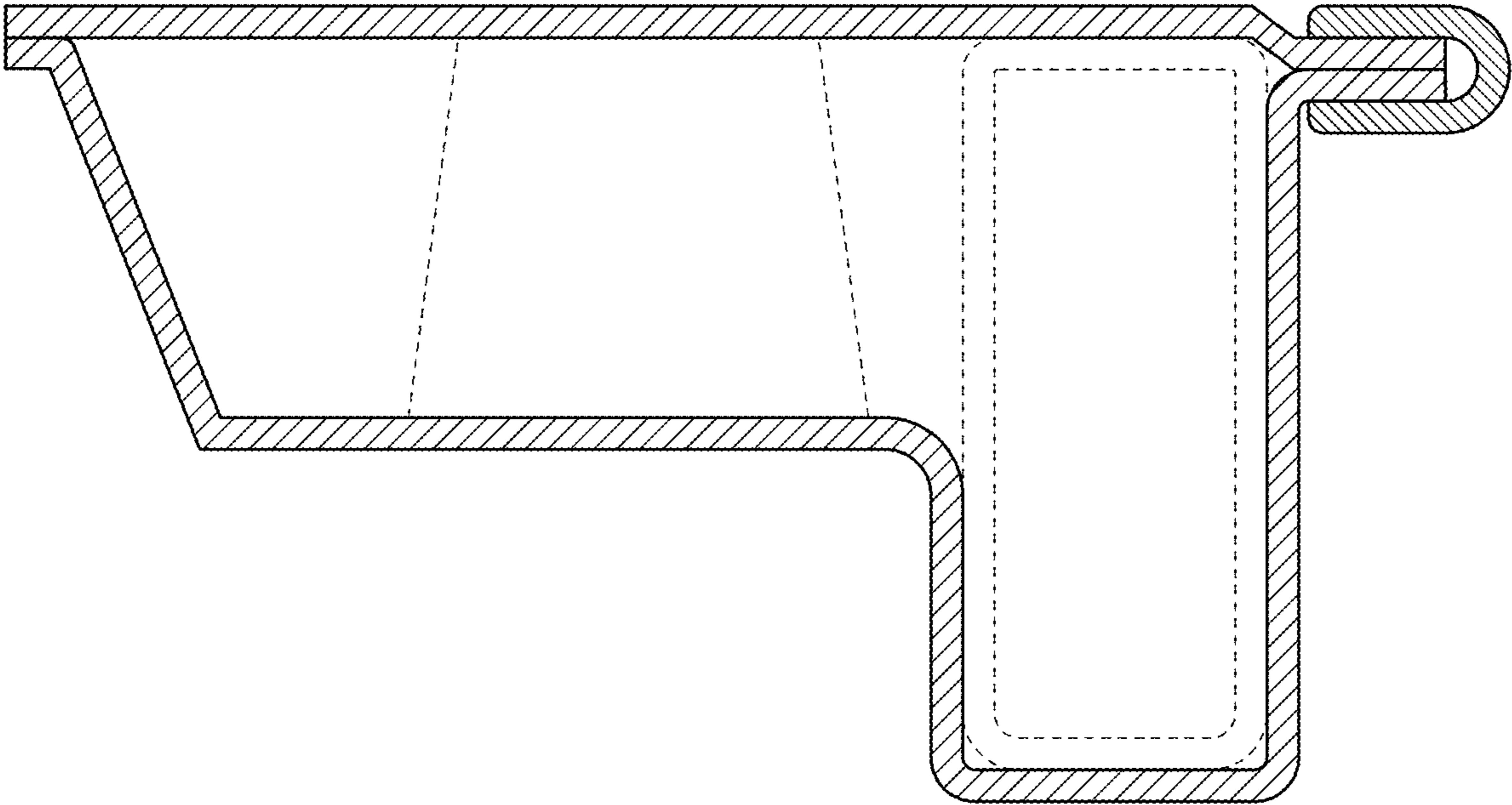


FIG. 8