



US00D921405S

(12) **United States Design Patent**
Roser, Jr.

(10) **Patent No.:** **US D921,405 S**

(45) **Date of Patent:** **** Jun. 8, 2021**

(54) **COFFEE TABLE**

(71) Applicant: **LIBERTY FURNITURE INDUSTRIES, INC.**, Atlanta, GA (US)

(72) Inventor: **John L. Roser, Jr.**, Thomasville, NC (US)

(73) Assignee: **Liberty Furniture Industries, Inc.**, Atlanta, GA (US)

(**) Term: **15 Years**

(21) Appl. No.: **29/701,855**

(22) Filed: **Aug. 15, 2019**

(51) **LOC (13) Cl.** **06-03**

(52) **U.S. Cl.**

USPC **D6/688.13**; D6/691.9

(58) **Field of Classification Search**

USPC D6/349, 685, 686, 688, 688.11–688.13, D6/691, 691.1–691.9, 707, 707.11, 707.19

CPC A47B 7/00; A47B 13/00; A47B 13/02;

A47B 13/04; A47B 13/06; A47B 13/08;

A47B 13/10; A47B 13/12; A47B 21/00;

A47B 2200/0001; A47B 2200/0011;

A47B 2200/002

See application file for complete search history.

(56) **References Cited**

U.S. PATENT DOCUMENTS

D278,294 S * 4/1985 Dau D6/691.9

D298,706 S * 11/1988 Alehin D6/688.12

D367,787 S * 3/1996 VanSkiver D6/349
D388,980 S * 1/1998 Mohundro D6/691.1
D486,983 S * 2/2004 O'Hare D6/691.1
D506,889 S * 7/2005 McDaniel D6/691.1
D530,545 S * 10/2006 Domack D6/691.1
D552,888 S * 10/2007 Everson D6/691.1
D669,704 S * 10/2012 Zambelli D6/657
D686,855 S * 7/2013 James D6/691.1
D869,867 S * 12/2019 Davis D6/349
D905,490 S * 12/2020 Roser, Jr. D6/718.22

* cited by examiner

Primary Examiner — Mary Ann Calabrese

(74) *Attorney, Agent, or Firm* — Tuggle Duggins P.A.;
Blake P. Hurt

(57) **CLAIM**

The ornamental design for a coffee table, as shown and described.

DESCRIPTION

FIG. 1 is a top, front, right side perspective view of a coffee table showing my new design;

FIG. 2 is a bottom, rear, left side perspective view thereof;

FIG. 3 is a top plan view thereof;

FIG. 4 is a bottom plan view thereof;

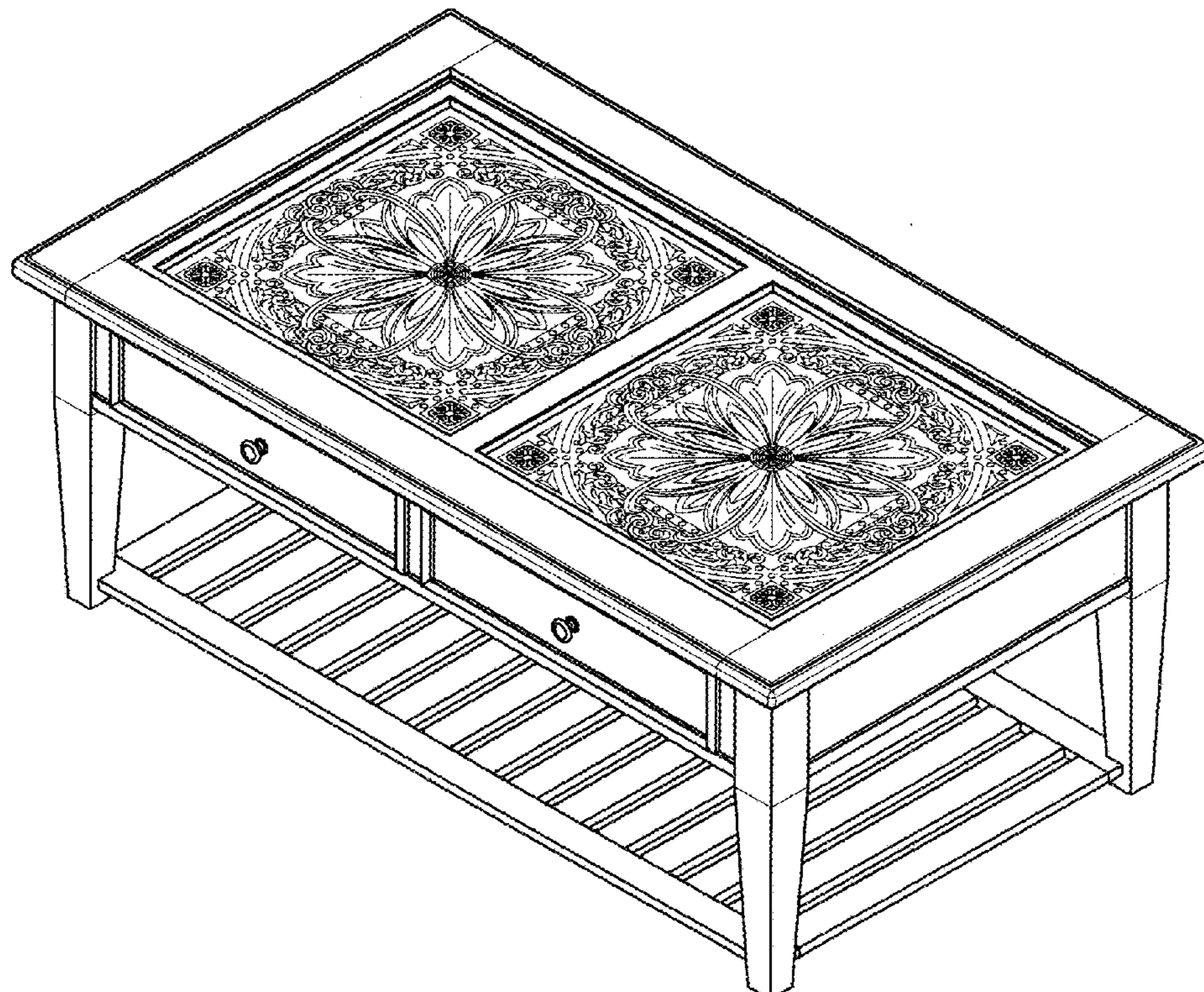
FIG. 5 is a front elevational view thereof;

FIG. 6 is a left side elevational view thereof;

FIG. 7 is a right side elevational view thereof; and,

FIG. 8 is a rear elevational view thereof.

1 Claim, 7 Drawing Sheets



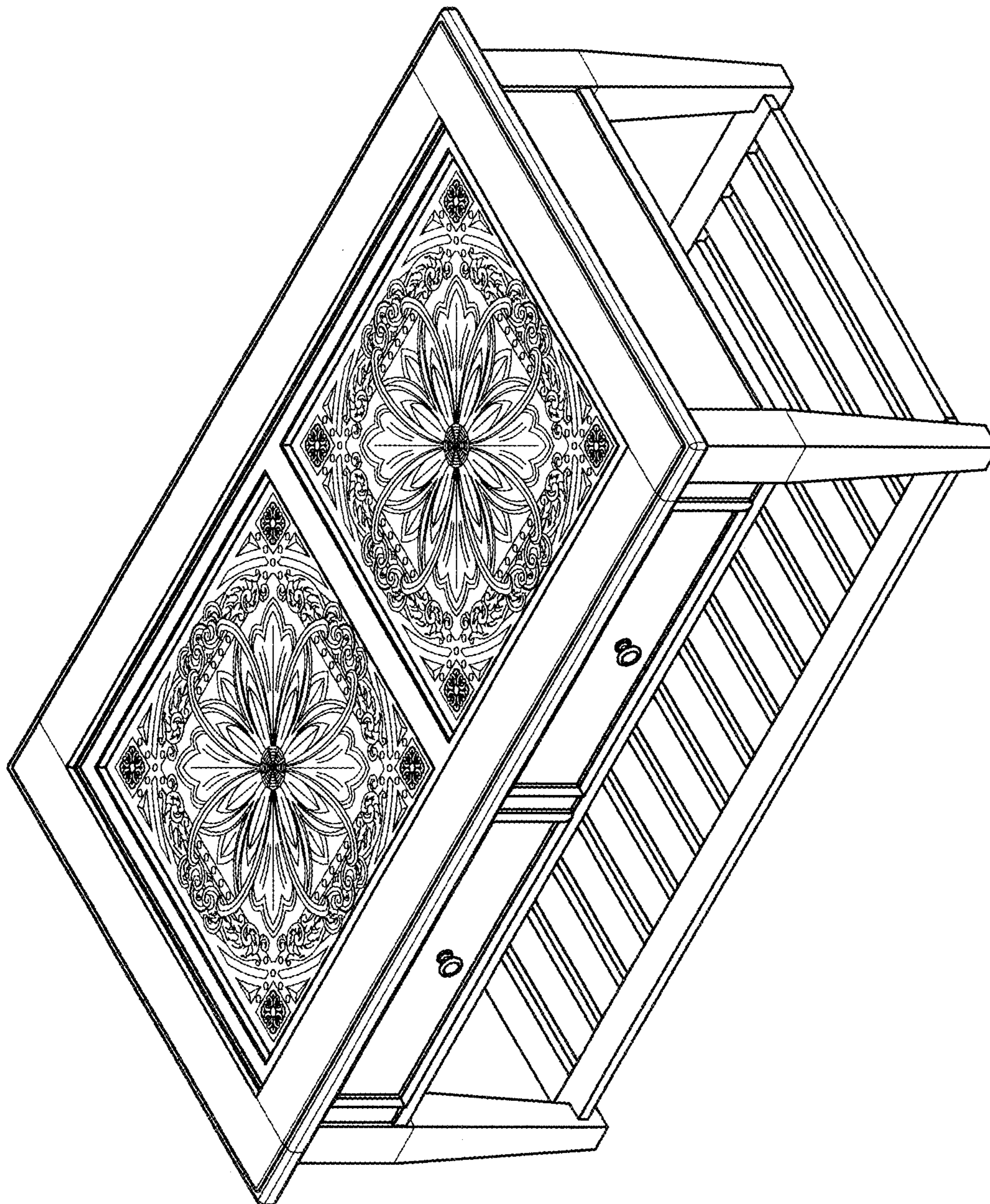


FIG. 1

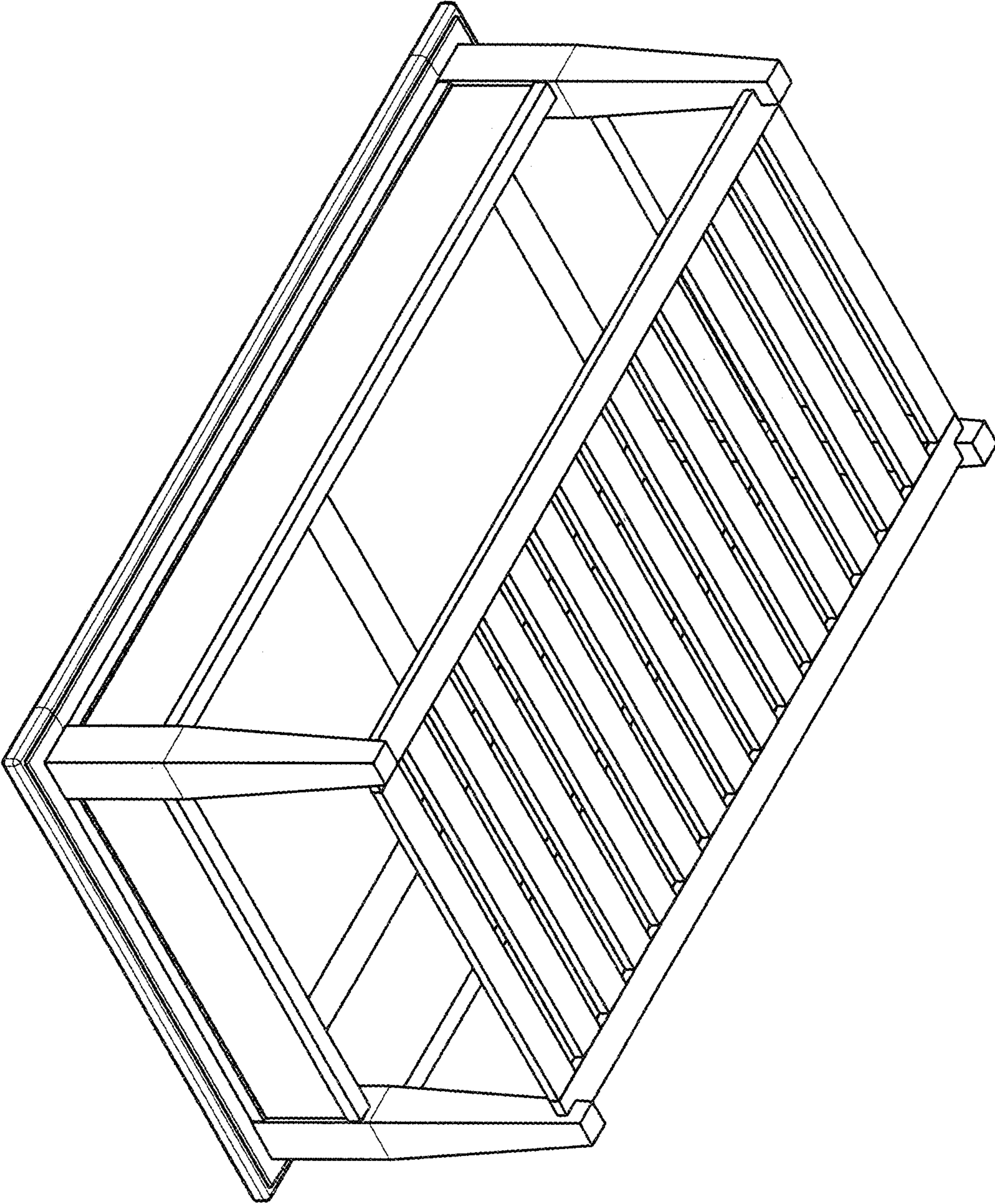


FIG. 2

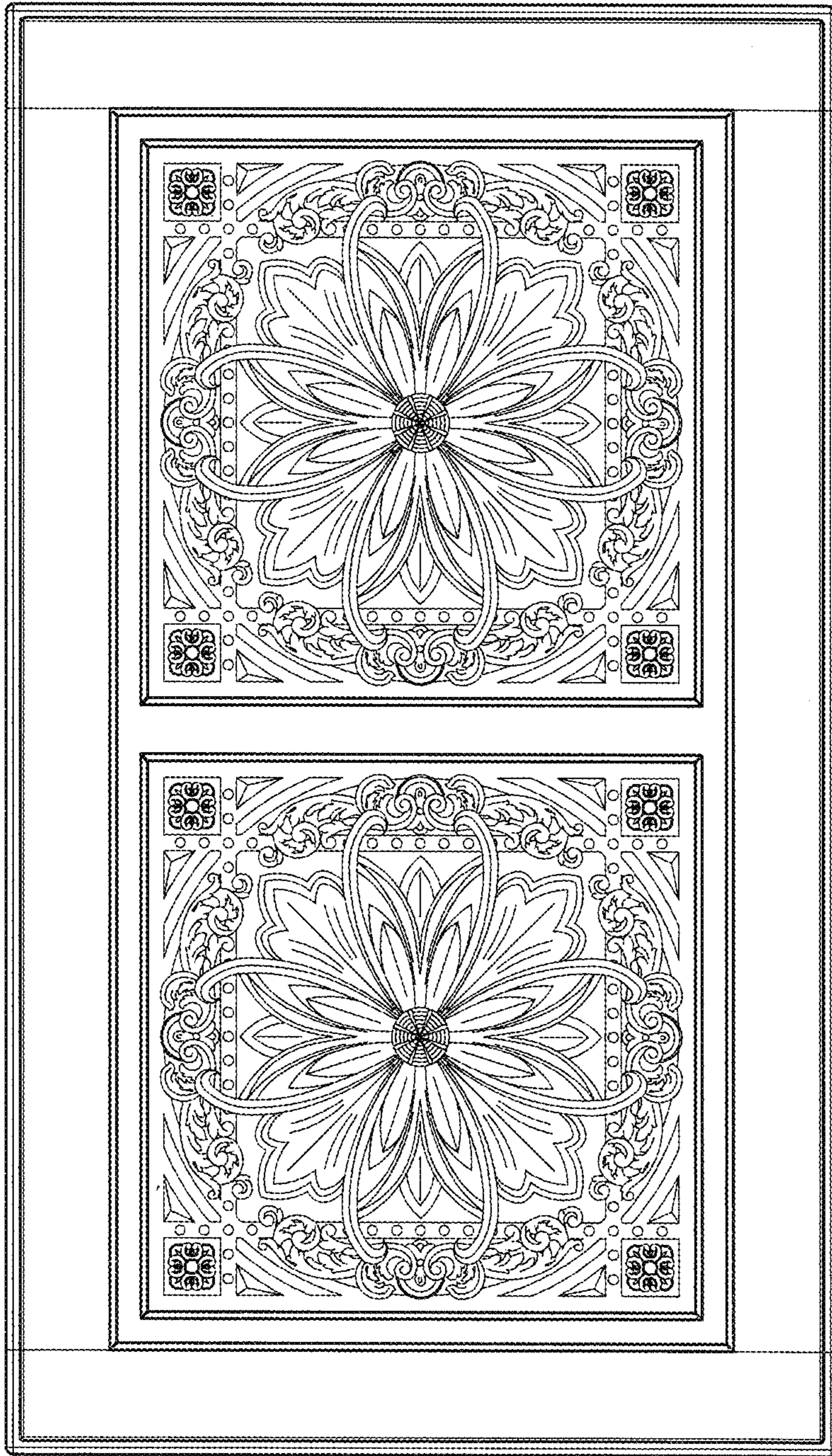


FIG. 3

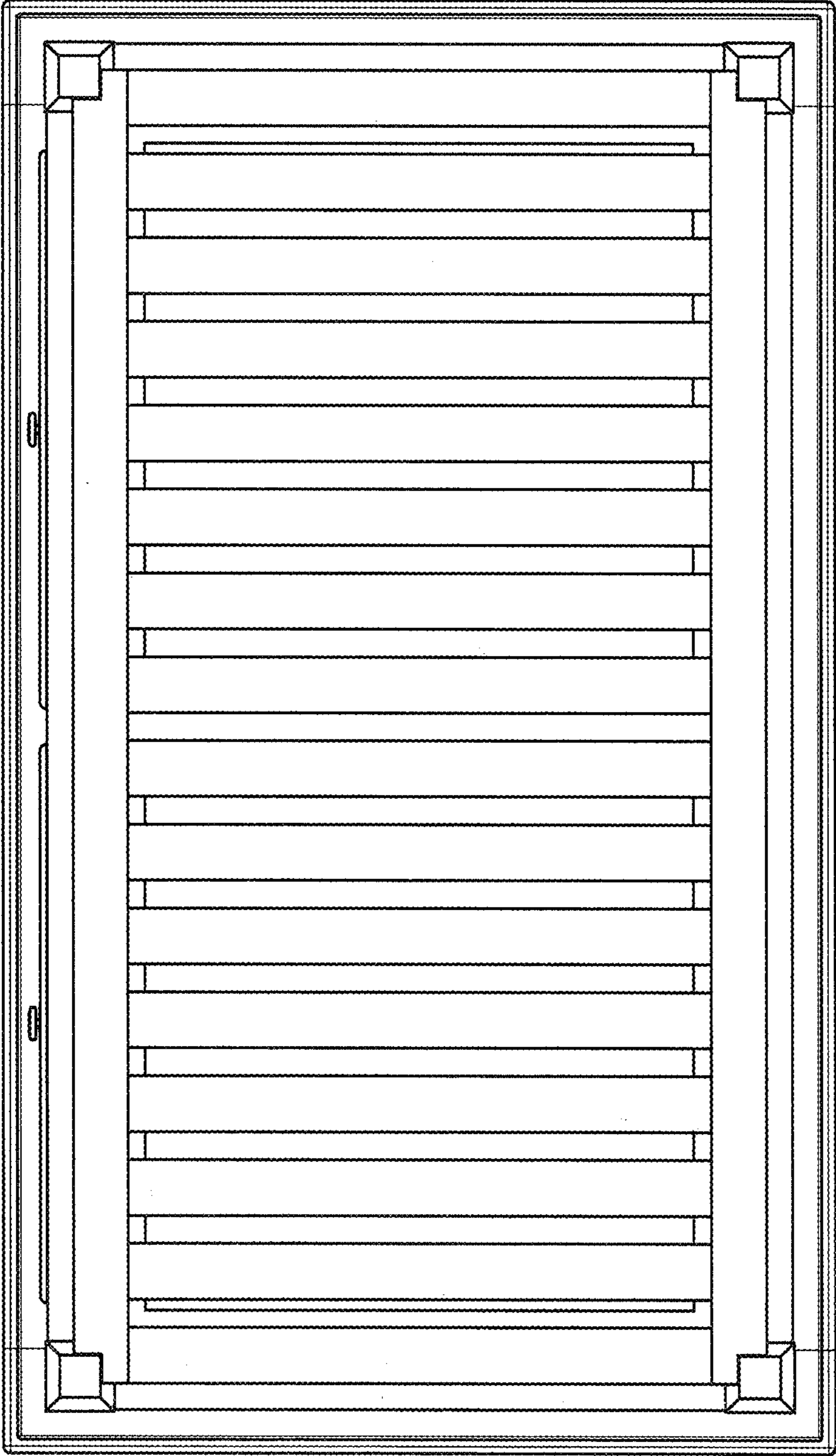


FIG. 4

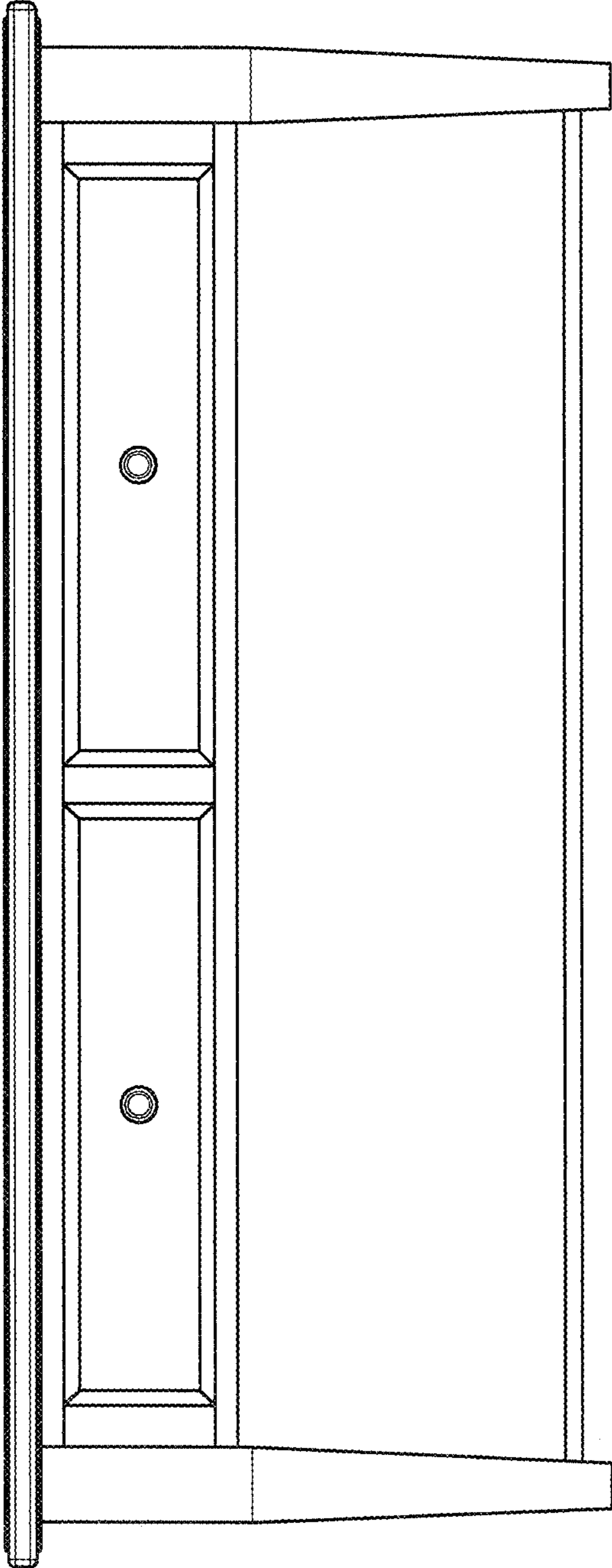


FIG. 5

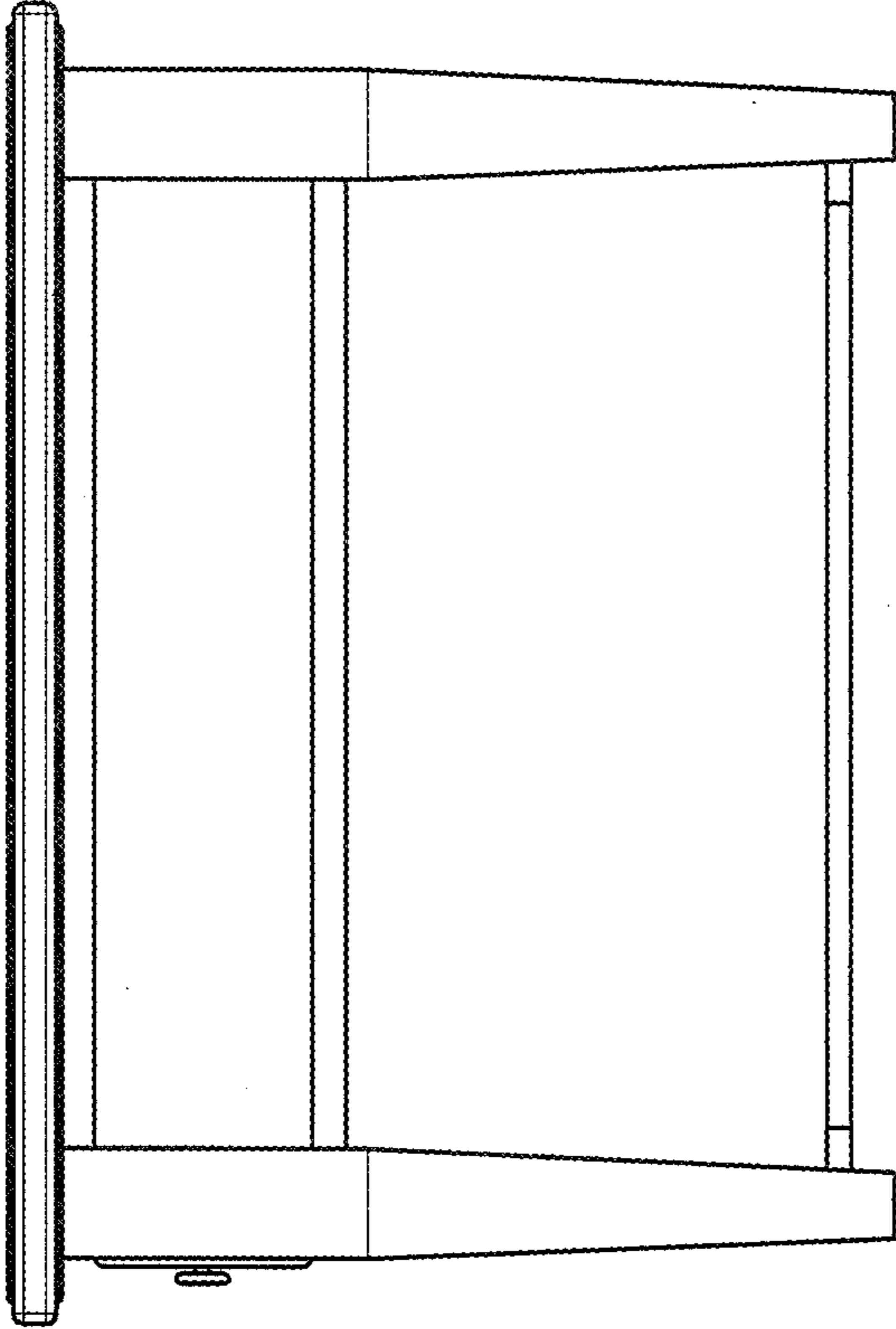


FIG. 6

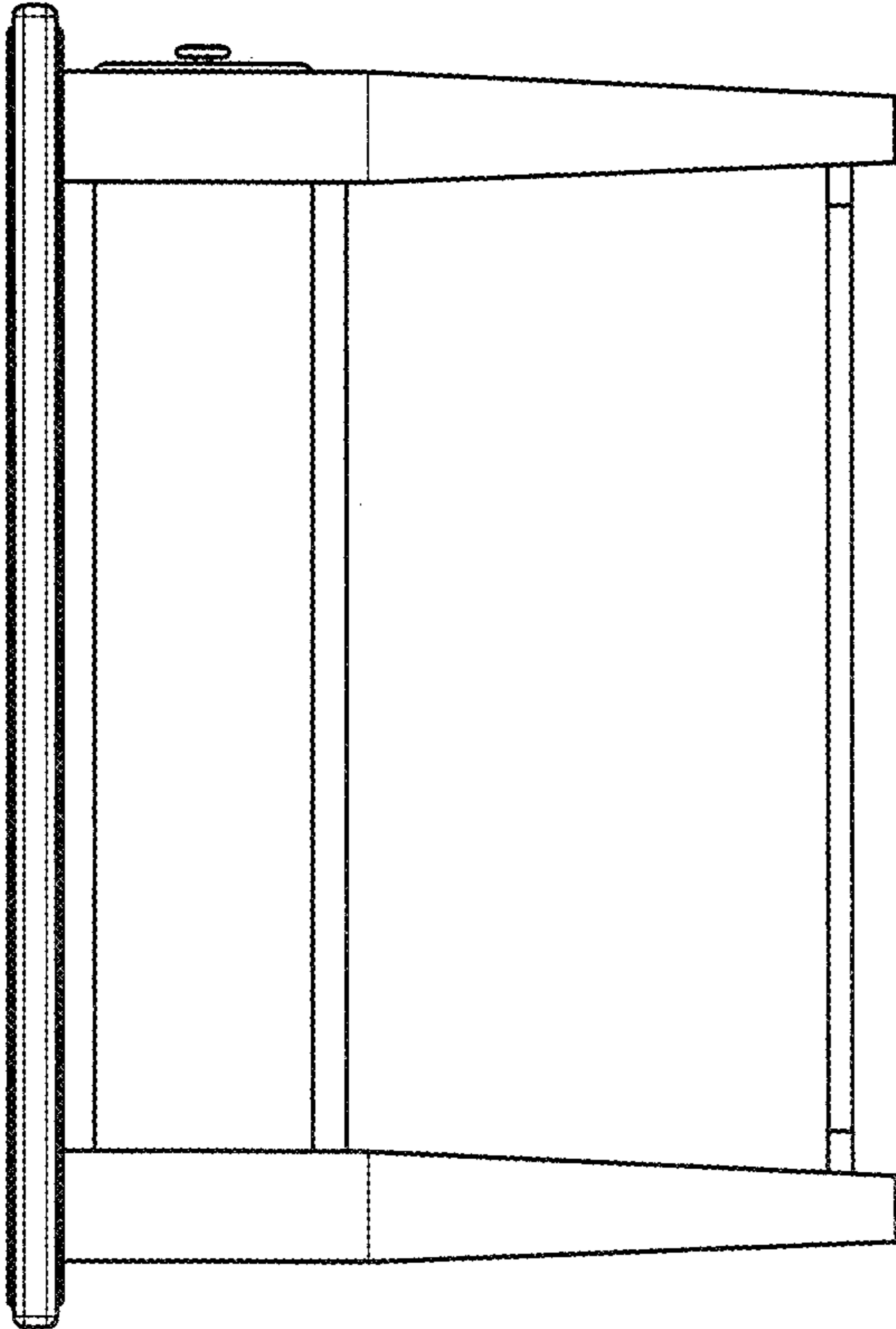


FIG. 7

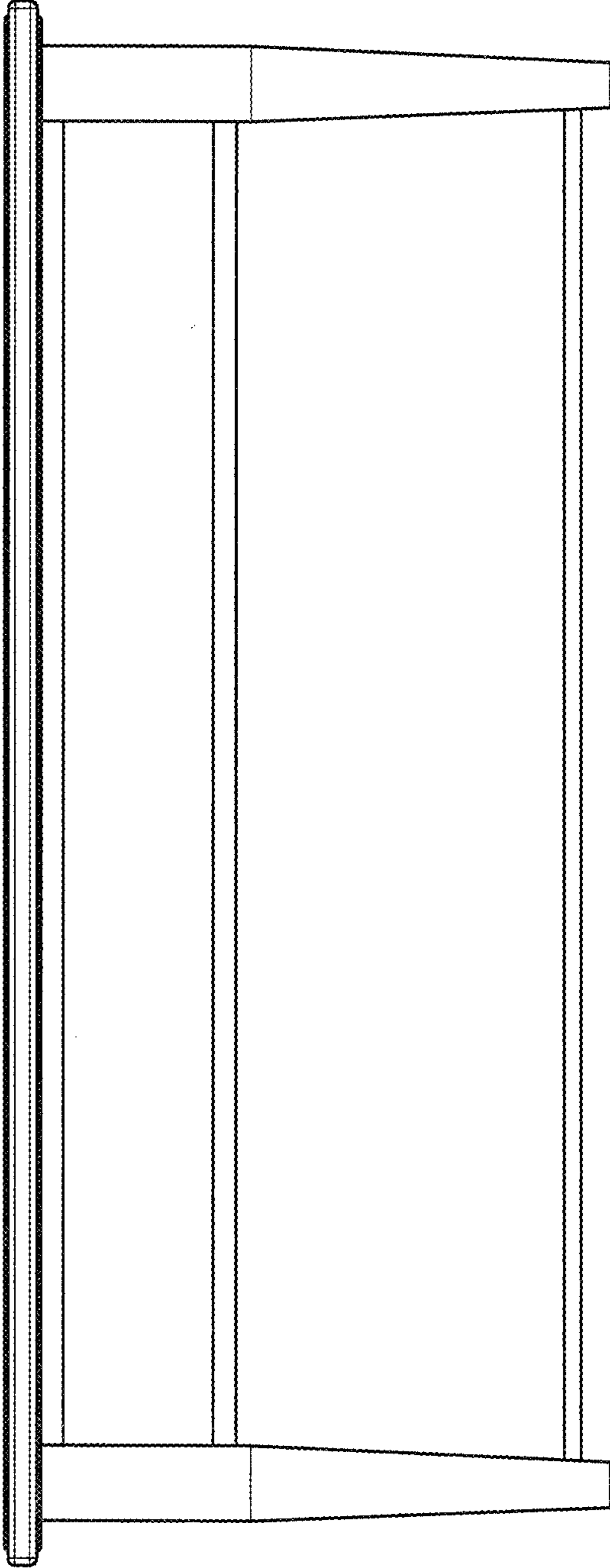


FIG. 8