



US00D921397S

(12) **United States Design Patent** (10) **Patent No.:** **US D921,397 S**
Xie (45) **Date of Patent:** **** Jun. 8, 2021**

(54) **TOILET PAPER HOLDER**

(56) **References Cited**

(71) Applicant: **GUANGDONG SUNRISE INDUSTRIAL CO., LTD.**, Dongguan (CN)

(72) Inventor: **Zhongyi Xie**, Dongguan (CN)

(73) Assignee: **GUANGDONG SUNRISE INDUSTRIAL CO., LTD.**, Dongguan (CN)

(**) Term: **15 Years**

(21) Appl. No.: **29/702,350**

(22) Filed: **Aug. 19, 2019**

(51) **LOC (13) Cl.** **23-08**

(52) **U.S. Cl.**
USPC **D6/520**

(58) **Field of Classification Search**
USPC D6/523, 515-517, 518-519, 522, 527, D6/552, 566, 520; D3/201, 304, 305, D3/306; D11/148; D34/1; 206/391; 211/13.1, 86.01, 87.01, 71.01, 181.1; 220/489; 242/580, 590, 560.2; 248/309.1
CPC . A47K 10/38; A47K 2010/3253; A47J 47/16; A47G 19/02; A47G 23/06; A47F 5/0018; A47F 5/0043; A47F 5/04

See application file for complete search history.

U.S. PATENT DOCUMENTS

D647,745 S *	11/2011	Guindi	D6/520
D775,850 S *	1/2017	Tsai	D6/523
D867,011 S *	11/2019	Snell	D6/520
D898,407 S *	10/2020	Ghiorghie	D6/520
D902,621 S *	11/2020	Peng	D6/520
2012/0234963 A1 *	9/2012	Channel	A47K 10/38 242/560.2

* cited by examiner

Primary Examiner — Mark Booker

(74) *Attorney, Agent, or Firm* — Law Offices of Steven W. Weinrieb

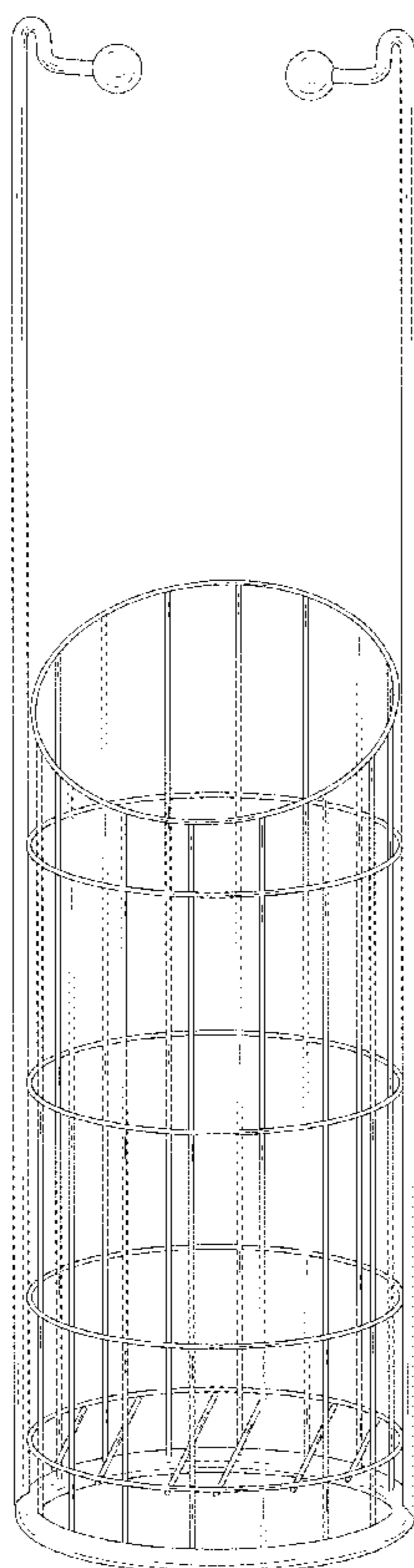
(57) **CLAIM**

The ornamental design for a toilet paper holder, as shown and described.

DESCRIPTION

FIG. 1 is a front, right side, top perspective view of a toilet paper holder showing my new design; FIG. 2 is a rear, left side, bottom perspective view thereof; FIG. 3 is a front elevational view thereof; and FIG. 4 is a rear elevational view thereof. FIG. 5 is a left side elevational view thereof; FIG. 6 is a right side elevational view thereof; FIG. 7 is a top plan view thereof; and, FIG. 8 is a bottom plan view thereof.

1 Claim, 8 Drawing Sheets



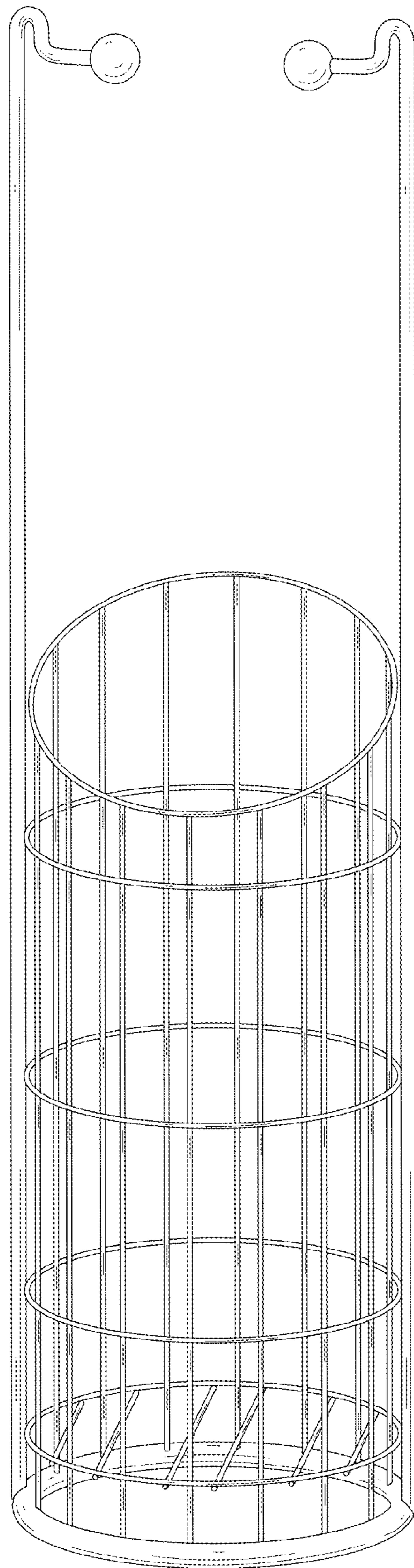


FIG. 1

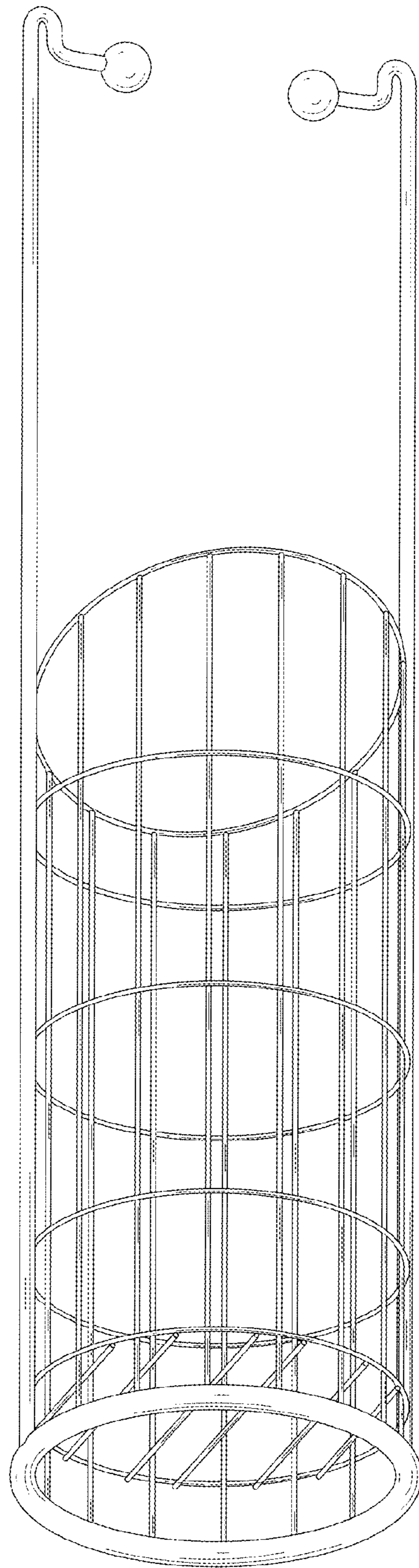


FIG. 2

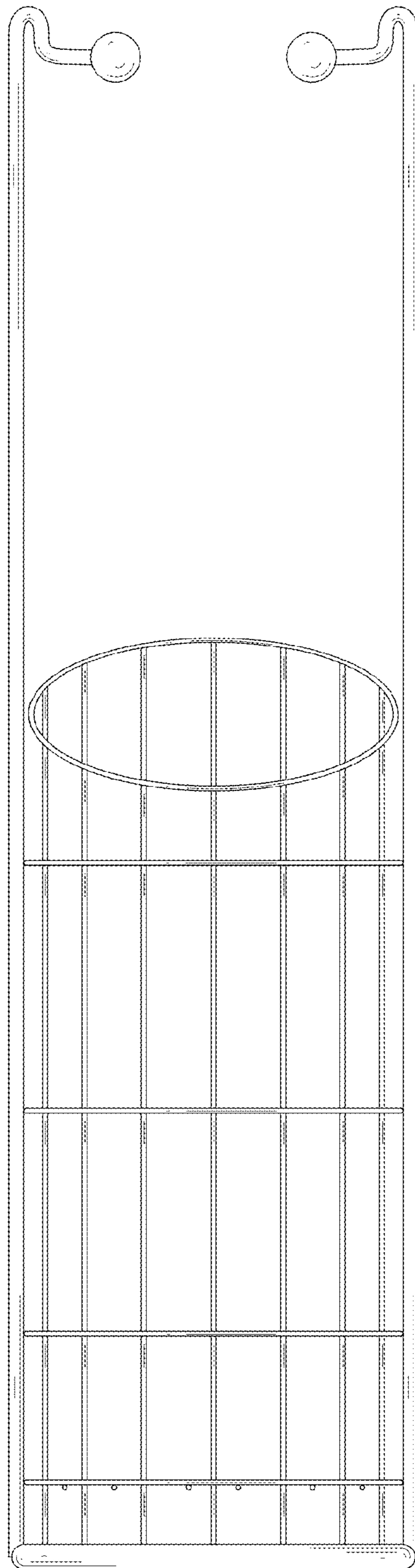


FIG. 3

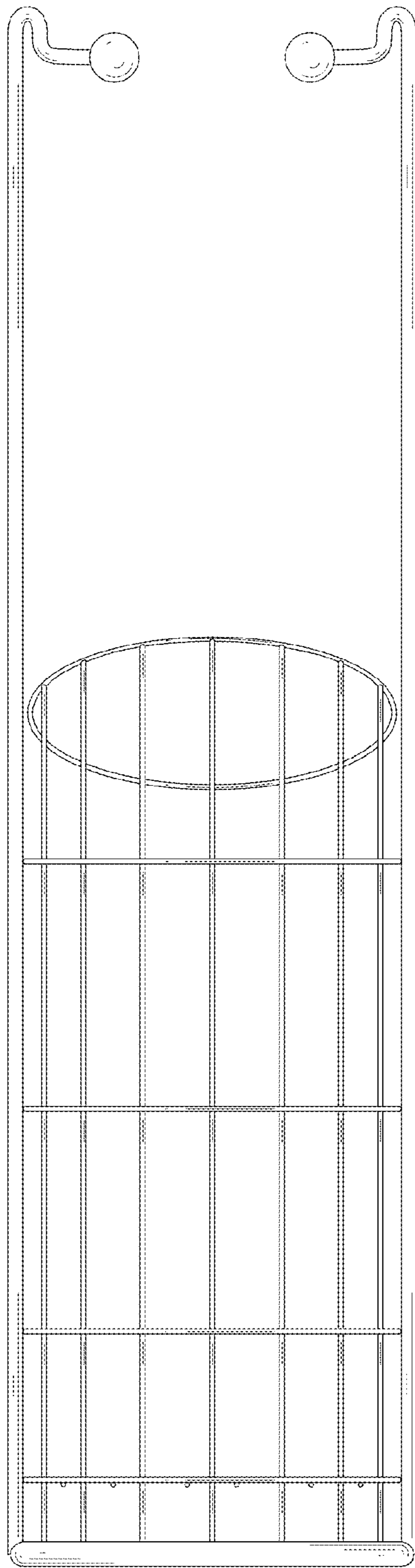


FIG. 4

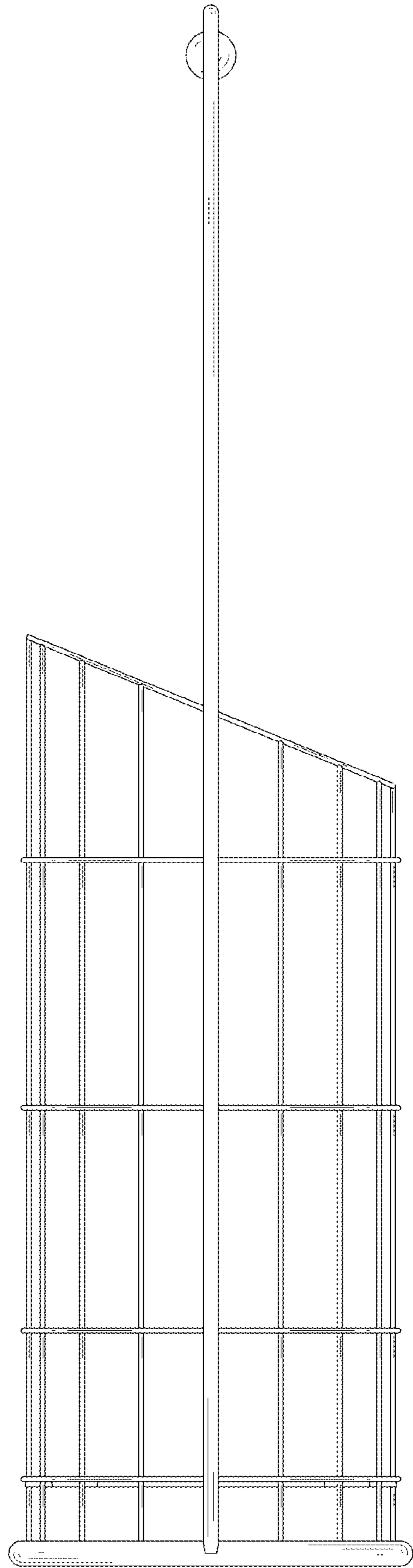


FIG. 5

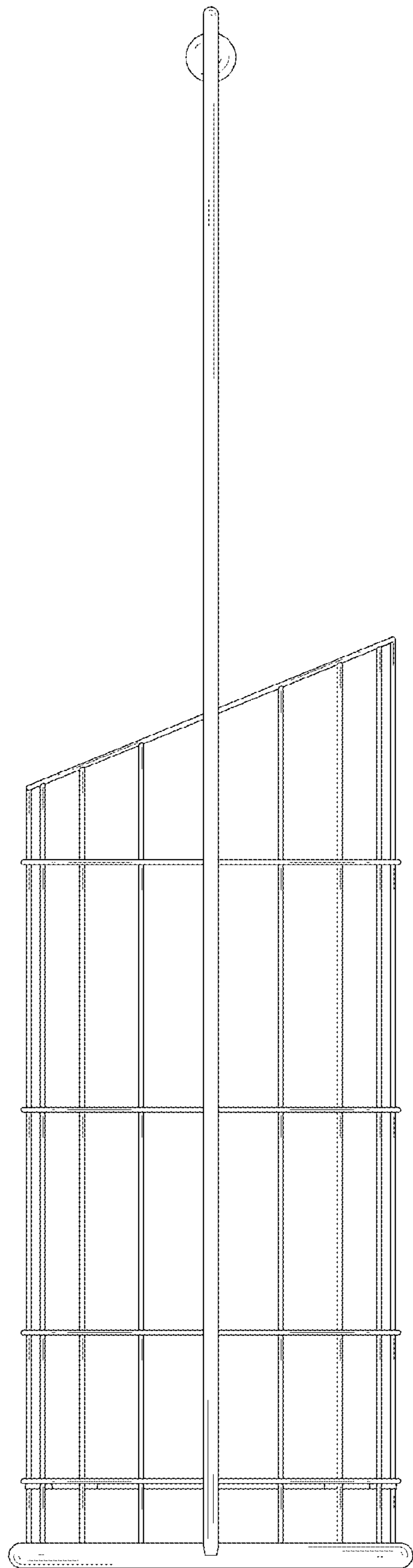


FIG. 6

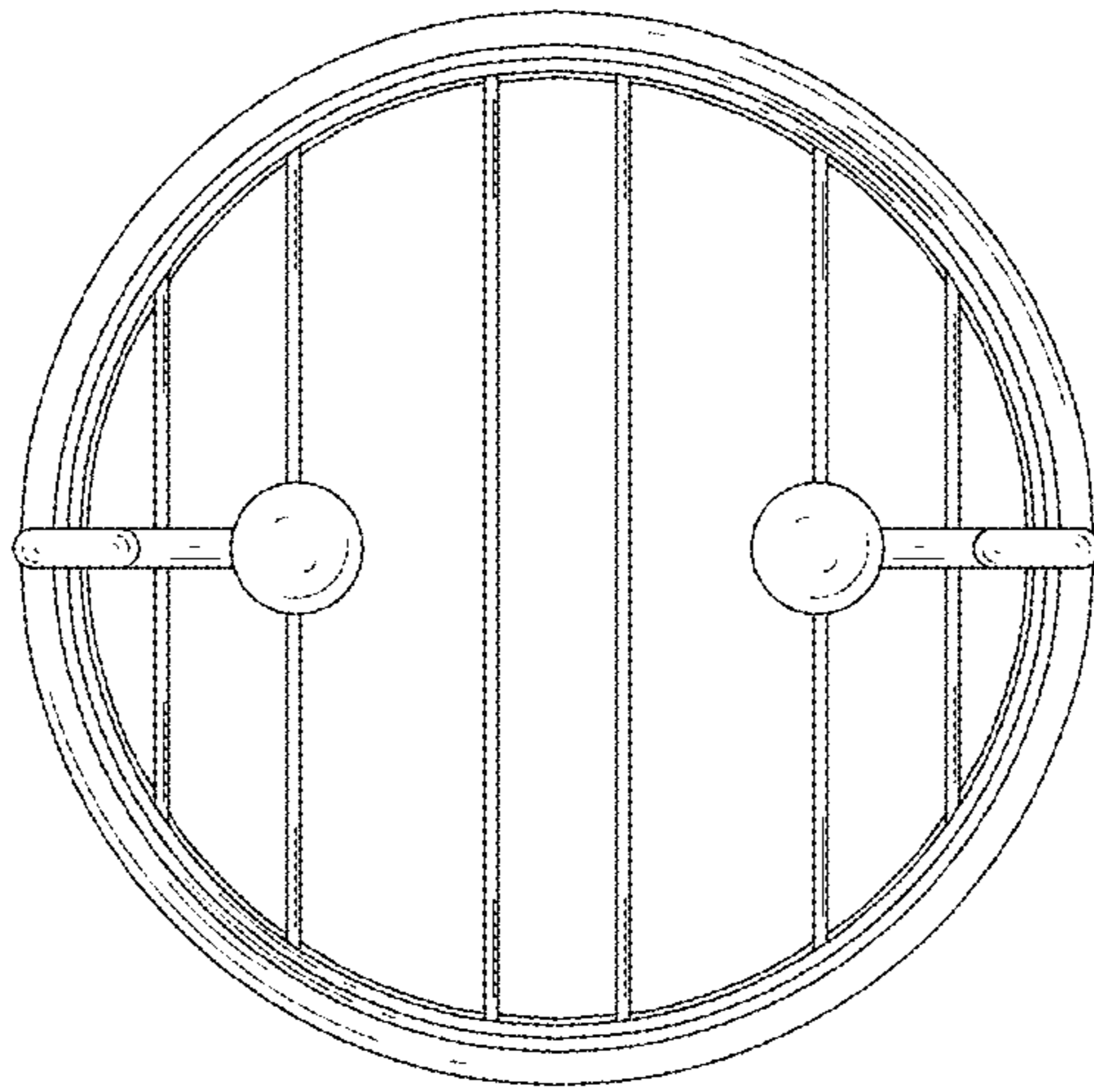


FIG. 7

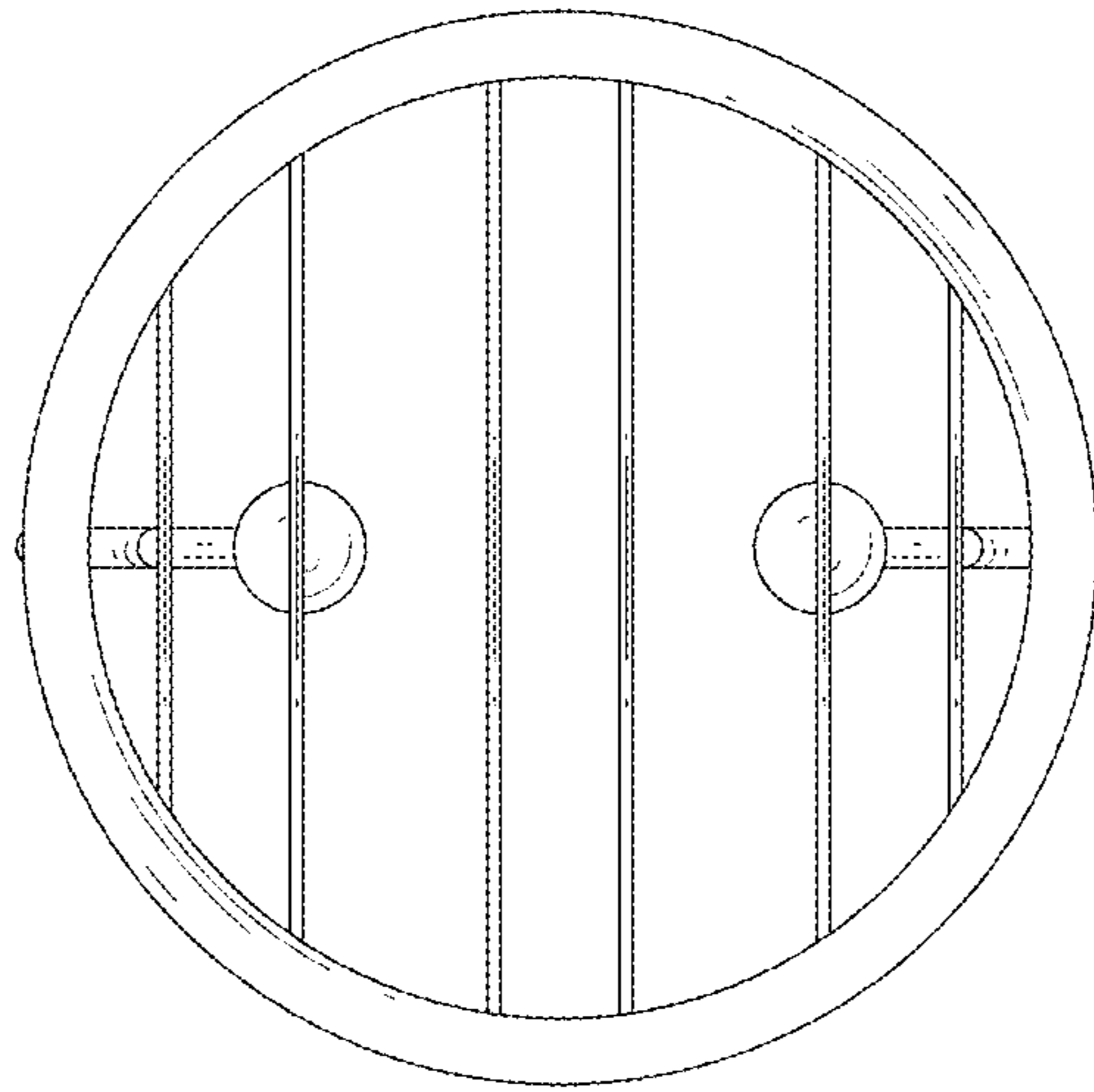


FIG. 8