



US00D921396S

(12) **United States Design Patent** (10) **Patent No.:** **US D921,396 S**  
**McCauley et al.** (45) **Date of Patent:** **\*\* Jun. 8, 2021**

(54) **TOUCHLESS LID DISPENSER APPARATUS**

D365,952 S \* 1/1996 Gagnon ..... D30/124  
D373,037 S \* 8/1996 Lotti ..... D6/515  
D424,340 S \* 5/2000 Fleming ..... D6/515

(71) Applicant: **Dan & O'B Enterprises, LLC**,  
Alexandria, MN (US)

(Continued)

(72) Inventors: **Marc Thomas McCauley**, Elk River,  
MN (US); **Jesse Robert Hahne**, Elk  
River, MN (US); **Thomas Christopher  
Coy**, St. Michael, MN (US)

**FOREIGN PATENT DOCUMENTS**

WO 2007030867 A1 3/2007  
WO 2010025512 A1 3/2010  
WO 2013116203 A1 8/2013

(73) Assignee: **DAN & O'B ENTERPRISES, LLC**,  
Alexandria, MN (US)

**OTHER PUBLICATIONS**

Flexroller, "EZLid—Lid Dispenser", Retrieved from <http://www.ezlid.com/features/>, 2013, 4 pages.

(Continued)

(\*\*) Term: **15 Years**

*Primary Examiner* — Mark Booker

(21) Appl. No.: **29/685,502**

(74) *Attorney, Agent, or Firm* — Richard E. Billion

(22) Filed: **Mar. 28, 2019**

(51) **LOC (13) Cl.** ..... **06-04**

(52) **U.S. Cl.**  
USPC ..... **D6/515**

(58) **Field of Classification Search**  
USPC ..... D6/515, 516–518; 206/225, 333, 389,  
206/391; 211/13.1, 173, 180; 221/26,  
221/33, 282, 283; 242/570, 590;  
248/309.1, 309.2, 905  
CPC .... A47F 7/021; A47F 5/05; A47F 7/00; A47F  
1/126; A47F 7/163; A47K 10/40; A47K  
10/383; B66D 1/7442  
See application file for complete search history.

(57) **CLAIM**

We claim the ornamental design for a touchless lid dispenser, as shown and described.

**DESCRIPTION**

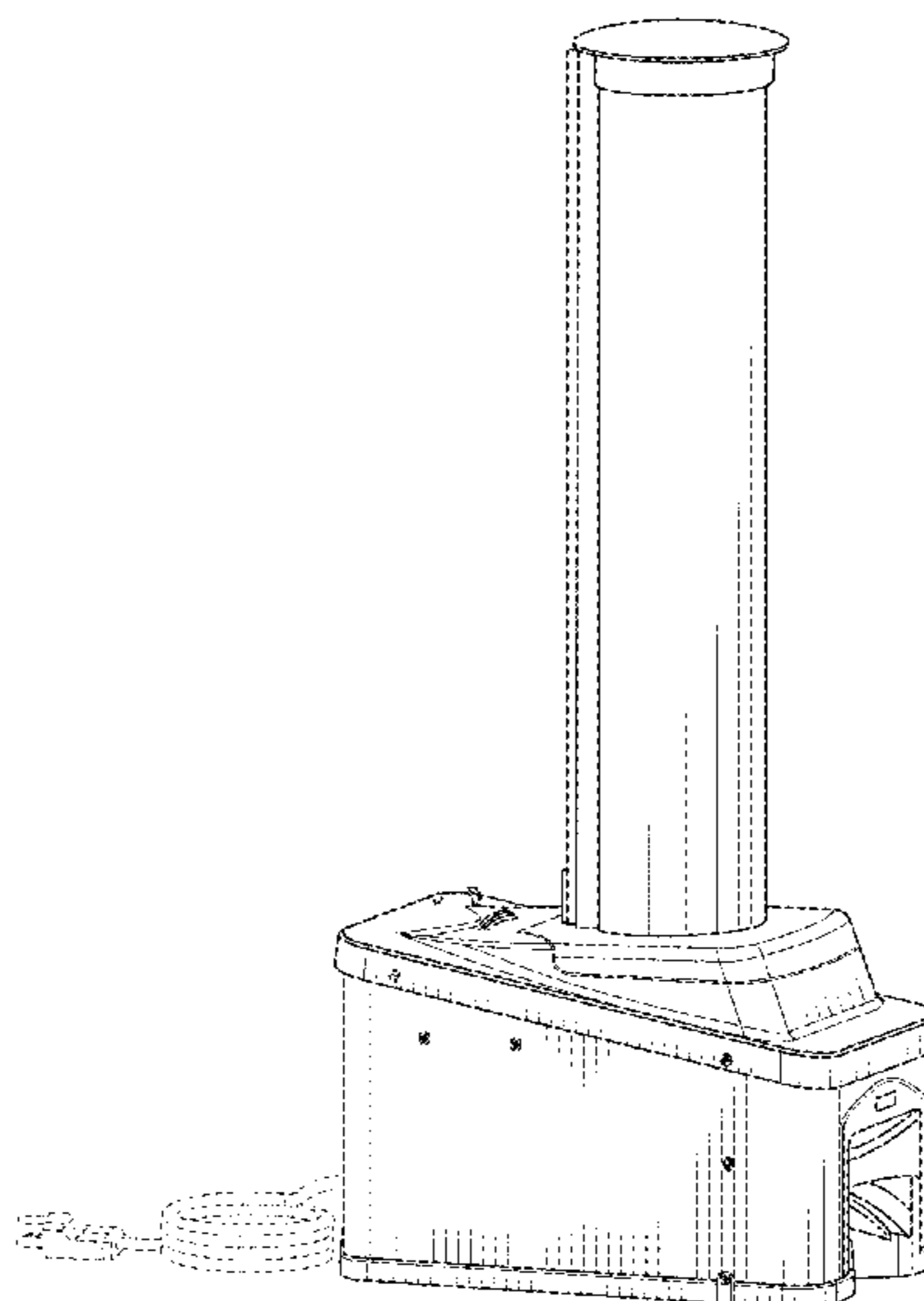
FIG. 1 is a perspective view of an ornamental design for a touchless lid dispenser, according to the invention; FIG. 2 is a rear view of the touchless lid dispenser of FIG. 1; FIG. 3 is a front view of the touchless lid dispenser of FIG. 1; FIG. 4 is a right side view of the touchless lid dispenser of FIG. 1; FIG. 5 is a left side view of the touchless lid dispenser of FIG. 1; FIG. 6 is a top view of the touchless lid dispenser of FIG. 1; and, FIG. 7 is a bottom view of the touchless lid dispenser of FIG. 1. The broken lines in the figures represent portions of the touchless lid dispenser apparatus that form no part of the claimed design.

(56) **References Cited**

**U.S. PATENT DOCUMENTS**

3,581,936 A 6/1971 Johnson  
4,133,525 A 1/1979 Balles  
4,319,441 A 3/1982 Credle  
4,436,222 A 3/1984 Taylor  
4,949,526 A 8/1990 Brogna  
5,038,969 A 8/1991 Berger  
5,131,562 A 7/1992 Brown  
D330,983 S \* 11/1992 De Moss ..... D20/1

**1 Claim, 6 Drawing Sheets**



(56)

**References Cited**

## U.S. PATENT DOCUMENTS

6,474,503	B2	11/2002	Davis	
6,659,305	B2	12/2003	Thompson	
6,786,359	B1	9/2004	Schroeder	
D541,088	S *	4/2007	Nesci .....	D6/515
7,422,127	B2	9/2008	Christoffersen	
7,487,886	B2	2/2009	Hecht	
7,900,797	B1	3/2011	Witcraft	
8,025,181	B1	9/2011	Horn et al.	
8,297,473	B2	10/2012	Smith	
D679,527	S *	4/2013	Schick .....	D6/515
9,049,949	B1	6/2015	Tarlor	
D733,454	S *	7/2015	Von Heifner .....	D6/515
10,366,560	B2 *	7/2019	Weber .....	A47F 1/082
D883,705	S *	5/2020	Wright .....	D6/515
2001/0038017	A1	11/2001	David	
2006/0157493	A1	7/2006	Christoffersen	
2007/0131705	A1	6/2007	Behraves et al.	
2008/0302817	A1	12/2008	Arndt	
2011/0101017	A1	5/2011	Schroeder	
2011/0210137	A1	9/2011	Kling	

## OTHER PUBLICATIONS

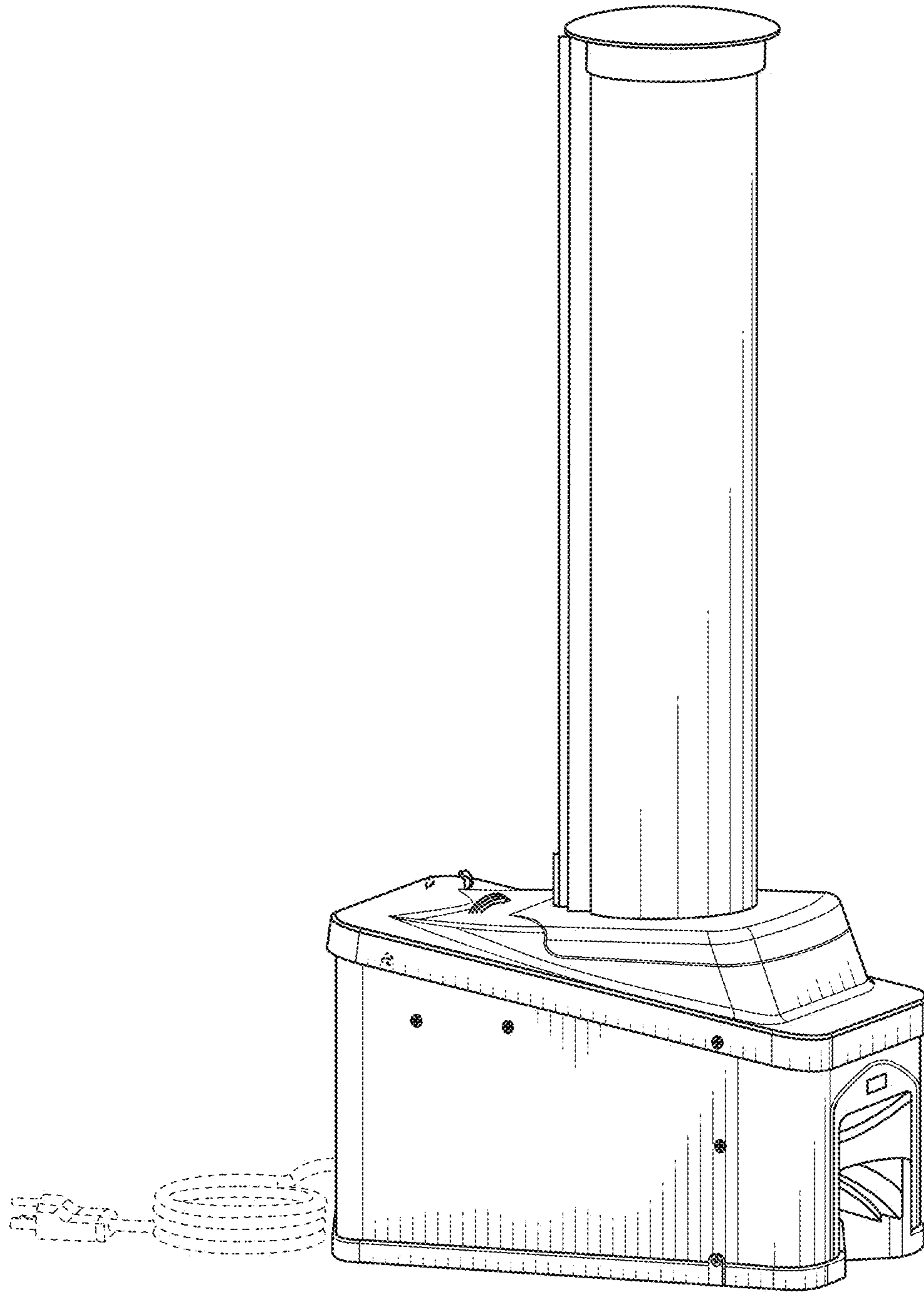
Georgia-Pacific, "SmartStock Touchless Executive Series Fork Dispenser", Retrieved from <http://www.gppro.com>, 2013, 1 page.

Steri-Straw, "Touchless Straw Dispenser", Retrieved from <http://www.steri-straw.com>, 2014, 1 page.

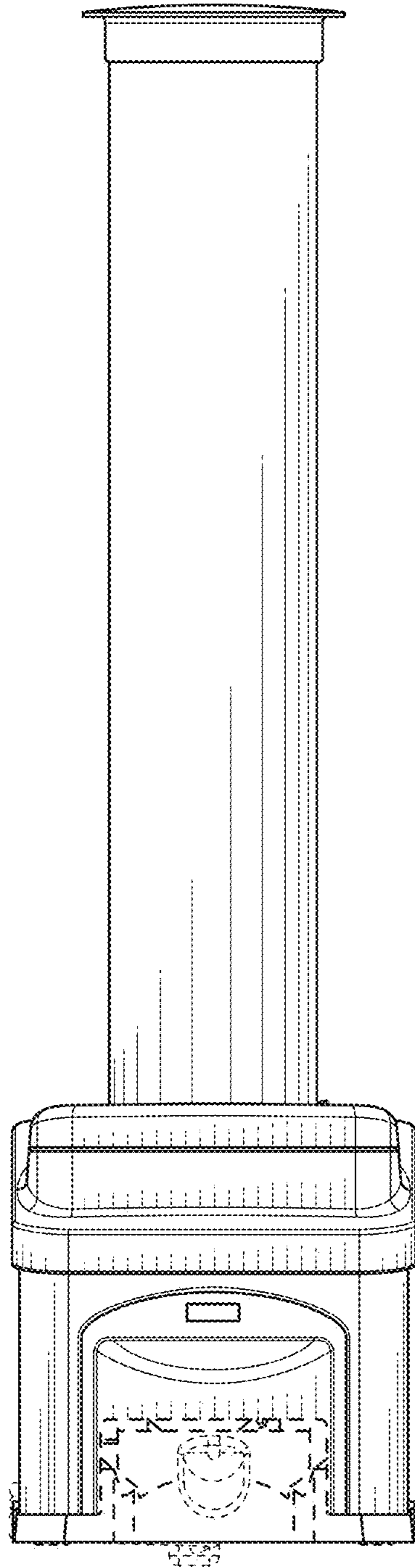
Taylortack, LLC, "Push n Go Single Lid Dispenser", Retrieved from <http://taylortack.com/instructions.htm>, 2011, 1 page.

The Vollrath Company, LLC, "LidSaver Single Lid Dispenser Delivers Savings, Convenience, and Improved Hygiene", Retrieved from [vollrath.com/Vollrath-Files/Price-Lists/Brochure-LidSaver-US-2013.pdf](http://vollrath.com/Vollrath-Files/Price-Lists/Brochure-LidSaver-US-2013.pdf), 2013, 4 pages.

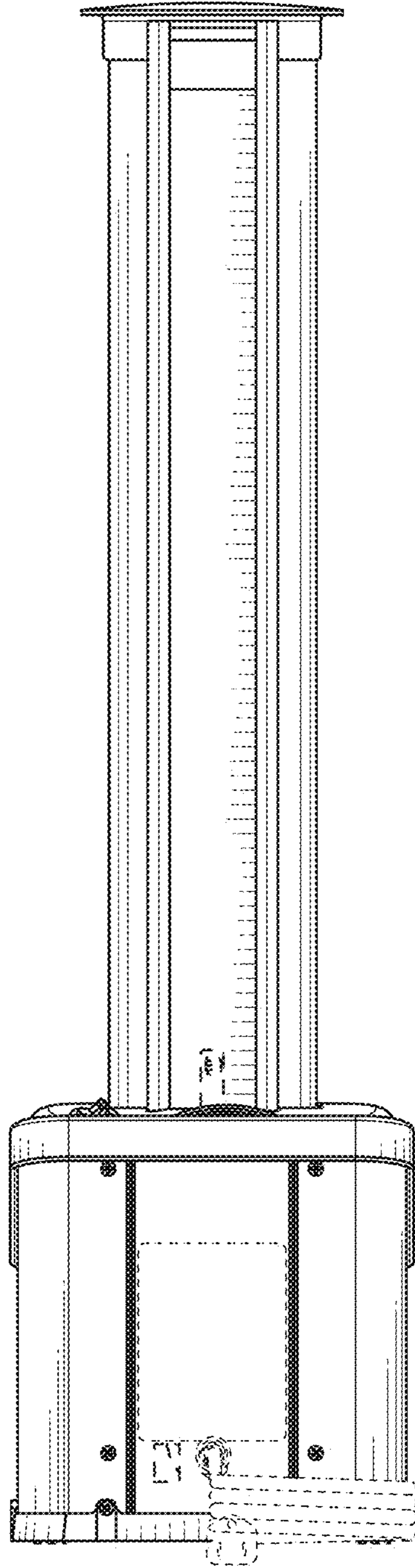
\* cited by examiner



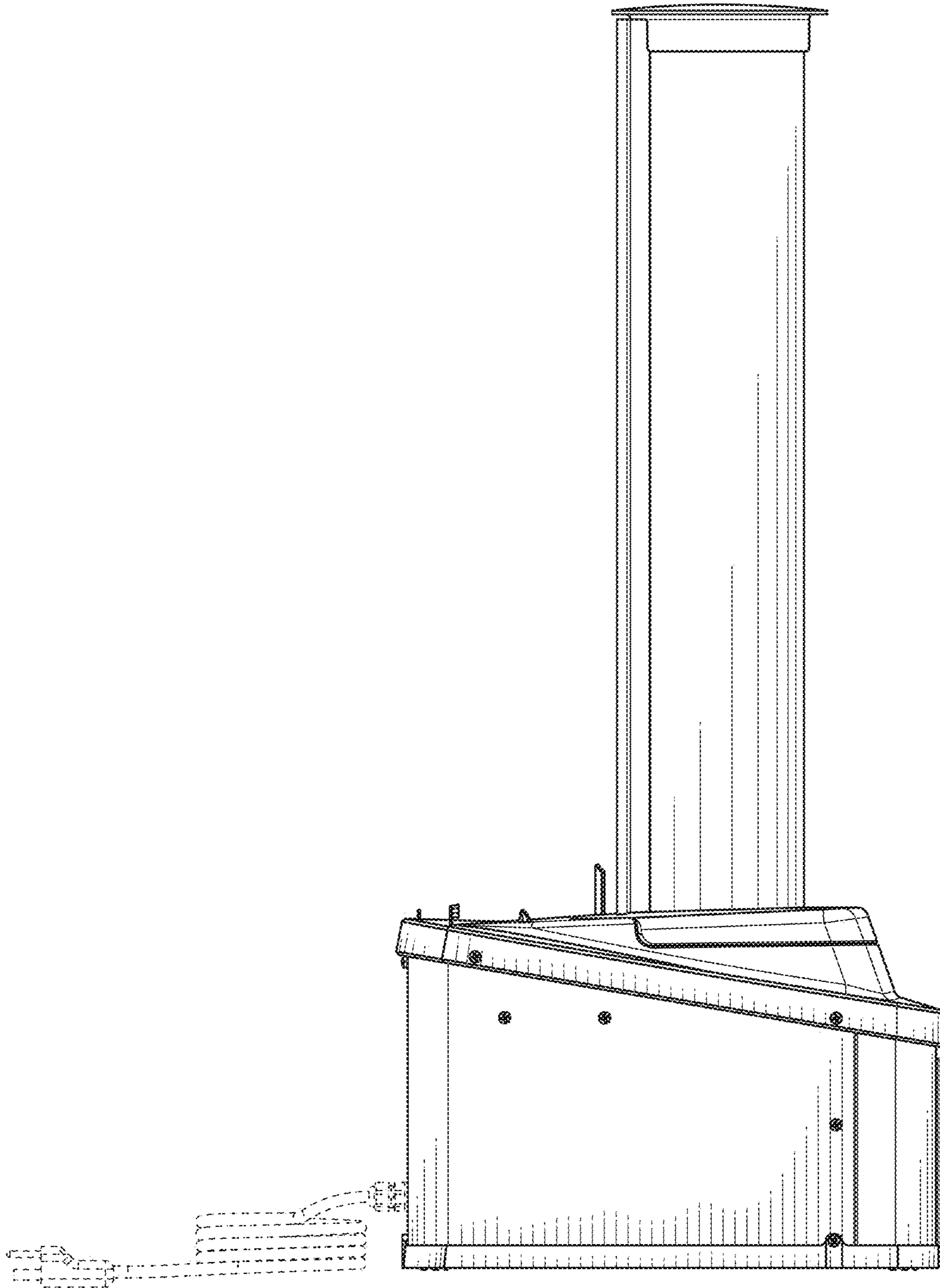
**FIG. 1**



**FIG. 2**



**FIG. 3**



**FIG. 4**

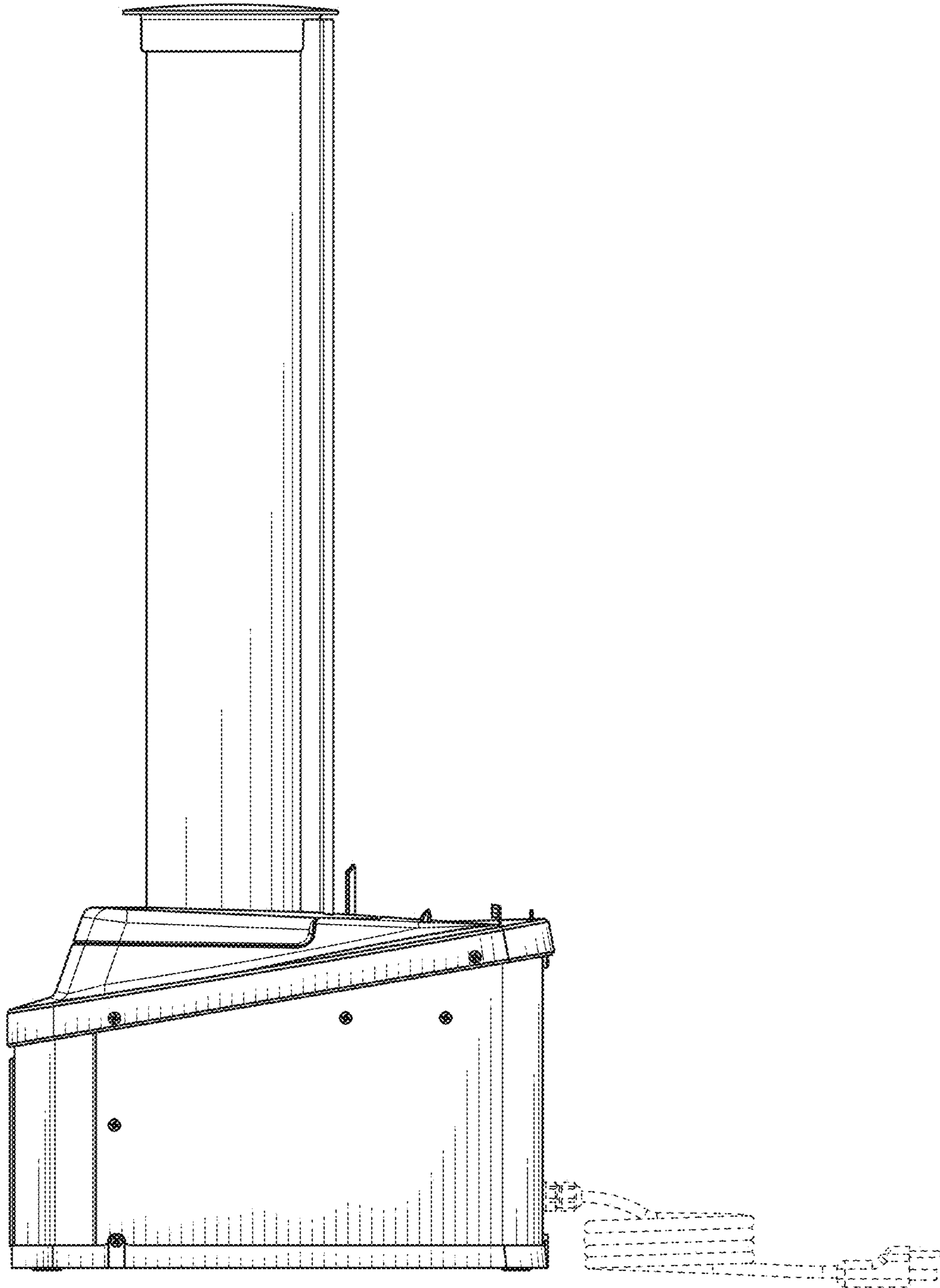


FIG. 5

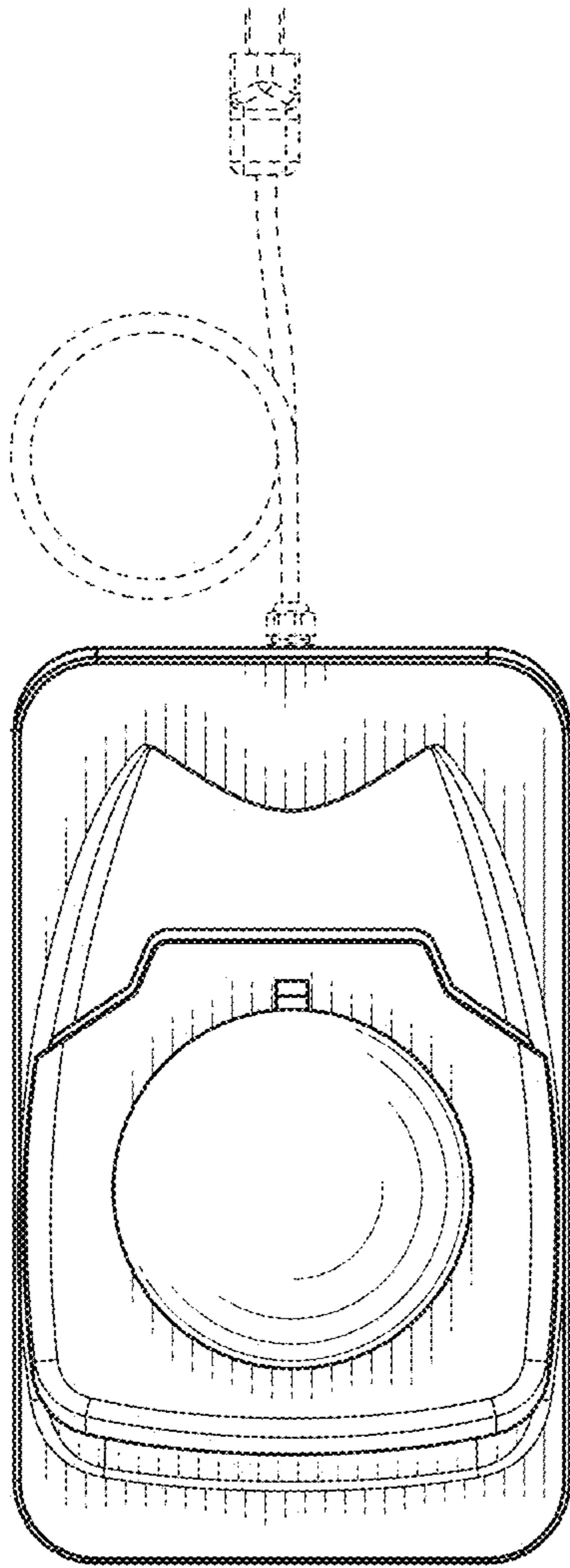


FIG. 6

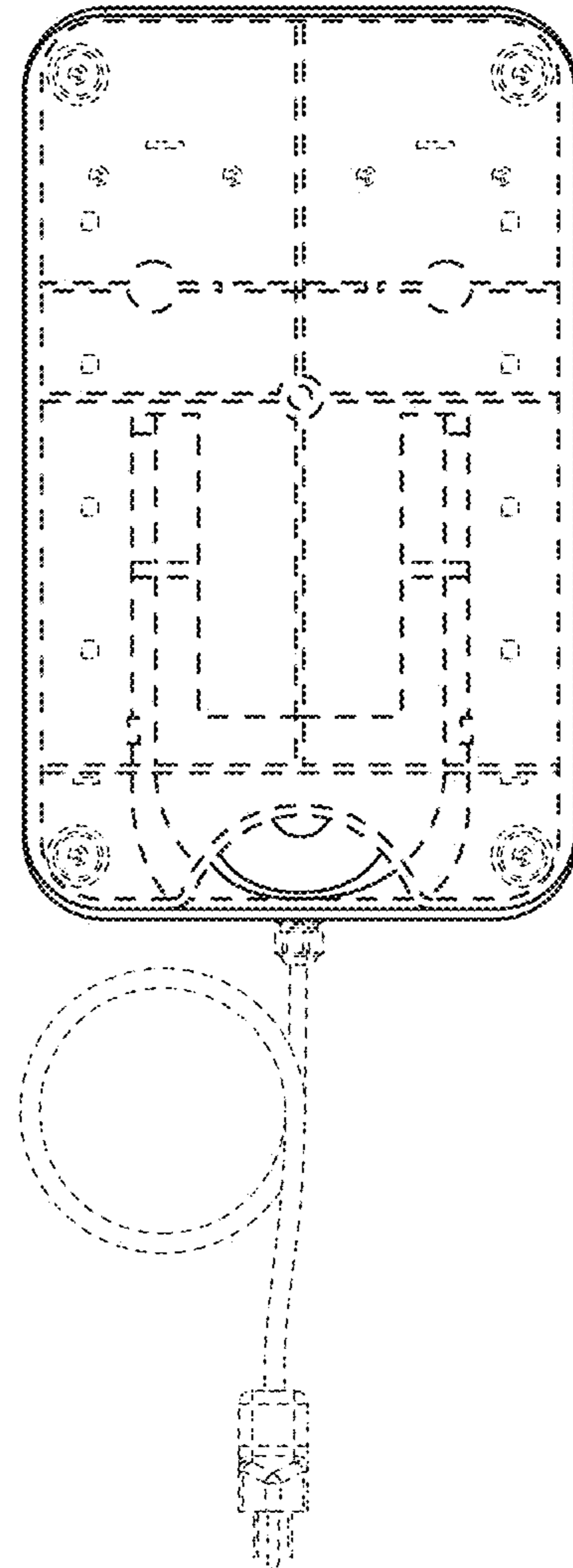


FIG. 7