



US00D921395S

(12) **United States Design Patent** (10) **Patent No.:** **US D921,395 S**  
**Wu** (45) **Date of Patent:** **\*\* Jun. 8, 2021**

(54) **LAPTOP DESK**  
(71) Applicant: **Wenchao Wu**, Xiangtan (CN)  
(72) Inventor: **Wenchao Wu**, Xiangtan (CN)  
(\*\*) Term: **15 Years**  
(21) Appl. No.: **29/750,685**  
(22) Filed: **Sep. 16, 2020**  
(51) **LOC (13) Cl.** ..... **06-06**  
(52) **U.S. Cl.**  
USPC ..... **D6/406.6**  
(58) **Field of Classification Search**  
USPC ..... D6/406.1-406.6, 421-422; D19/91-92;  
D7/552.2, 554.3-554.4; D14/439, 447  
CPC ..... A47B 23/00; A47B 23/001; A47B 23/002;  
A47G 23/06; A47G 23/0633  
See application file for complete search history.

D678,886 S \* 3/2013 Heckler ..... D14/447  
D679,520 S \* 4/2013 Wong ..... D6/406.5  
D693,824 S \* 11/2013 Erdfarb ..... D14/447  
(Continued)

**OTHER PUBLICATIONS**

“Adjustable Laptop Stand for Desk, Ergonomic Portable Aluminum Laptop Desk Stand, Non-Slip, Stable, Foldable Laptop Riser, Compatible with MacBook Pro/Air and More Notebooks in 10"-17"—Silver”, Retrieved Sep. 14, 2020. Retrieved from Internet, <https://www.amazon.com/Adjustable-Ergonomic-Portable-Compatible-Notebooks/dp/B086CF7D3M/>.

(Continued)

*Primary Examiner* — Kelley A Donnelly

(57) **CLAIM**

The ornamental design for a laptop desk, as shown and described.

**DESCRIPTION**

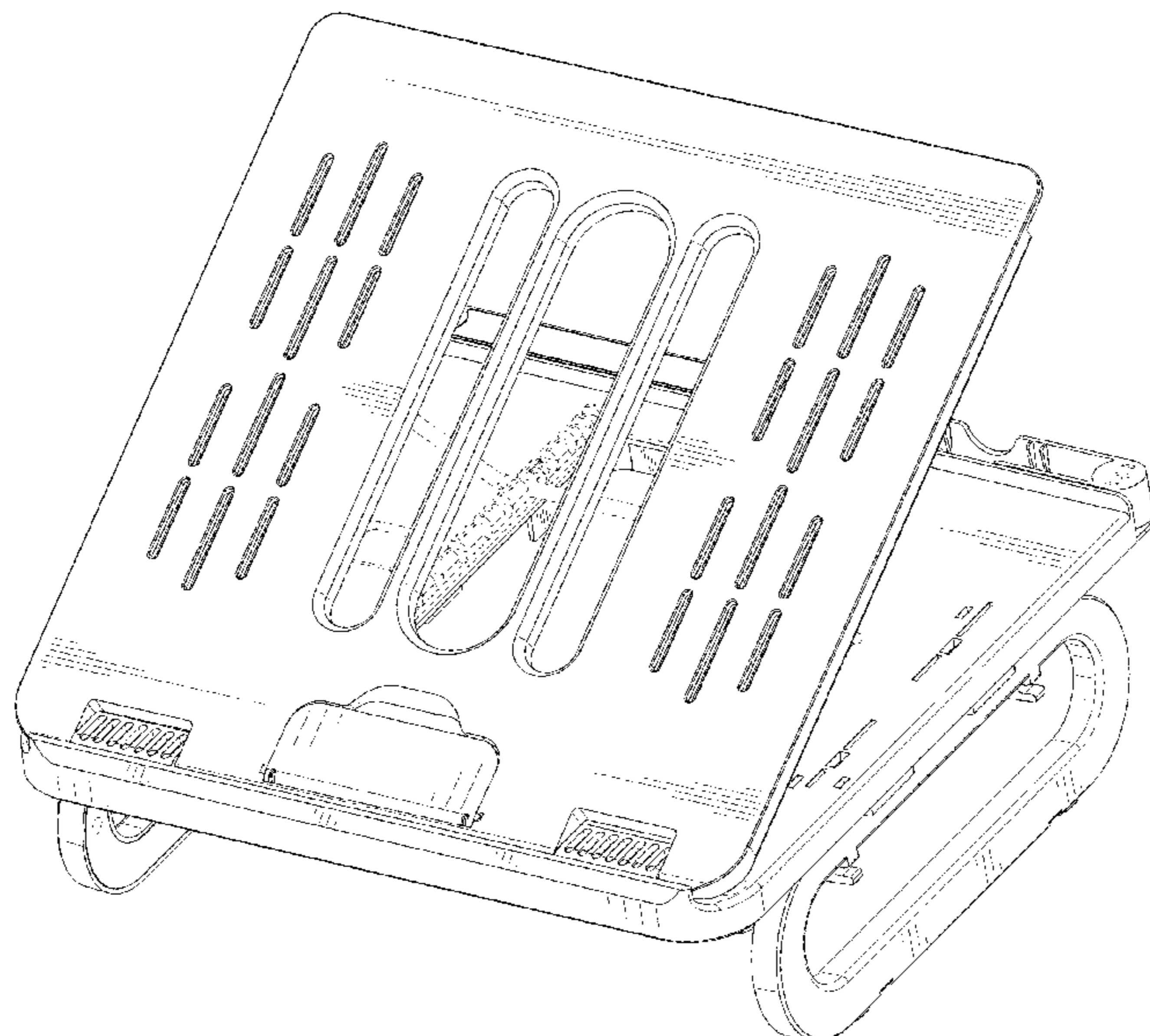
FIG. 1 is a perspective view of a laptop desk showing my new design;  
FIG. 2 is another perspective view thereof;  
FIG. 3 is a front elevational view thereof;  
FIG. 4 is a rear elevational view thereof;  
FIG. 5 is a left side elevational view thereof;  
FIG. 6 is a right side elevational view thereof;  
FIG. 7 is a top plan view thereof;  
FIG. 8 is a bottom plan view thereof;  
FIG. 9 is a perspective view of the laptop desk where the laptop desk is in a first configuration of use;  
FIG. 10 is a perspective view of the laptop desk where the laptop desk is in a second configuration of use;  
FIG. 11 is a perspective view of the laptop desk where the laptop desk is a third configuration of use; and,  
FIG. 12 is an exploded perspective view of the laptop desk. The broken lines in the drawings depict portions of the laptop desk that form no part of the claimed design.

(56) **References Cited**

**U.S. PATENT DOCUMENTS**

D212,541 S \* 10/1968 Taylor ..... D6/642  
4,460,146 A \* 7/1984 Raggiotti ..... A47G 1/24  
248/456  
4,624,433 A \* 11/1986 Henneberg ..... F16M 11/10  
248/346.06  
D380,727 S \* 7/1997 Gilstrap ..... D12/417  
6,044,758 A \* 4/2000 Drake ..... A47B 23/001  
100/43  
D426,409 S \* 6/2000 Clark ..... D6/406.5  
7,770,864 B2 \* 8/2010 Phifer ..... A47B 23/043  
248/455  
D624,922 S \* 10/2010 Hui ..... D14/447  
7,828,260 B2 \* 11/2010 Hauser ..... A47B 23/043  
248/456  
8,123,189 B2 \* 2/2012 Phifer ..... A47B 23/044  
248/460  
D665,812 S \* 8/2012 Huang ..... D14/447  
D673,961 S \* 1/2013 Matsui ..... D14/447

**1 Claim, 12 Drawing Sheets**



(56)

**References Cited**

U.S. PATENT DOCUMENTS

D721,710 S \* 1/2015 Messing ..... D14/447  
D784,355 S \* 4/2017 Hsu ..... D14/447  
D870,116 S \* 12/2019 Lei ..... D14/447  
D892,515 S \* 8/2020 Wang ..... D6/406.5  
D906,347 S \* 12/2020 Yang ..... D14/447  
D907,640 S \* 1/2021 Huang ..... D14/447  
2005/0098703 A1 \* 5/2005 Cziraky ..... A47B 97/04  
248/460  
2006/0108494 A1 \* 5/2006 Lancet ..... A47B 23/043  
248/456

OTHER PUBLICATIONS

“AmazonBasics Ventilated Adjustable Laptop Computer Desk Stand, 6-Pack”, Retrieved Sep. 14, 2020. Retrieved from Internet, <https://www.amazon.com/AmazonBasics-Ventilated-Adjustable-Laptop-6-Pack/dp/B0711ZK1L8/>.

\* cited by examiner

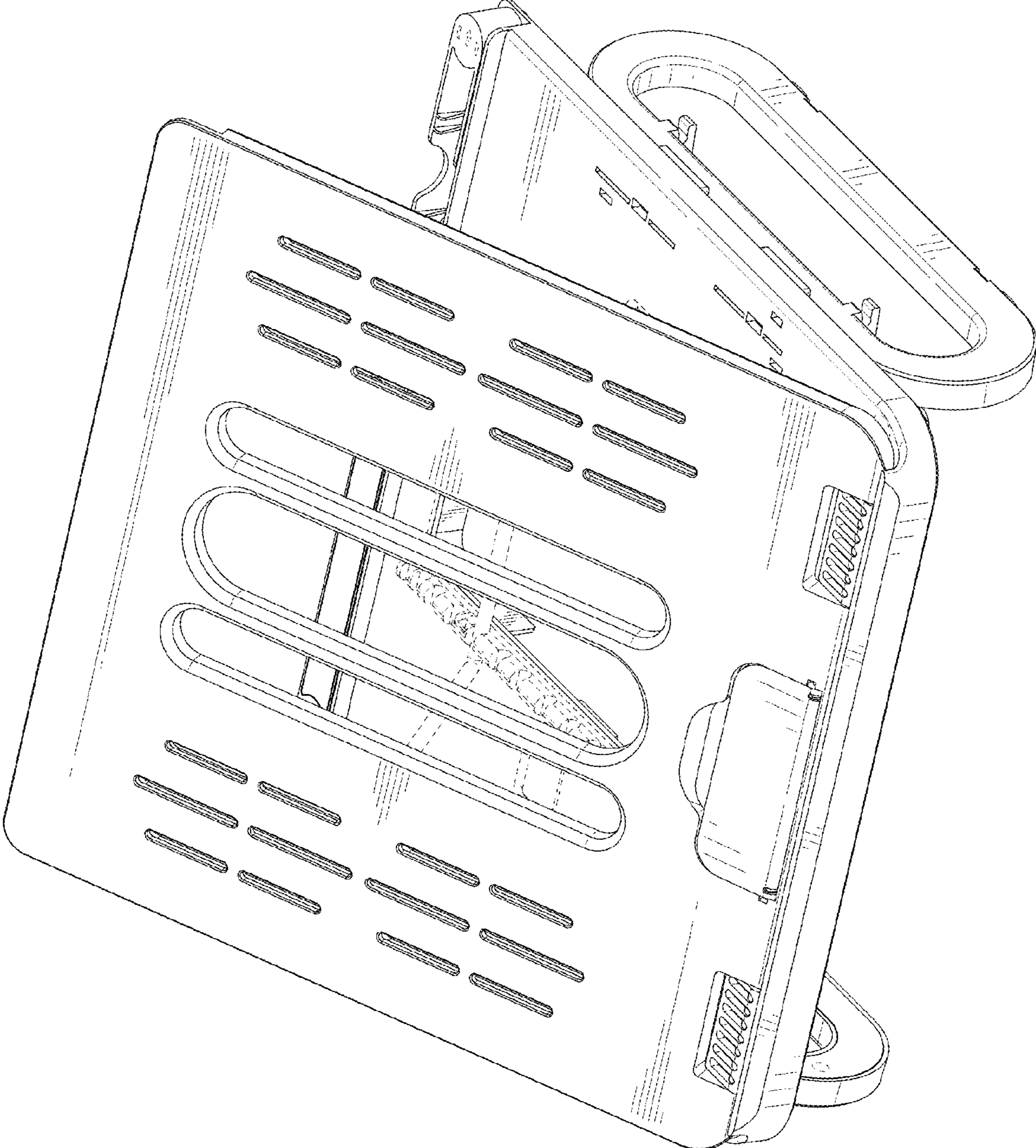


FIG. 1

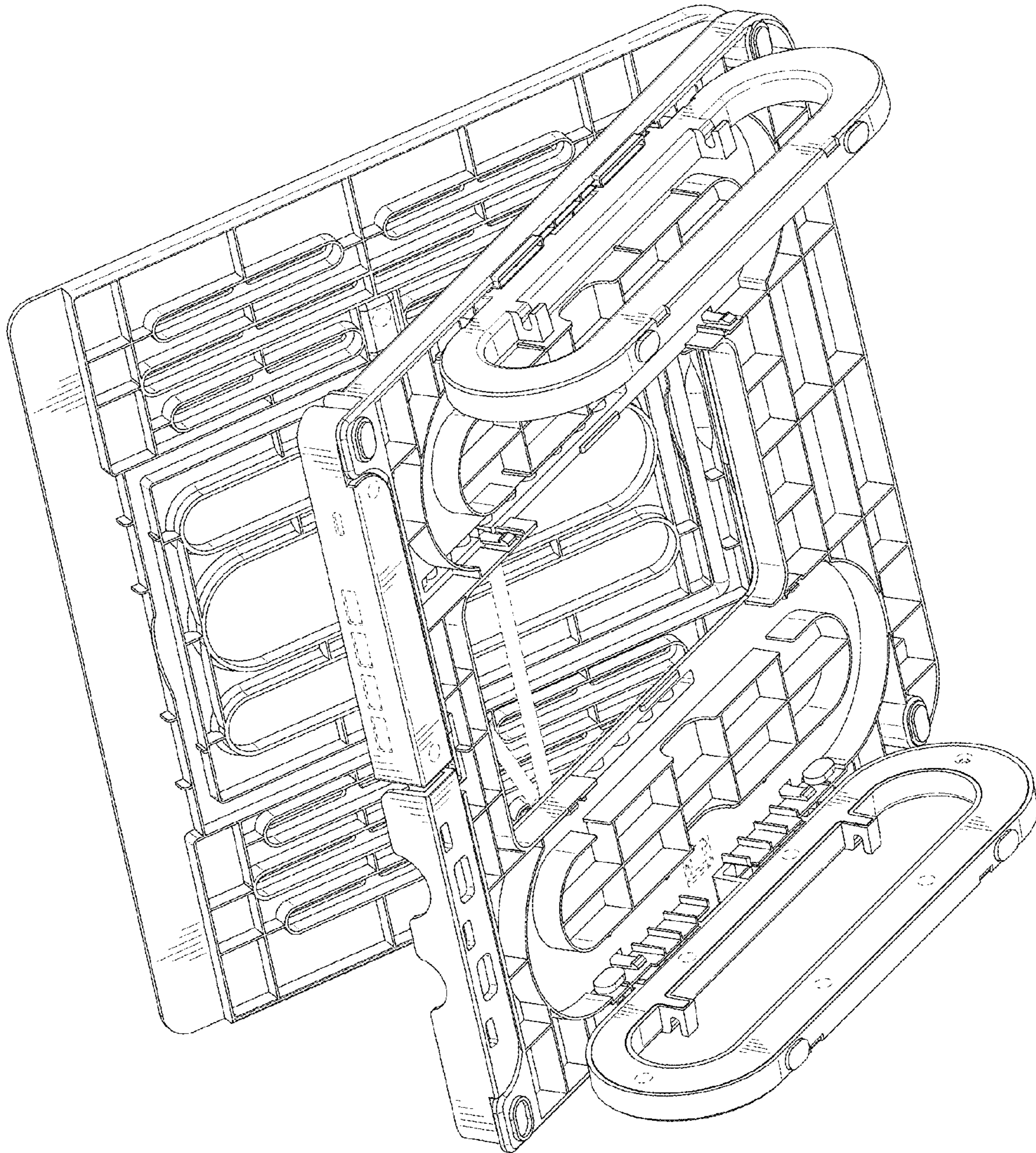


FIG. 2

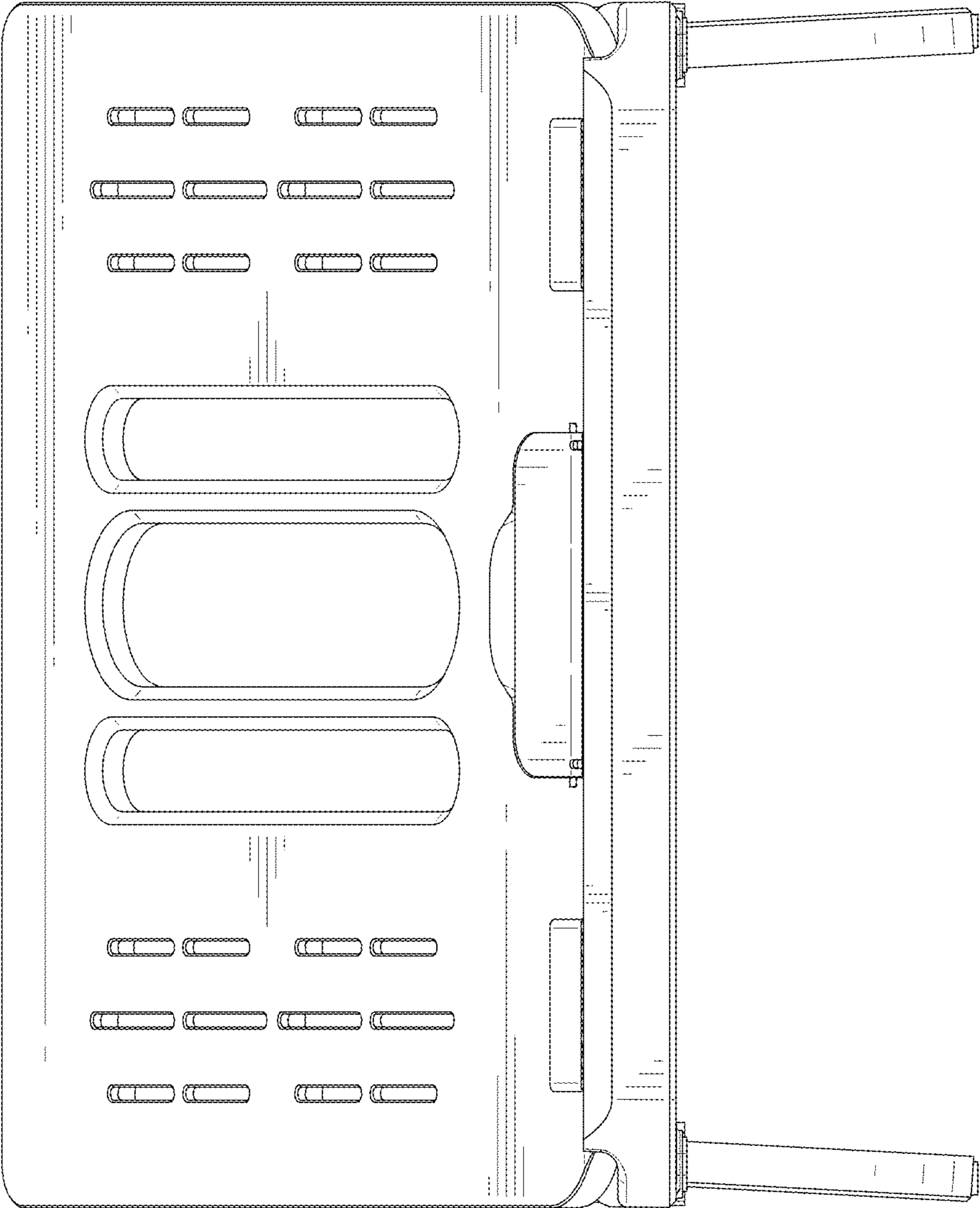


FIG. 3

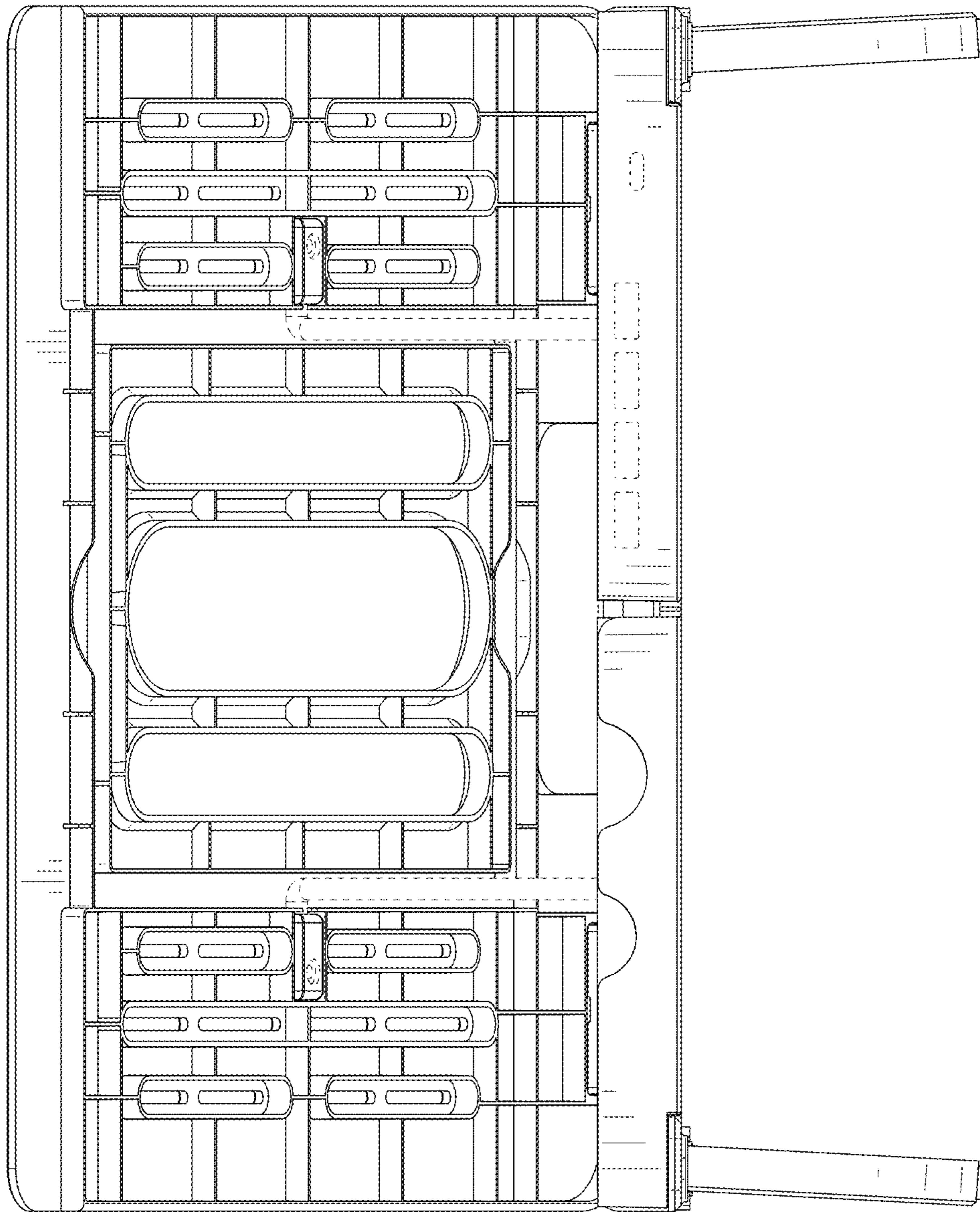


FIG. 4

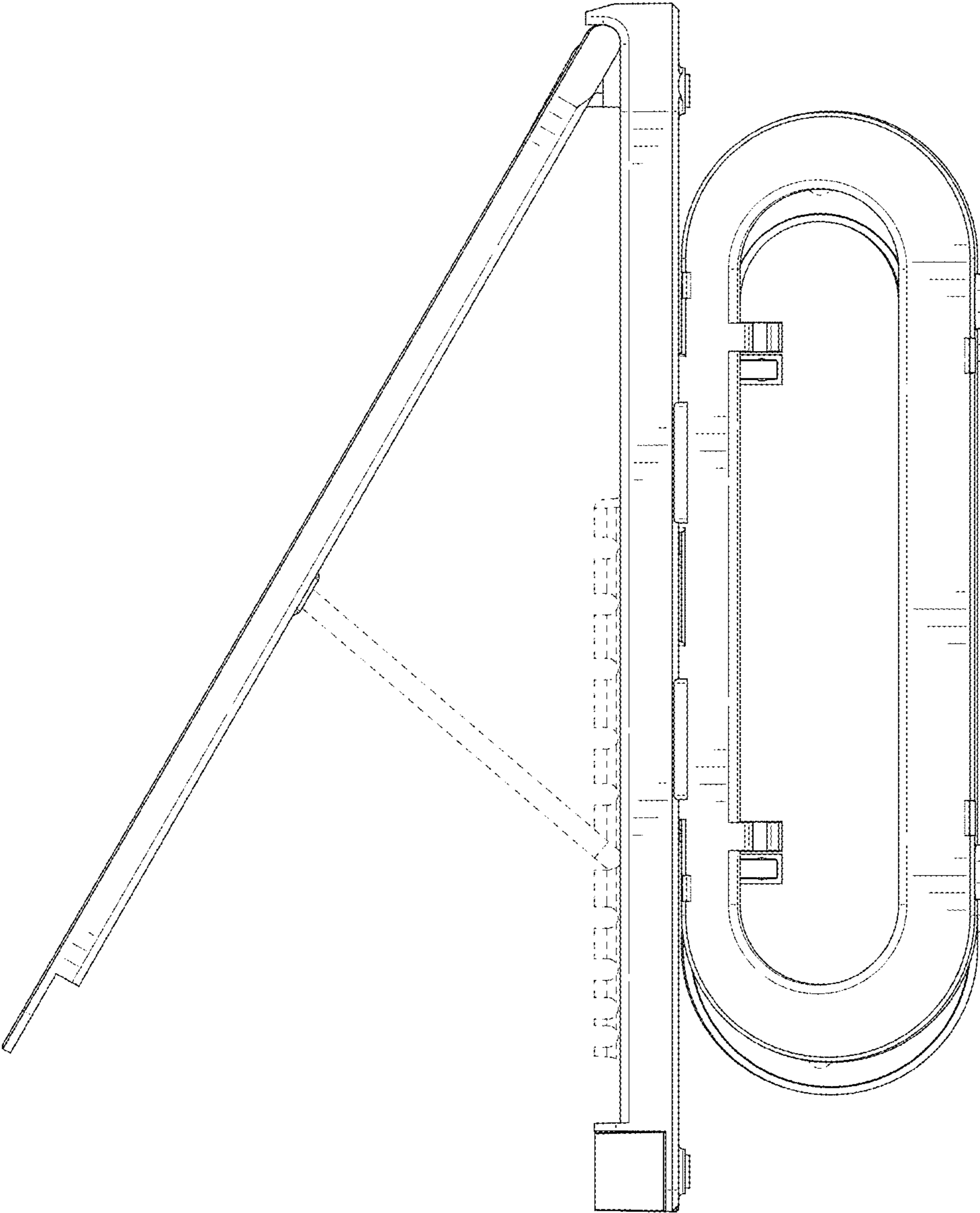


FIG. 5

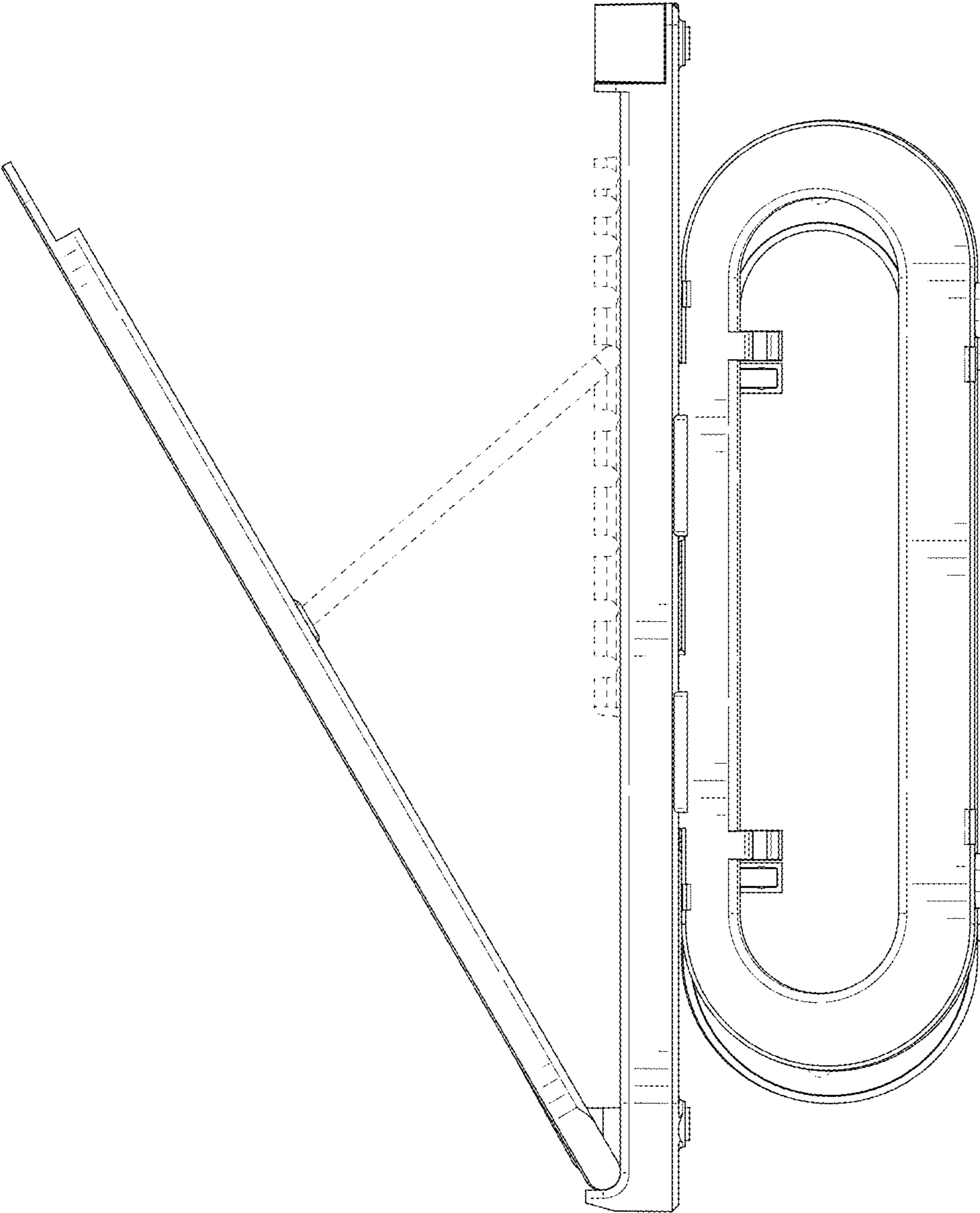


FIG. 6



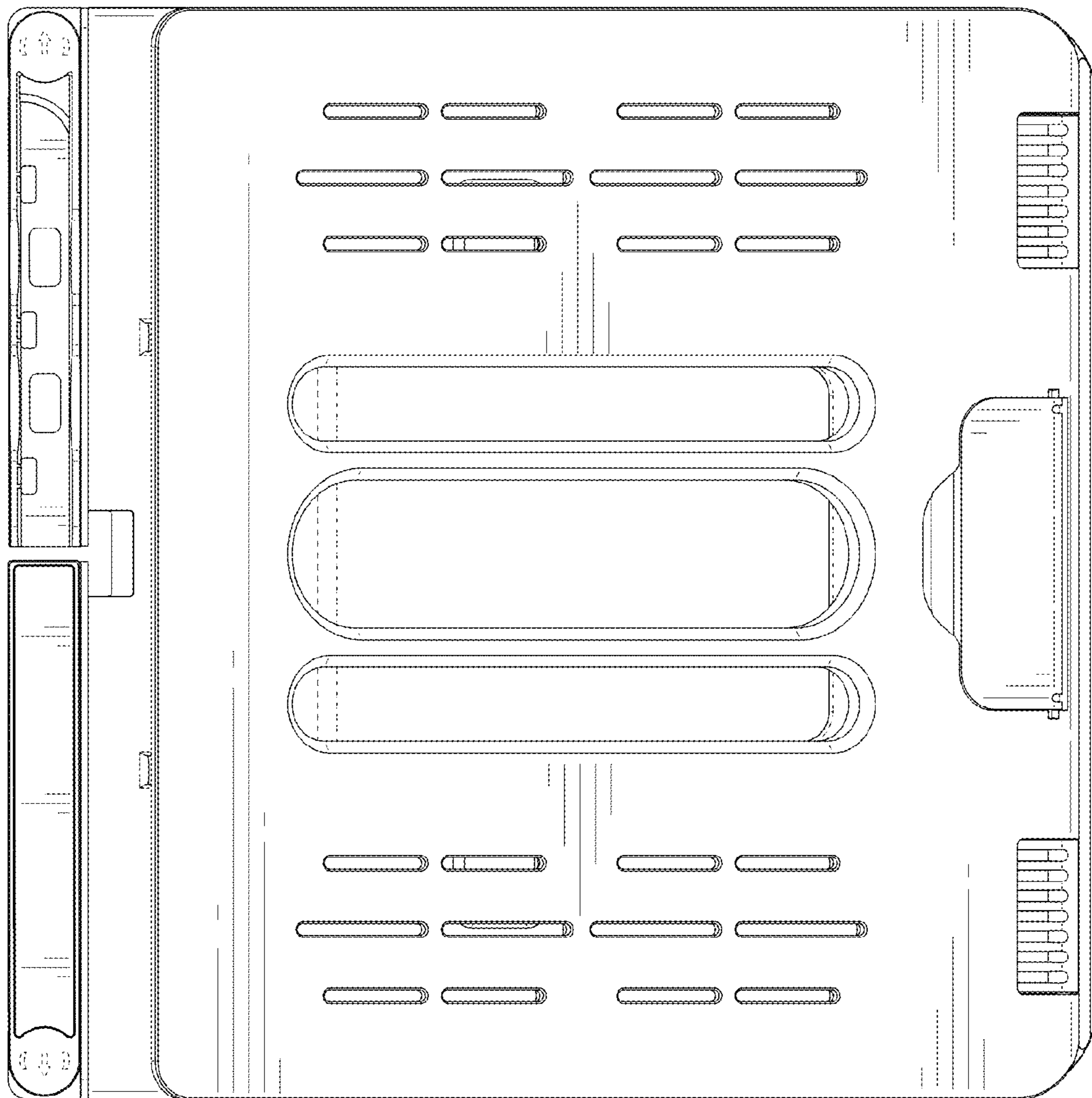


FIG. 7

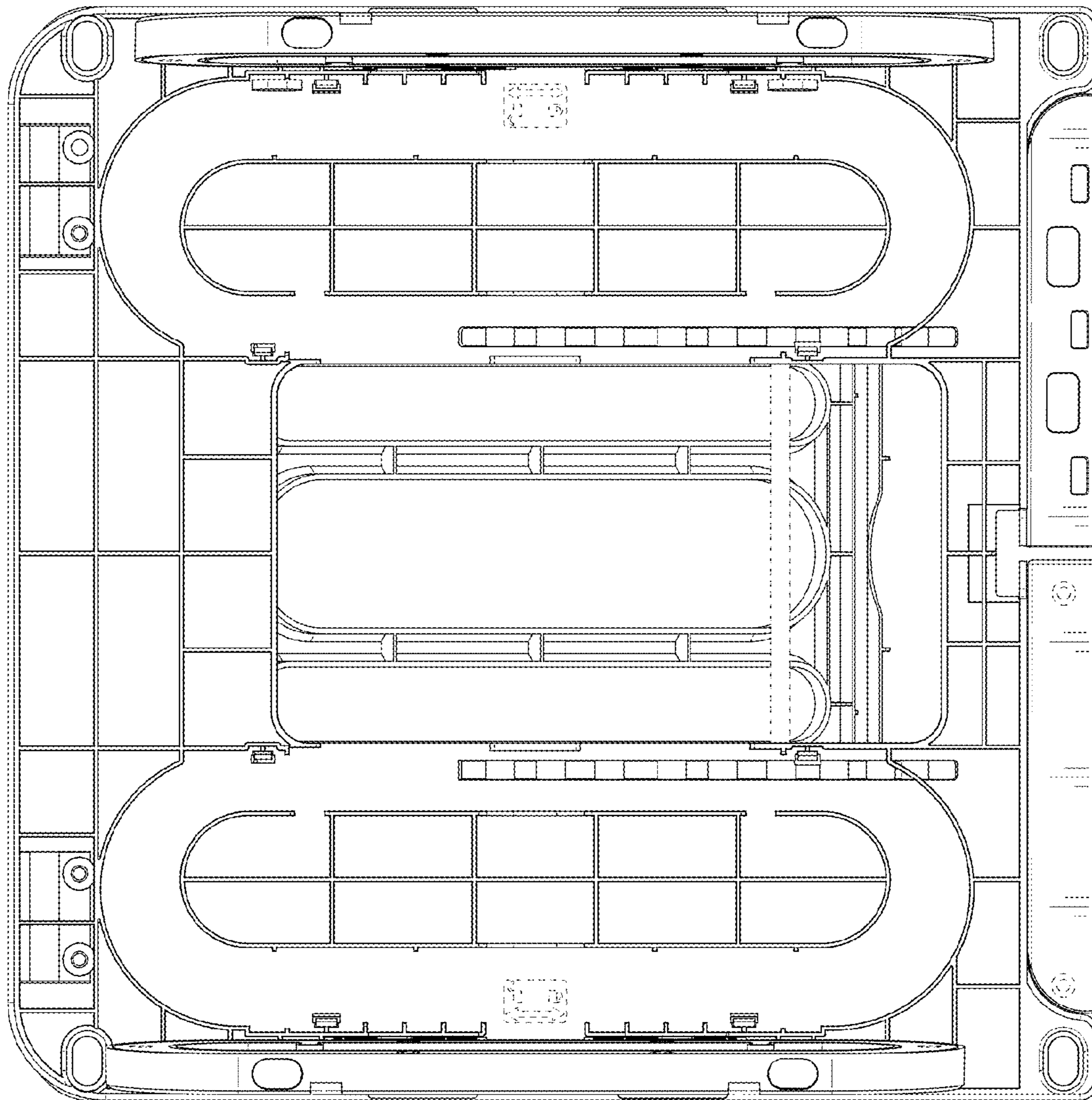


FIG. 8

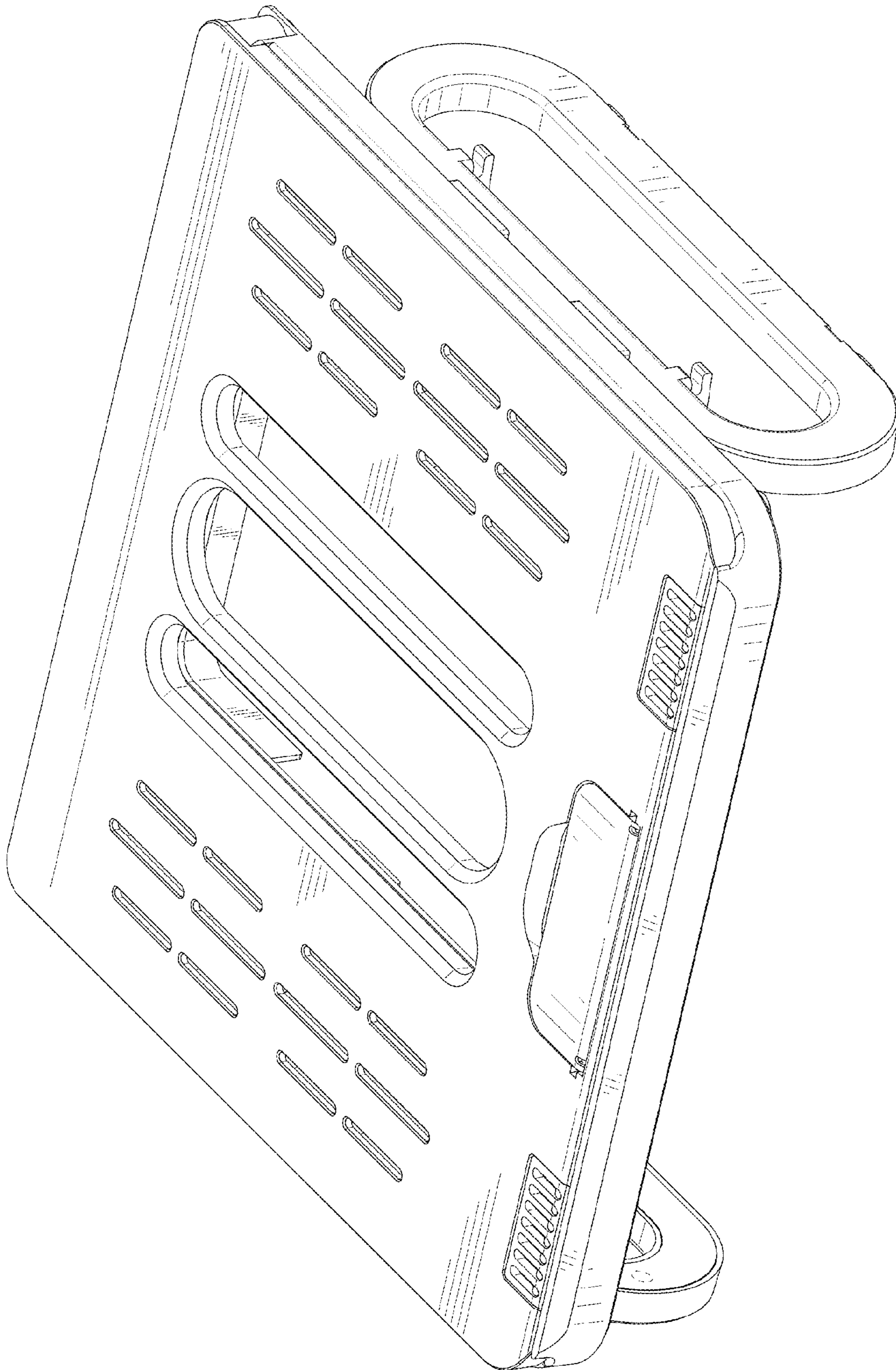


FIG. 9

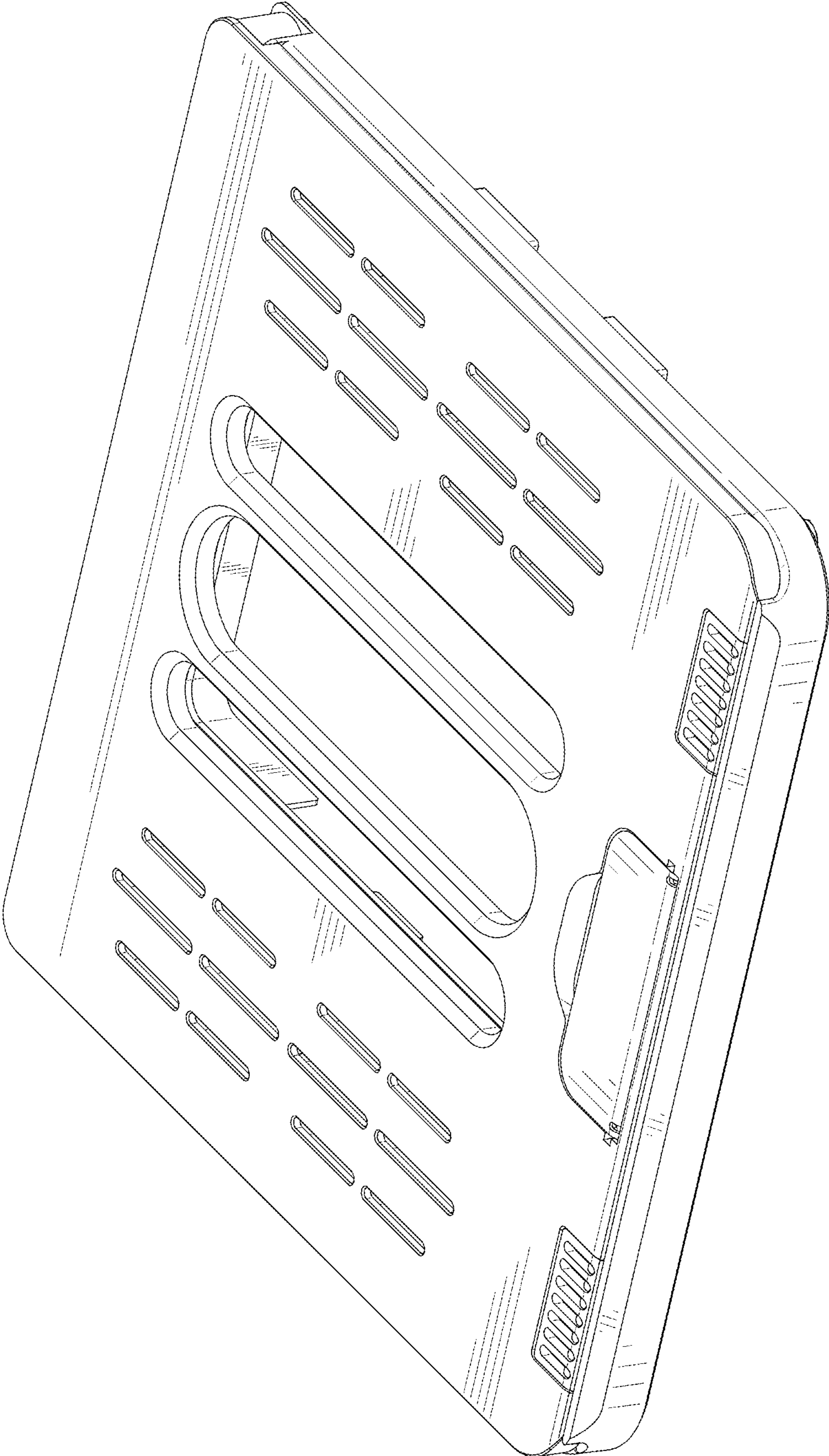


FIG. 10

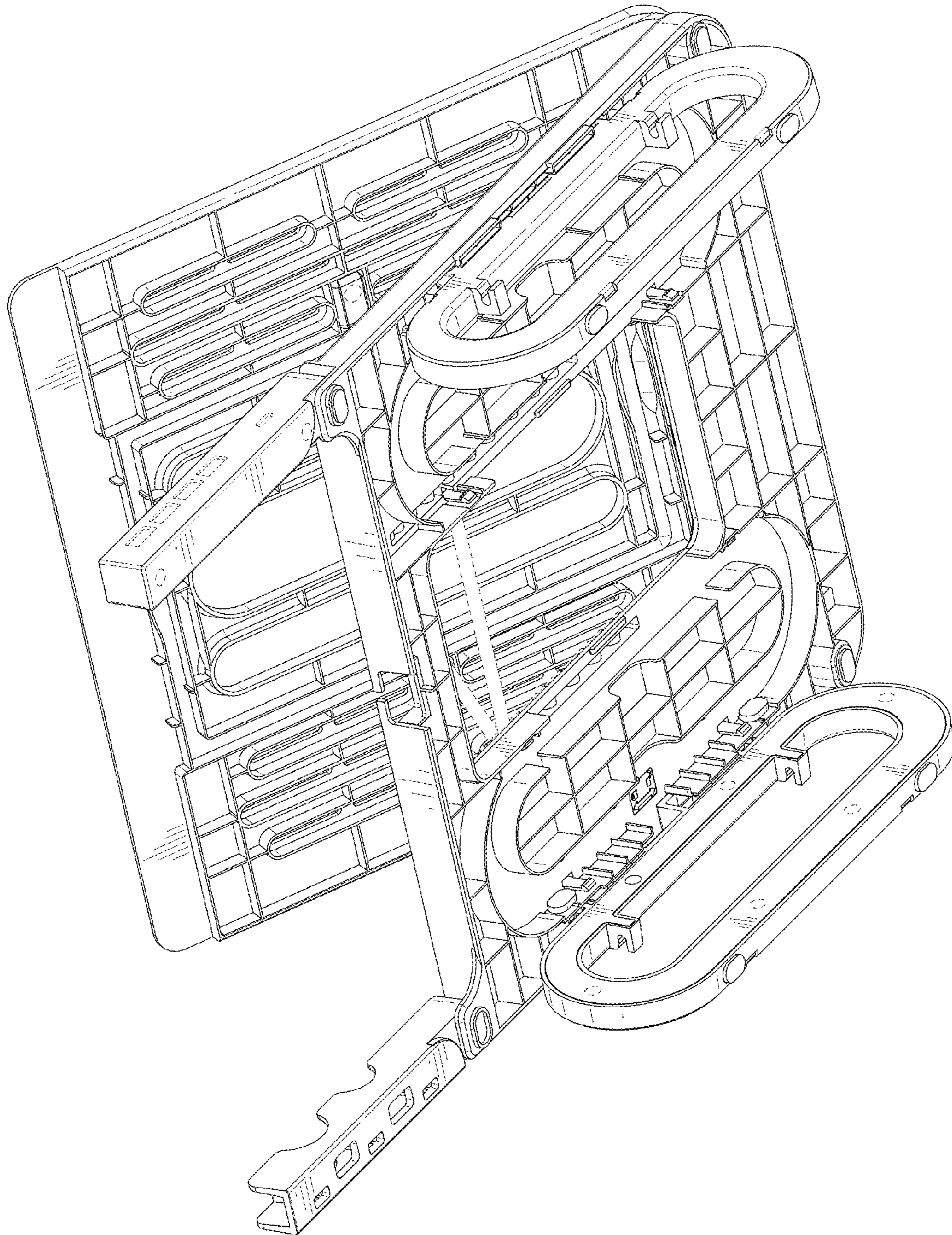


FIG. 11

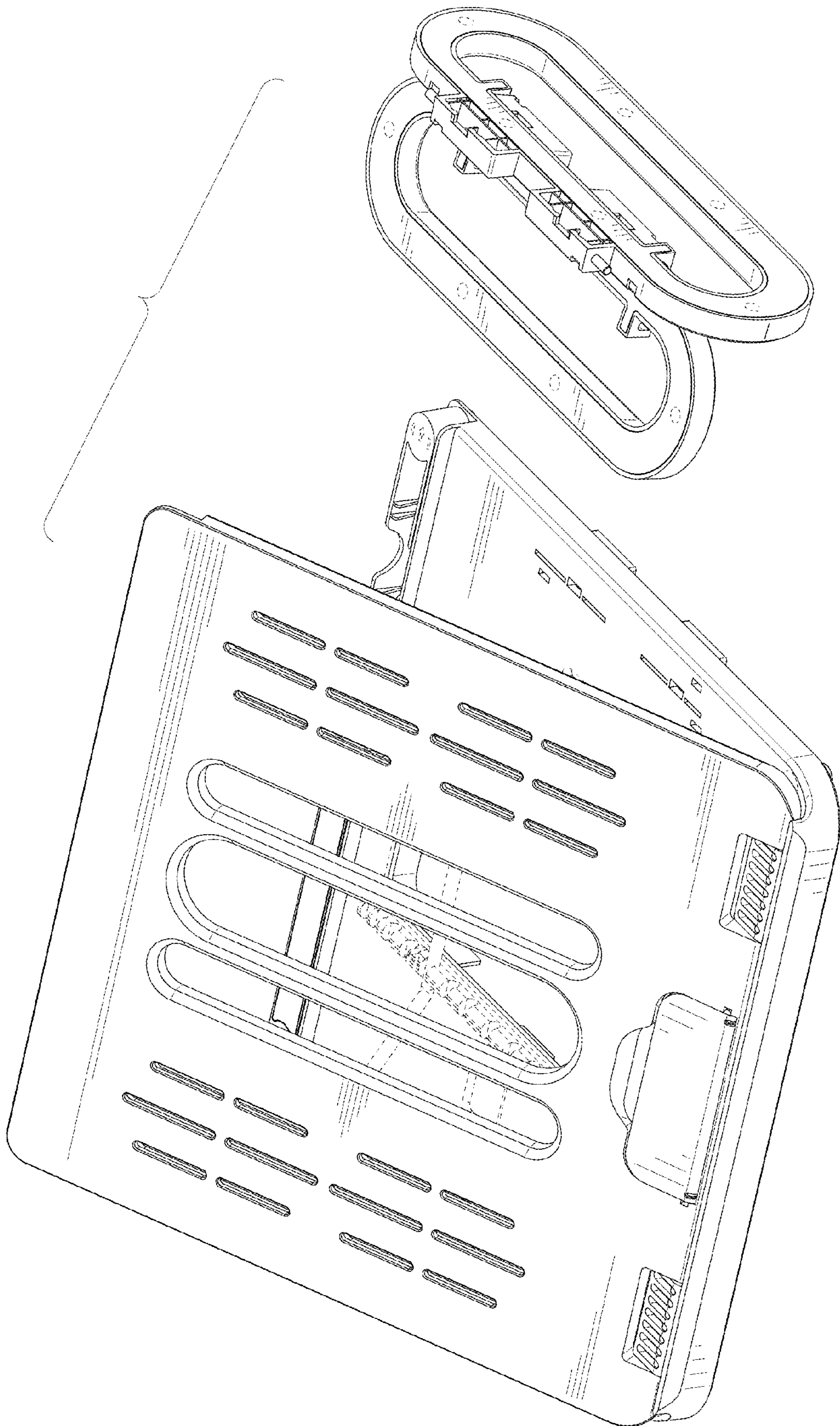


FIG. 12