



US00D921394S

(12) **United States Design Patent**
Rytman et al.

(10) **Patent No.:** **US D921,394 S**
(45) **Date of Patent:** **** Jun. 8, 2021**

(54) **CONVERTIBLE FURNITURE**

(71) Applicant: **Tablebed Oy**, Turku (FI)

(72) Inventors: **Mark Rytman**, Turku (FI); **Dine Renfors**, Turku (FI)

(73) Assignee: **Tablebed Oy**, Turku (FI)

(**) Term: **15 Years**

(21) Appl. No.: **29/730,016**

(22) Filed: **Mar. 31, 2020**

(30) **Foreign Application Priority Data**

Oct. 2, 2019 (EM) 006971610-0002

(51) **LOC (13) Cl.** **06-02**

(52) **U.S. Cl.**
USPC **D6/384**

(58) **Field of Classification Search**
USPC D6/382-384
CPC A47B 85/06; A47C 13/00; A47C 17/52;
A47C 17/54; A47C 17/58; A47C 17/62;
A47C 19/205
See application file for complete search history.

(56) **References Cited**

U.S. PATENT DOCUMENTS

- 3,311,932 A * 4/1967 Ahola A47C 19/205
5/9.1
- 3,386,110 A * 6/1968 Vanhentenrijk A47C 17/38
5/3
- 3,828,375 A * 8/1974 Driver A47C 17/40
5/160
- D277,054 S * 1/1985 Hull A47C 17/58
D6/393
- 4,619,005 A * 10/1986 Rutens A47C 17/04
297/174 R

- 4,793,011 A * 12/1988 Eve A47C 17/58
5/136
- 5,440,768 A * 8/1995 Danin A47C 17/60
5/4
- D867,781 S * 11/2019 Jeidel A47C 17/40
D6/383
- 2012/0073045 A1 * 3/2012 Grubb A47C 17/62
5/2.1
- 2014/0047638 A1 * 2/2014 Zimmer A47C 17/62
5/2.1
- 2016/0242556 A1 * 8/2016 Ray A47B 83/00
- 2018/0070733 A1 * 3/2018 Wallis A47C 17/58
- 2019/0191889 A1 * 6/2019 Flora A47B 85/08

* cited by examiner

Primary Examiner — Mary Ann Calabrese

Assistant Examiner — Katelin G Kloberg

(74) *Attorney, Agent, or Firm* — James C. Lydon

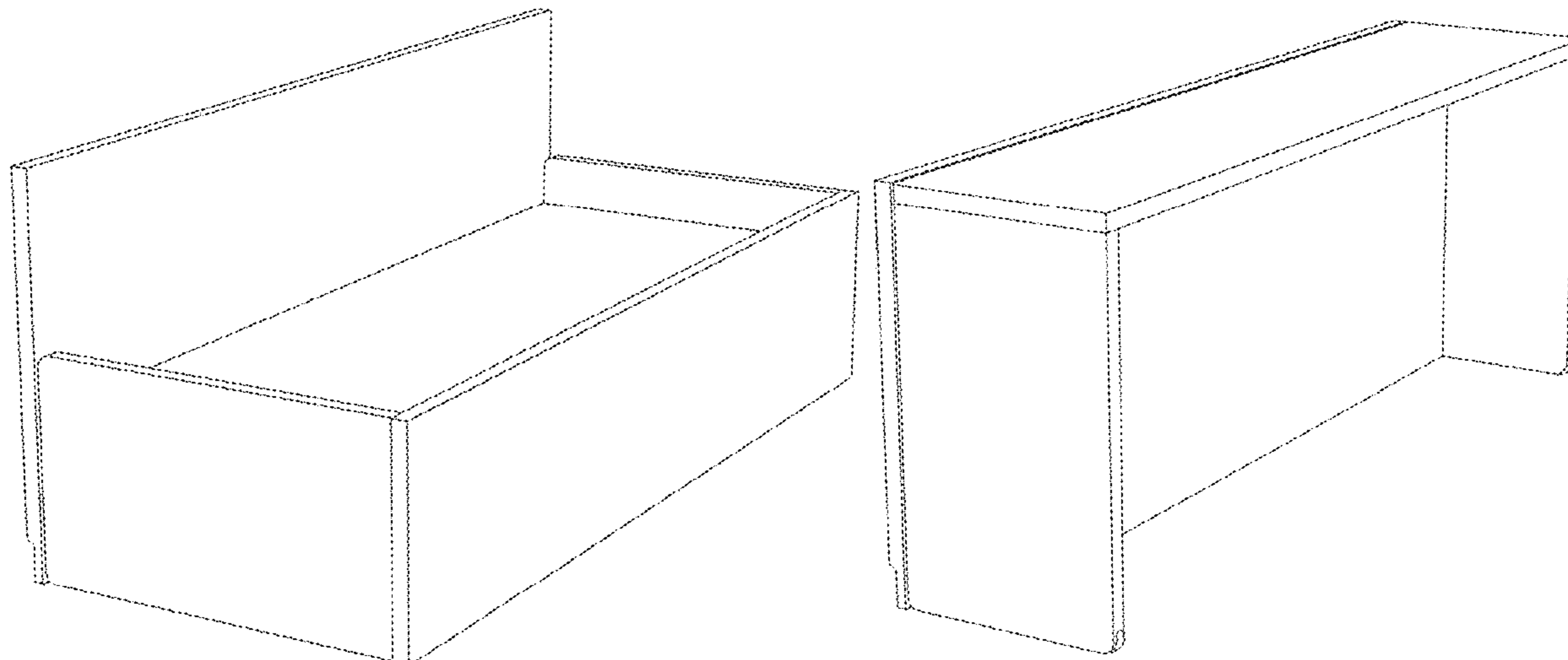
(57) **CLAIM**

The ornamental design for convertible furniture, as shown and described.

DESCRIPTION

FIG. 1 is a perspective view of the convertible furniture, shown in the bed configuration.
 FIG. 2 is a front elevation view thereof.
 FIG. 3 is a top plan view thereof.
 FIG. 4 is a right side elevation view thereof; the left side elevation view is a mirror image thereof.
 FIG. 5 is a bottom plan view thereof.
 FIG. 6 is a perspective view of the convertible furniture, shown in the table configuration.
 FIG. 7 is a front elevation view thereof.
 FIG. 8 is a top plan view thereof.
 FIG. 9 is a right side elevation view thereof; the left side elevation view is a mirror image thereof; and,
 FIG. 10 is a bottom plan view thereof.

1 Claim, 10 Drawing Sheets



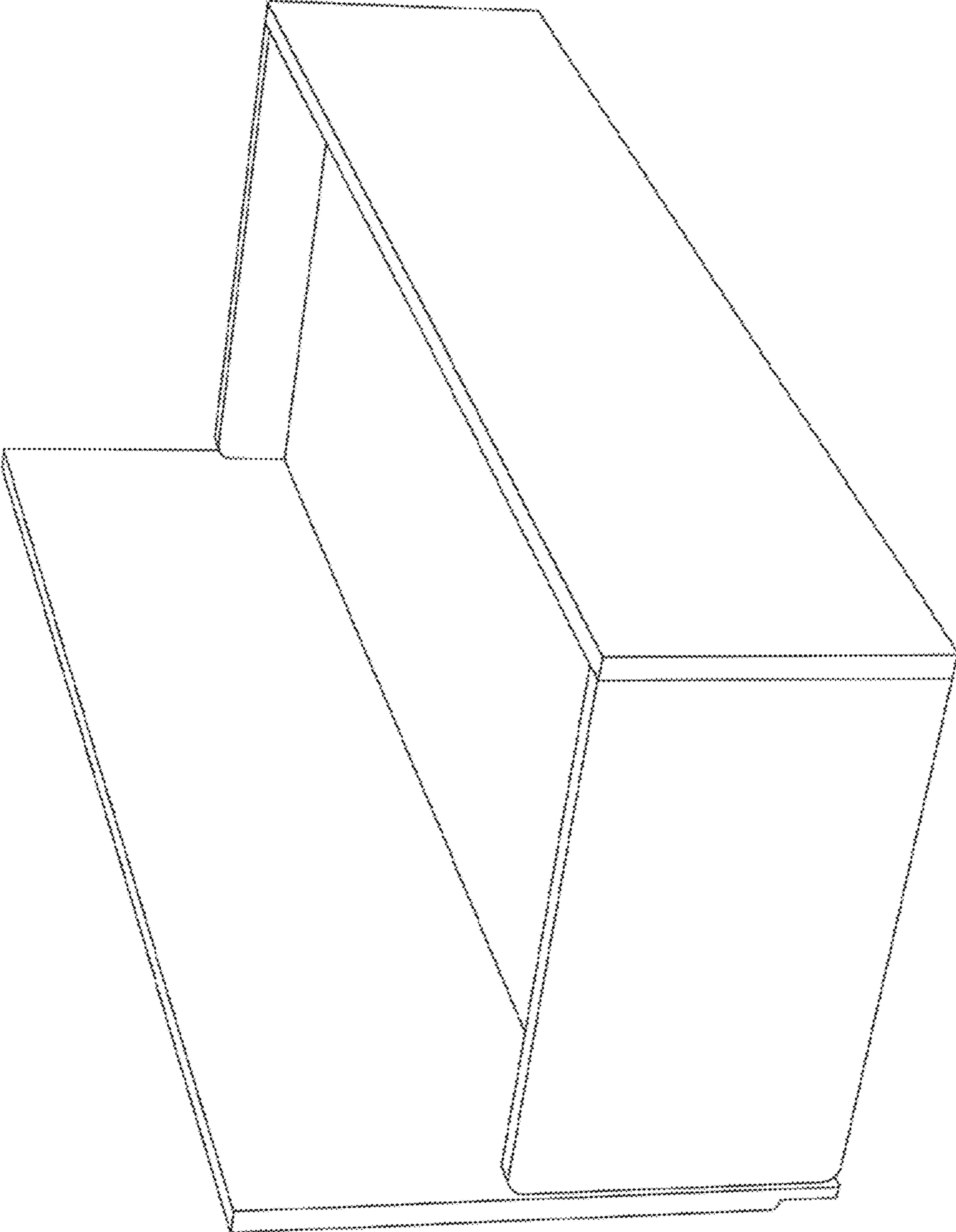


Fig. 1

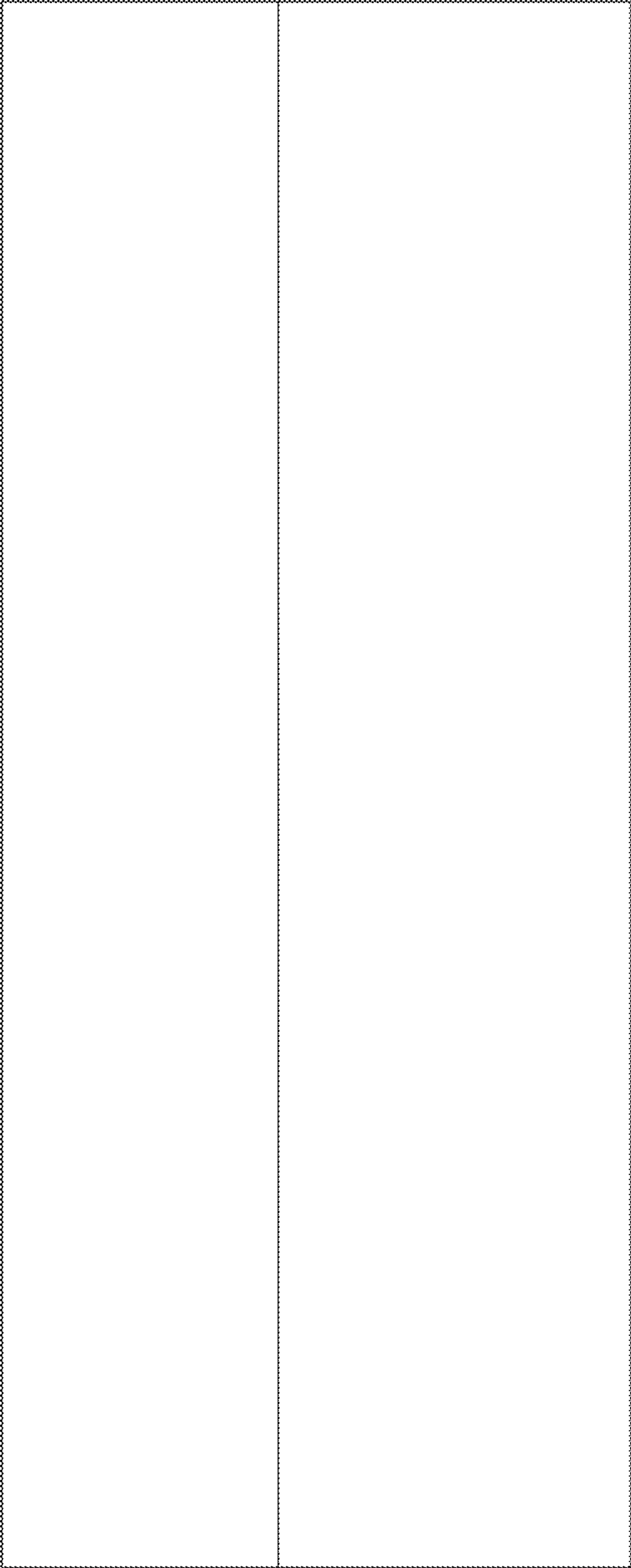
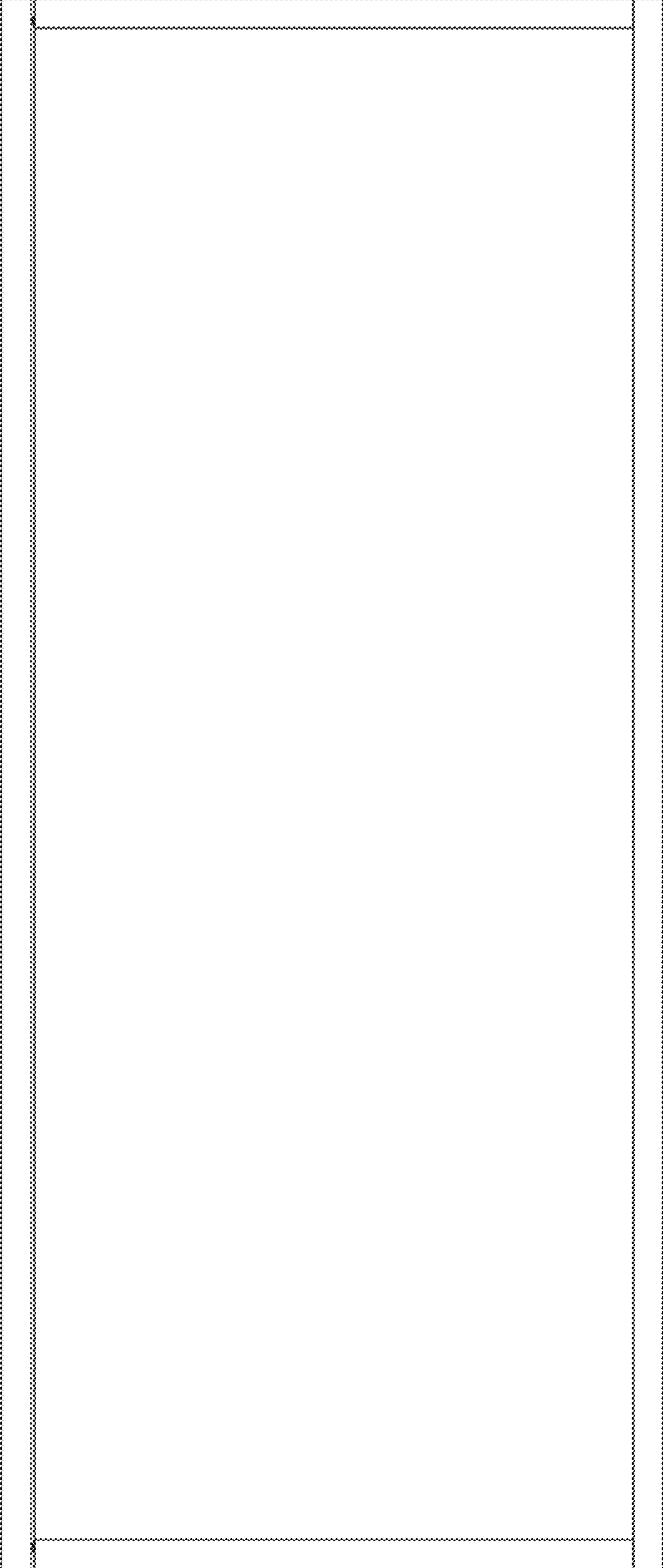


Fig. 2

Fig. 3



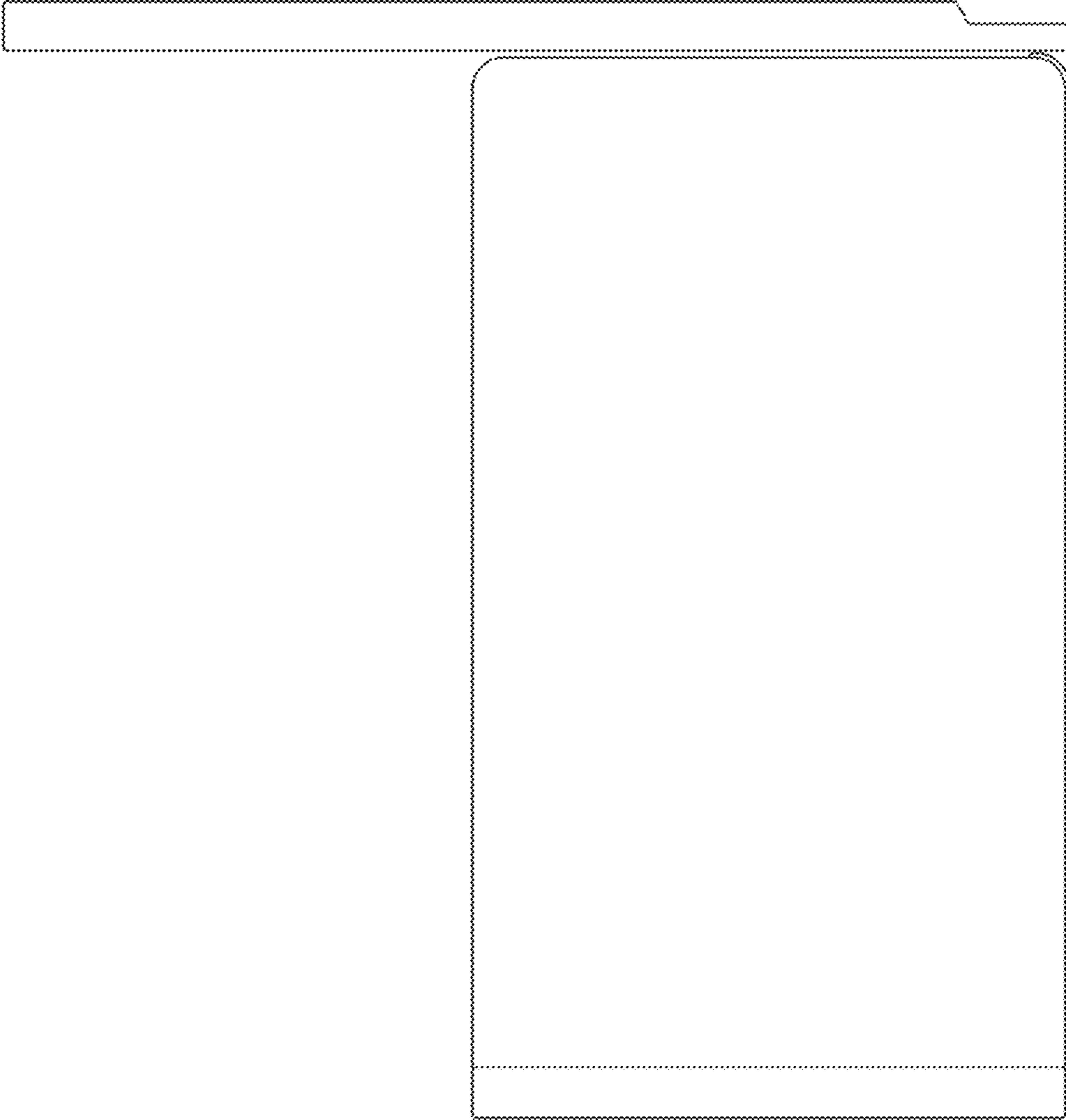
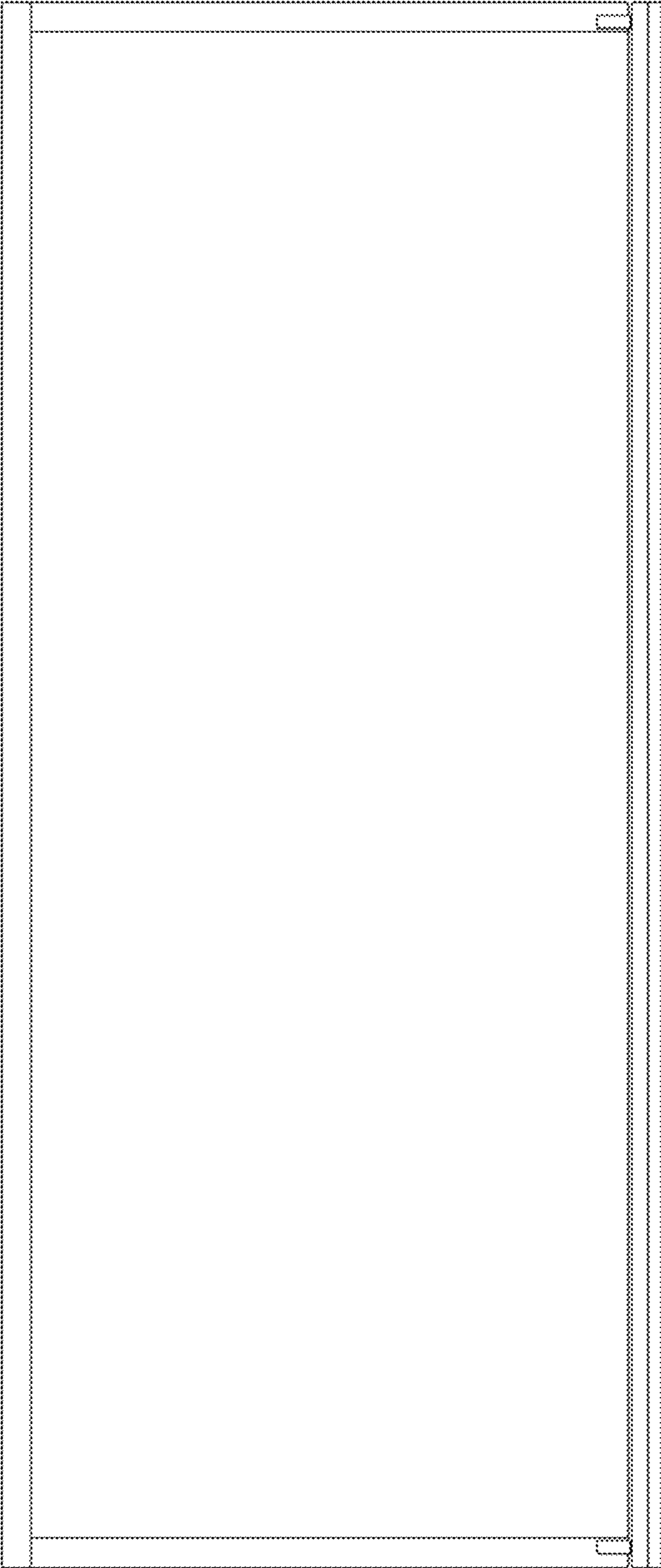


Fig. 4

Fig. 5



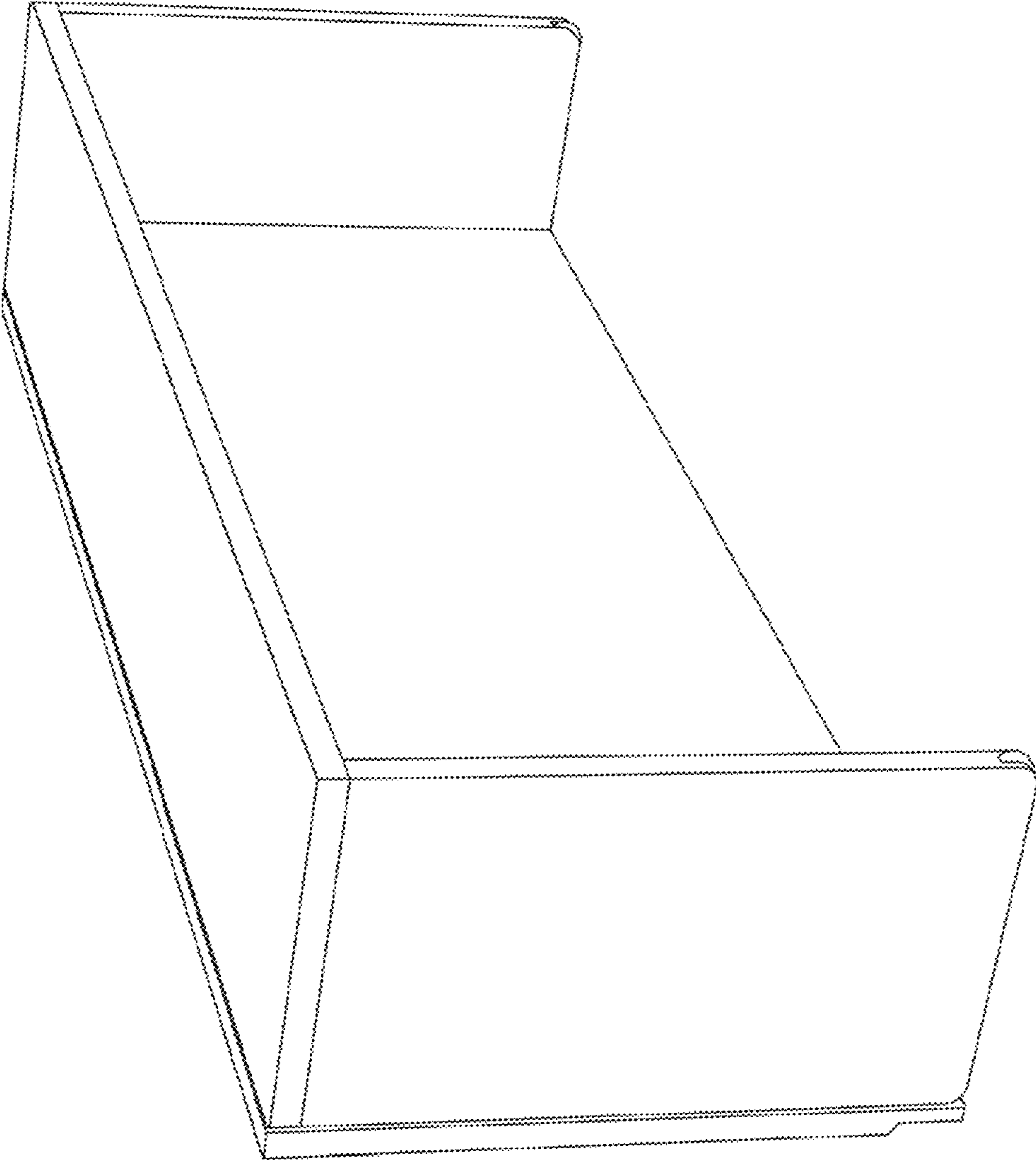


Fig. 6

Fig. 7

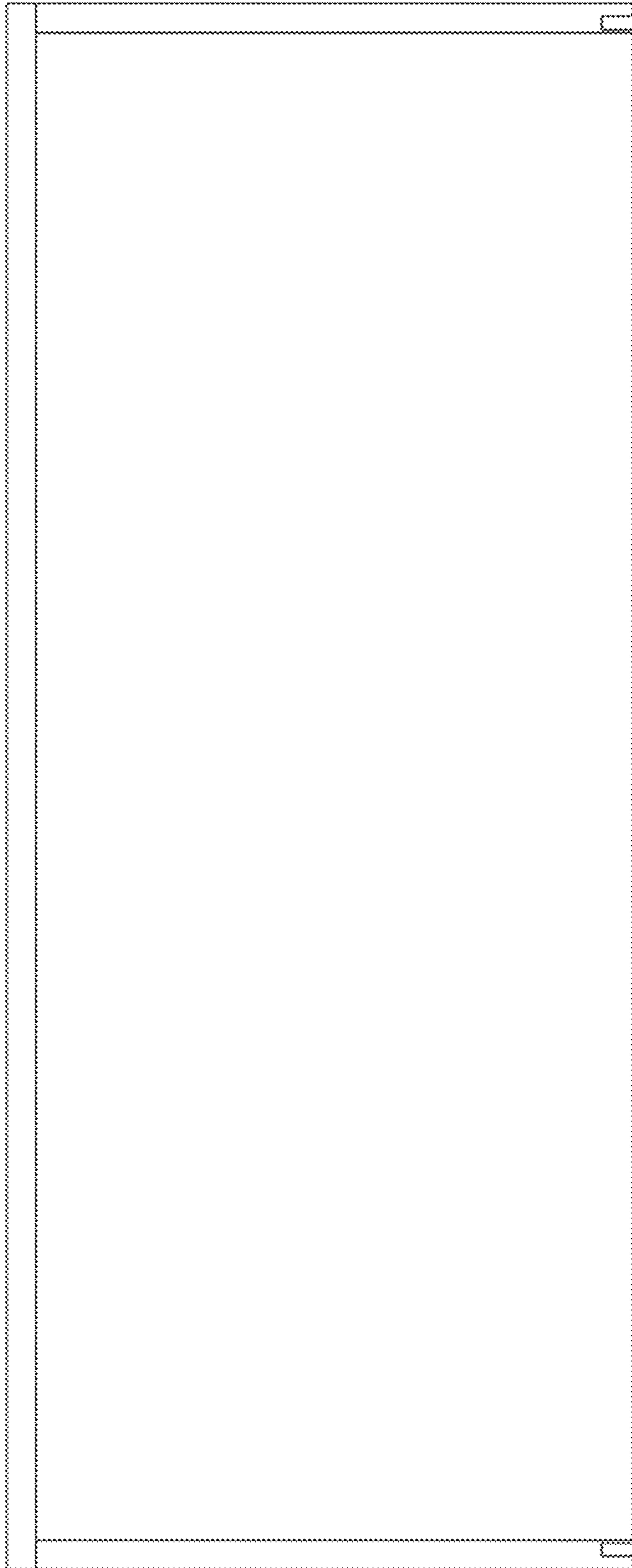
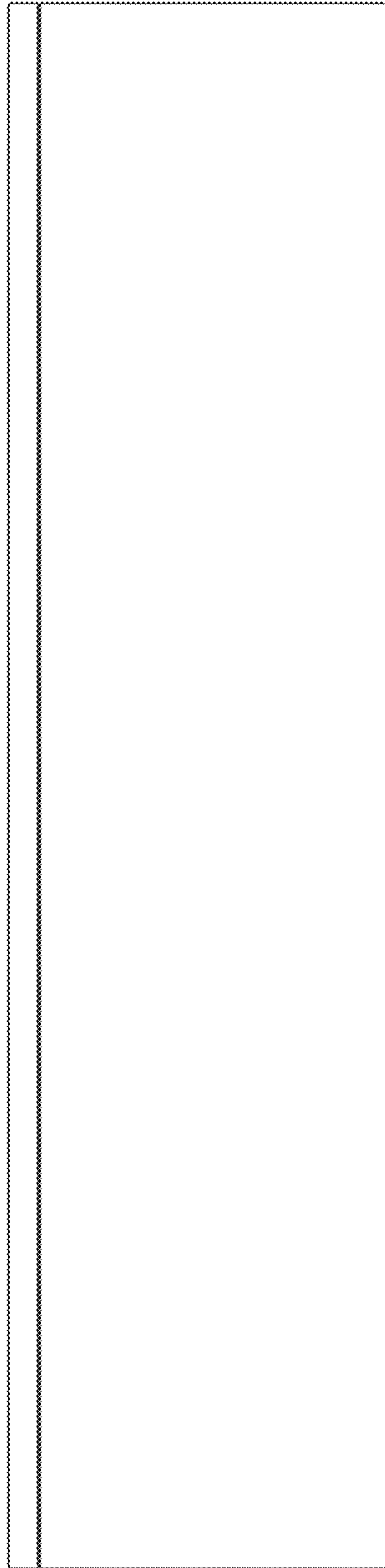


Fig. 8



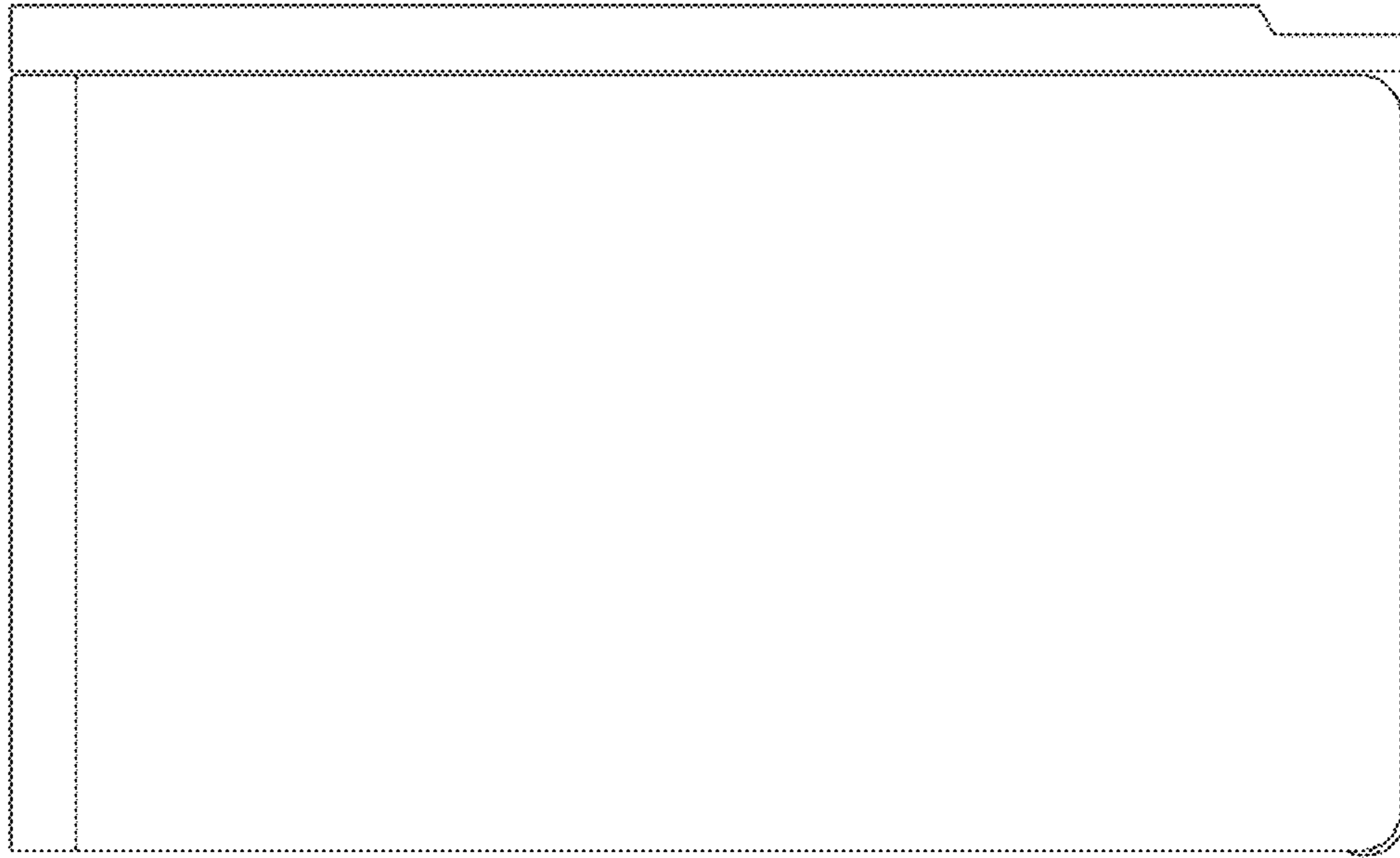


Fig. 9

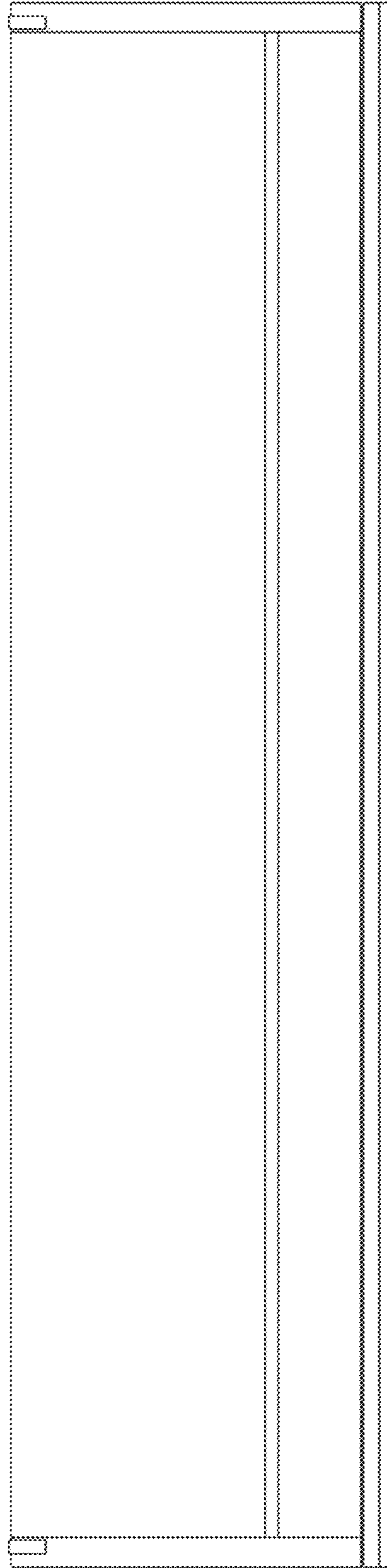


Fig. 10