

US00D921386S

(12) **United States Design Patent** (10) **Patent No.:** **US D921,386 S**  
**Li** (45) **Date of Patent:** **\*\* Jun. 8, 2021**

(54) **CHAIR**

(71) Applicant: **39F USA INC**, Rancho Cucamonga, CA (US)

(72) Inventor: **Yuehai Li**, Rancho Cucamonga, CA (US)

(\*\*) Term: **15 Years**

(21) Appl. No.: **29/700,233**

(22) Filed: **Jul. 31, 2019**

(51) **LOC (13) Cl.** ..... **06-01**

(52) **U.S. Cl.**  
USPC ..... **D6/366**

(58) **Field of Classification Search**  
USPC ..... D6/334-336, 364, 365, 366, 372, 373, D6/374, 375, 716, 716.1, 716.2, 716.4, D6/708.23, 708.24  
CPC .. A47C 3/12; A47C 3/18; A47C 4/028; A47C 7/004; A47C 7/006; A47C 7/022; A47C 7/18; A47C 7/24; A47C 7/40; A47C 7/54; A47C 5/12; A47C 7/16  
See application file for complete search history.

(56) **References Cited**

U.S. PATENT DOCUMENTS

D245,378 S \* 8/1977 Roericht ..... D6/366  
D248,068 S \* 6/1978 Roericht ..... D6/366

D585,206 S \* 1/2009 Mourgue ..... D6/373  
D585,656 S \* 2/2009 Massaud ..... D6/366  
D766,640 S \* 9/2016 Kubryk ..... D6/716  
D828,063 S \* 9/2018 Yuglich ..... D6/716  
D859,019 S \* 9/2019 Lievore ..... D6/366  
D859,868 S \* 9/2019 Lievore ..... D6/375  
D859,869 S \* 9/2019 Lievore ..... D6/375  
D869,190 S \* 12/2019 Lievore ..... D6/375  
D904,778 S \* 12/2020 Nichetto ..... D6/364

\* cited by examiner

*Primary Examiner* — Mimosa De

(74) *Attorney, Agent, or Firm* — Feng Qian

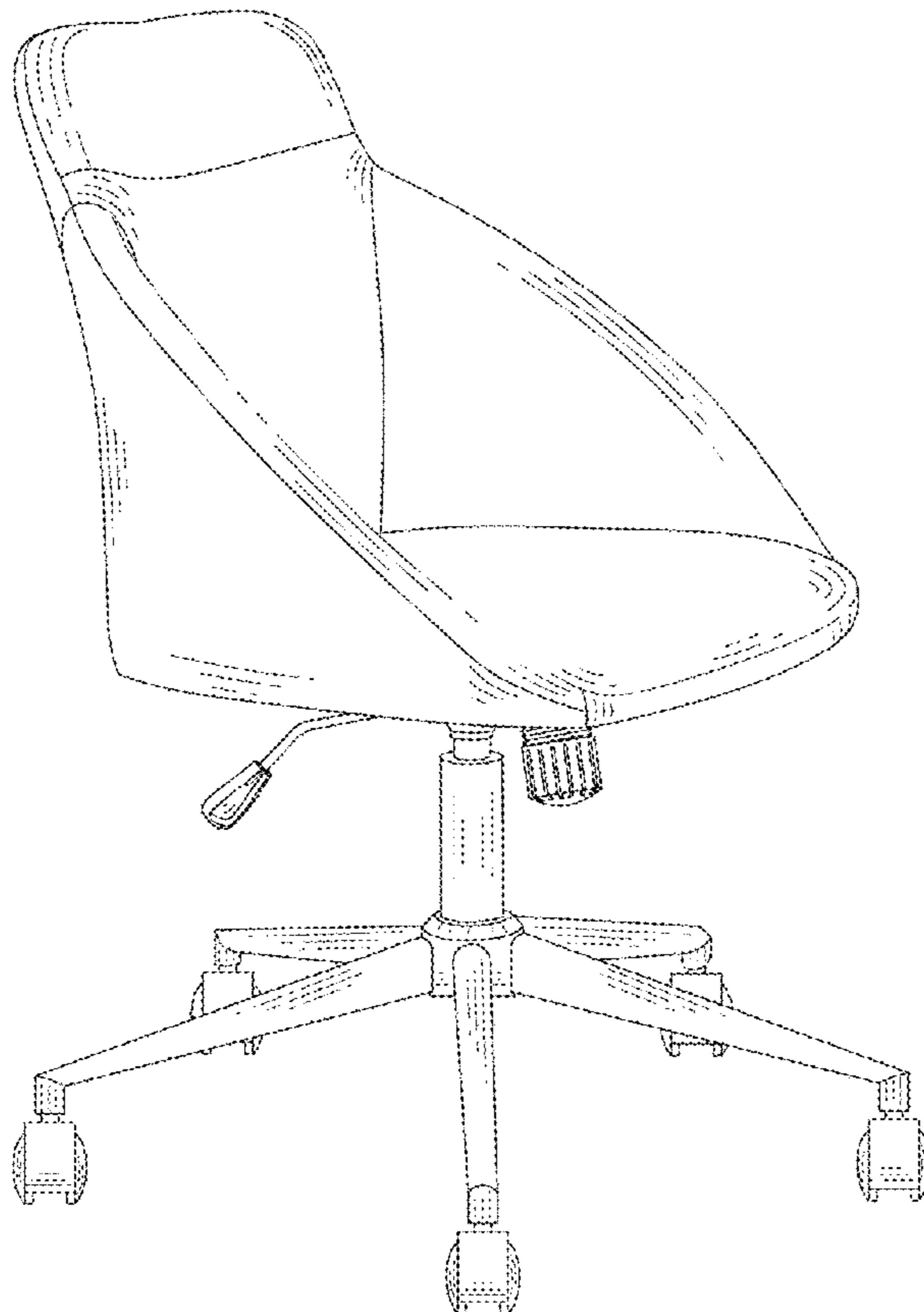
(57) **CLAIM**

The ornamental design for a chair, as shown and described.

**DESCRIPTION**

FIG. 1 is a front perspective view of a chair showing my new design;  
FIG. 2 is a front elevation view thereof;  
FIG. 3 is a rear elevation view thereof;  
FIG. 4 is a left-side elevation view thereof;  
FIG. 5 is a right-side elevation view thereof;  
FIG. 6 is a top plan view thereof; and,  
FIG. 7 is a bottom plan view thereof.  
The broken lines shown in FIG. 7 depict portions of the chair that form no part of the claimed design.

**1 Claim, 7 Drawing Sheets**



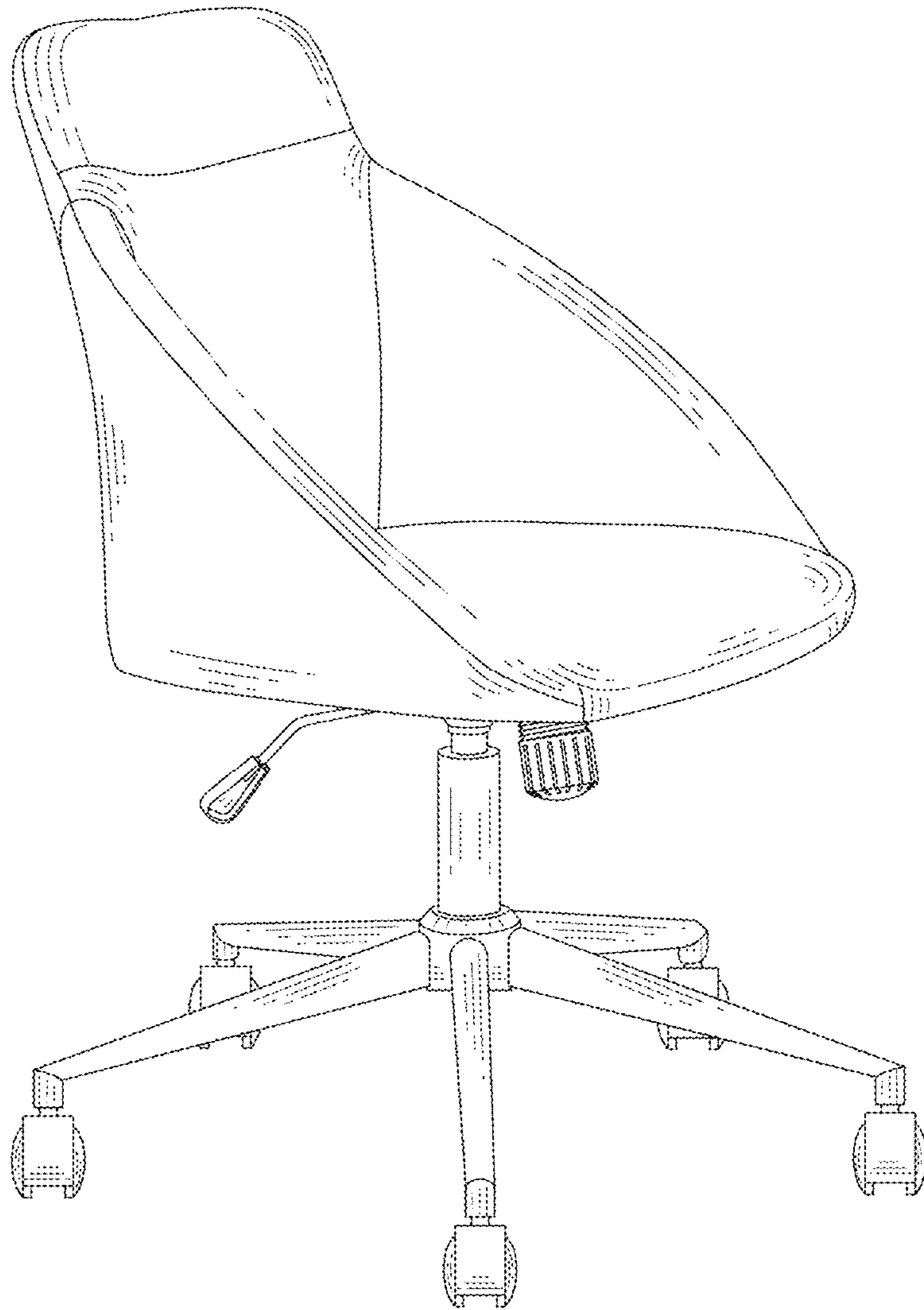


Fig.1

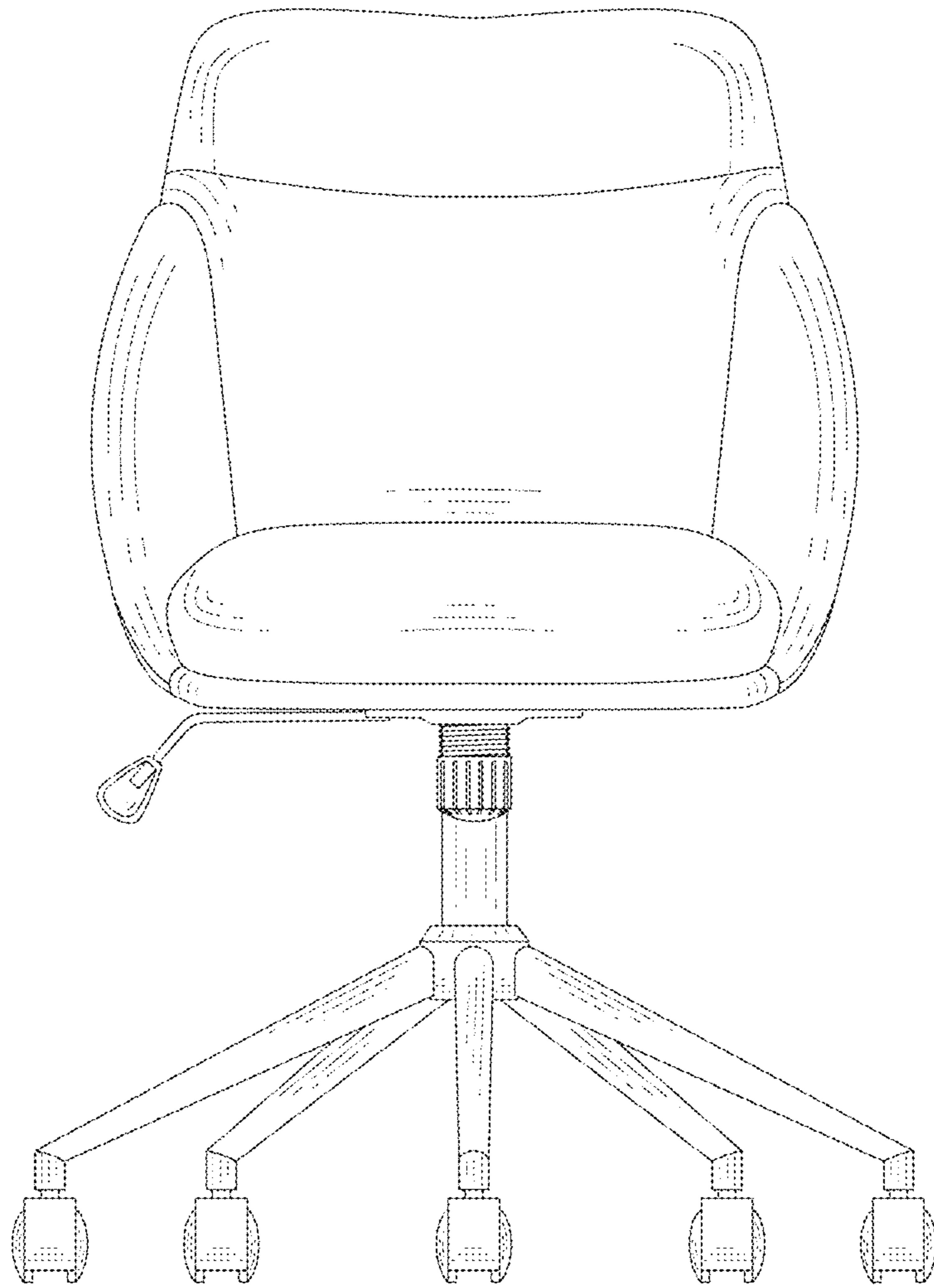


Fig.2

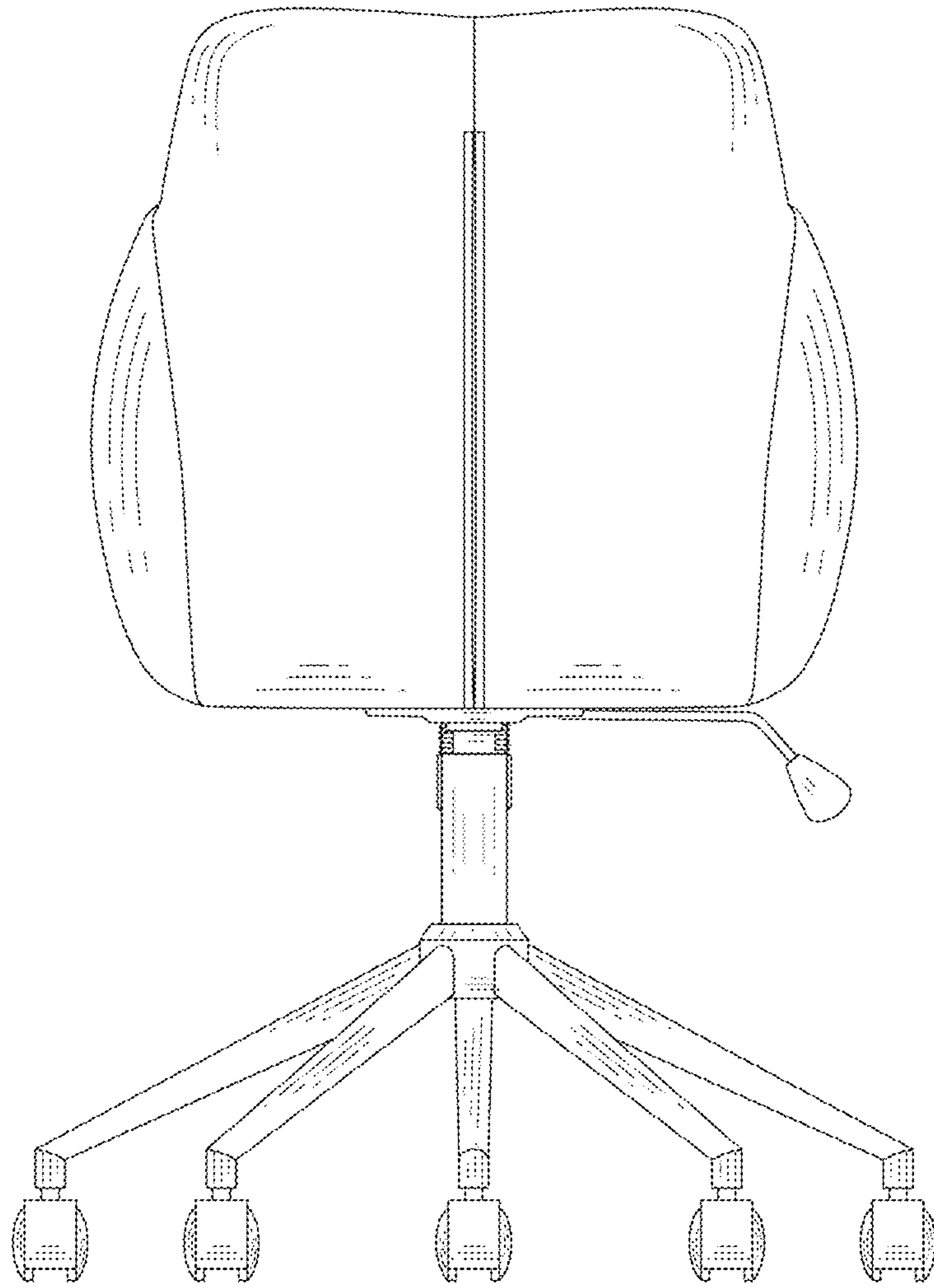


Fig.3

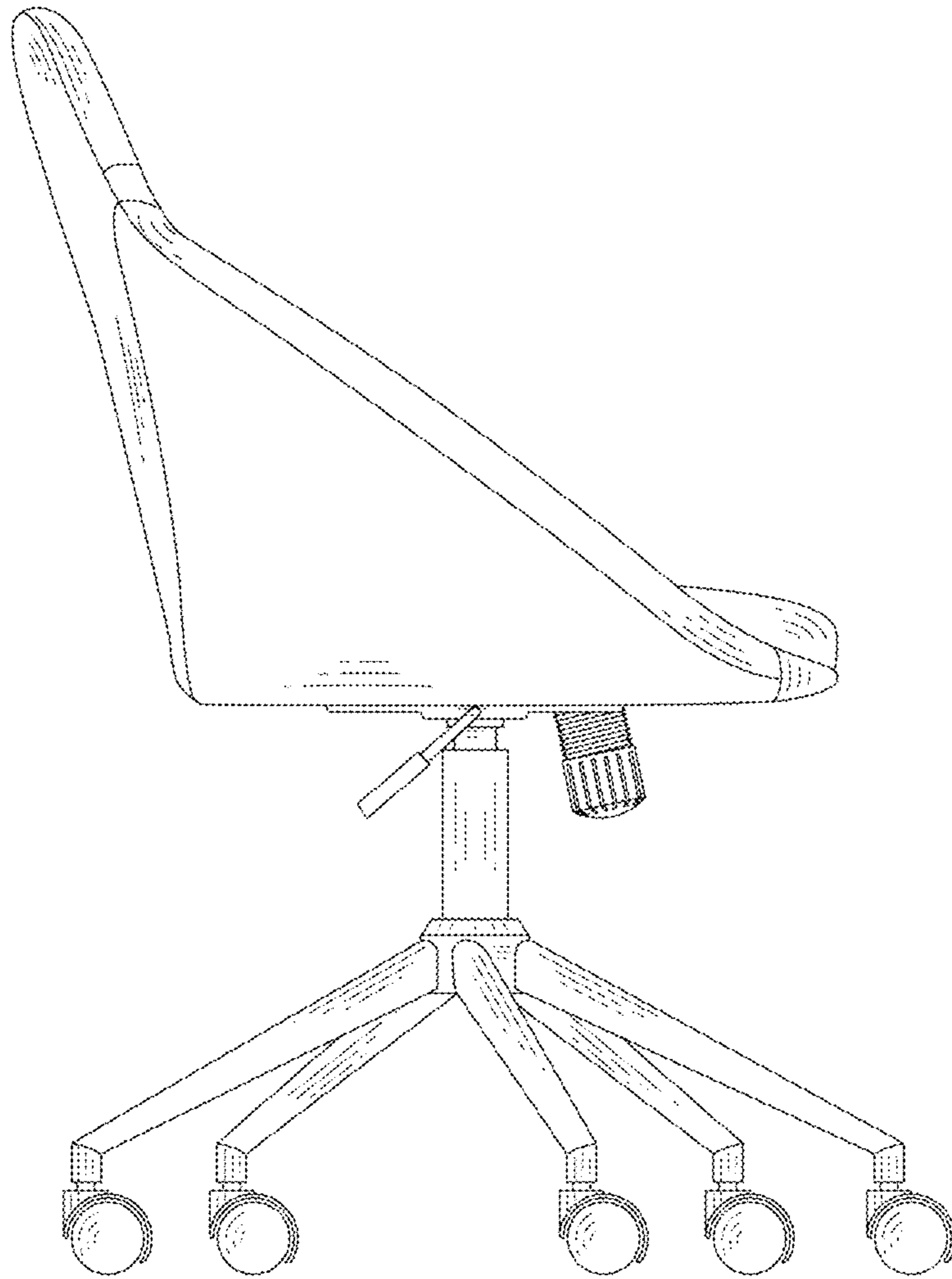


Fig.4

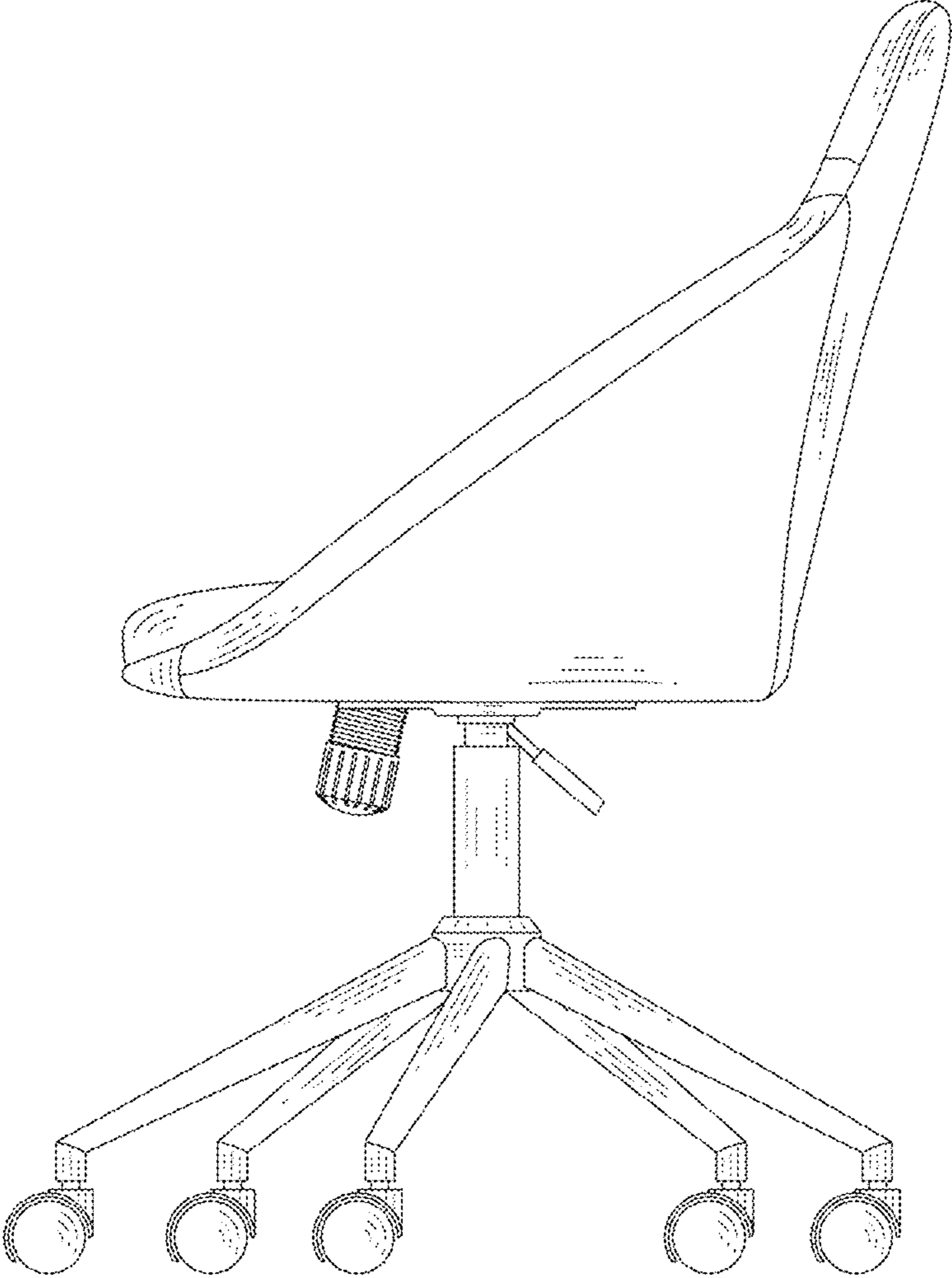


Fig.5

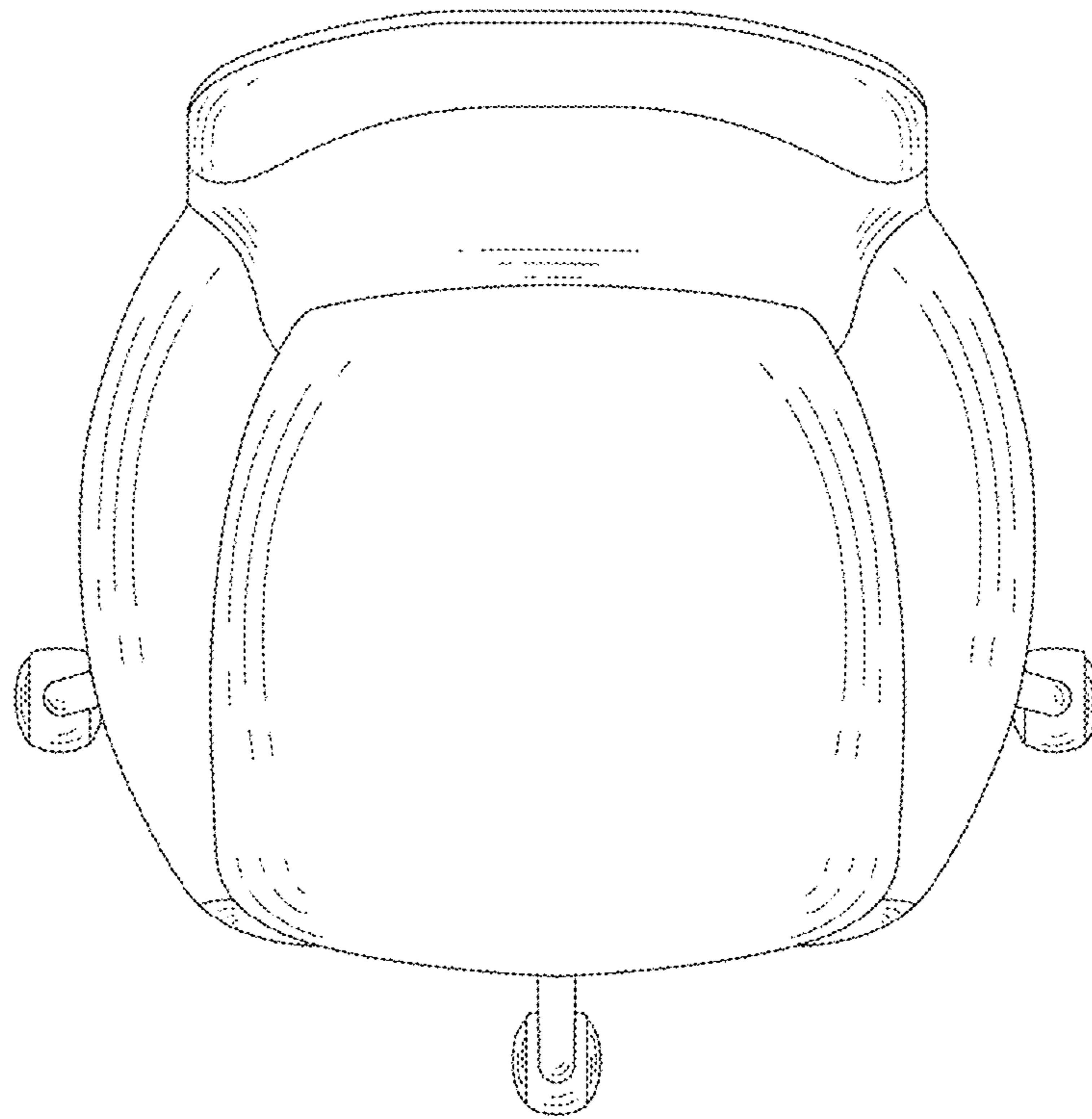


Fig.6

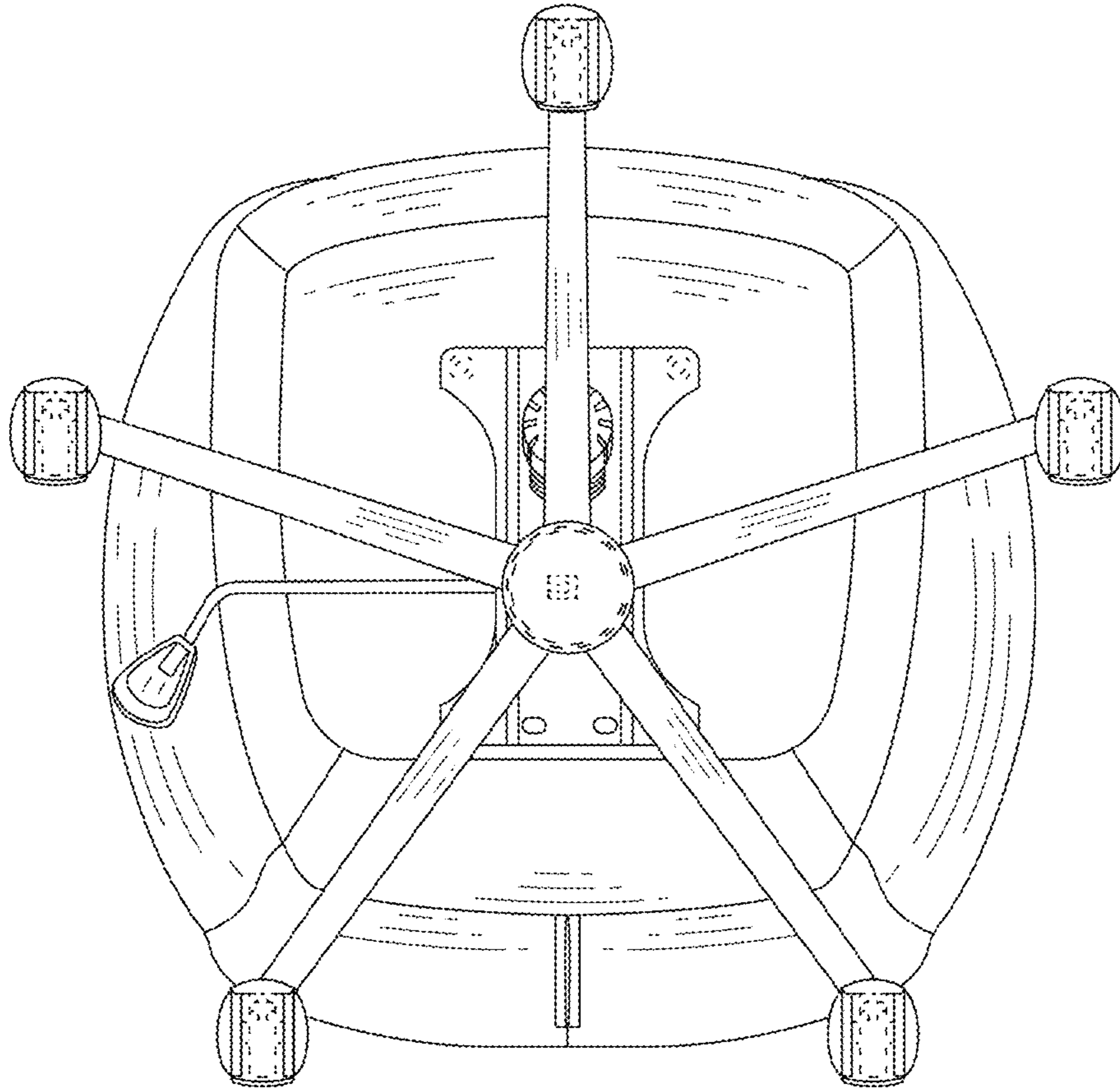


Fig.7