



US00D921383S

(12) **United States Design Patent**  
**Davis et al.**

(10) **Patent No.:** **US D921,383 S**

(45) **Date of Patent:** **\*\* Jun. 8, 2021**

(54) **CHAIR**

(71) Applicant: **EMBRAER S.A.**, São José dos Campos (BR)

(72) Inventors: **Chase Davis**, São José dos Campos (BR); **Jay Beever**, São José dos Campos (BR); **Sérgio Raphael Fonseca Affonso**, São José dos Campos (BR)

(73) Assignee: **EMBRAER S.A.**, São José dos Campos (BR)

(\*\*) Term: **15 Years**

(21) Appl. No.: **29/700,295**

(22) Filed: **Aug. 1, 2019**

(51) **LOC (13) Cl.** ..... **06-01**

(52) **U.S. Cl.**  
USPC ..... **D6/364**

(58) **Field of Classification Search**  
USPC ..... D6/334, 349, 350, 360, 362, 364, 367, D6/368, 374, 375, 379, 380, 716.2, 716.7  
CPC .... A47C 3/00; A47C 3/20; A47C 7/50; A47C 7/54; A47C 4/28; A47C 9/007; A47C 16/02; A47C 1/00; A47C 1/02; A47C 1/03; A47C 1/024; A47C 1/037  
See application file for complete search history.

(56) **References Cited**

**U.S. PATENT DOCUMENTS**

D333,736 S \* 3/1993 Nordstrom ..... D24/183  
D578,787 S \* 10/2008 Genelli ..... D6/367

D792,726 S \* 7/2017 Patir ..... D6/716  
D793,110 S \* 8/2017 Patir ..... D6/364  
D808,185 S \* 1/2018 Kondo ..... D6/356  
D846,907 S \* 4/2019 Morgan ..... D6/367  
D852,531 S \* 7/2019 Morgan ..... D6/367  
D867,002 S \* 11/2019 Lauter ..... D6/356  
D873,577 S \* 1/2020 Chen ..... D6/367  
D888,445 S \* 6/2020 Luis ..... D6/356  
D889,149 S \* 7/2020 Bell ..... D6/356  
2020/0156514 A1 \* 5/2020 Sweeney ..... A47C 4/028  
2020/0205574 A1 \* 7/2020 Fiden ..... A47C 7/46

\* cited by examiner

*Primary Examiner* — R. Johnson

(74) *Attorney, Agent, or Firm* — Nixon & Vanderhye P.C.

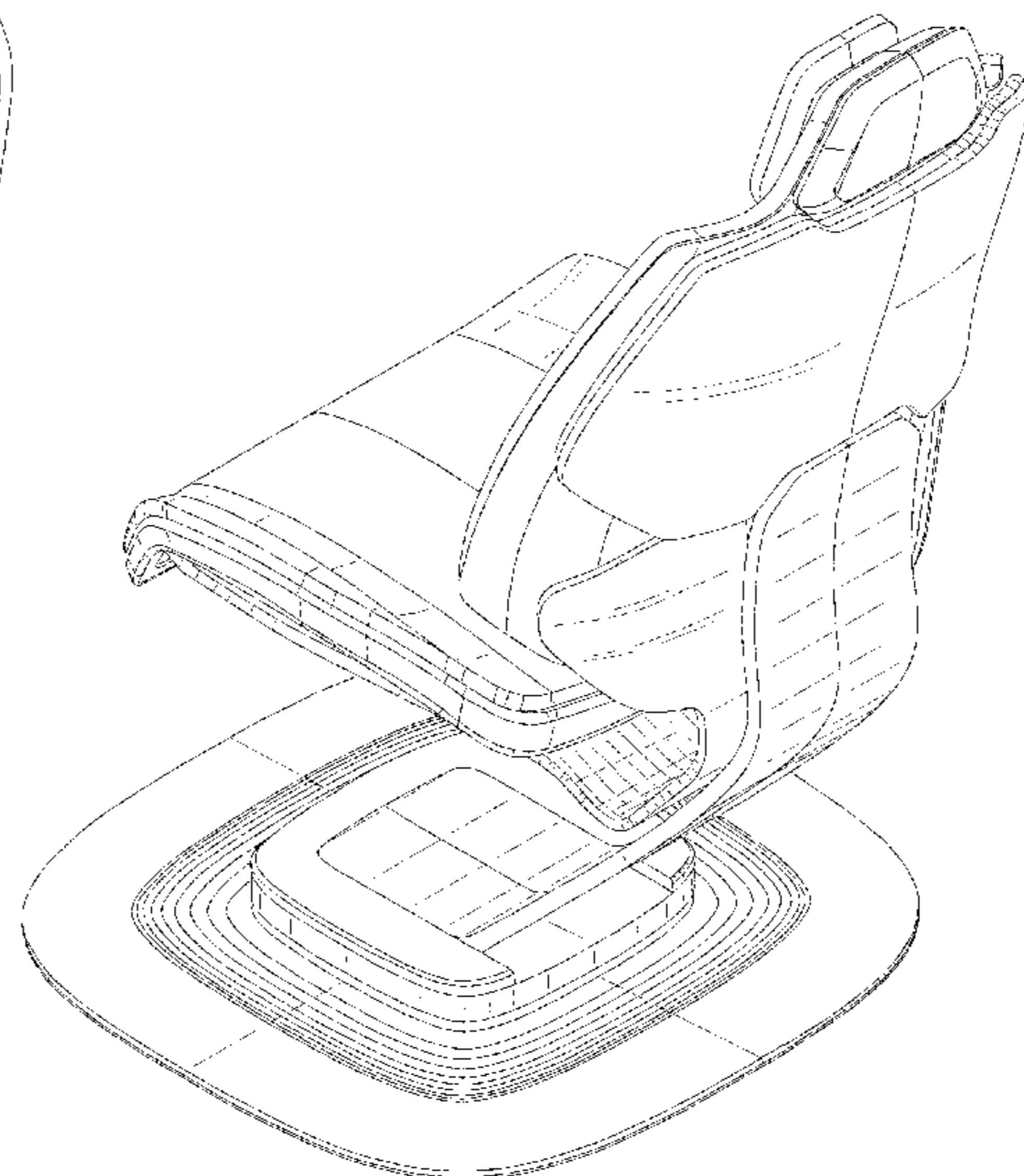
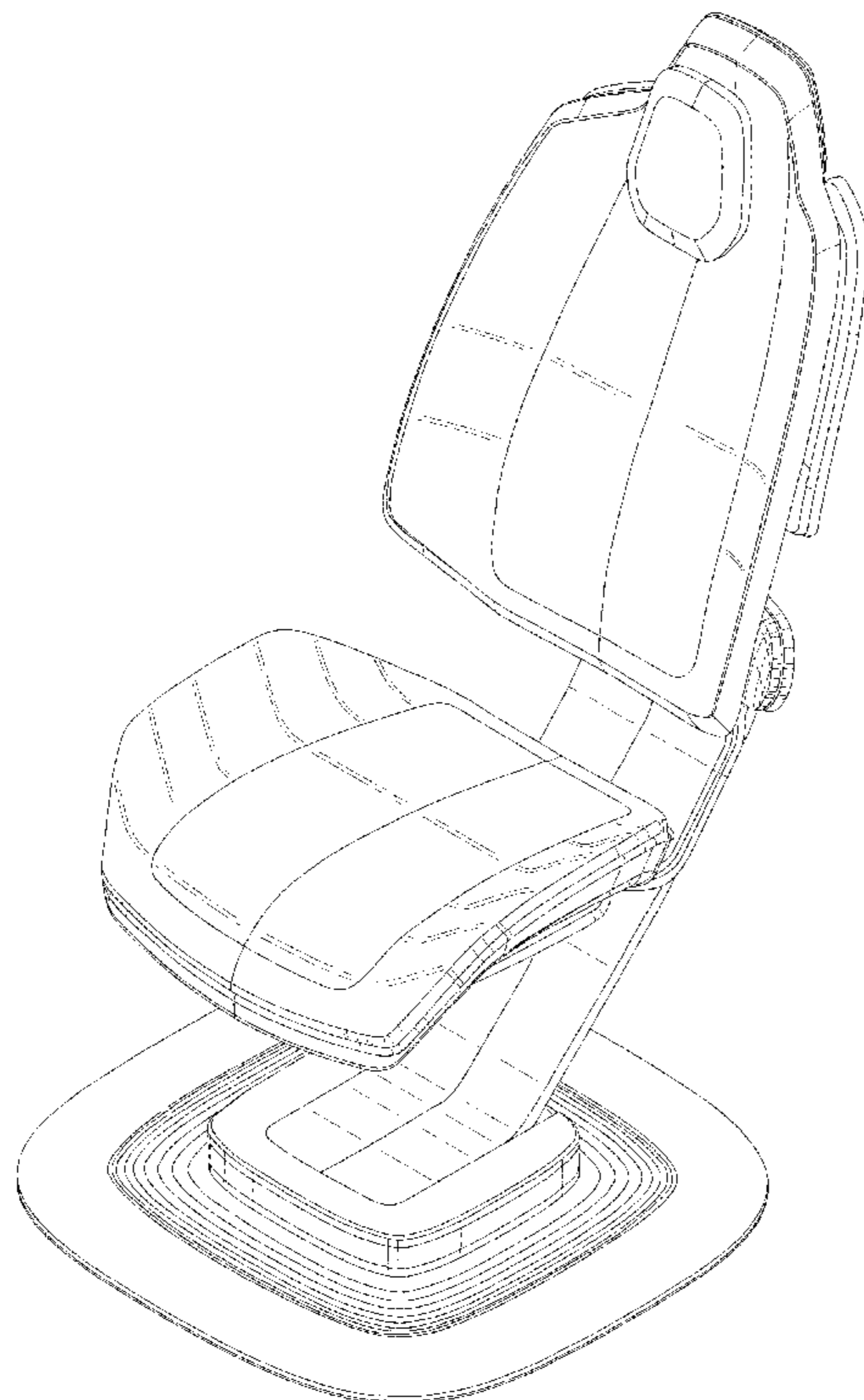
(57) **CLAIM**

The ornamental design for a chair, as shown and described.

**DESCRIPTION**

FIG. 1 is a left front perspective view showing our new and original design for a chair;  
FIG. 2 is a left rear perspective view thereof;  
FIG. 3 is a front elevational view thereof;  
FIG. 4 is a left side elevational view thereof;  
FIG. 5 is a right side elevational view thereof;  
FIG. 6 is a rear elevational view thereof;  
FIG. 7 is a top plan view thereof; and,  
FIG. 8 is a bottom plan view thereof.

**1 Claim, 8 Drawing Sheets**



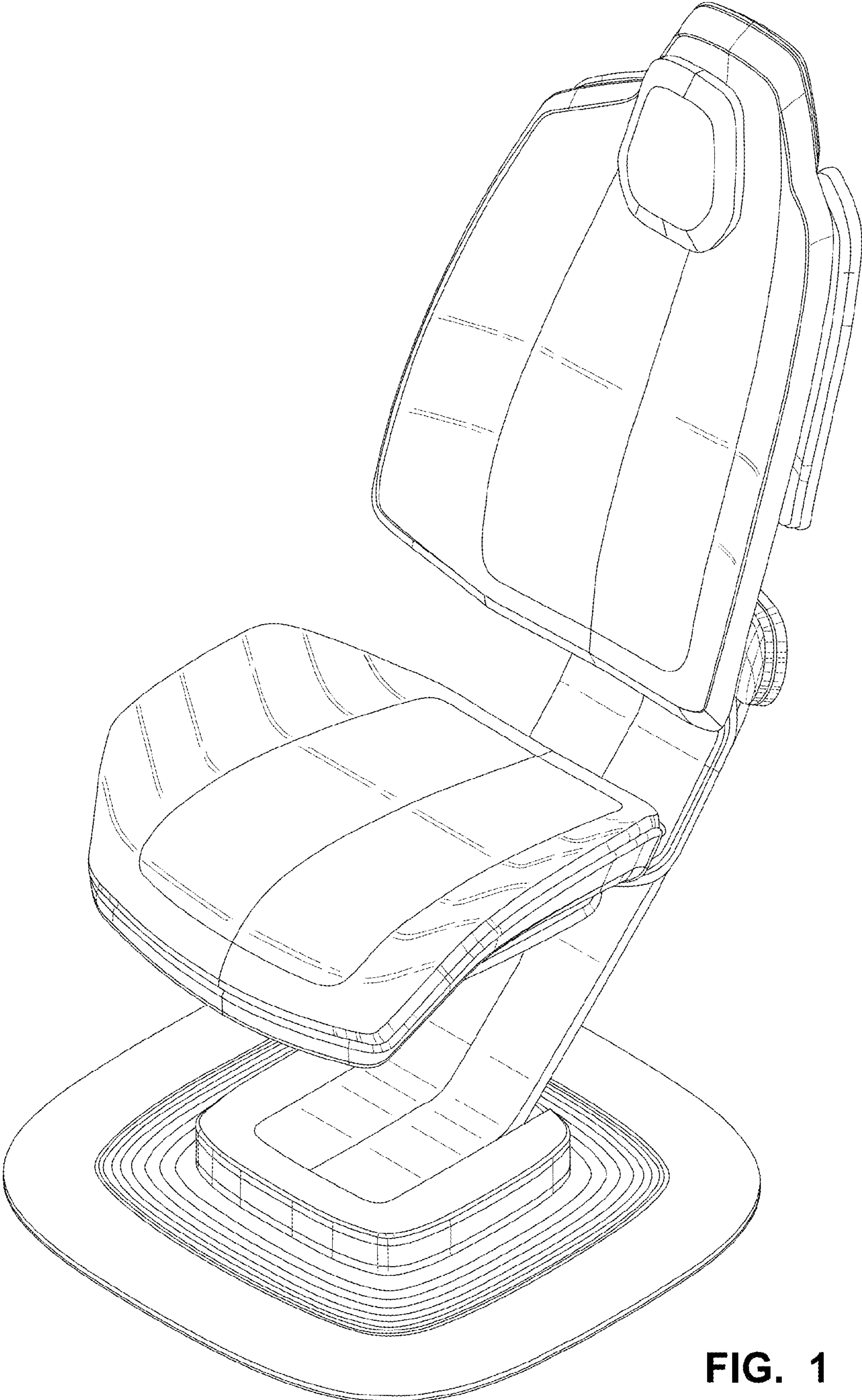
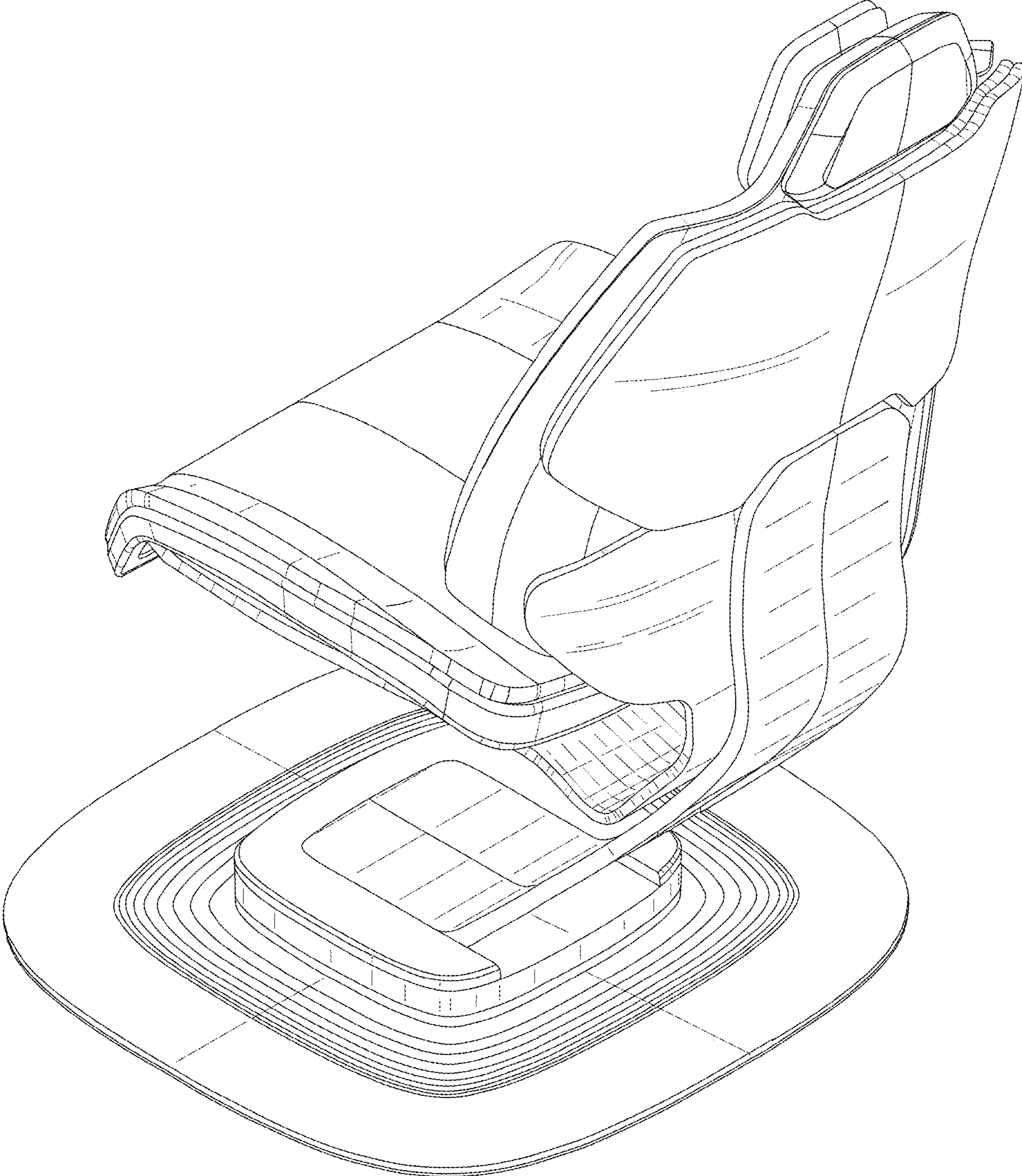
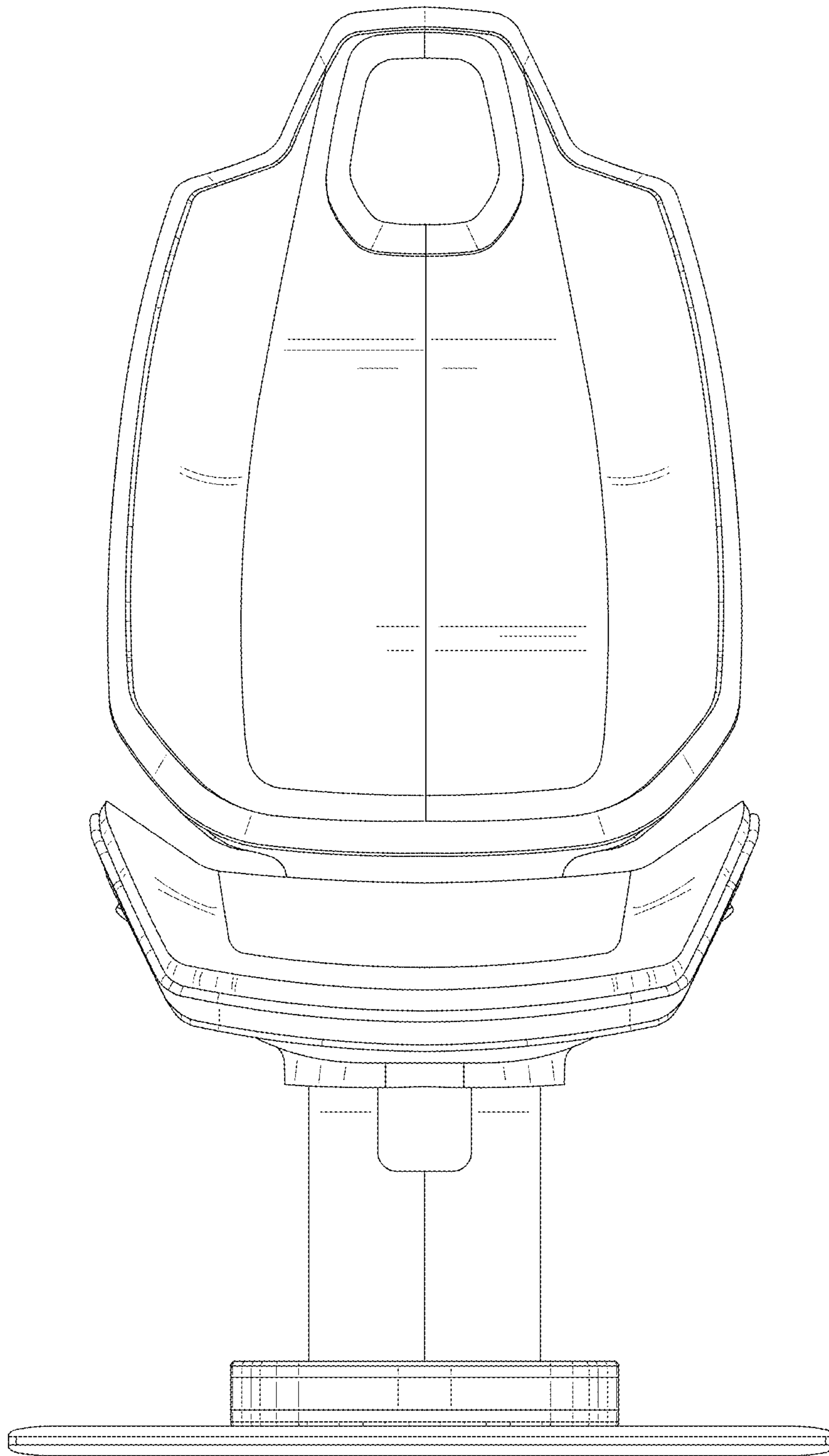


FIG. 1





**FIG. 2**



**FIG. 3**

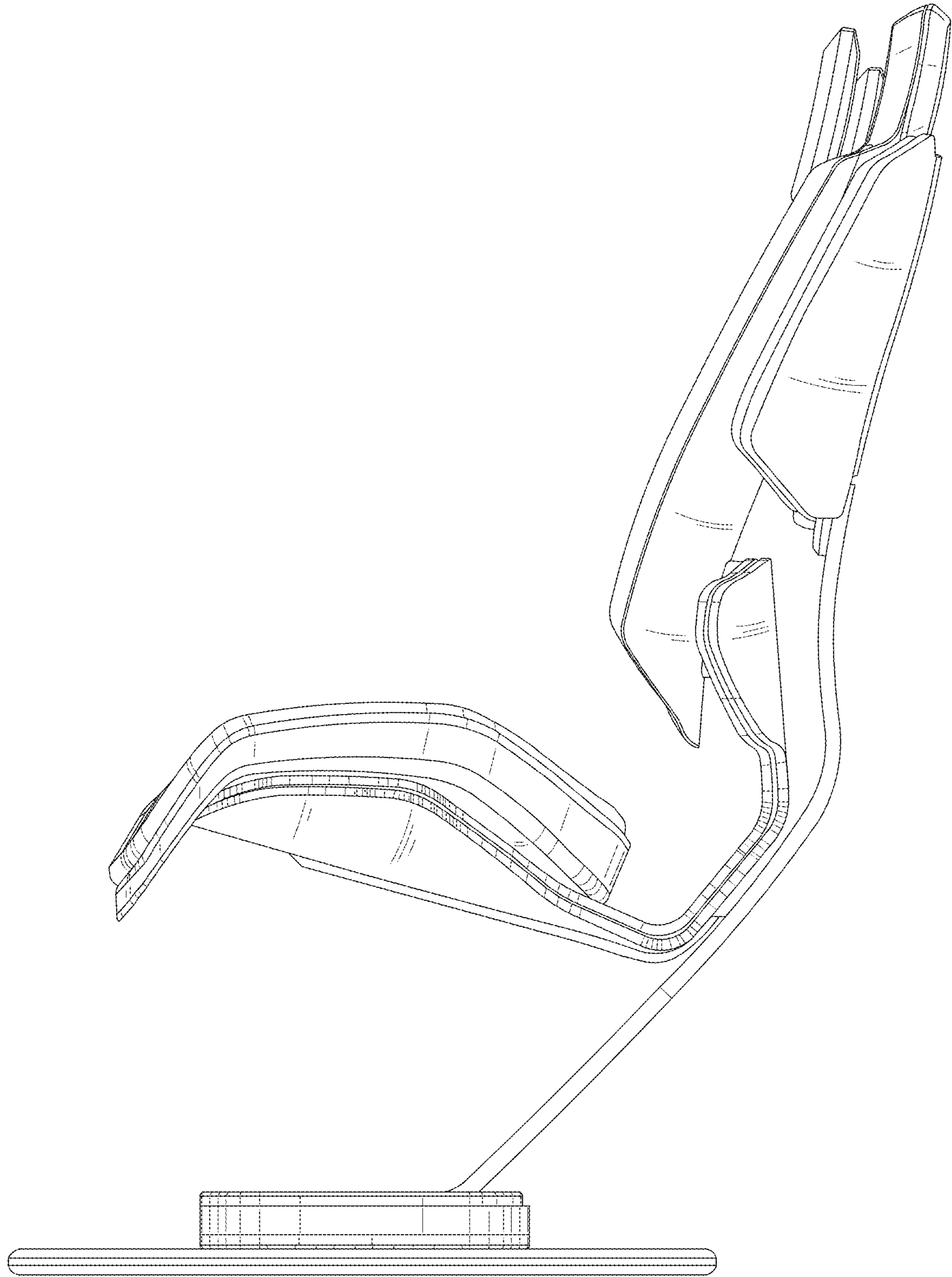


FIG. 4

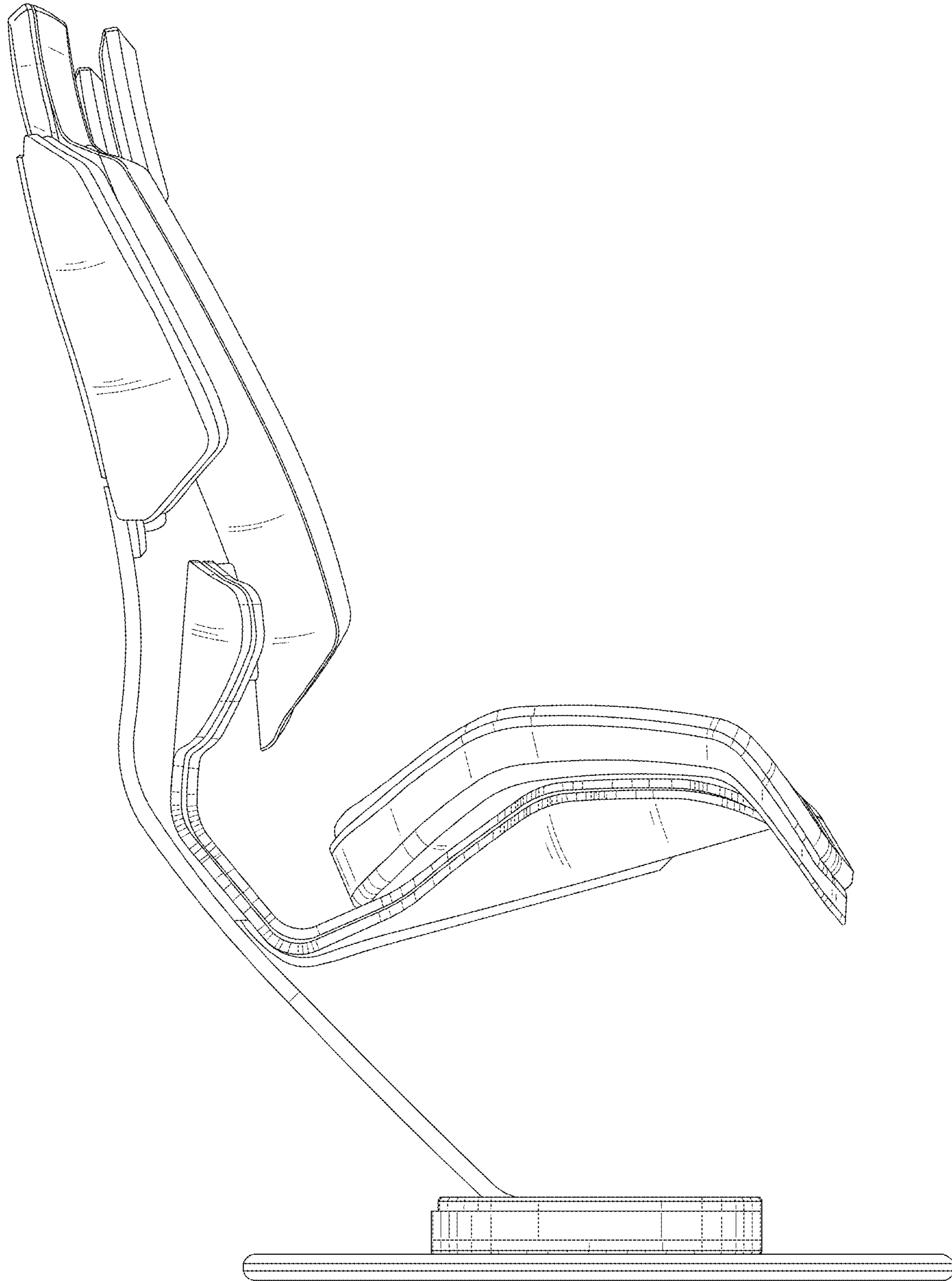
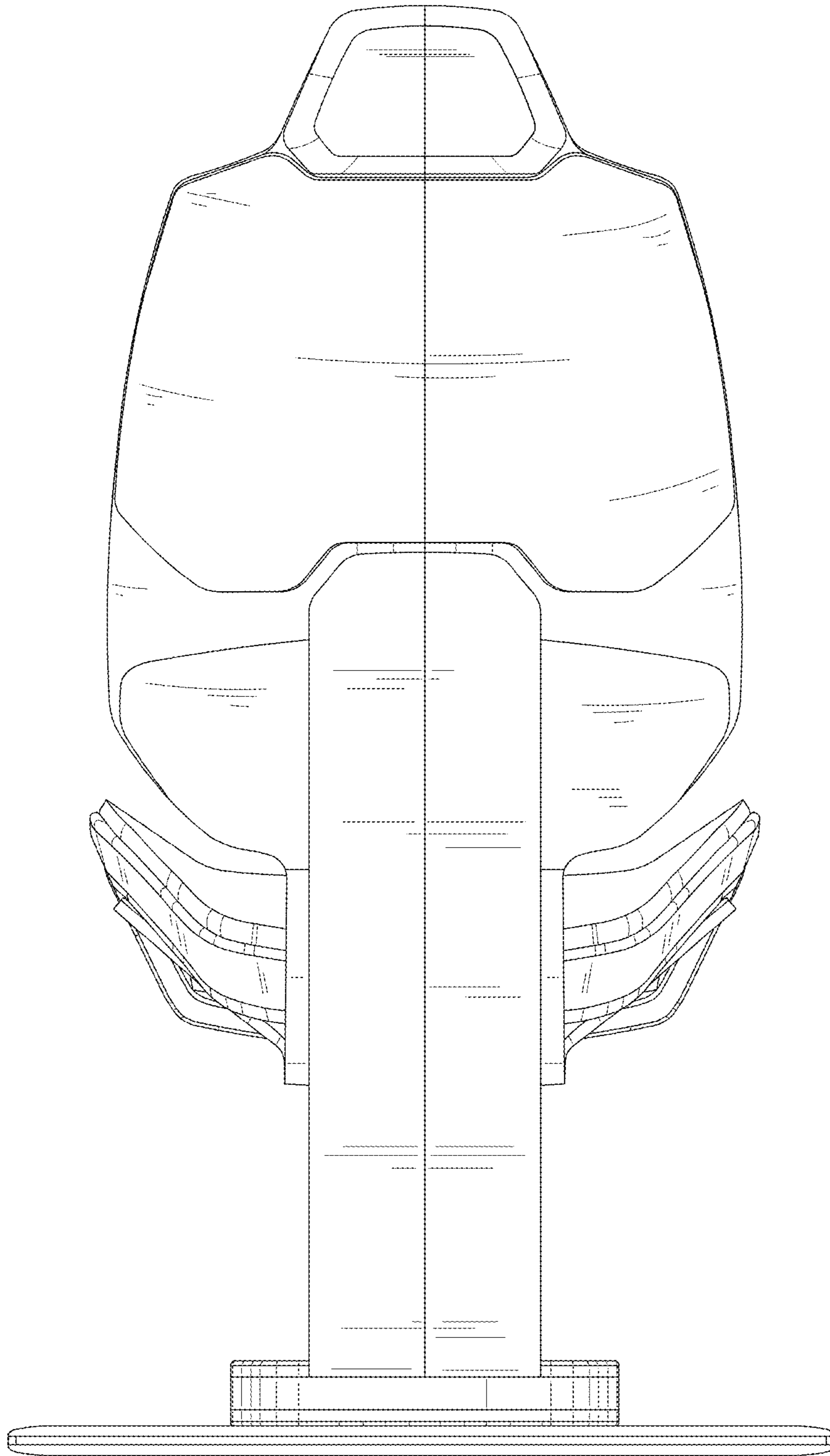


FIG. 5





**FIG. 6**

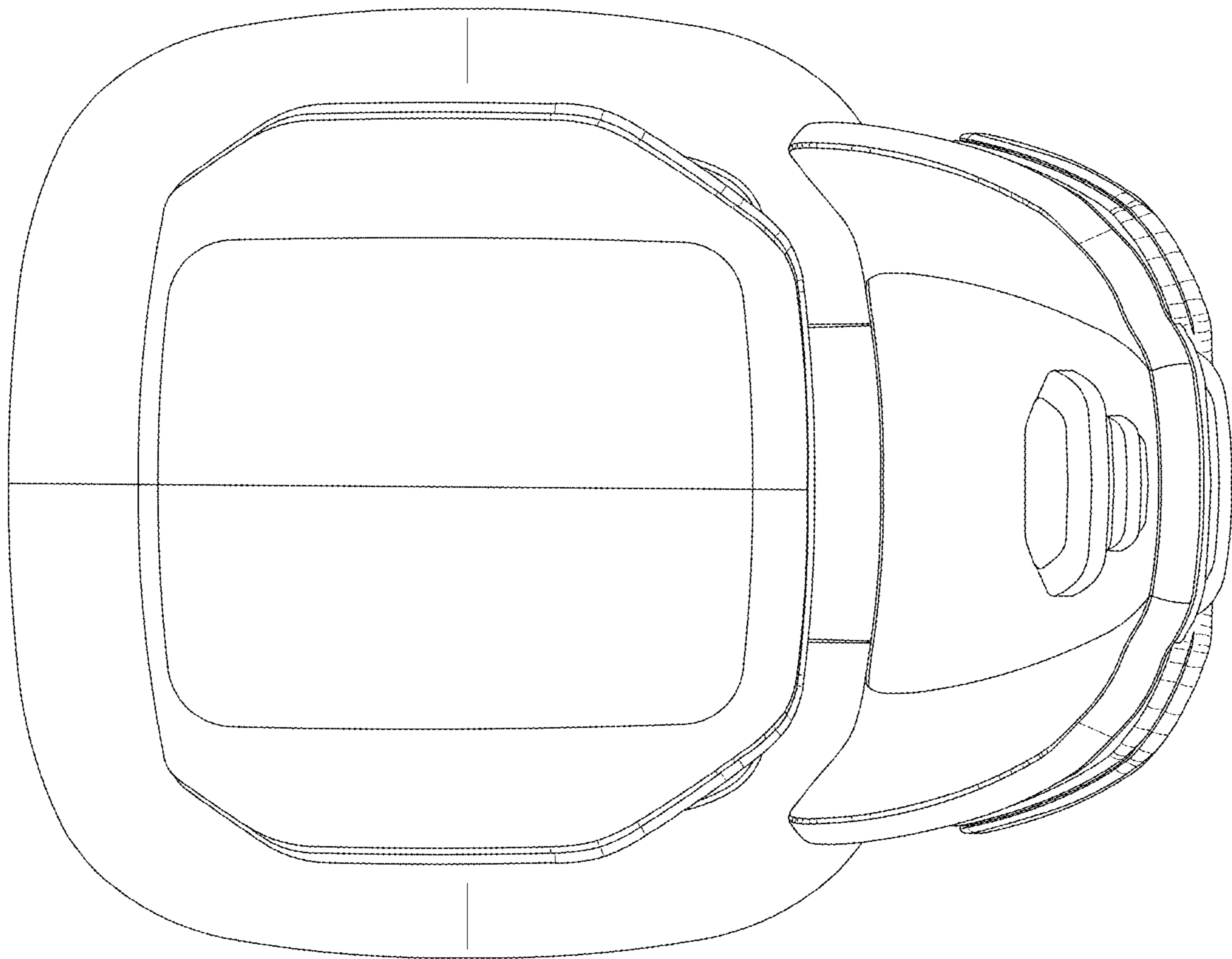


FIG. 7



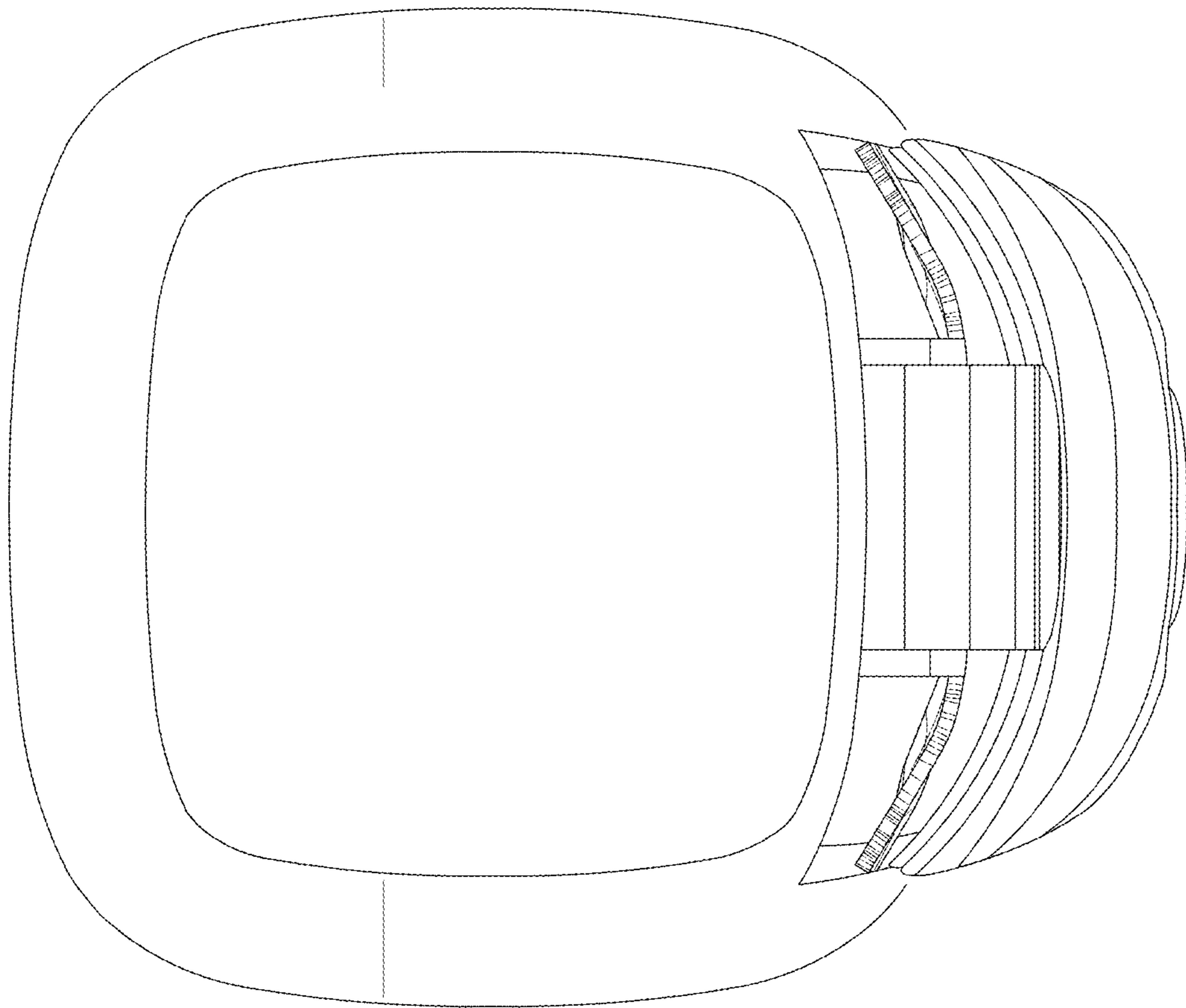


FIG. 8