



US00D921379S

(12) **United States Design Patent**
Li

(10) **Patent No.:** **US D921,379 S**

(45) **Date of Patent:** **** Jun. 8, 2021**

(54) **BAR CHAIR**

(71) Applicant: **Homy Casa Limited**, Hong Kong (HK)

(72) Inventor: **YueHai Li**, Guangzhou (CN)

(73) Assignee: **HOMY CASA LIMITED**, Hong Kong (HK)

(**) Term: **15 Years**

(21) Appl. No.: **29/701,122**

(22) Filed: **Aug. 8, 2019**

(51) **LOC (13) Cl.** **06-01**

(52) **U.S. Cl.**
USPC **D6/360**

(58) **Field of Classification Search**
USPC D6/334, 364, 365, 366, 369, 375, 379,
D6/716.1, 716.7
CPC A47C 3/12; A47C 3/18; A47C 3/20; A47C
5/02; A47C 7/24; A47C 7/36; A47C 7/46
See application file for complete search history.

(56) **References Cited**

U.S. PATENT DOCUMENTS

D592,870 S * 5/2009 Olano Jauregui D6/360
D592,873 S * 5/2009 Olano Jauregui D6/373

D814,814 S * 4/2018 Spoelhof D6/349
D860,667 S * 9/2019 Urquiola D6/360
D891,796 S * 8/2020 Li D6/349
D891,800 S * 8/2020 Li D6/360
D891,803 S * 8/2020 Fagerstrom D6/372

* cited by examiner

Primary Examiner — R. Johnson

(74) *Attorney, Agent, or Firm* — Hauptman Ham, LLP

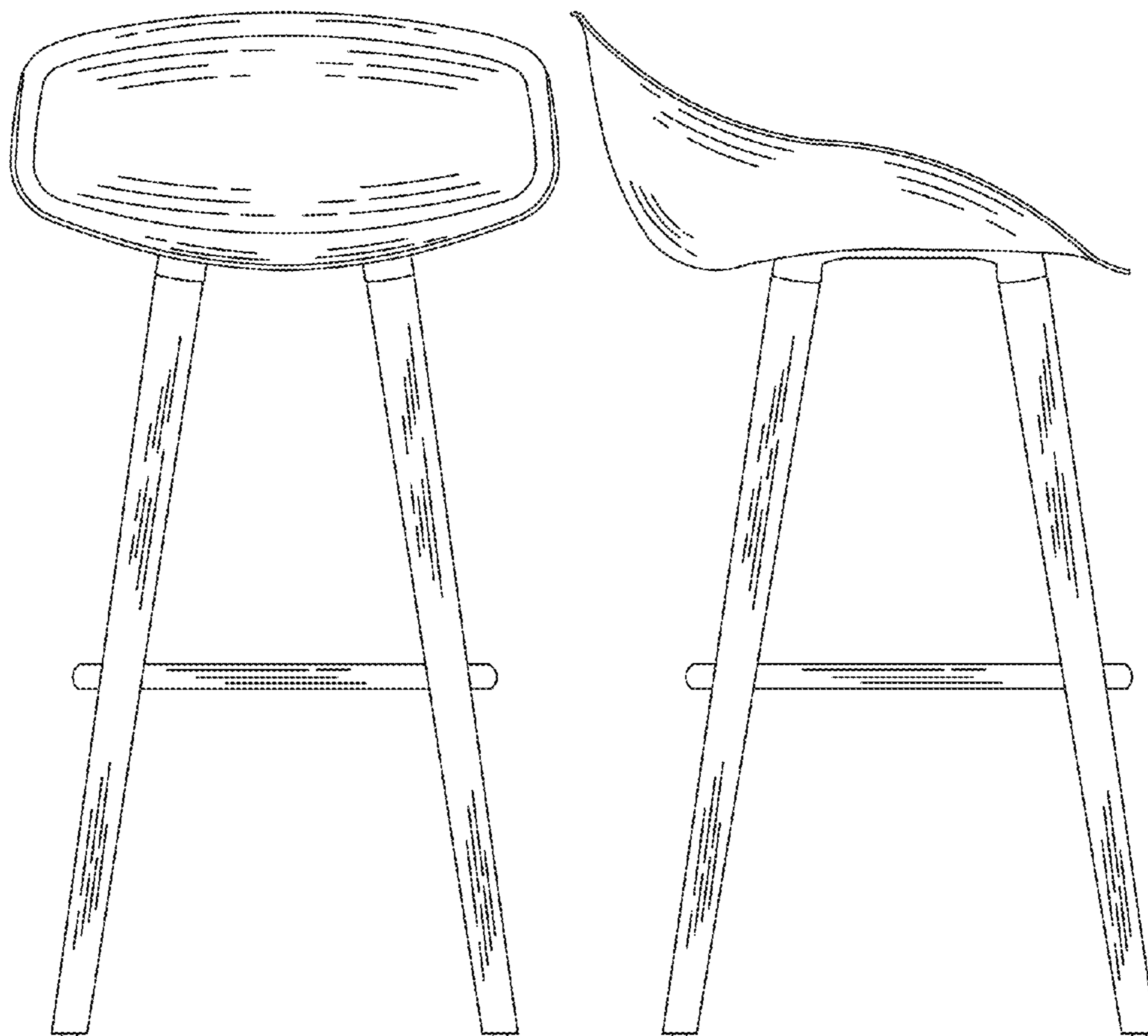
(57) **CLAIM**

The ornamental design for a bar chair, as shown.

DESCRIPTION

FIG. 1 is a front view of a bar chair showing my new design;
FIG. 2 is a back view of the bar chair of FIG. 1.
FIG. 3 is a left side view of the bar chair of FIG. 1.
FIG. 4 is a right side view of the bar chair of FIG. 1.
FIG. 5 is a top view of the bar chair of FIG. 1.
FIG. 6 is a bottom view of the bar chair of FIG. 1; and,
FIG. 7 is a perspective view of the bar chair of FIG. 1.

1 Claim, 7 Drawing Sheets



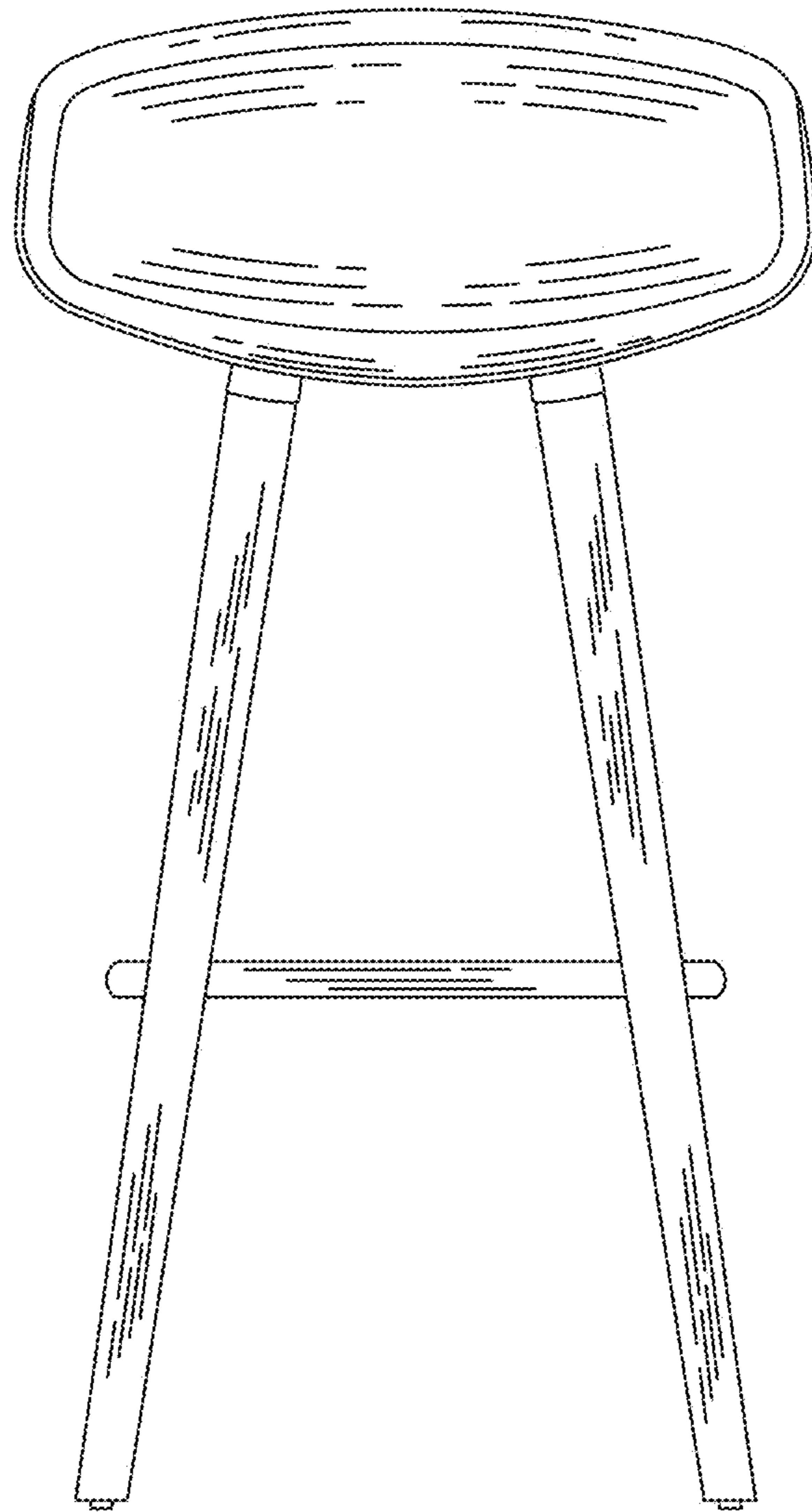


FIG. 1

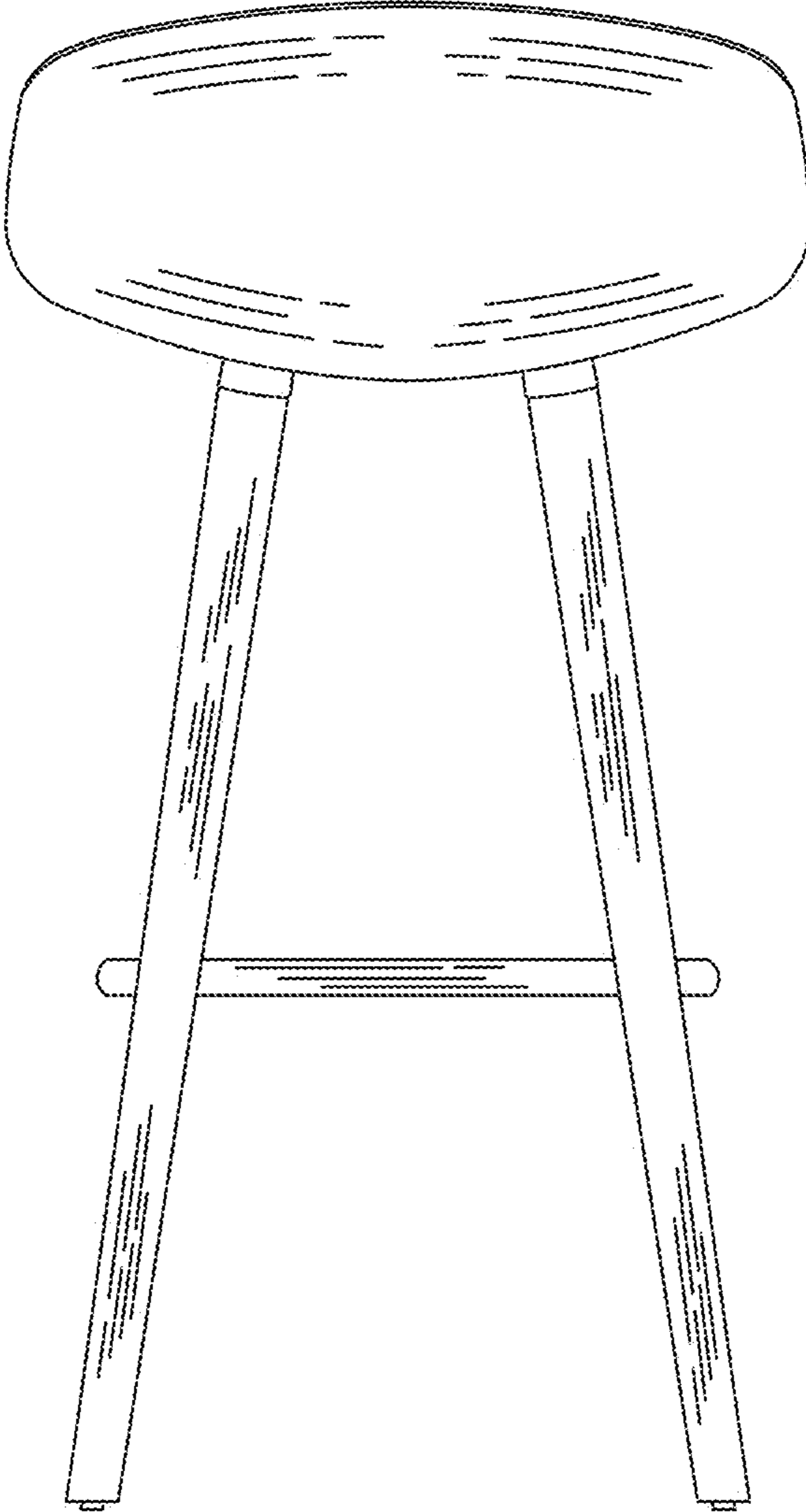


FIG. 2

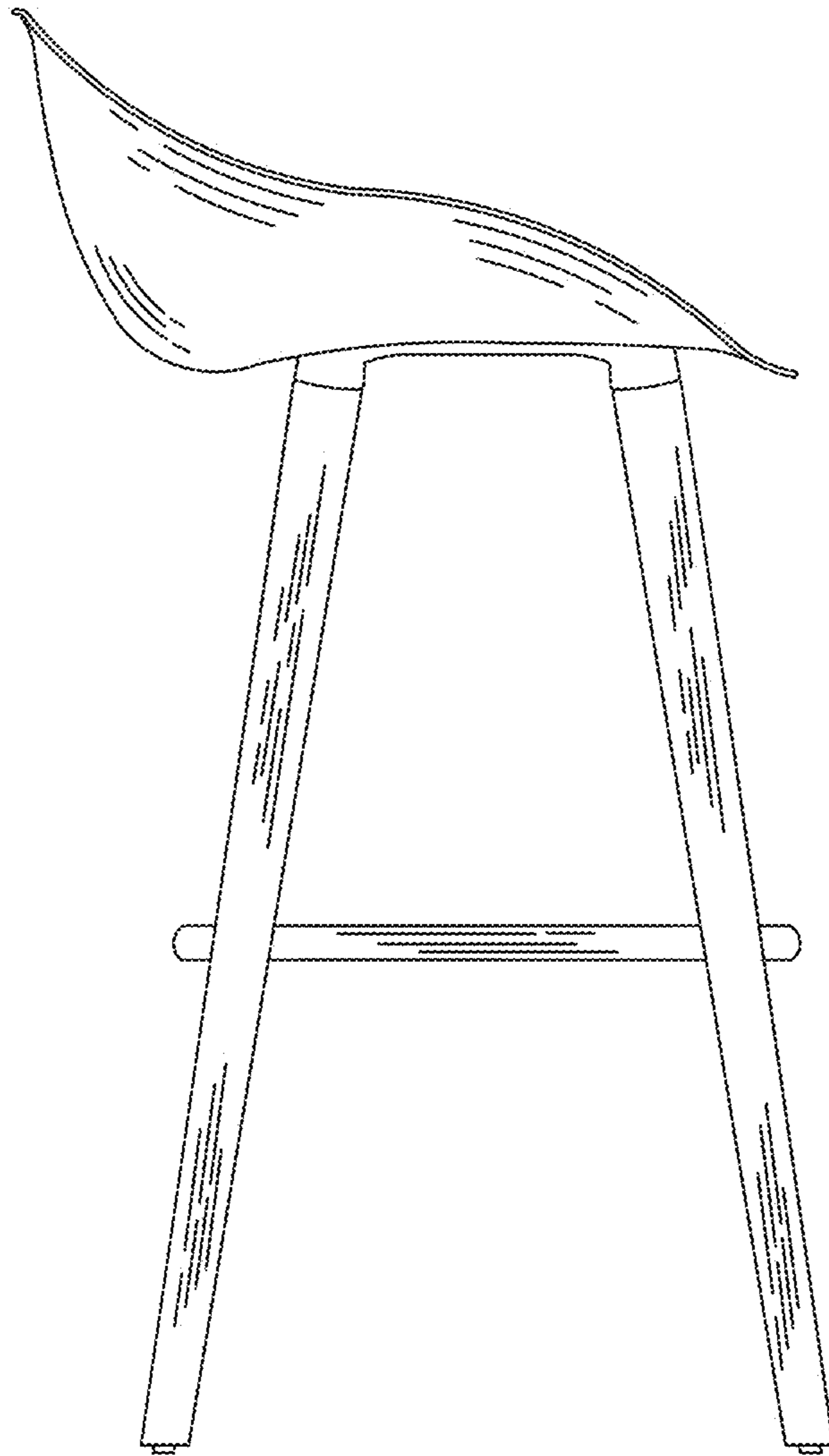


FIG. 3

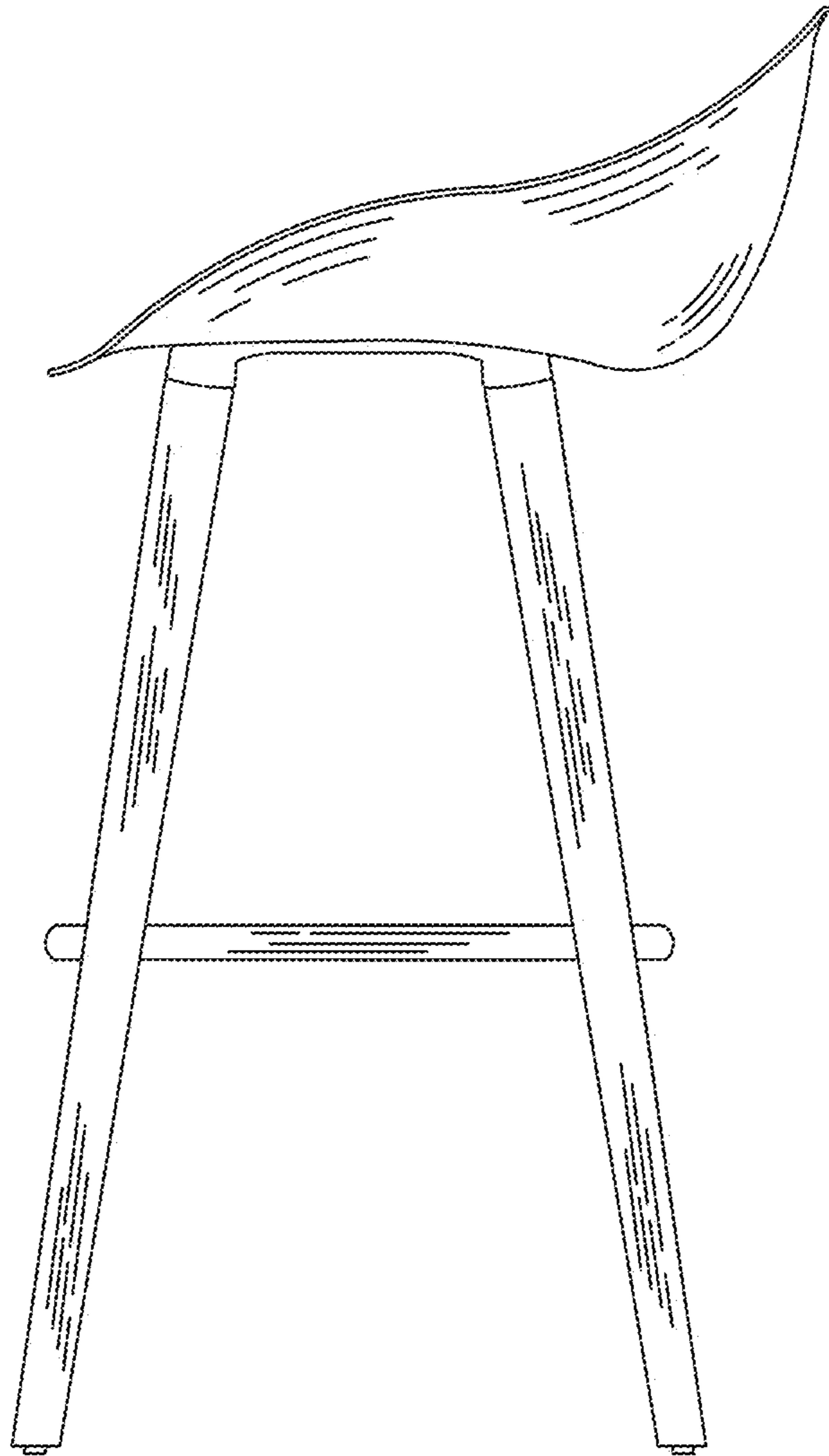


FIG. 4

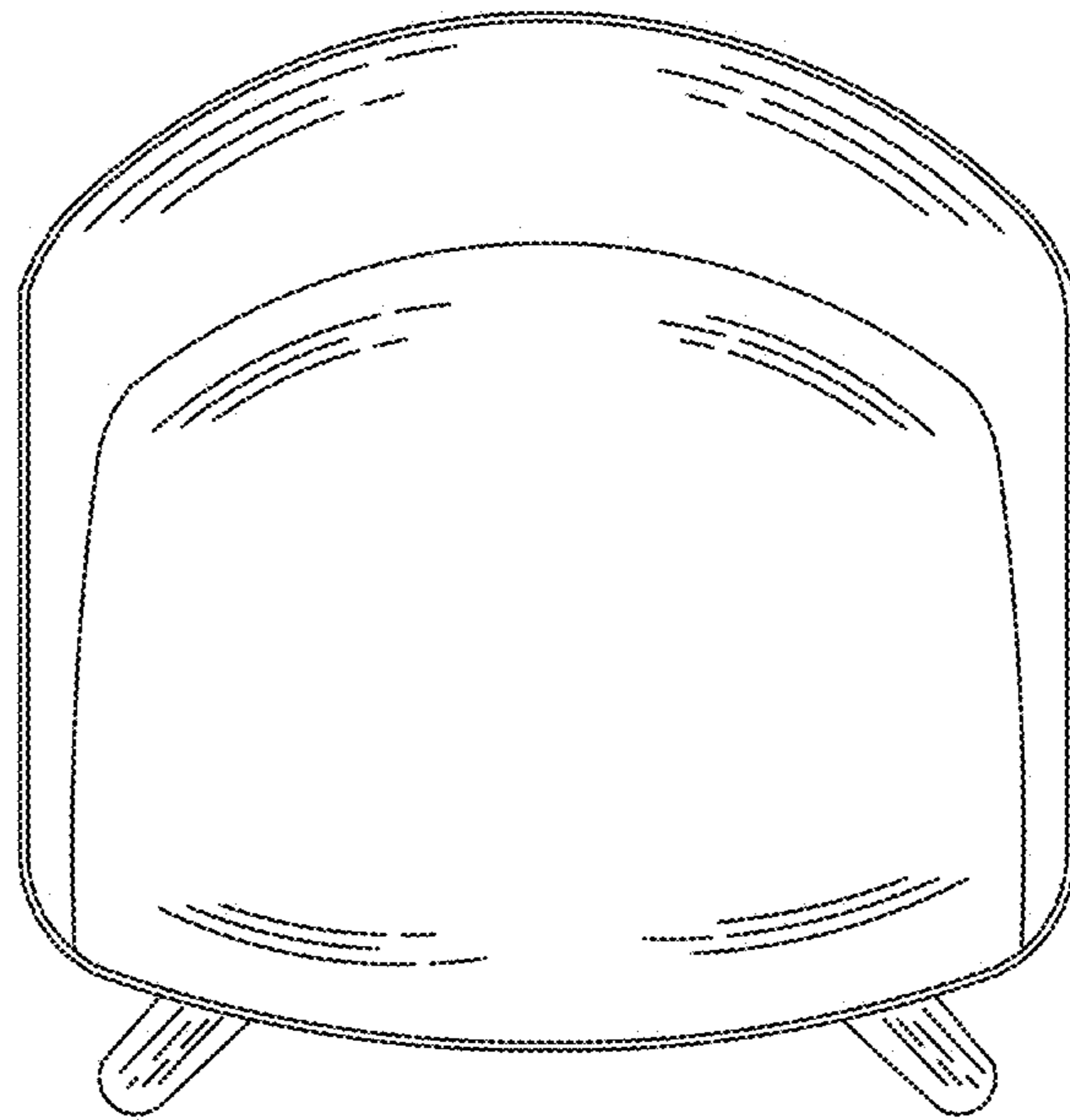


FIG. 5

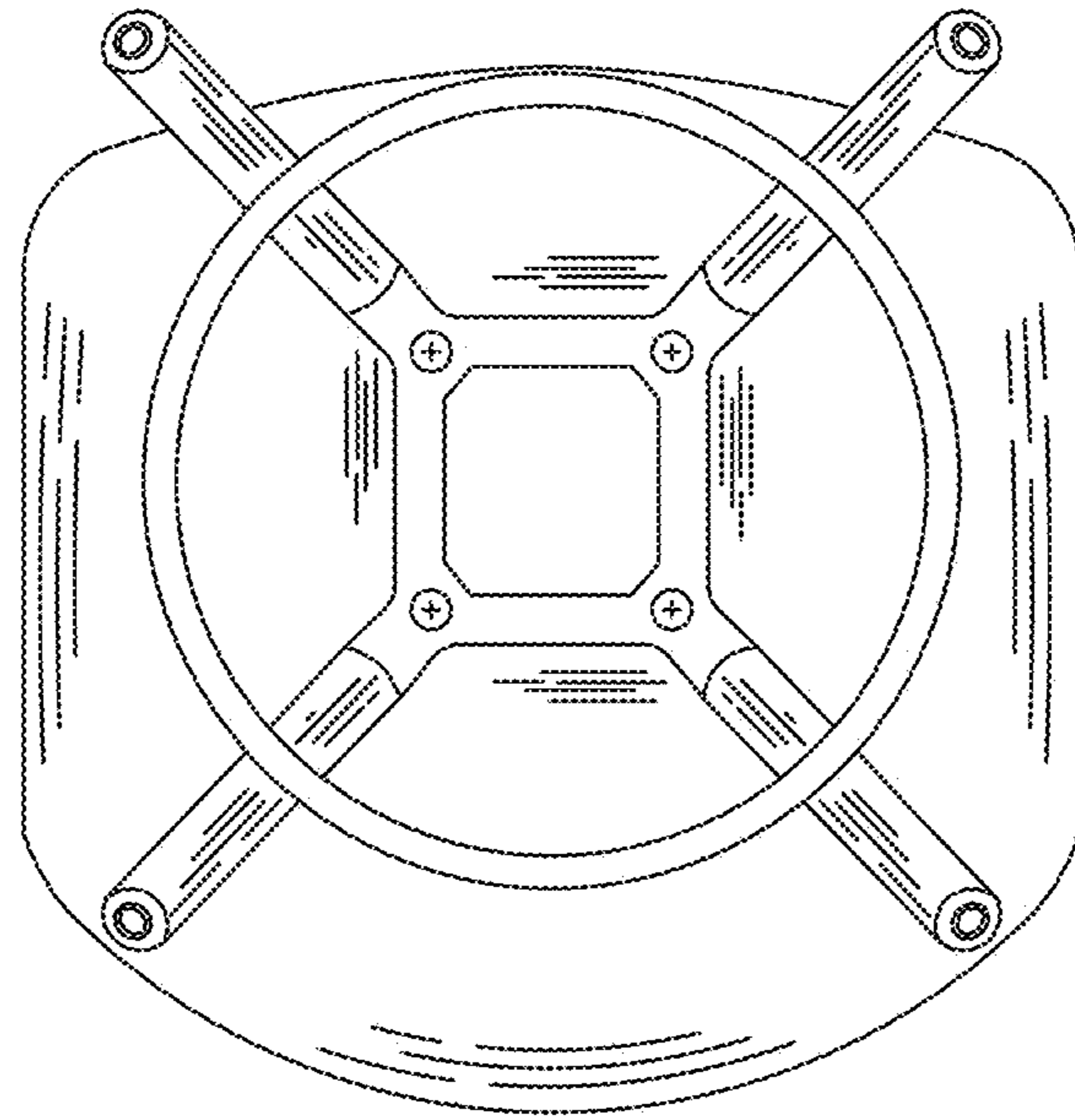


FIG. 6

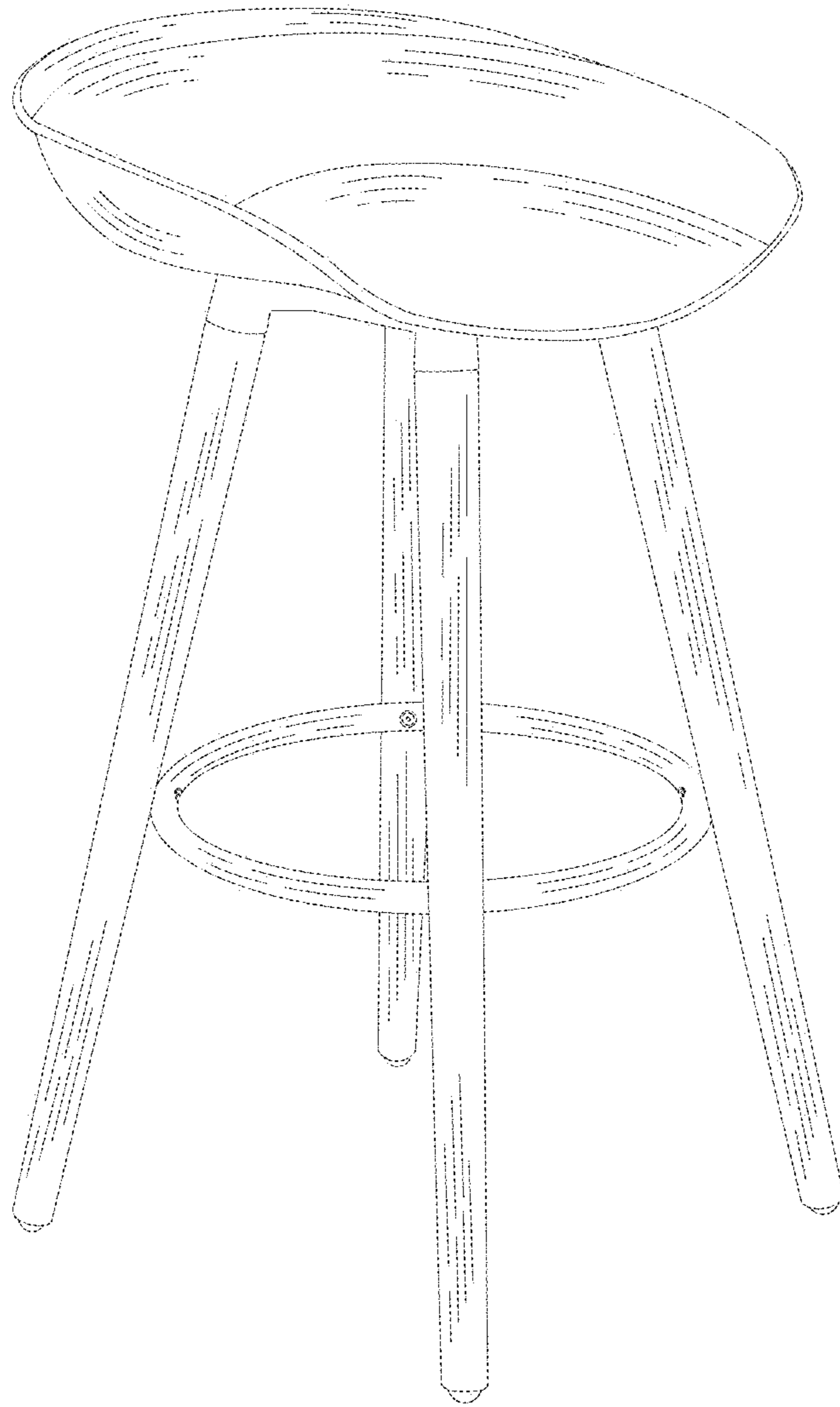


FIG. 7