

US00D921373S

(12) **United States Design Patent**
Fearing

(10) **Patent No.:** **US D921,373 S**

(45) **Date of Patent:** **** Jun. 8, 2021**

(54) **SHAVING MIRROR BASE**

(71) Applicant: **Daniel Fearing**, Glendale, CA (US)

(72) Inventor: **Daniel Fearing**, Glendale, CA (US)

(**) Term: **15 Years**

(21) Appl. No.: **29/688,520**

(22) Filed: **Apr. 23, 2019**

(51) **LOC (13) Cl.** **06-07**

(52) **U.S. Cl.**
USPC **D6/309; D7/624.1**

(58) **Field of Classification Search**
USPC D3/201, 203.2, 203.3, 203.4, 274, 275;
D6/300-314; D9/503-505; D28/4, 64.1,
D28/64.2, 64.3, 64.6, 82; D7/624.1,
D7/624.2
CPC A45D 33/003; A45D 33/008; A45D 40/22;
A45D 40/221; A45D 40/222; A45D
42/00; A45D 42/02; A45D 42/04; A45D
42/08; A45D 33/006; A45D 33/34; A47G
1/00; A47G 1/02; A47G 1/04; G02B
7/1822; G02B 7/198

See application file for complete search history.

D665,252 S * 8/2012 Mulready D9/418
D666,461 S * 9/2012 Siegel D7/629
8,641,213 B2 * 2/2014 Okayasu A45D 42/00
359/871
D740,029 S * 10/2015 Otto D3/302
D756,790 S * 5/2016 Henriksson D9/504
9,775,455 B2 * 10/2017 Weissbart F16K 27/0209
D823,647 S * 7/2018 Curl, Jr. D7/624.1
D852,647 S * 7/2019 Burditt D9/746
2015/0173544 A1 * 6/2015 Sayarh A47G 23/03
220/737
2020/0337435 A1 * 10/2020 Hori A45D 34/04
2020/0337442 A1 * 10/2020 Fearing A45D 42/08

OTHER PUBLICATIONS

Shaving Can Mirror Shower Fog Free Portable, announced 2019 [online], [site visited Aug. 12, 2020]. Available from internet, URL:<<https://www.amazon.in/Shaving-Mirror-Shower-Portable-Veterans/dp/B081HWL3LB>> (Year: 2019).*

* cited by examiner

Primary Examiner — Cynthia Ramirez
Assistant Examiner — Xavier Marti-Santos

(57) **CLAIM**

The ornamental design for a shaving mirror base, as shown and described.

DESCRIPTION

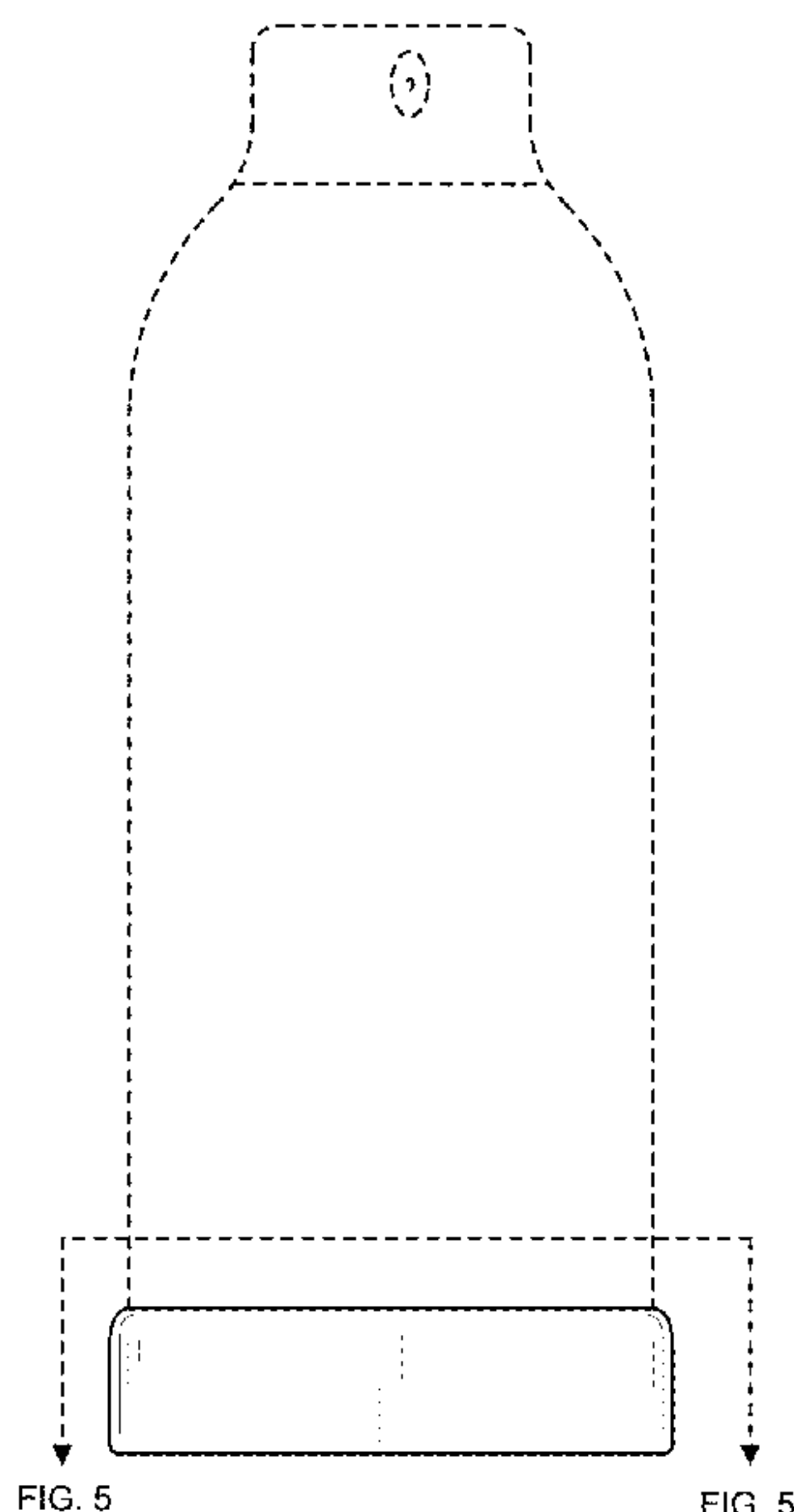
FIG. 1 is a side view of a shaving mirror base showing my new design.
FIG. 2 is a bottom perspective view of a shaving mirror base.
FIG. 3 is a bottom plan view thereof.
FIG. 4 is a top plan view thereof; and,
FIG. 5 is a top perspective view thereof.
The broken lines in the figures are to show environment and form no part of the claimed design.

1 Claim, 6 Drawing Sheets

(56) **References Cited**

U.S. PATENT DOCUMENTS

1,887,333 A * 11/1932 Smith A45D 33/003
132/307
D252,833 S * 9/1979 Bowser D26/85
D303,199 S * 9/1989 Parsons D7/624.1
H1855 H * 8/2000 Litton D28/82
D428,776 S * 8/2000 Shuman D7/624.1
D431,114 S * 9/2000 Smith D21/710
D459,094 S * 6/2002 Stone D6/309
6,578,809 B1 * 6/2003 Dimella A47G 23/032
248/346.11
D531,036 S * 10/2006 Bried D9/504



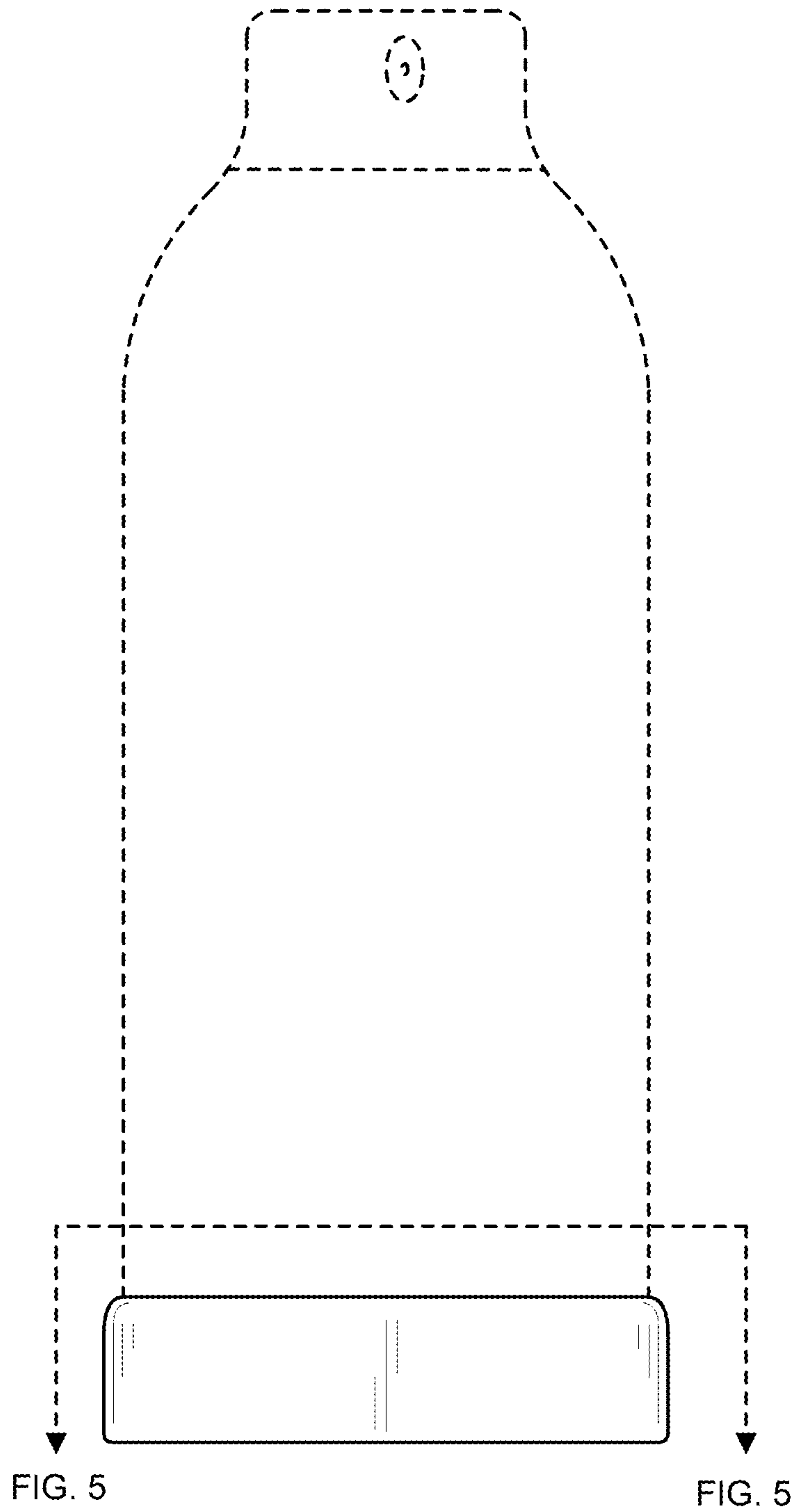


FIG. 1

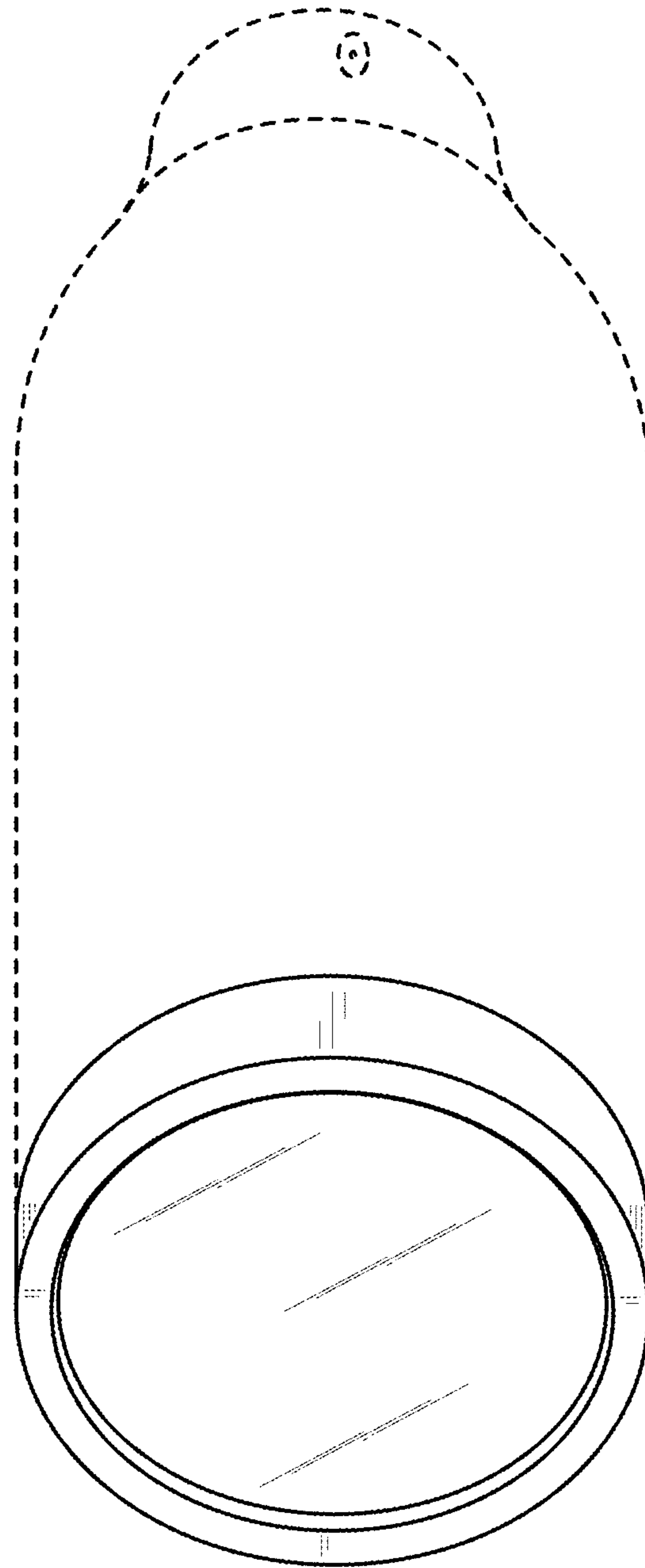


FIG. 2

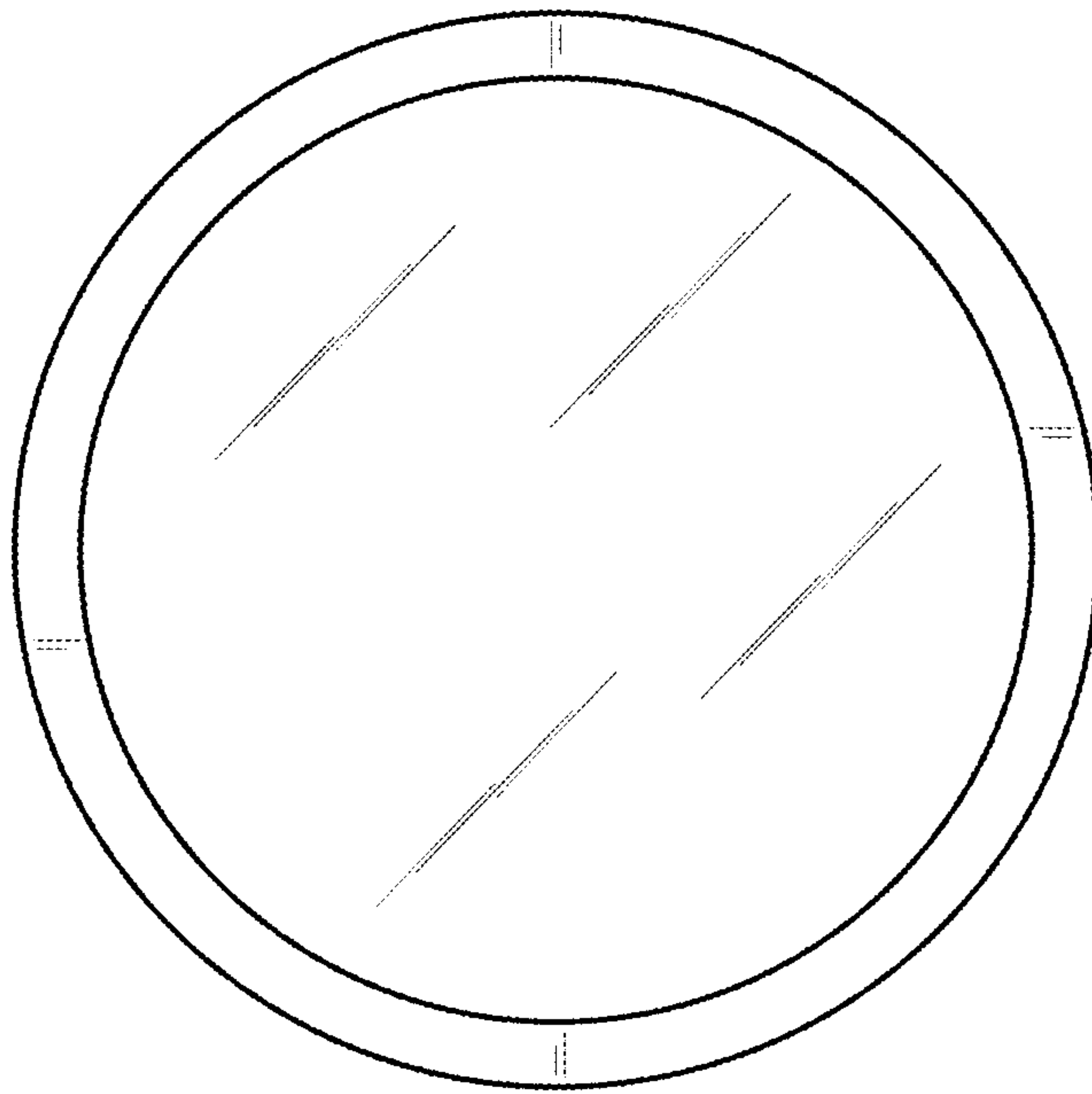


FIG. 3

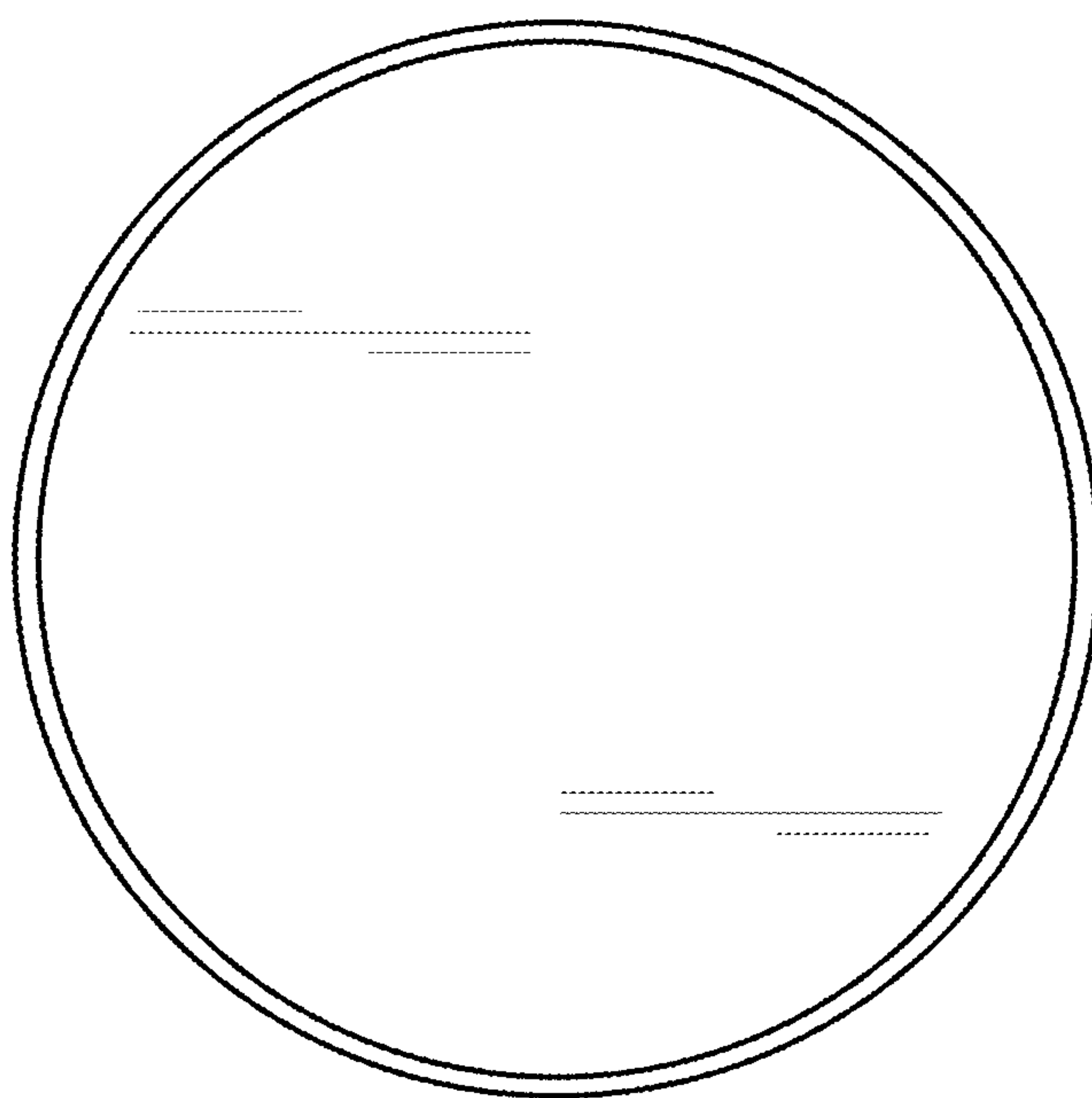


FIG. 4

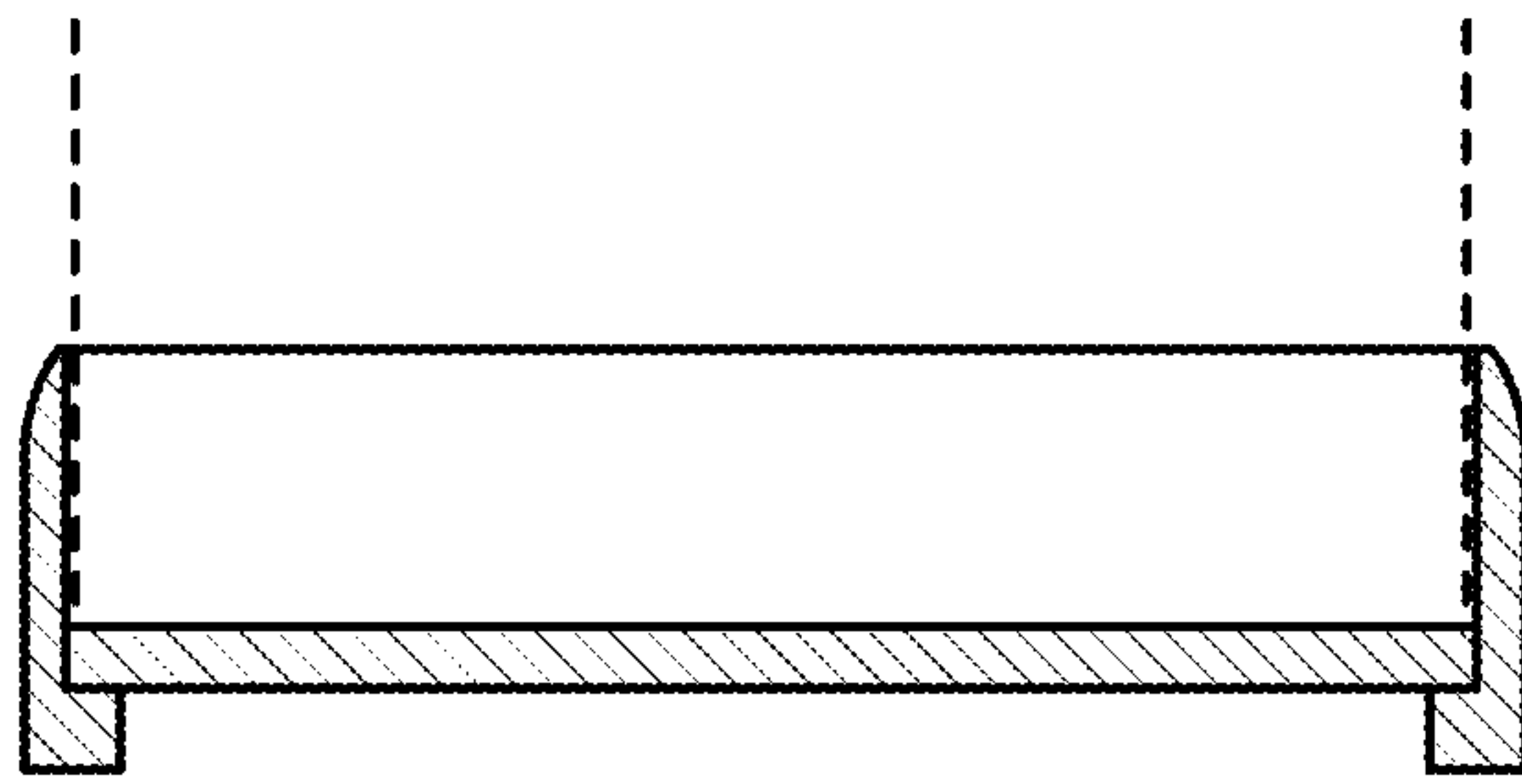


FIG. 5

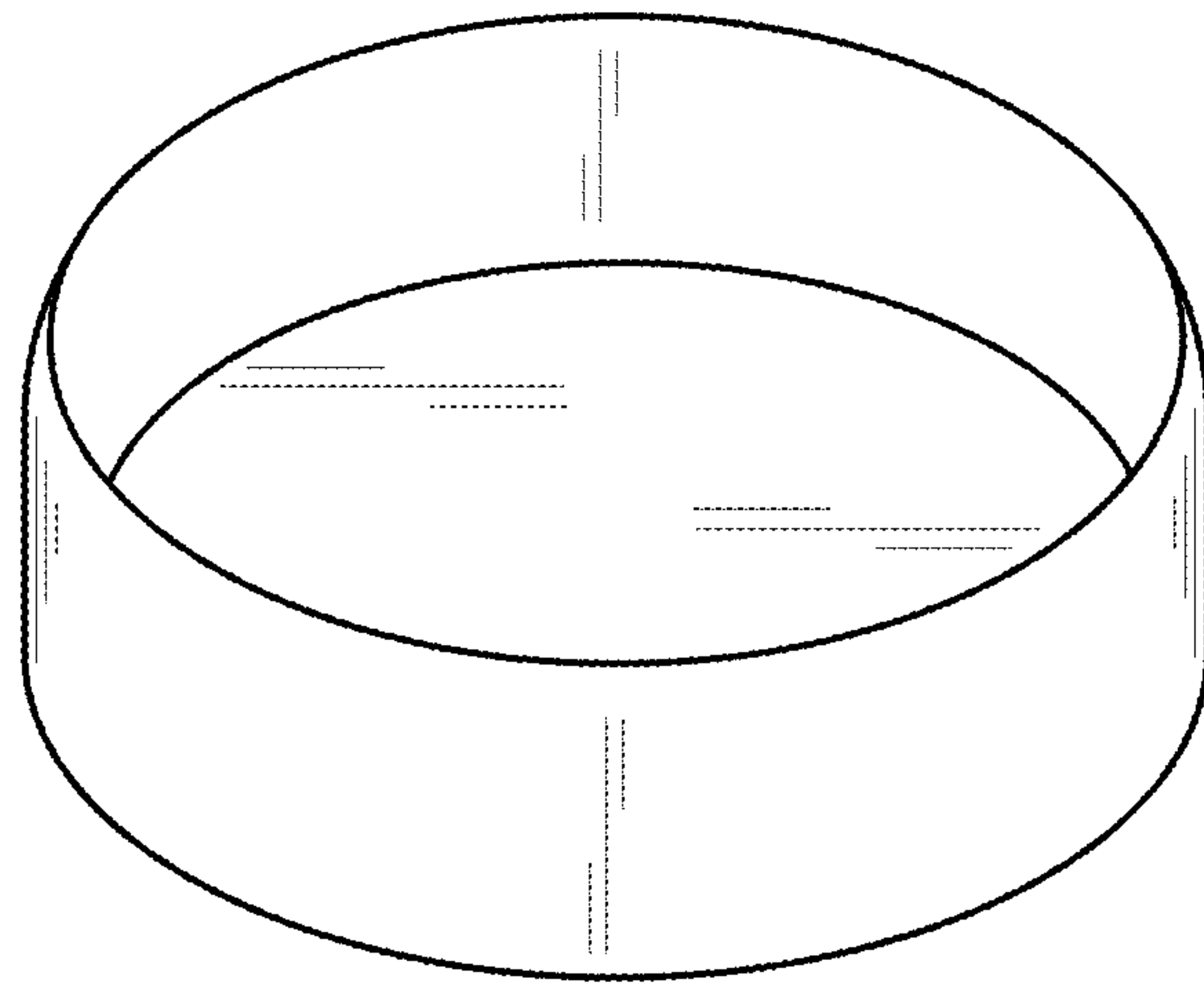


FIG. 6