



US00D921368S

(12) **United States Design Patent** (10) **Patent No.:** **US D921,368 S**
Muir et al. (45) **Date of Patent:** **** Jun. 8, 2021**

(54) **BEATER BAR**
(71) Applicant: **Black & Decker, Inc.**, New Britain, CT (US)
(72) Inventors: **Derek Muir**, Durham (GB); **Stephen Houghton**, Newcastle upon Tyne (GB); **Sean Liu**, Berkshire (GB)
(73) Assignee: **Black & Decker, Inc.**, New Britain, CT (US)
(**) Term: **15 Years**

8,020,245 B2 * 9/2011 Whittaker A47L 11/22 15/180
D647,265 S * 10/2011 Follows D32/31
D680,287 S * 4/2013 Morgan D32/31
D680,289 S * 4/2013 Gray D32/31
8,601,643 B2 * 12/2013 Eriksson A47L 9/2831 15/383
D716,510 S * 10/2014 Gilbert, Jr. D32/31
D747,052 S * 1/2016 Therrien D32/31
9,775,477 B2 * 10/2017 Eriksson A47L 9/322
9,820,624 B2 * 11/2017 Eriksson A47L 11/4041
10,034,588 B2 * 7/2018 Kasper A46D 1/08
D850,039 S * 5/2019 Dou D32/31
10,376,114 B2 * 8/2019 Eriksson A47L 9/30
D878,692 S * 3/2020 Bosyj D32/31
10,729,302 B2 * 8/2020 Li C02F 9/00

(21) Appl. No.: **29/701,863**

(22) Filed: **Aug. 15, 2019**

(30) **Foreign Application Priority Data**

Jul. 4, 2019 (GB) 006612347

(51) **LOC (13) Cl.** **04-01**

(52) **U.S. Cl.**
USPC **D4/122; D32/31**

(58) **Field of Classification Search**
USPC D4/100, 102, 116, 121, 122, 127, 128, D4/130, 133, 134, 199; D32/19, 40, 25, D32/32, 31; 15/179, 180, 213, 34
CPC A46B 7/08; A46B 9/005; A46B 13/00; A46B 13/02; A46B 13/005; A46B 5/30; A46B 7/10; A46B 9/0483; A46B 9/04; A46B 9/0461; A46B 9/0477; A47L 2201/00; A47L 9/04; B08B 1/002; B08B 1/04
See application file for complete search history.

(56) **References Cited**

U.S. PATENT DOCUMENTS

D431,698 S * 10/2000 Hoshide D32/31
D518,258 S * 3/2006 Hamm D32/31

FOREIGN PATENT DOCUMENTS

CN 305997264 * 8/2020
JP D1464110 * 3/2013
KR 300768579.0000 * 10/2014

* cited by examiner

Primary Examiner — Karen E Eldridge Powers

(74) *Attorney, Agent, or Firm* — John Yun

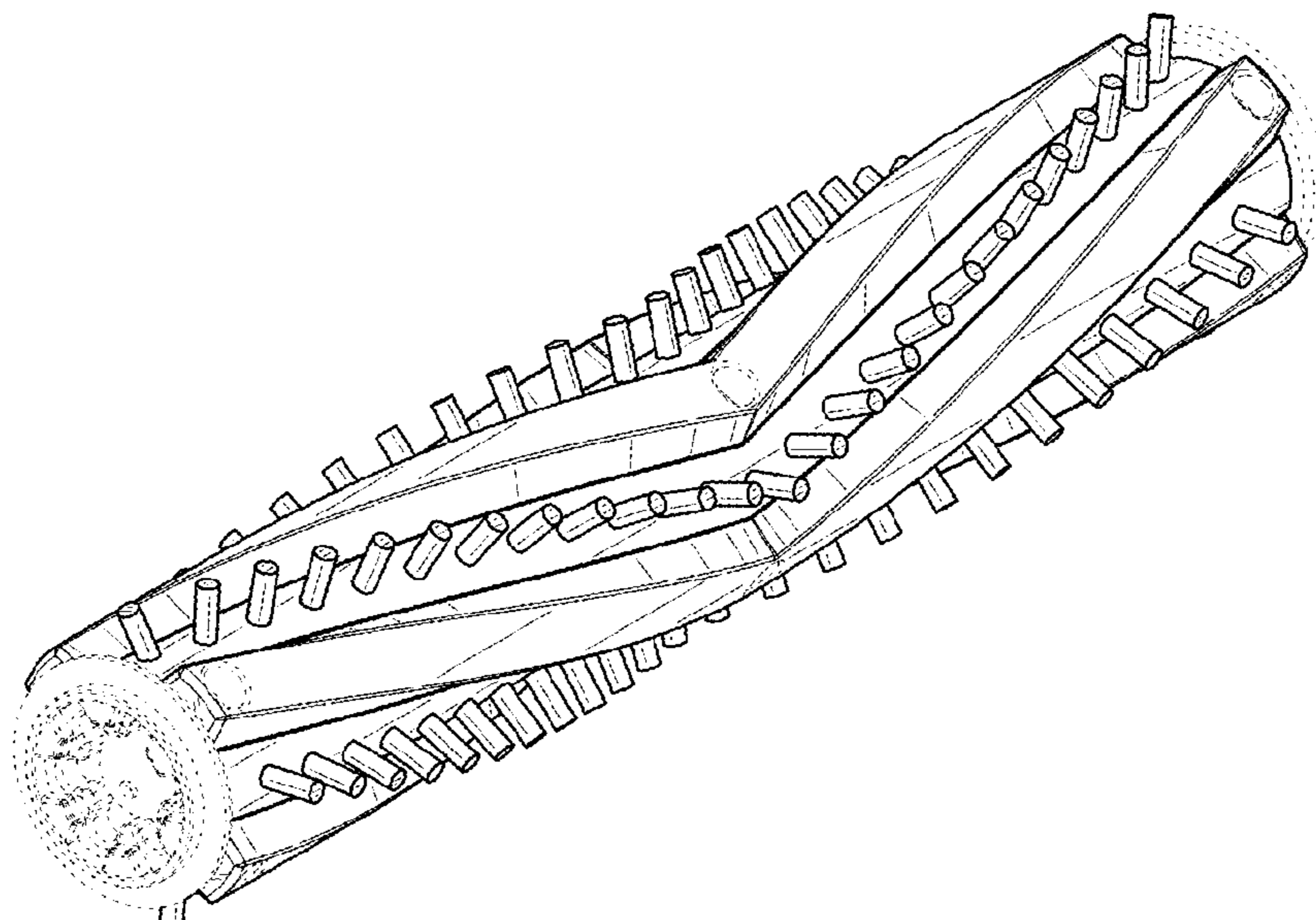
(57) **CLAIM**

The ornamental design for a beater bar, as shown and described.

DESCRIPTION

FIG. 1 is a perspective view of my new design.
FIG. 2 is a front elevation view thereof.
FIG. 3 is a left side elevation view thereof.
FIG. 4 is a right side elevation view thereof; and,
FIG. 5 is a rear elevation view thereof.
The broken lines shown are for the purposes of illustrating the environment of the article only and form no part of the claimed design.

1 Claim, 2 Drawing Sheets



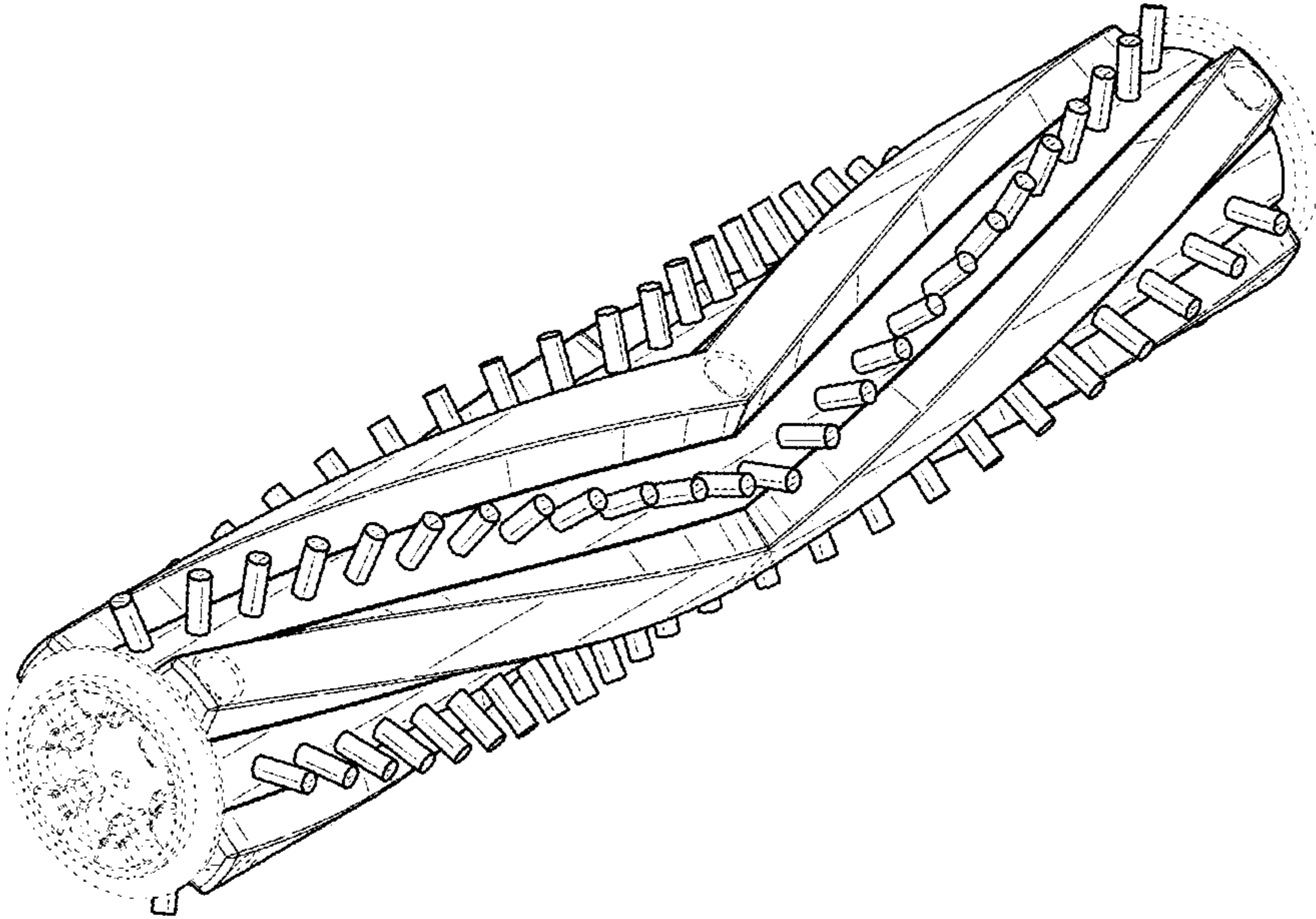


FIG. 1

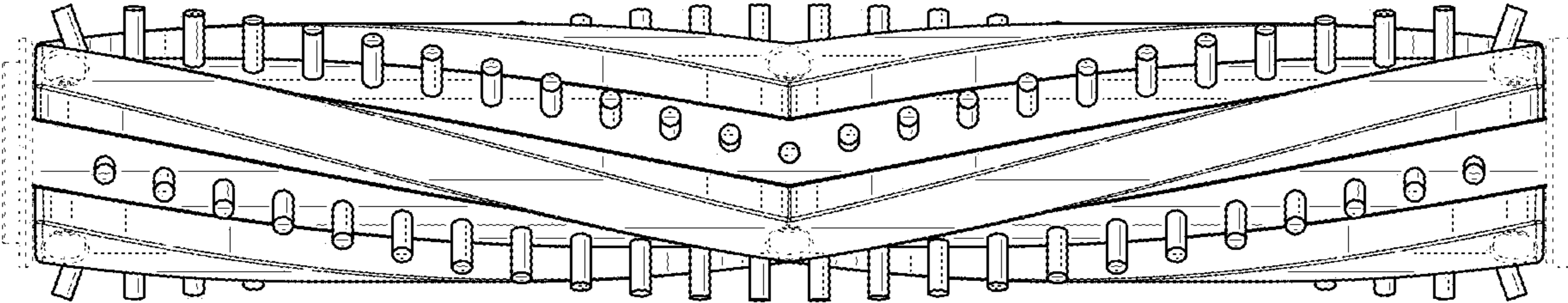


FIG. 2

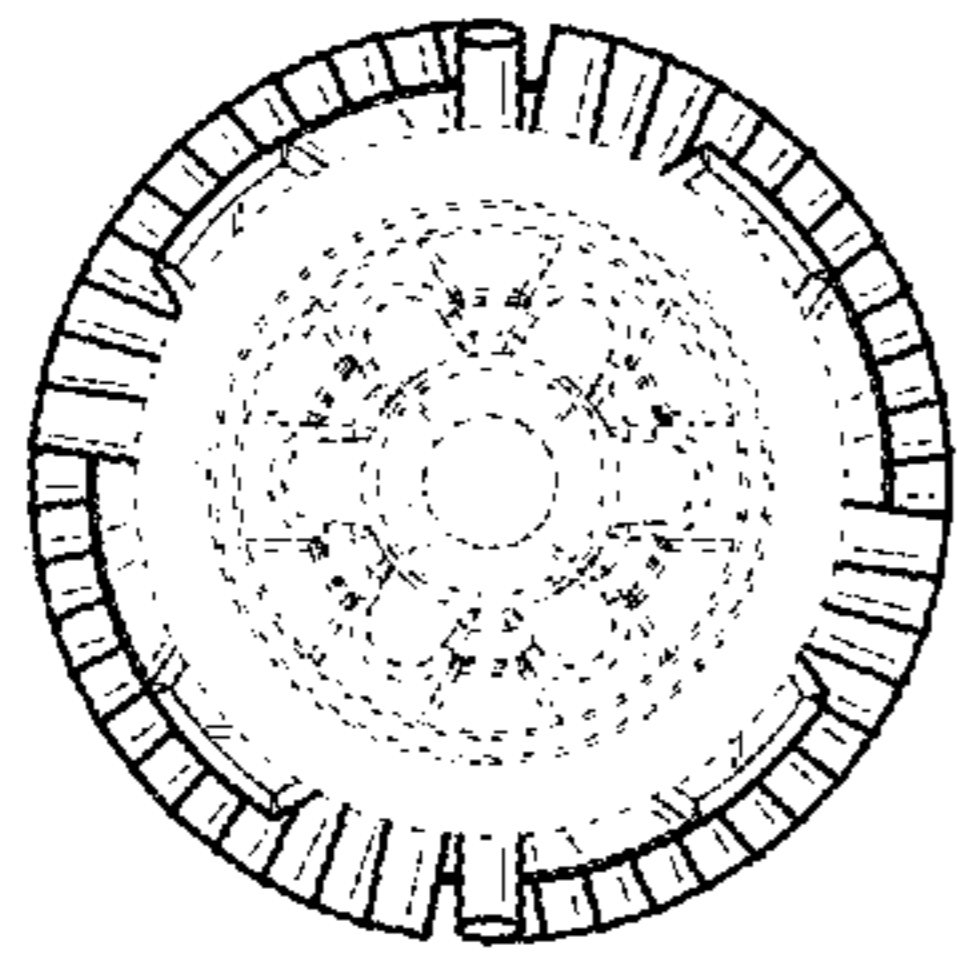


FIG. 3

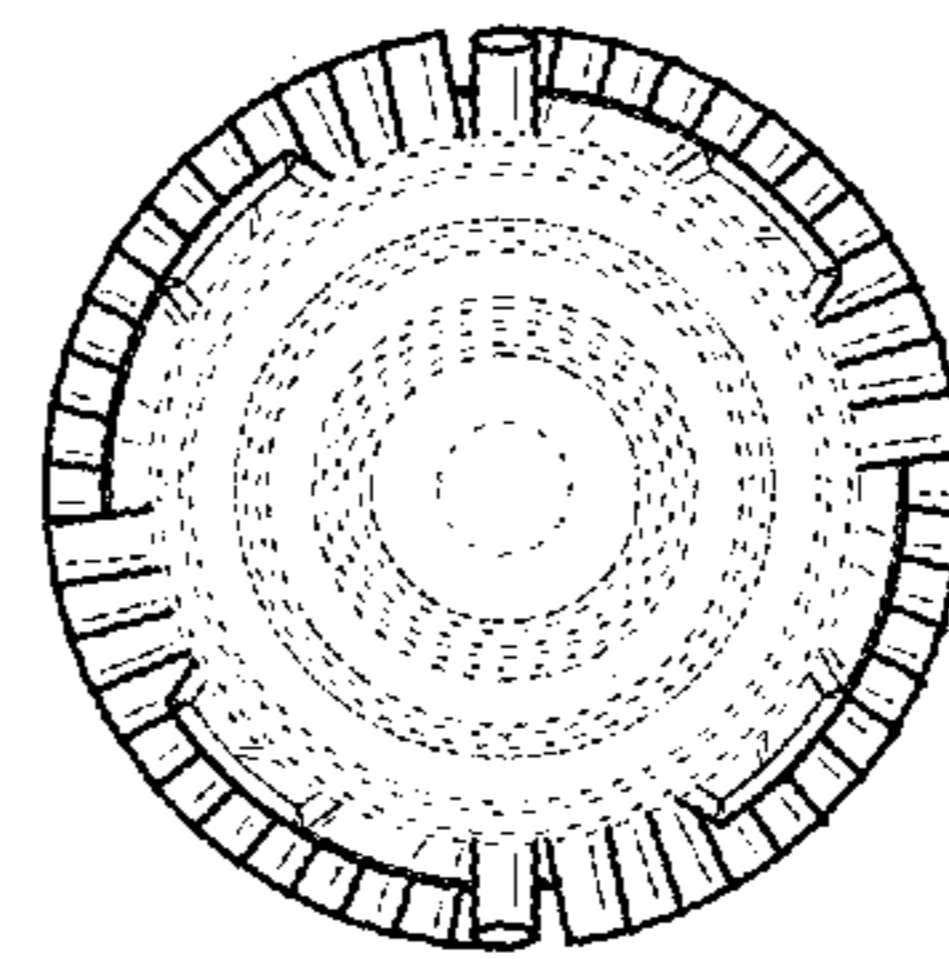


FIG. 4

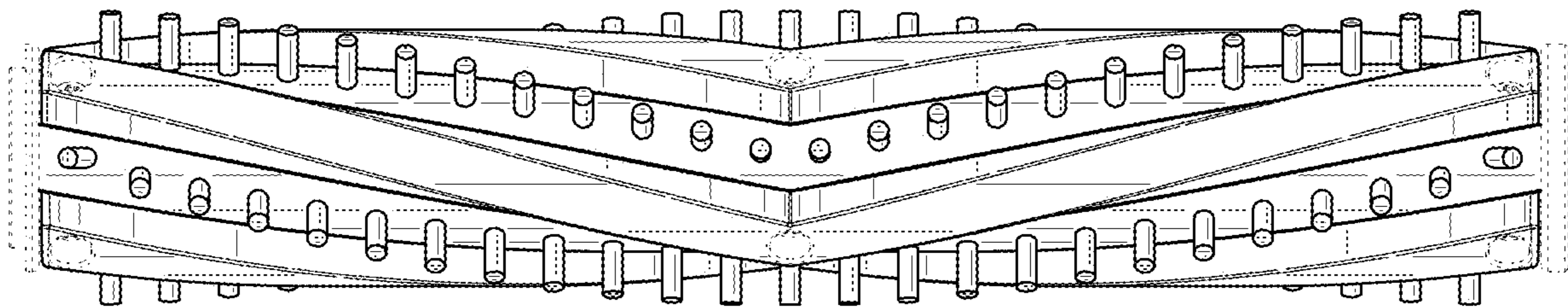


FIG. 5