



US00D921367S

(12) **United States Design Patent** (10) **Patent No.:** **US D921,367 S**
Buckel, Jr. et al. (45) **Date of Patent:** **** Jun. 8, 2021**

(54) **MINI ROLLER**
(71) Applicant: **The Sherwin-Williams Company,**
Cleveland, OH (US)
(72) Inventors: **Charles T. Buckel, Jr.,** Warrensville
Hts., OH (US); **Michael C.**
Lambertson, Jr., Warrensville Hts., OH
(US); **Connie M. Mckinney,** Cleveland,
OH (US); **William Pavilonis,**
Cleveland, OH (US)
(73) Assignee: **THE SHERWIN-WILLIAMS**
COMPANY, Cleveland, OH (US)

3,369,269 A 2/1968 Deck
3,623,180 A 11/1971 Anderson
3,685,084 A 8/1972 Bennett
3,886,621 A 6/1975 Welsh
3,933,415 A 1/1976 Woolpert
4,304,025 A 12/1981 Christensen
4,599,762 A 7/1986 Rigter
5,105,500 A * 4/1992 Bordogna B05C 17/02
15/230.11
D338,107 S * 8/1993 Janssen D4/122
5,400,459 A 3/1995 Jarecke
5,444,891 A 8/1995 Benson
5,463,789 A 11/1995 Zilinski
5,623,740 A 4/1997 Burns
5,769,769 A 6/1998 Torntore
(Continued)

(**) Term: **15 Years**

FOREIGN PATENT DOCUMENTS

(21) Appl. No.: **29/673,403**
(22) Filed: **Dec. 14, 2018**
(51) **LOC (13) Cl.** **14-01**
(52) **U.S. Cl.**
USPC **D4/122**
(58) **Field of Classification Search**
USPC D4/122, 199; D6/317, 566; D8/370,
D8/373, 303, 107; 15/27, 230.11;
211/106, 106.01; 248/302; 492/13, 16,
492/17, 19; 16/422, 430, 431, 902,
16/DIG. 12, DIG. 18, DIG. 19
CPC B05C 1/00; B05C 1/02; B05C 17/0205;
B44D 2/00
See application file for complete search history.

DE 2439065 2/1975
DE 4009044 9/1991
(Continued)

Primary Examiner — Austin Murphy
(74) *Attorney, Agent, or Firm* — McDonald Hopkins LLC

(57) **CLAIM**

The ornamental design for a mini roller, as shown and described.

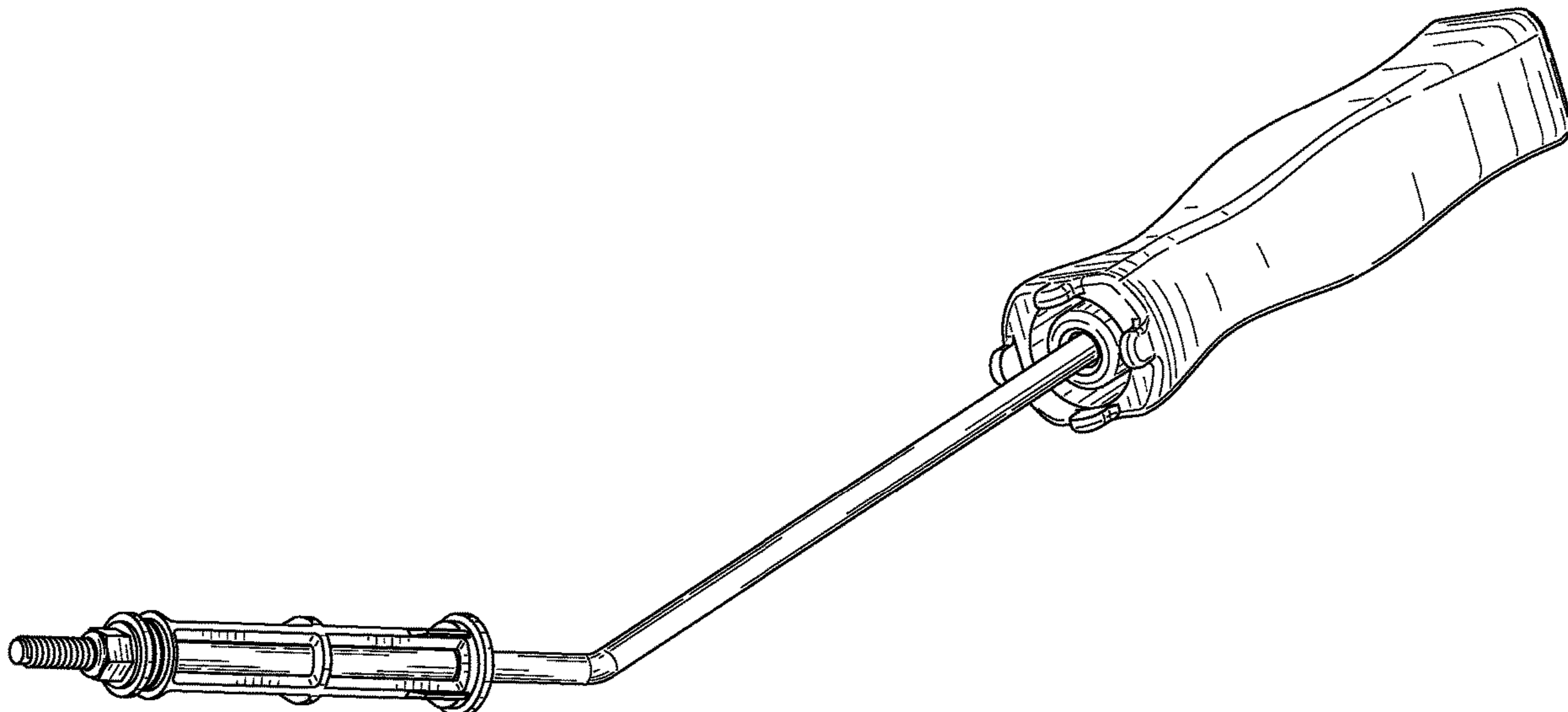
DESCRIPTION

FIG. 1 is a perspective view of a first embodiment of a mini roller showing our new design;
FIG. 2 is a first side view thereof;
FIG. 3 is a second side view thereof;
FIG. 4 is a bottom side view thereof;
FIG. 5 is a top side view thereof;
FIG. 6 is a back view thereof; and,
FIG. 7 is a front view thereof.
The broken lines illustrate portions of a mini roller that form no part of the claimed design.

(56) **References Cited**
U.S. PATENT DOCUMENTS

2,644,186 A 7/1953 Guimond
2,763,022 A 9/1956 Glacken
2,799,886 A 7/1957 Brunelli
2,836,840 A 6/1958 Pratt
3,204,276 A 9/1965 Kennedy

1 Claim, 5 Drawing Sheets



(56)

References Cited

U.S. PATENT DOCUMENTS

6,408,479 B1 * 6/2002 Pinney B05C 17/022
15/144.1
D465,090 S 11/2002 Robinson
6,510,579 B1 1/2003 Gartner
6,574,824 B2 6/2003 Burns
6,687,945 B2 2/2004 Robinson
6,742,212 B2 6/2004 Pyles
D497,451 S * 10/2004 Hajianpour D28/7
6,871,376 B1 3/2005 D'Ambrosio
6,925,674 B2 8/2005 Prince
6,957,470 B2 10/2005 Rivadeneira
D521,245 S * 5/2006 Inch D4/122
7,305,732 B2 12/2007 Karroll
D574,153 S * 8/2008 Dehart D4/122
D603,609 S * 11/2009 Reed D4/122
D671,749 S * 12/2012 Brown D4/122
D677,901 S * 3/2013 Boukair D4/122
D677,903 S 3/2013 Boukair
D683,546 S 6/2013 Woolfolk
8,819,885 B1 9/2014 Boukair
8,819,886 B1 9/2014 Boukair
D728,945 S * 5/2015 Neal D4/122
D741,604 S * 10/2015 Typrowicz D4/122
9,199,266 B2 12/2015 Boukair
9,205,446 B2 12/2015 Sandahl
D750,381 S * 3/2016 Parker D4/122
9,272,304 B1 3/2016 Emery
D754,974 S * 5/2016 Arvinte D4/122
9,333,528 B2 5/2016 Decarr

D758,082 S * 6/2016 Rockwell D4/122
D773,827 S * 12/2016 Typrowicz D4/122
D796,211 S * 9/2017 Getchell D4/122
9,999,897 B2 * 6/2018 Denissov B05C 17/02
10,035,171 B2 7/2018 Boukair
D845,000 S * 4/2019 Simpson D4/122
D855,332 S * 8/2019 Huang D4/122
D871,078 S * 12/2019 Winter D4/122
D889,852 S * 7/2020 Libman D4/122
2002/0194691 A1 12/2002 Meyer
2006/0080800 A1 4/2006 Sander
2010/0024147 A1 * 2/2010 Watson B05C 17/0205
15/230.11
2010/0180817 A1 7/2010 Binyamin
2013/0205530 A1 8/2013 Dale
2014/0249006 A1 9/2014 Gallardo
2015/0052699 A1 * 2/2015 Byrne B05C 17/0227
15/230.11

FOREIGN PATENT DOCUMENTS

DE	4419672	8/1995
DE	20305209	6/2003
GB	2420513	10/2006
JP	S59190378	12/1984
JP	S61111580	7/1986
JP	S6373180	5/1988
JP	S63168075	11/1988
JP	H01128876	9/1989
WO	WO9400245	1/1994
WO	WO1994000245	1/1994

* cited by examiner

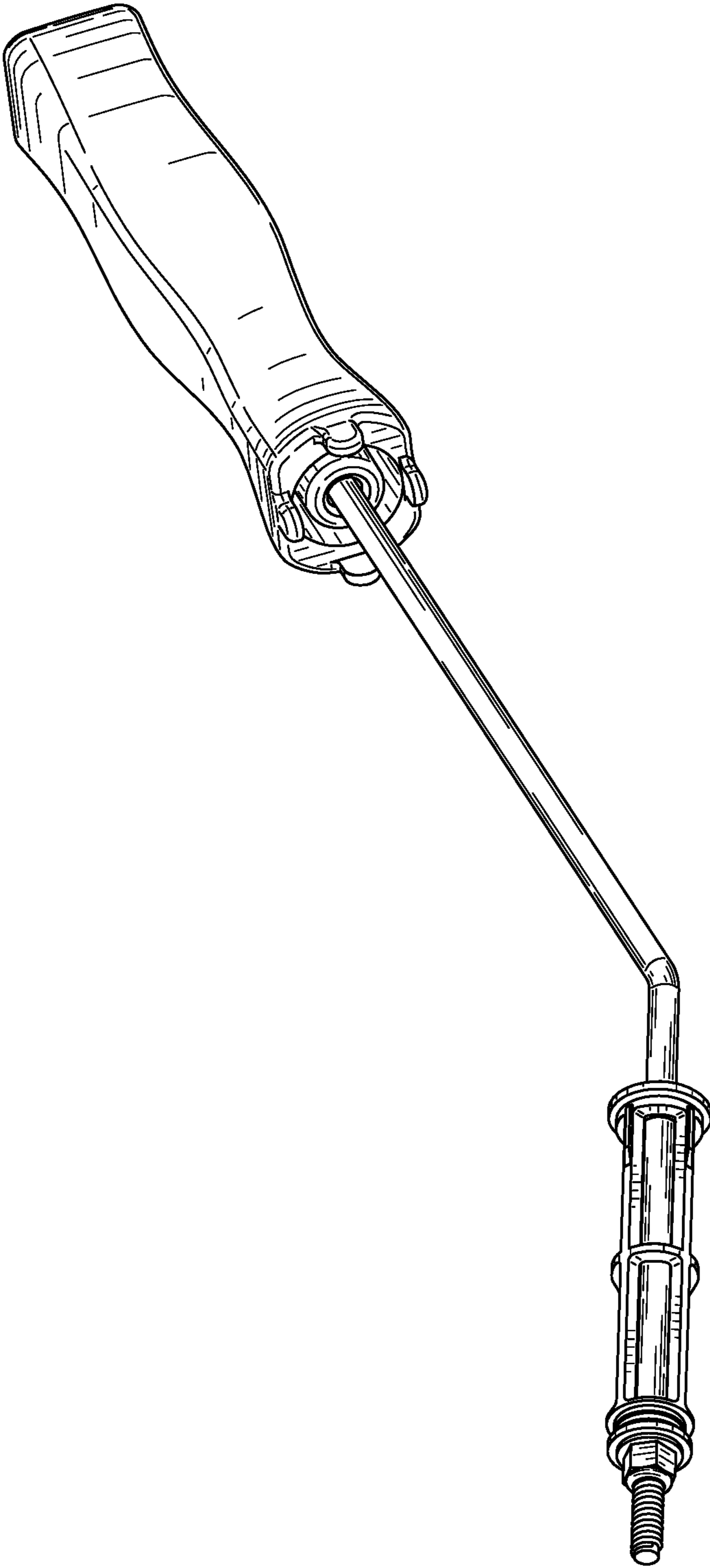


FIG. 1

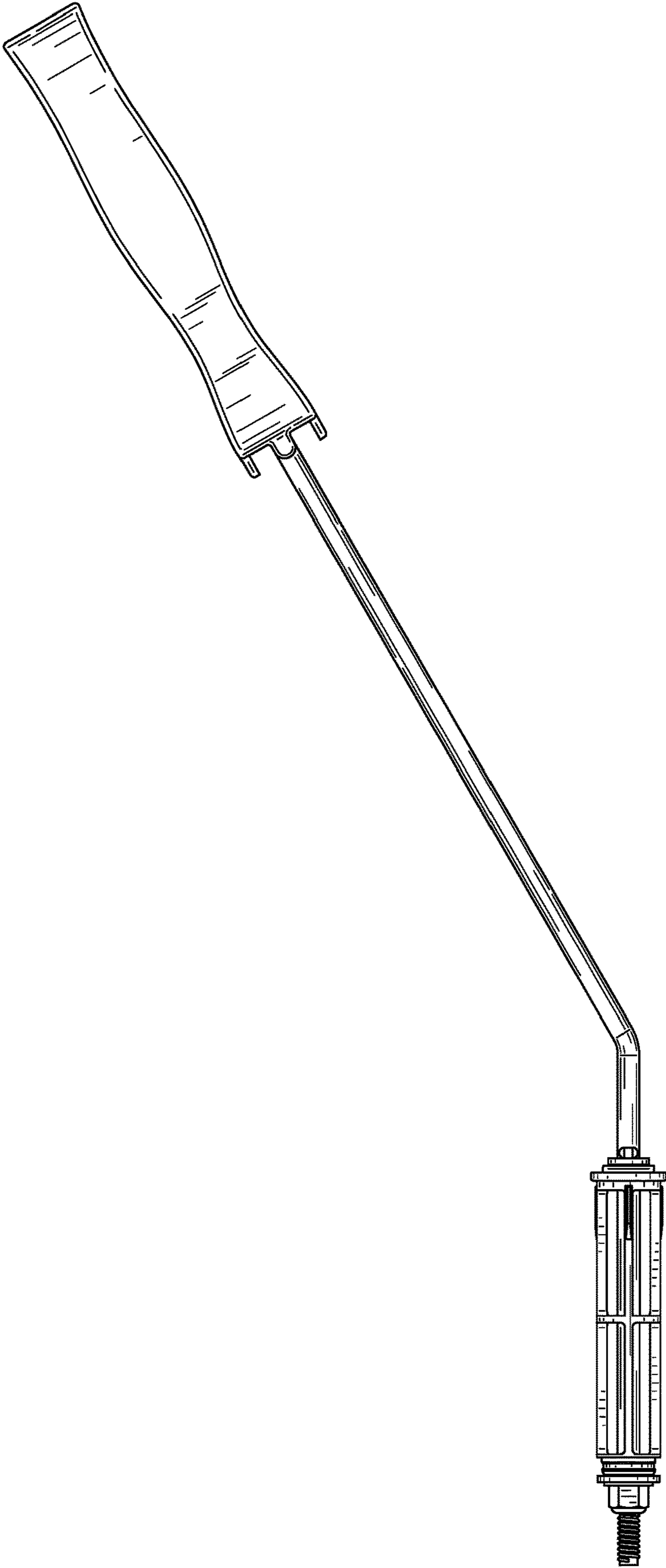


FIG. 2

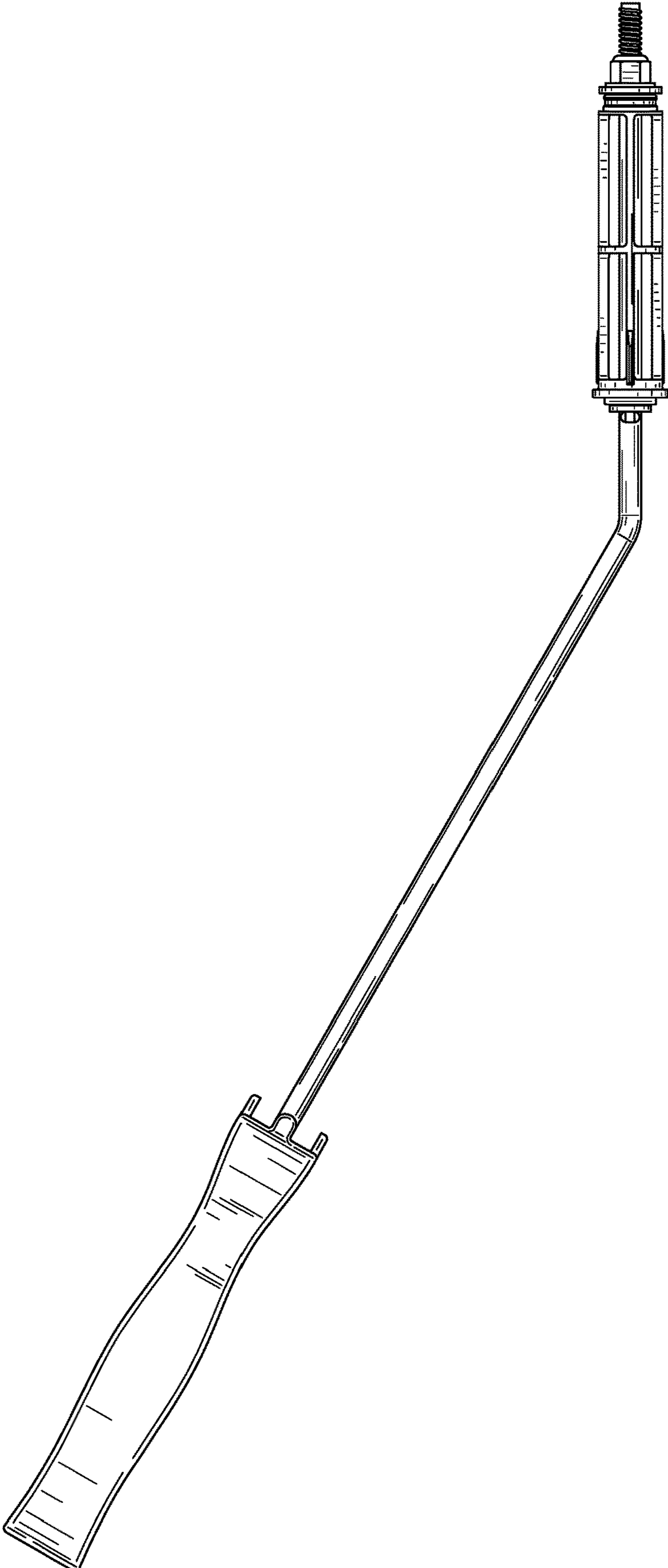


FIG. 3

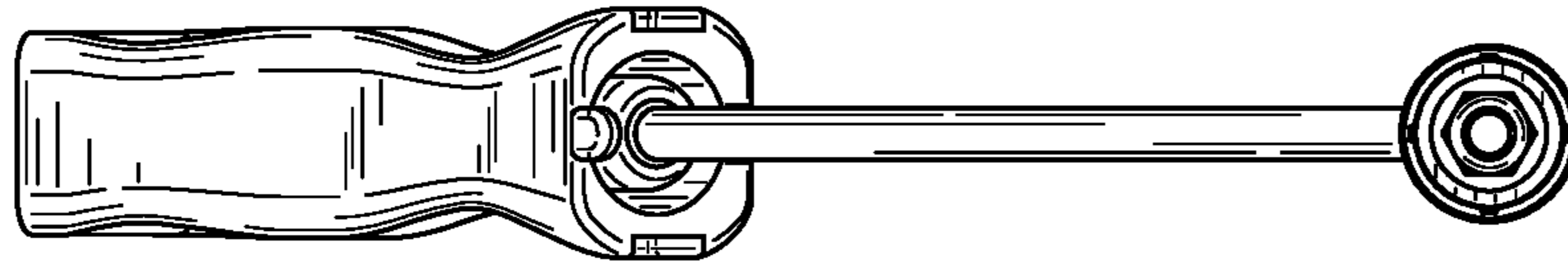


FIG. 5

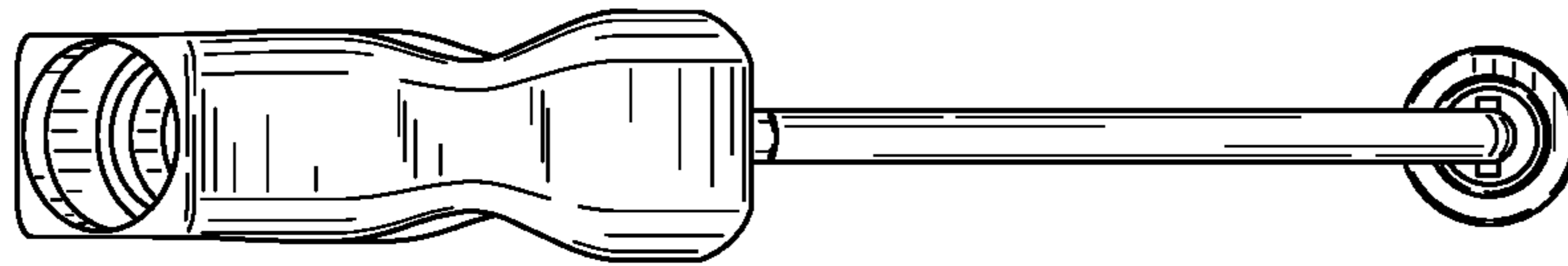


FIG. 4

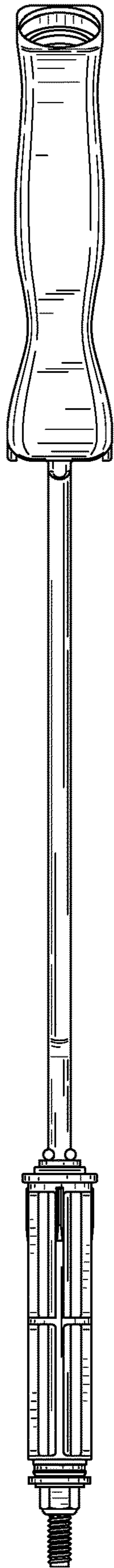


FIG. 6

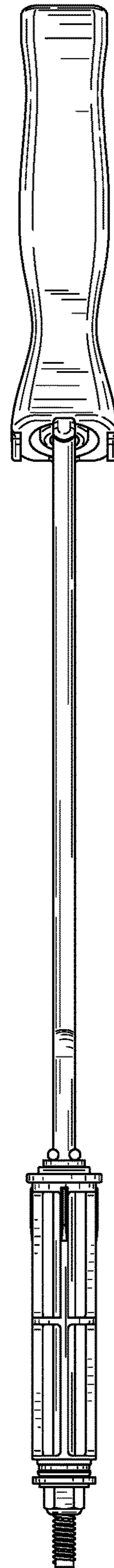


FIG. 7