



US00D921366S

(12) **United States Design Patent** (10) **Patent No.:** **US D921,366 S**
He (45) **Date of Patent:** **** Jun. 8, 2021**

(54) **FACIAL BRUSH**
(71) Applicant: **Gaofeng He**, Guangdong (CN)
(72) Inventor: **Gaofeng He**, Guangdong (CN)
(73) Assignee: **Shenzhen Golden Wish Personal Care Co., Ltd.**
(**) Term: **15 Years**

D803,574 S * 11/2017 Munitz D4/132
D804,189 S * 12/2017 von Berg D4/100
D812,379 S * 3/2018 Ng D4/120
D817,571 S * 5/2018 Campbell D32/35
D883,575 S * 5/2020 Liu D28/63
D902,491 S * 11/2020 de la Cruz D28/63
D910,314 S * 2/2021 Alexander D4/102
2004/0237233 A1* 12/2004 Dragan A46B 3/02
15/104.94
2015/0272313 A1* 10/2015 Alsalameh A46B 9/023
401/28

(21) Appl. No.: **29/716,043**
(22) Filed: **Dec. 6, 2019**
(51) **LOC (13) Cl.** **28-03**
(52) **U.S. Cl.**
USPC **D4/102; D24/215**
(58) **Field of Classification Search**
USPC D4/100, 102, 121, 127, 128, 129, 130,
D4/132, 133, 134, 135, 136, 137, 138,
D4/199; D28/13, 24, 28, 25, 35;
D24/209, 214, 215
CPC .. A46B 5/02; A46B 9/005; A46B 9/02; A46B
9/023; A46B 9/06; A46B 15/0022; A46B
15/0024; A46B 15/003; A46B 5/0059;
A46B 15/0075; A46B 2200/1093; A46B
2200/104; A45D 2/001; A45D 2/002;
A45D 7/02; A45D 20/48
See application file for complete search history.

FOREIGN PATENT DOCUMENTS

CN 305150993 * 5/2019
EM 006407839-0001 * 5/2019
KR 300380950.0000 * 5/2005

* cited by examiner

Primary Examiner — Karen E Eldridge Powers

(57) **CLAIM**

The ornamental design for a facial brush, as shown and described.

DESCRIPTION

FIG. 1 is a perspective view of a facial brush showing the claimed design;
FIG. 2 is a top plan view thereof;
FIG. 3 is a rear elevational view thereof;
FIG. 4 is a bottom plan view thereof;
FIG. 5 is a right side elevational view thereof;
FIG. 6 is a front elevational view thereof; and,
FIG. 7 is a left side elevational view thereof.

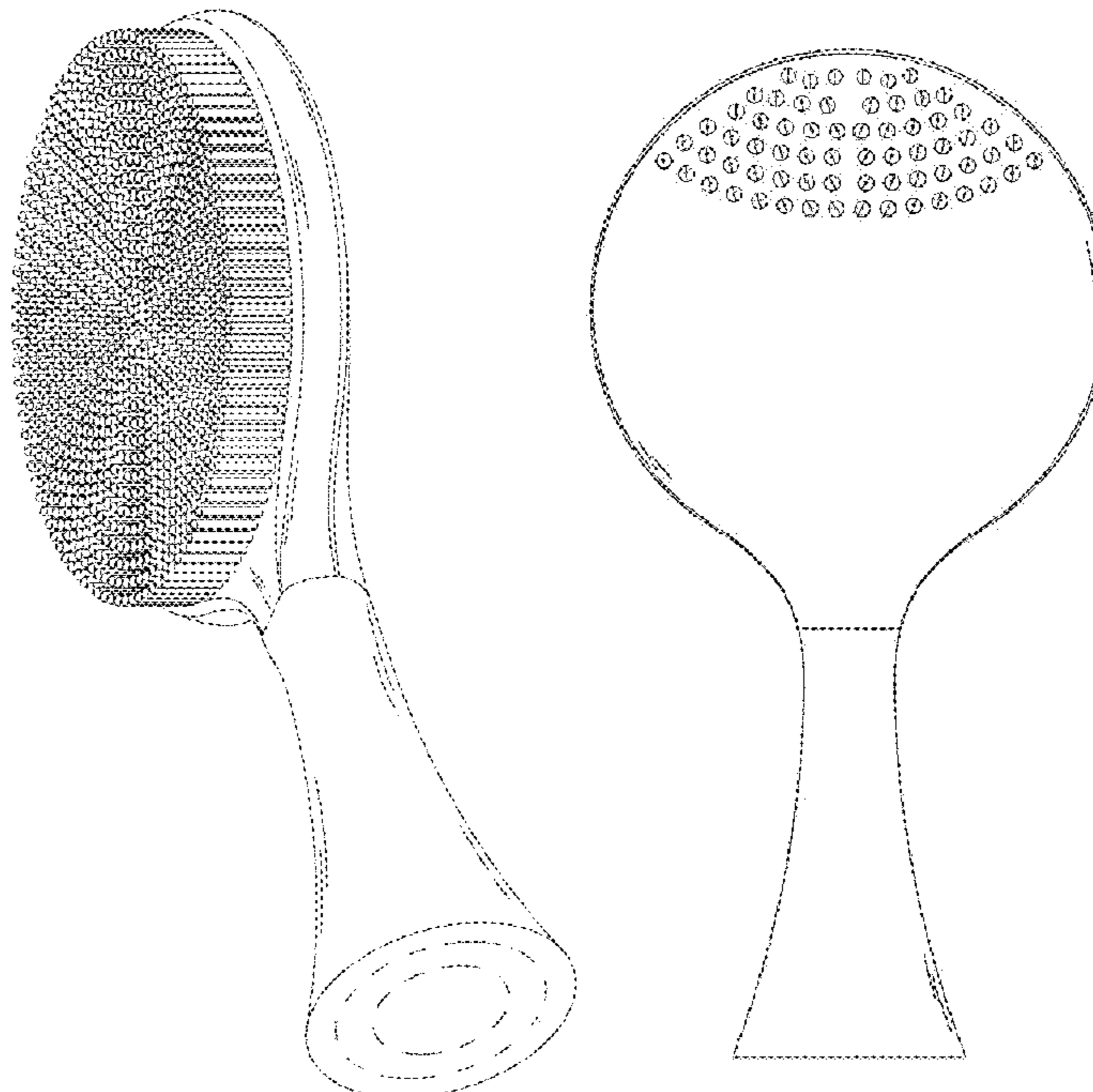
The broken lines illustrate portions of the facial brush that form no part of the claimed design.

1 Claim, 7 Drawing Sheets

(56) **References Cited**

U.S. PATENT DOCUMENTS

D62,068 S * 3/1923 Salm D4/127
D101,591 S * 10/1936 Reilly D4/127
3,314,096 A * 4/1967 Berliner A46B 7/04
15/207.2
D767,226 S * 9/2016 Albers D32/35



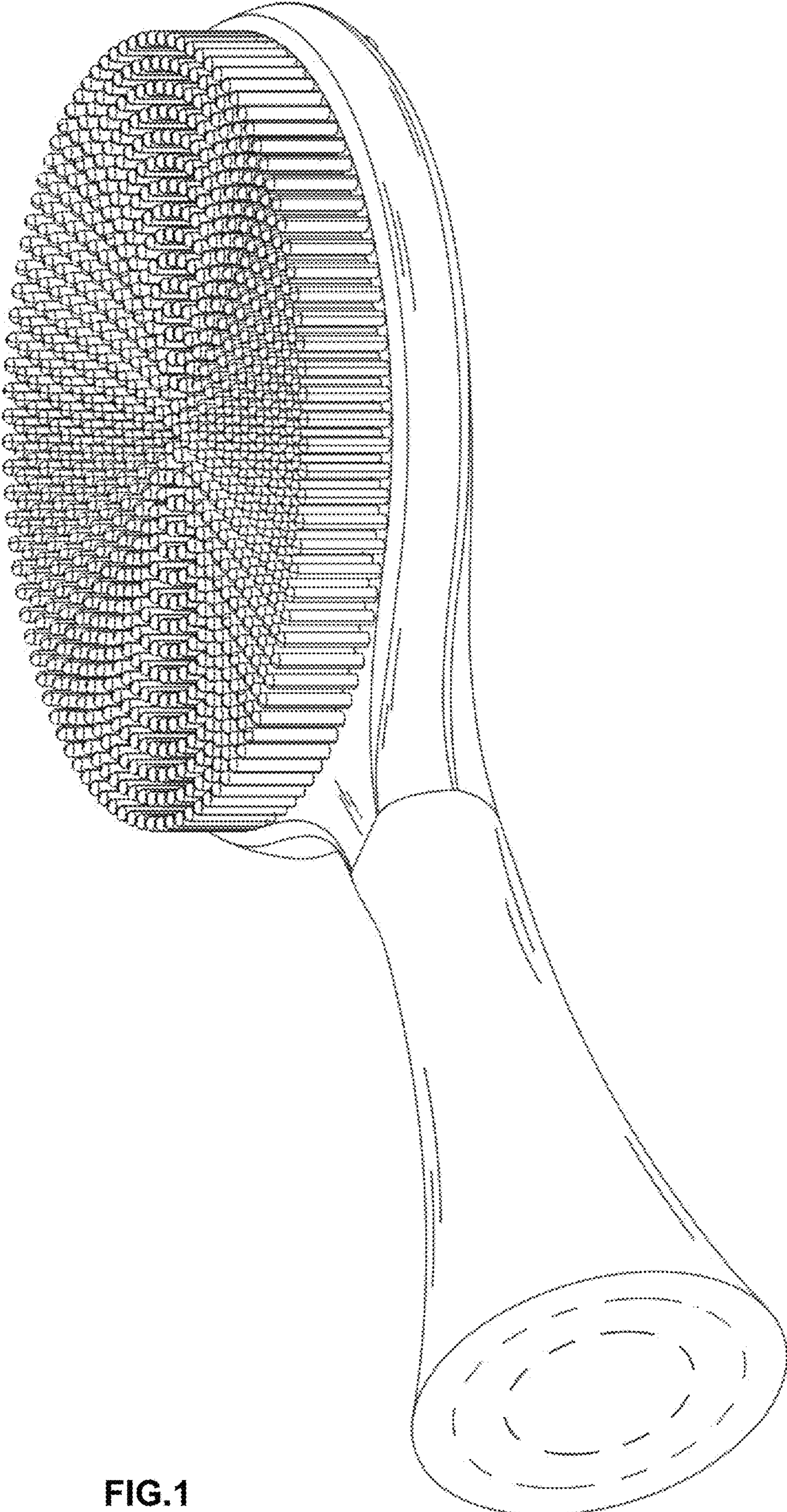


FIG.1

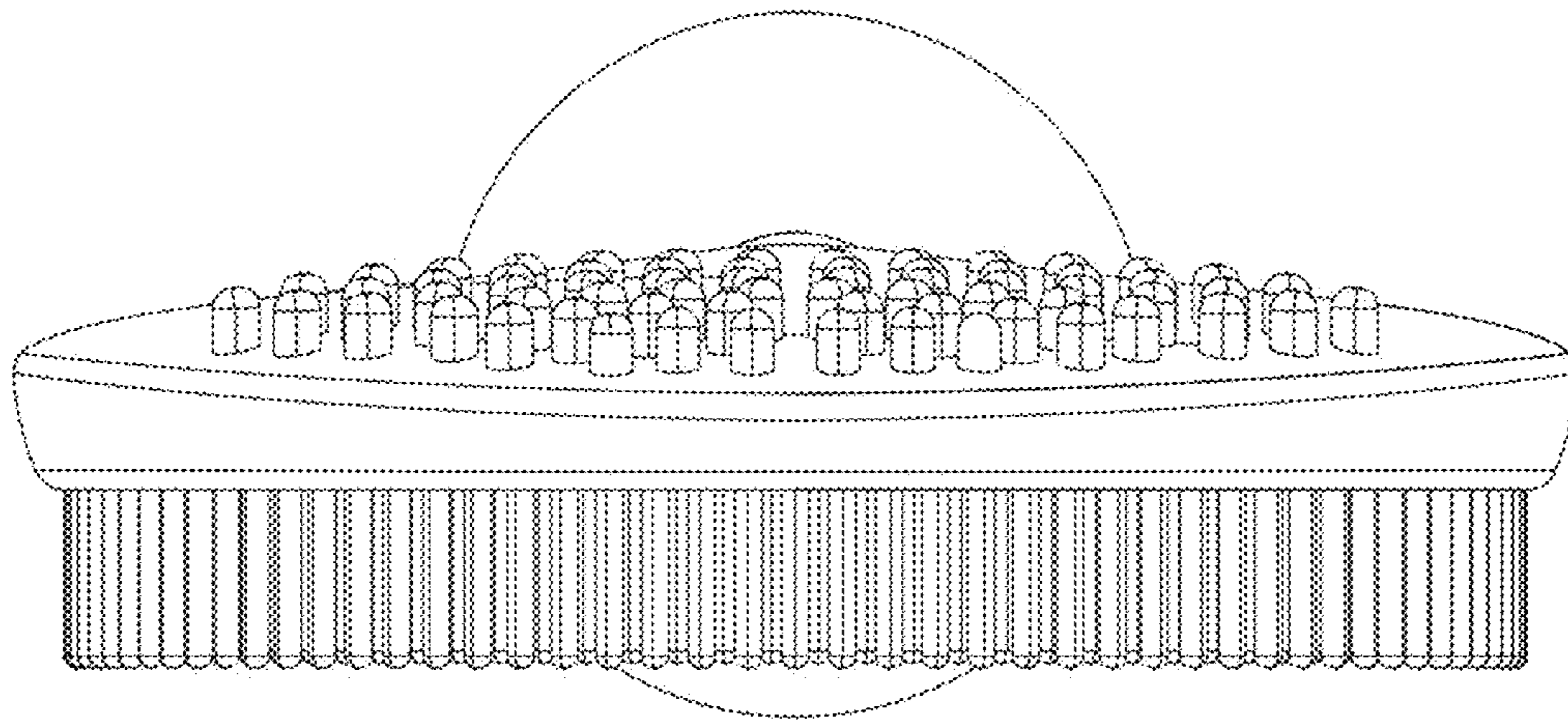


FIG.2

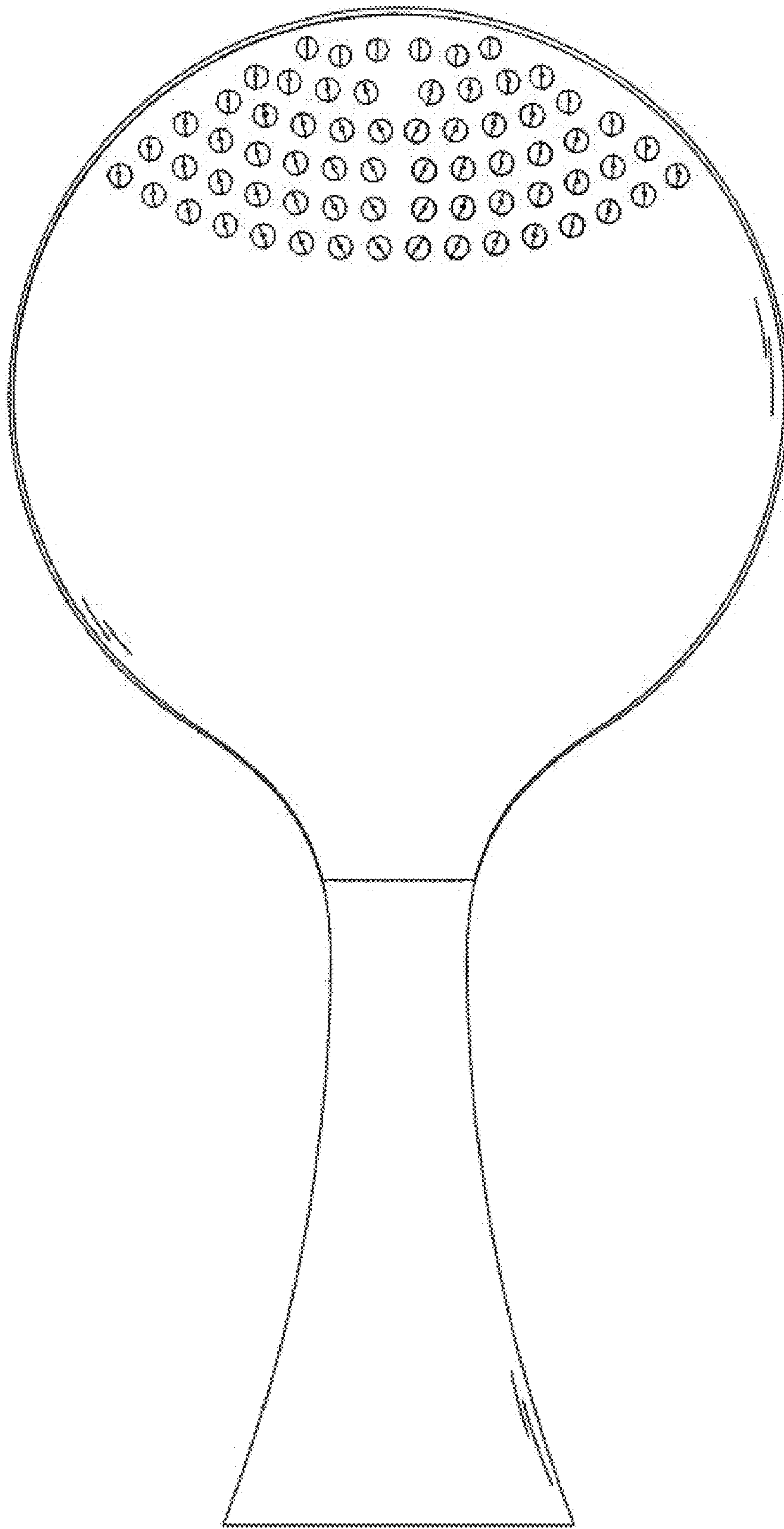


FIG.3

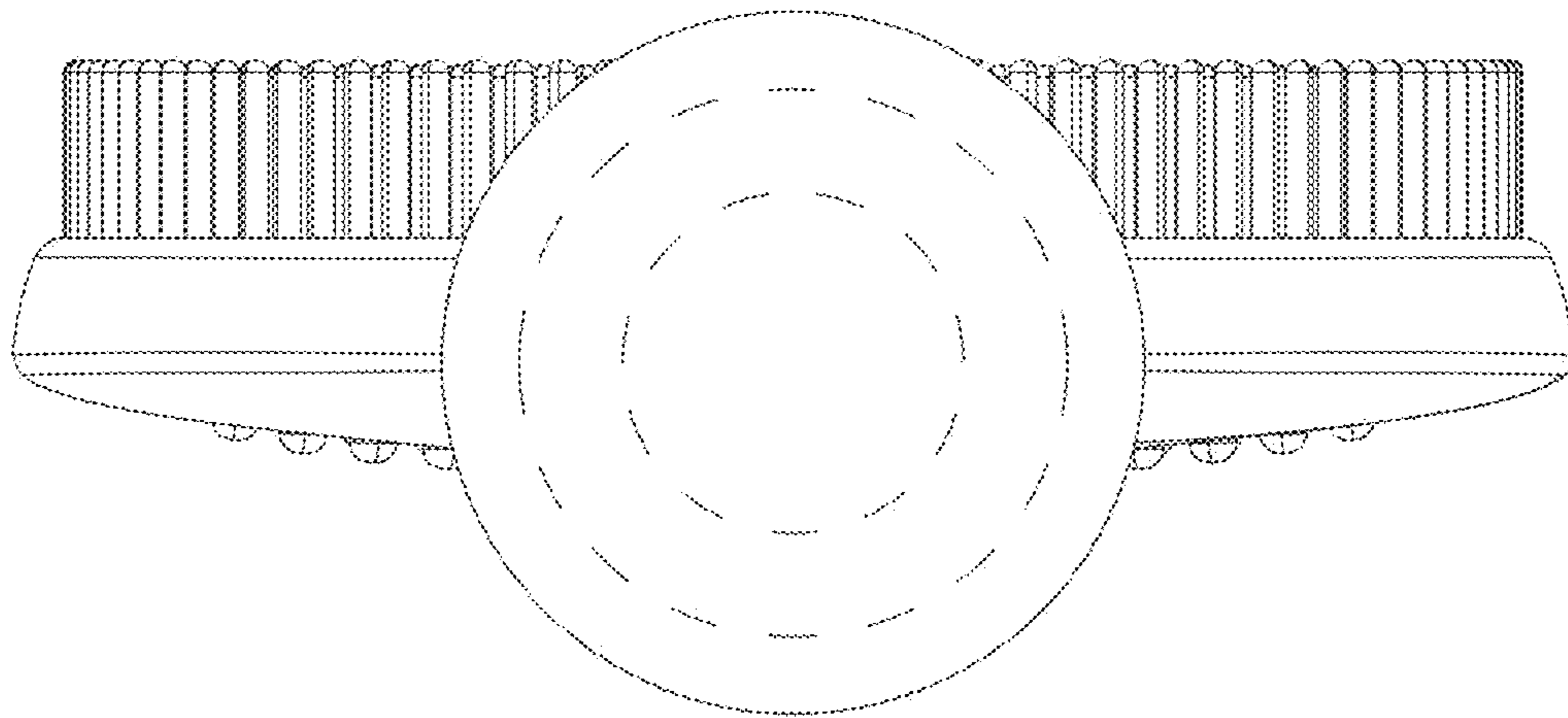


FIG.4

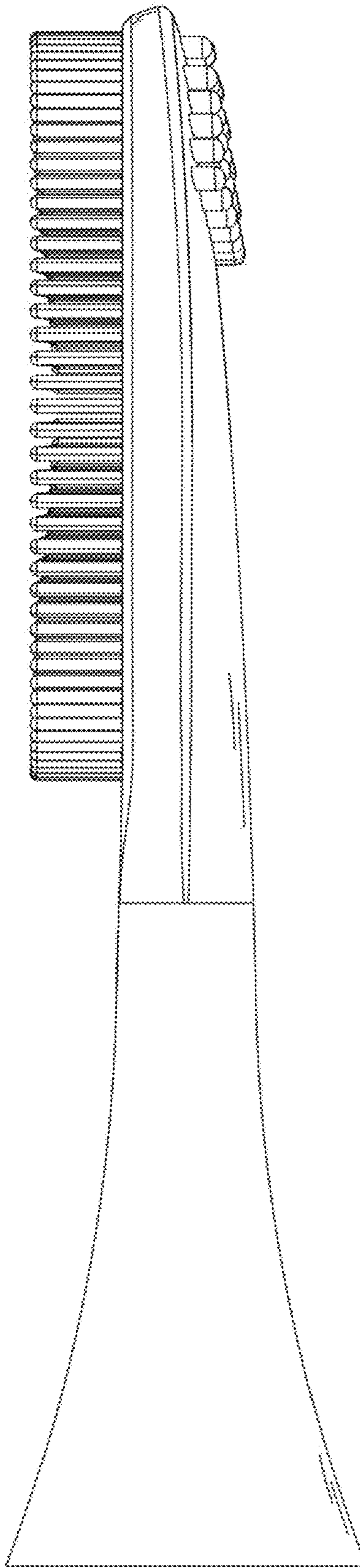


FIG.5

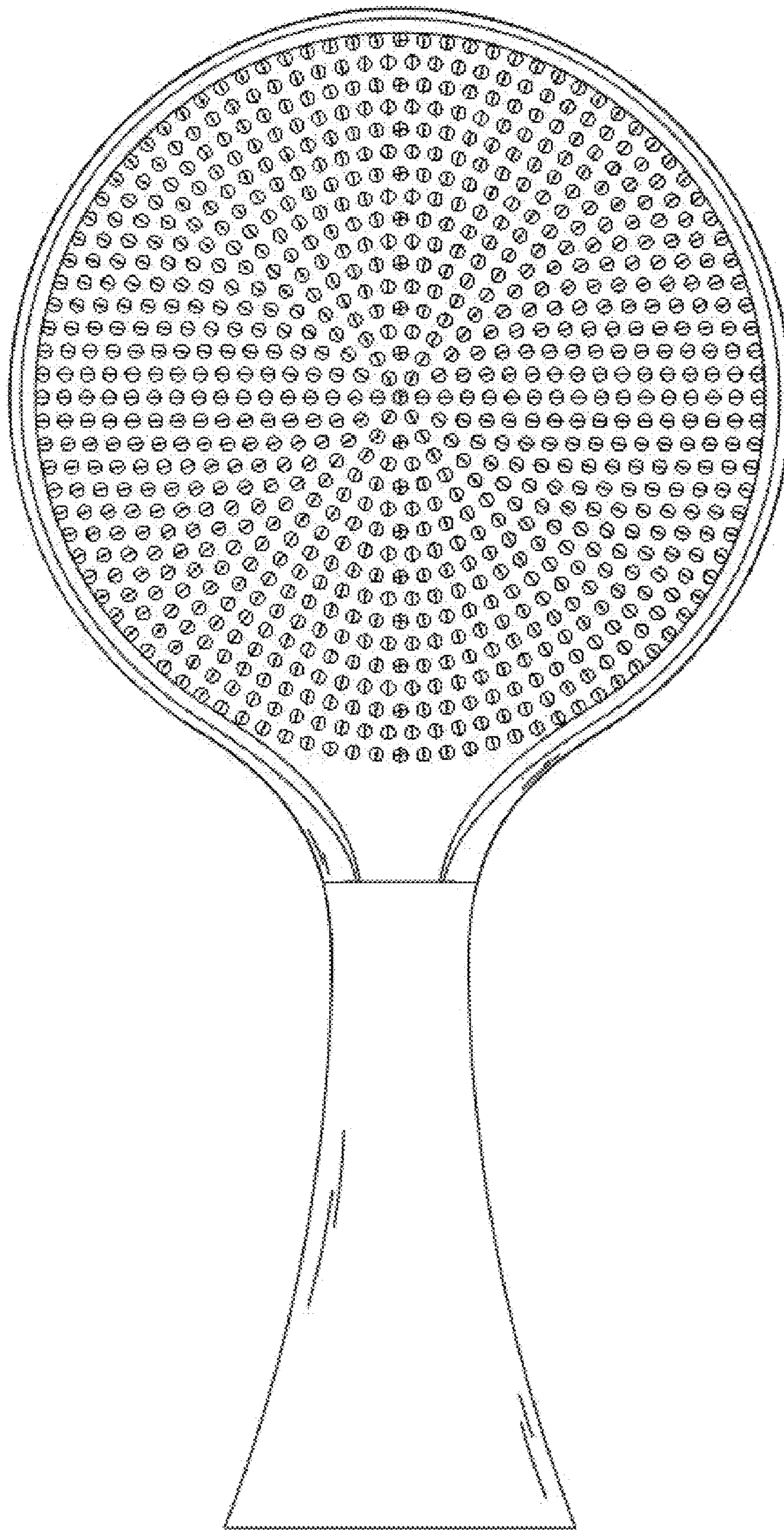


FIG.6

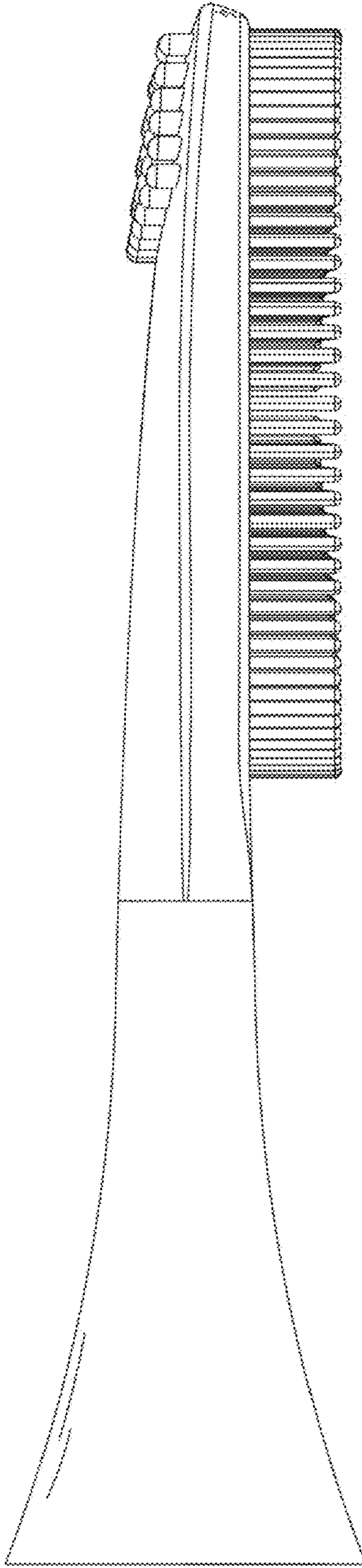


FIG. 7