



US00D921365S

(12) **United States Design Patent**  
**Liu et al.**

(10) **Patent No.:** **US D921,365 S**  
(45) **Date of Patent:** **\*\* Jun. 8, 2021**

(54) **BAG INSERT**

- (71) Applicant: **DSPTCH LLC**, South San Francisco, CA (US)
- (72) Inventors: **Richard Liu**, South San Francisco, CA (US); **Tomoya Saisu**, South San Francisco, CA (US)
- (73) Assignee: **DSPTCH LLC**, South San Francisco, CA (US)

(\*\*) Term: **15 Years**

(21) Appl. No.: **29/708,671**

(22) Filed: **Oct. 8, 2019**

(51) **LOC (13) Cl.** ..... **03-01**

(52) **U.S. Cl.**  
USPC ..... **D3/319**

(58) **Field of Classification Search**  
USPC ..... D3/232, 303, 310, 315, 318–320, 900;  
D9/456, 737; D19/90; D20/10  
CPC ..... A45C 13/02; A45C 2013/026; A45C  
2013/025; A45C 2011/003; A45F  
2200/0525  
See application file for complete search history.

(56) **References Cited**

**U.S. PATENT DOCUMENTS**

D252,596 S *	8/1979	Adler	.....	D3/303
D267,656 S *	1/1983	Vevirit	.....	D19/90
D284,875 S *	7/1986	Howard	.....	D16/241
D354,399 S *	1/1995	Georges	.....	D3/319
D405,832 S *	2/1999	Bolden	.....	D19/75
D525,307 S *	7/2006	Arnold	.....	D19/90
D670,496 S *	11/2012	Phillips	.....	D3/300
D672,146 S *	12/2012	Fathollahi	.....	D3/299
D690,098 S *	9/2013	Murchison	.....	D3/232
D801,050 S *	10/2017	Foley	.....	D3/310
D856,664 S *	8/2019	Swartzel	.....	D3/232
D908,797 S *	1/2021	Lim	.....	D20/10

(Continued)

**OTHER PUBLICATIONS**

“Tote Insert”, Date first available: Oct. 2, 2020, DSPTCH.com, site visited Jan. 25, 2020: <https://www.dsptch.com/collections/pack-add-ons> (Year: 2020).\*

*Primary Examiner* — Jennifer L Watkins

*Assistant Examiner* — Samantha Lynne Brodowski

(74) *Attorney, Agent, or Firm* — Kilpatrick Townsend & Stockton LLP

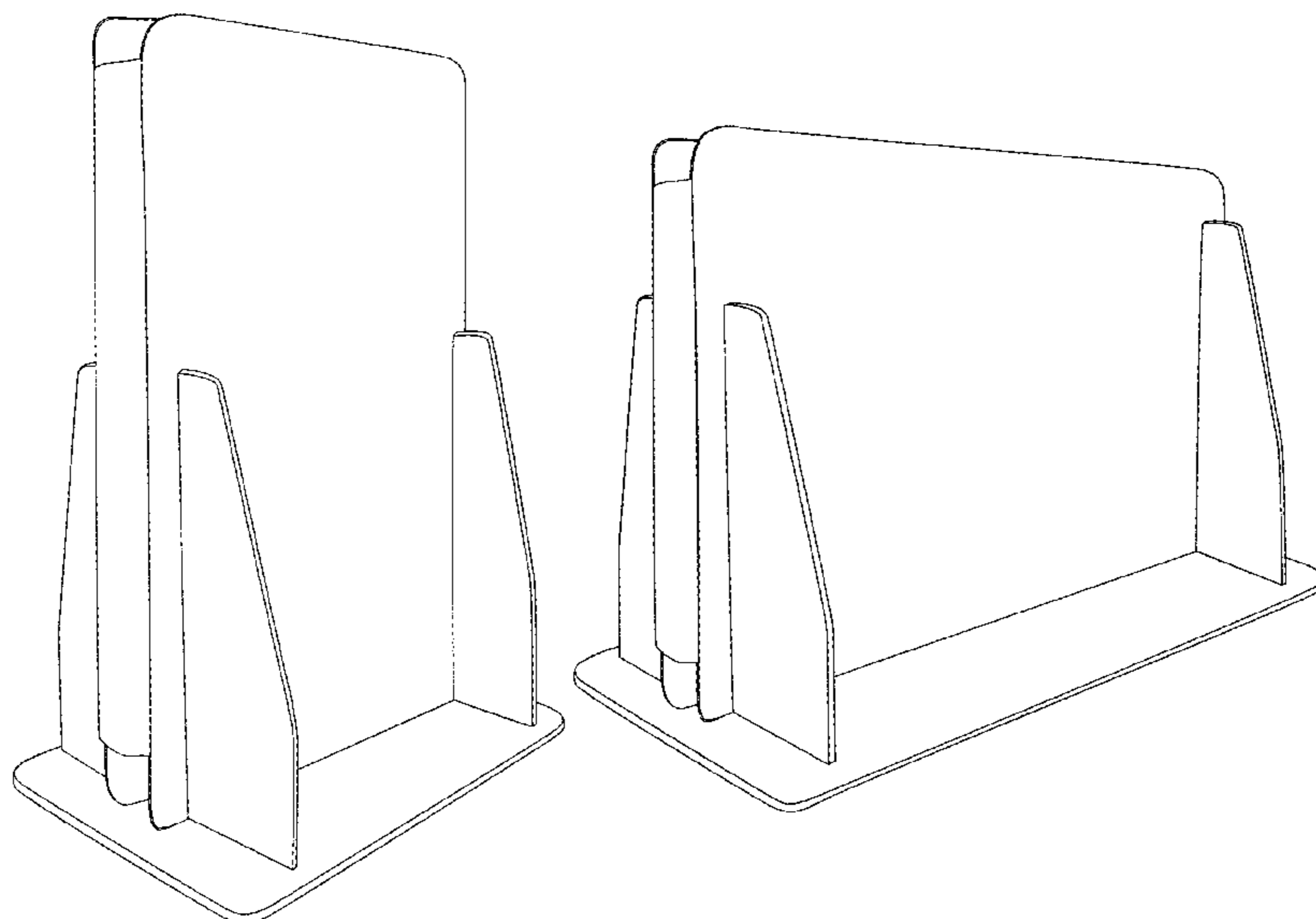
(57) **CLAIM**

The ornamental design for a bag insert, as shown and described.

**DESCRIPTION**

FIG. 1 is a perspective view of a first embodiment of a bag insert, showing our new design;  
 FIG. 2 is a top view thereof;  
 FIG. 3 is a front view thereof, the rear view is a mirror image of the front view;  
 FIG. 4 is a bottom view thereof;  
 FIG. 5 is a left side view thereof, the right side view is a mirror image of the left side view;  
 FIG. 6 is a left side view thereof including an environmental laptop computer;  
 FIG. 7 is a perspective view of a second embodiment of a bag insert, showing our new design;  
 FIG. 8 is a top view thereof;  
 FIG. 9 is a front view thereof, the rear view is a mirror image of the front view;  
 FIG. 10 is a bottom view thereof;  
 FIG. 11 is a left side view thereof, the right side view is a mirror image of the left side view; and,  
 FIG. 12 is a left side view thereof including an environmental laptop computer.  
 The broken lines showing environment form no part of the claimed design.

**1 Claim, 6 Drawing Sheets**



(56)

**References Cited**

U.S. PATENT DOCUMENTS

2003/0029534 A1\* 2/2003 Ma ..... A45C 13/02  
150/113  
2006/0032882 A1\* 2/2006 Howard, Jr. .... A45C 13/02  
224/576  
2006/0144663 A1\* 7/2006 Gullen ..... A45C 13/02  
190/110  
2010/0276316 A1\* 11/2010 Hu ..... A45C 13/005  
206/320

\* cited by examiner

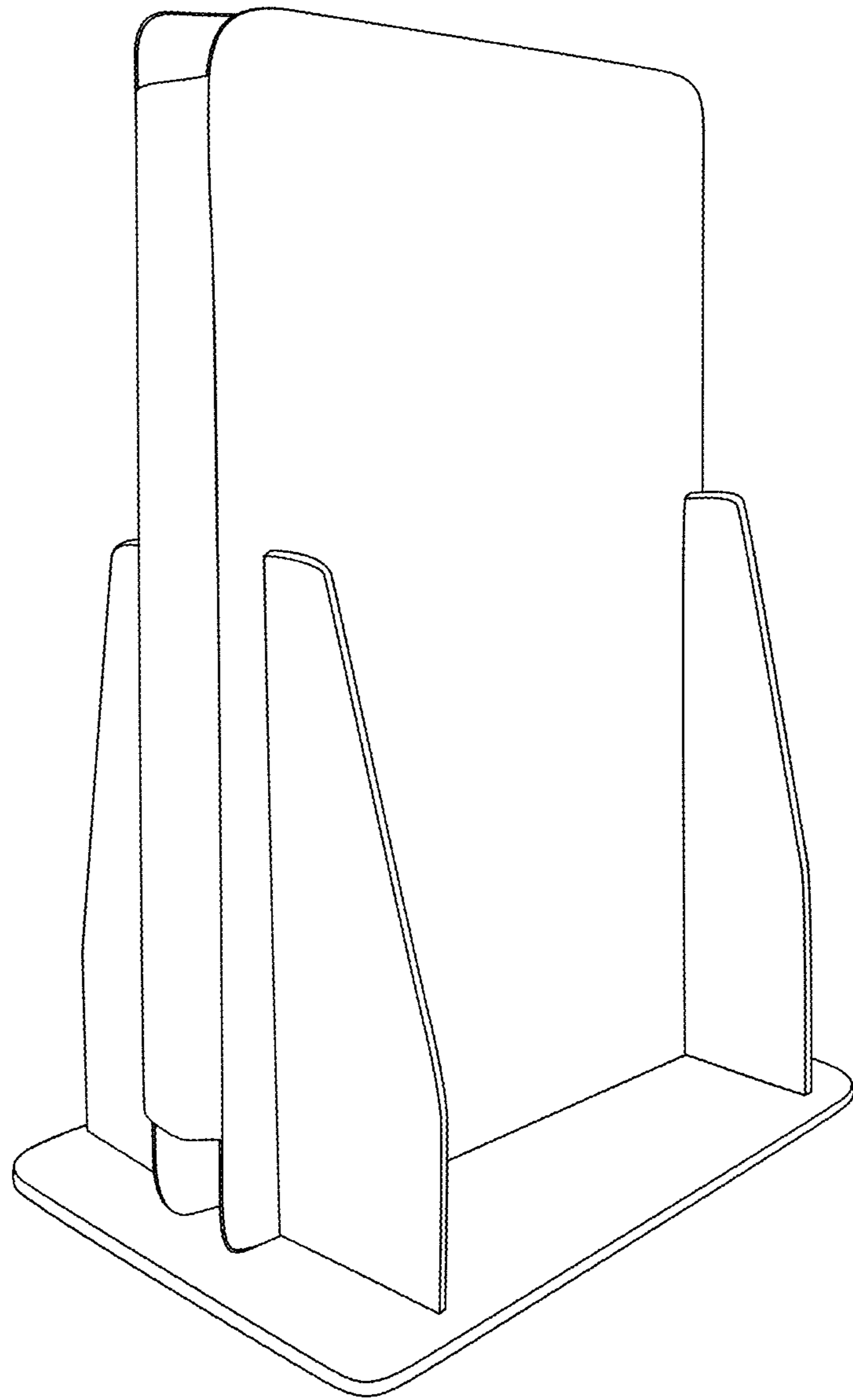


Fig. 1

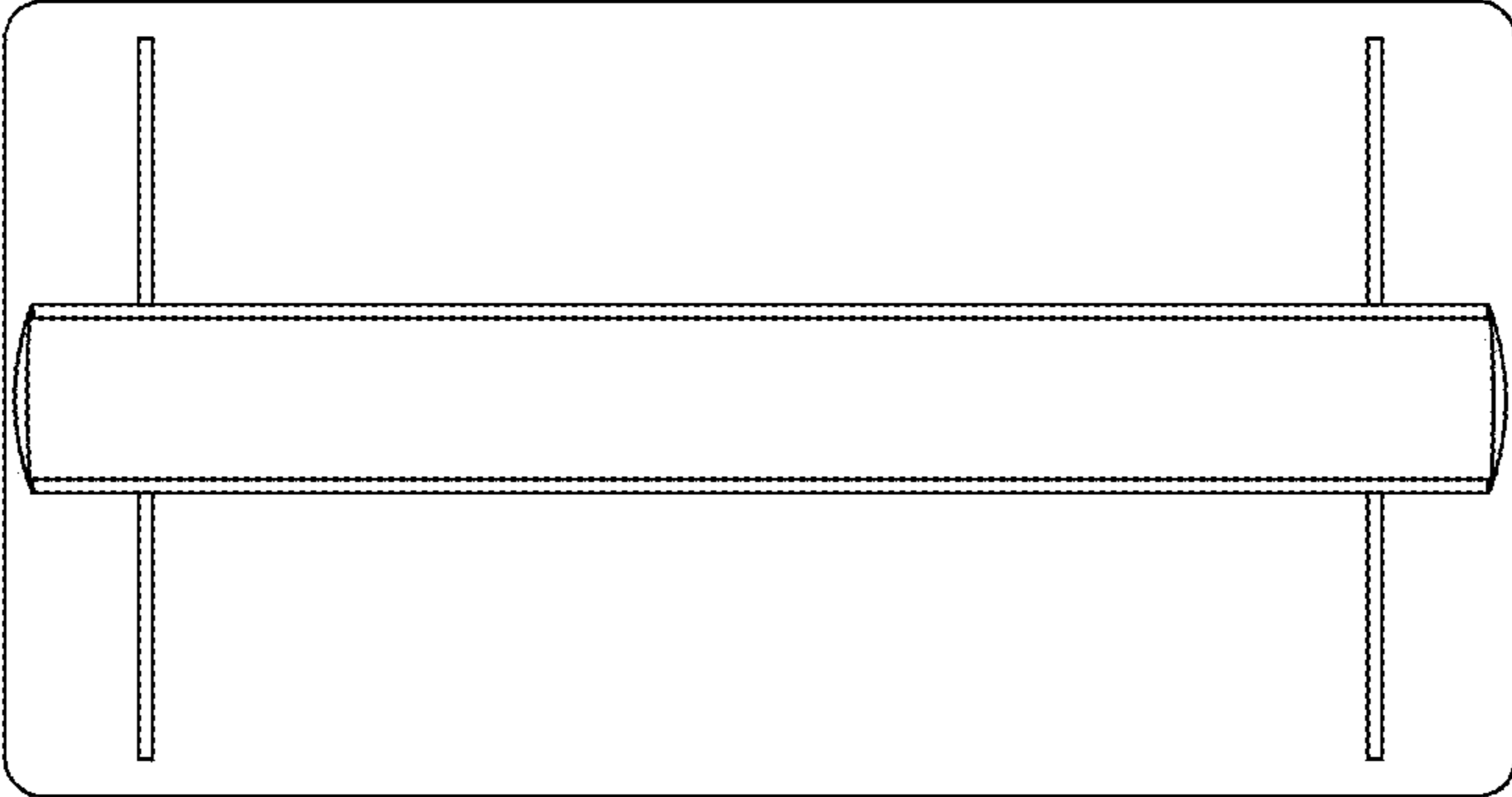


Fig. 2

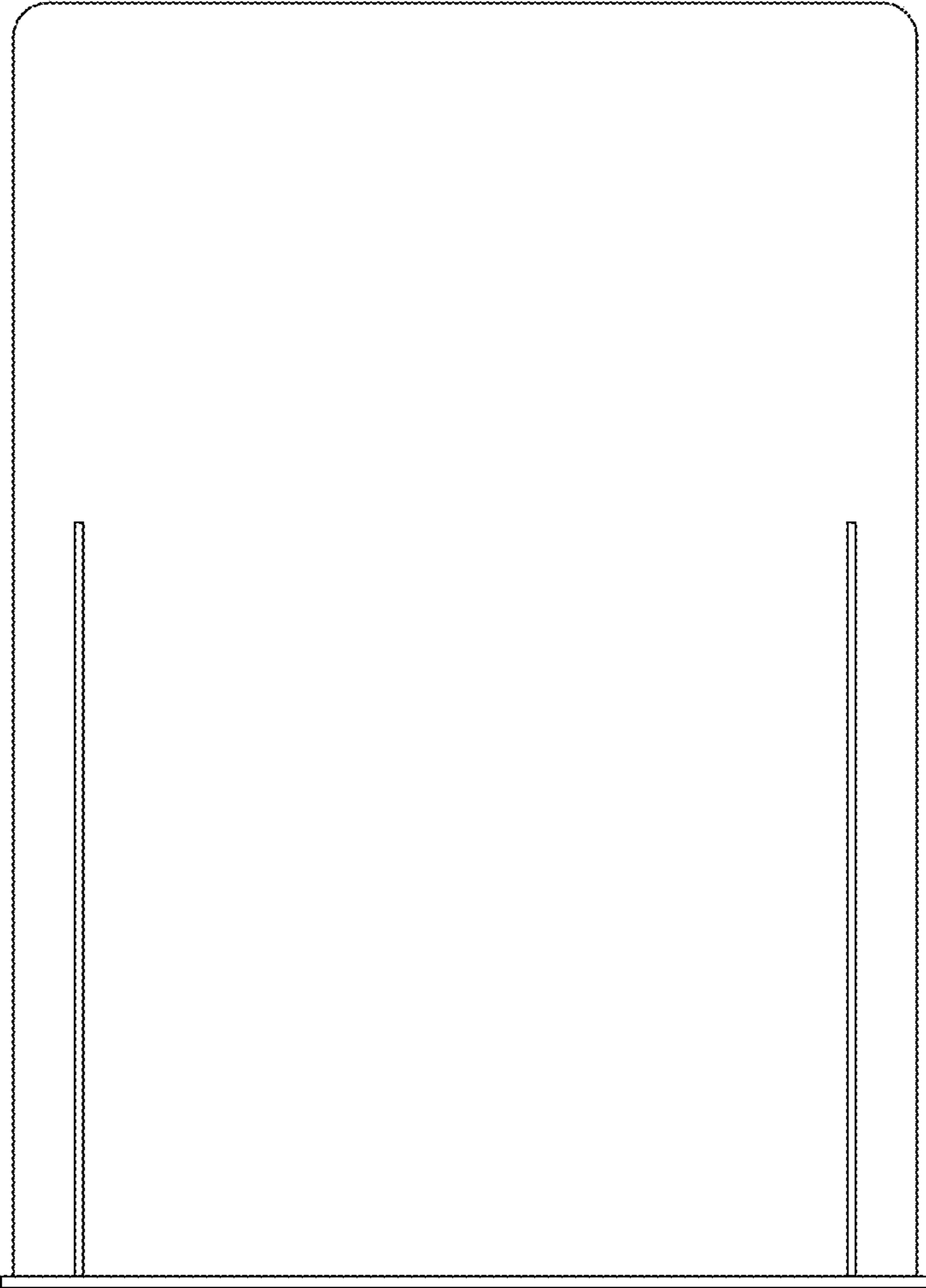


Fig. 3

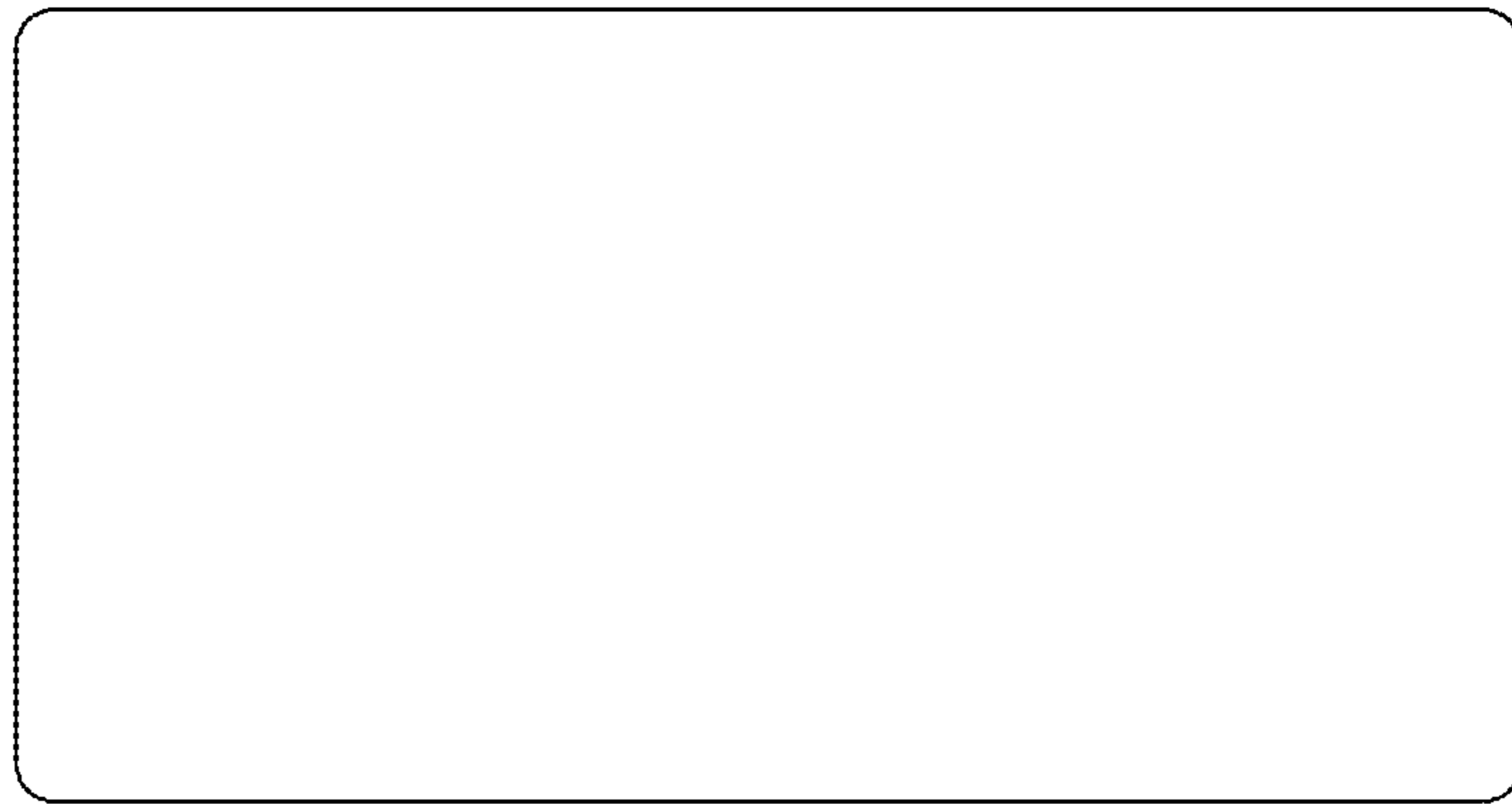


Fig. 4

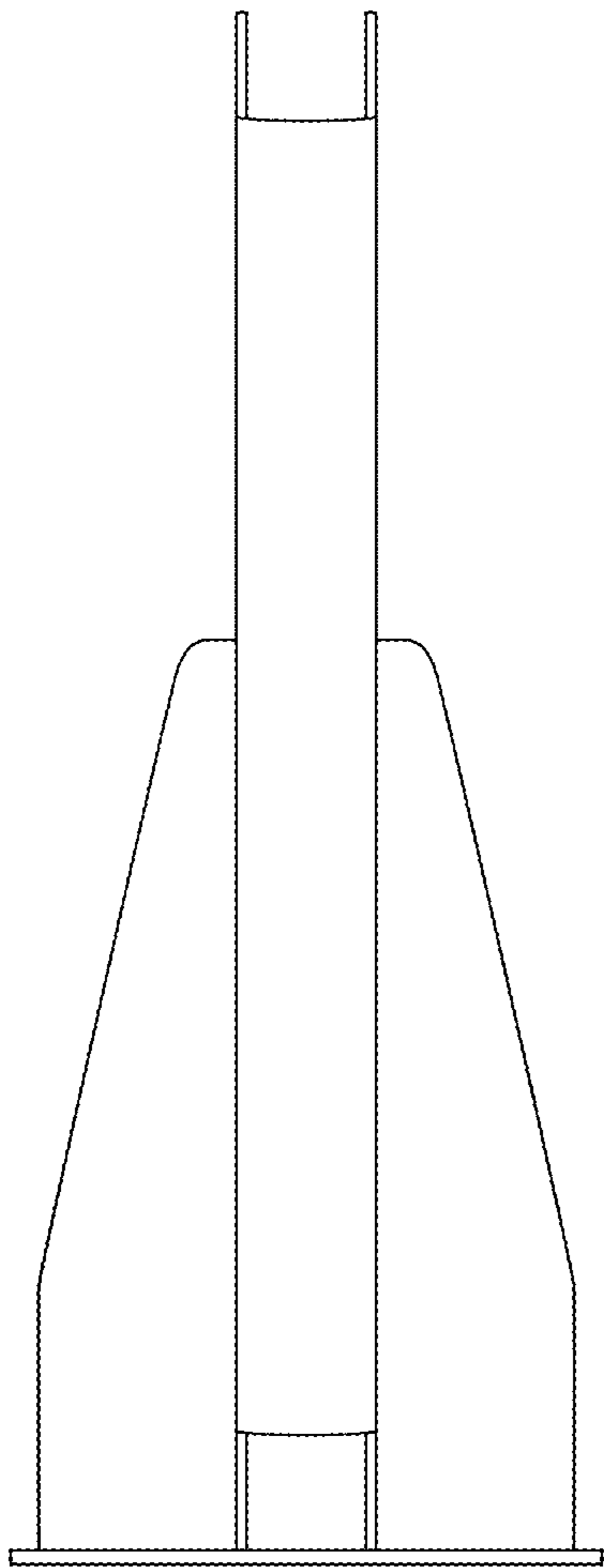


Fig. 5

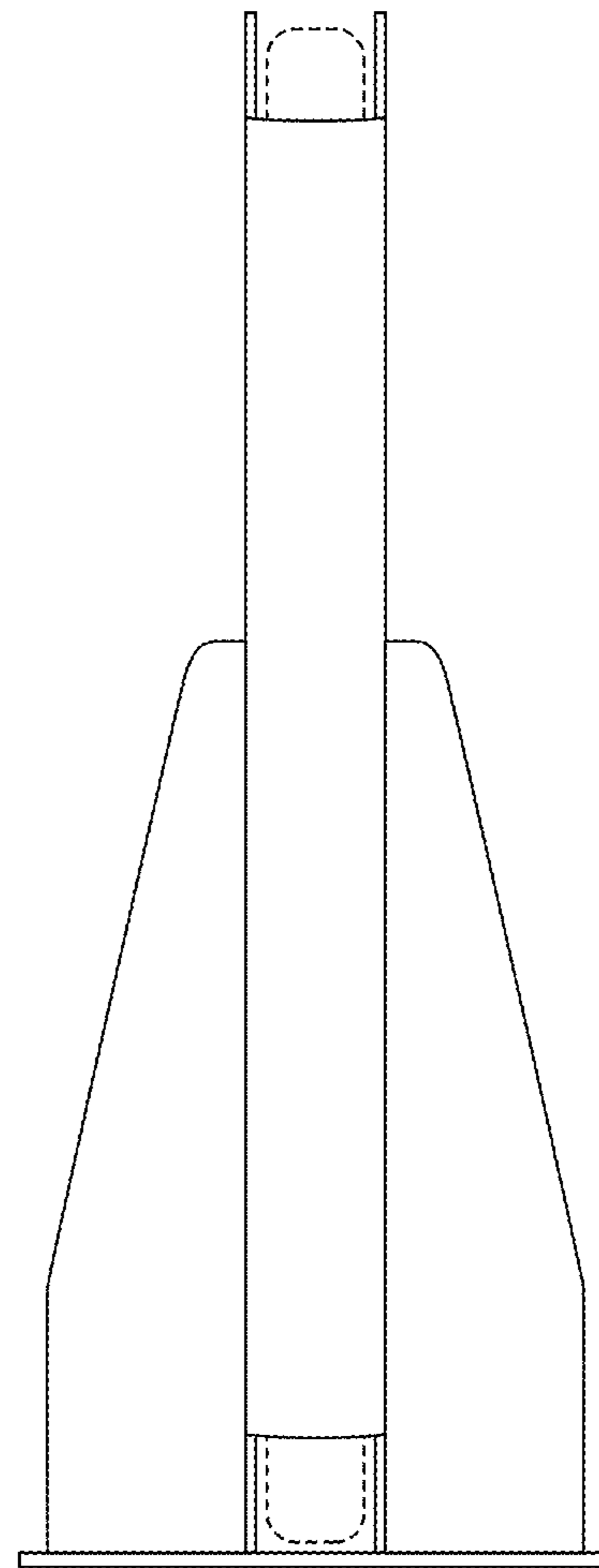


Fig. 6

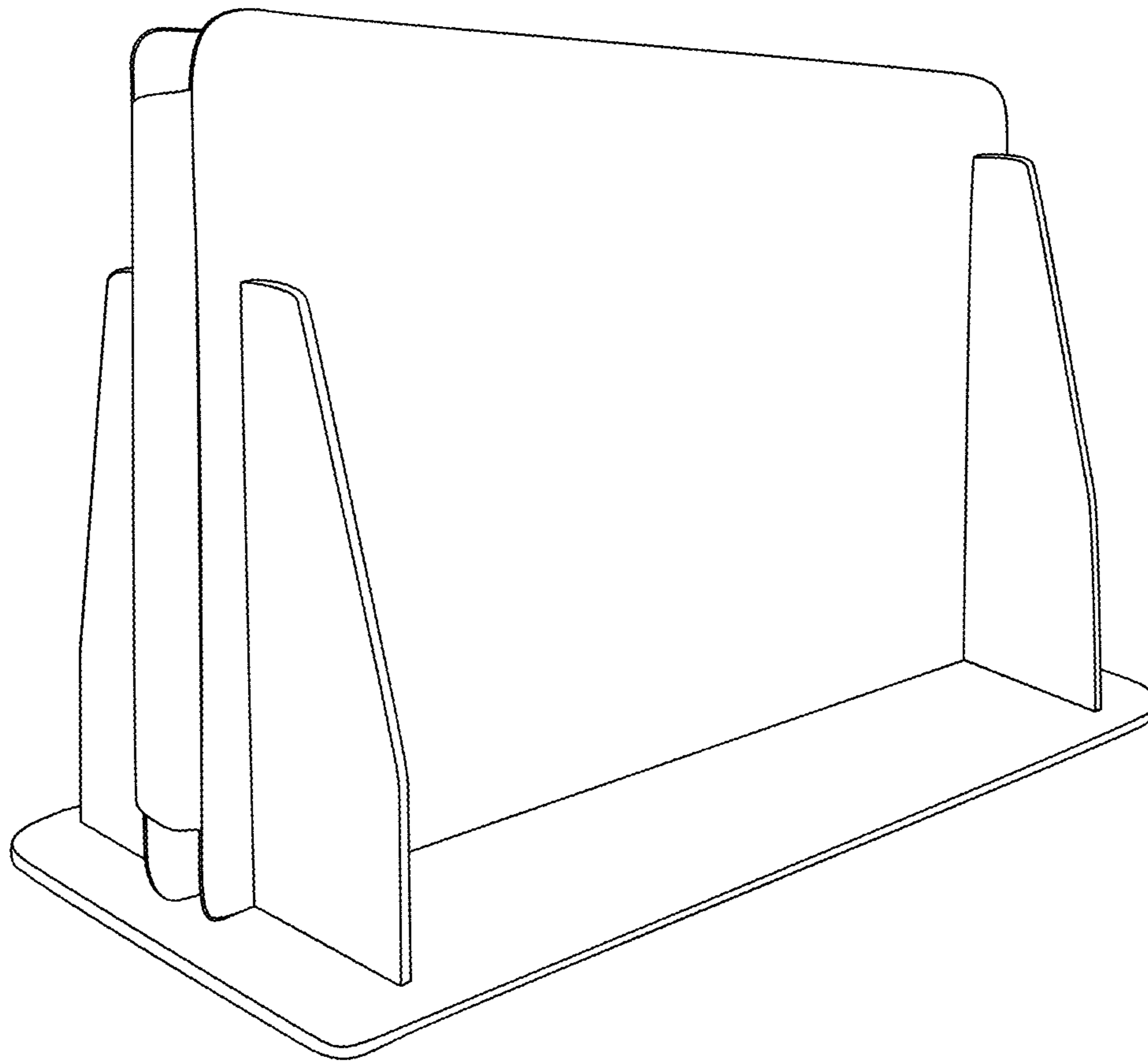


Fig. 7

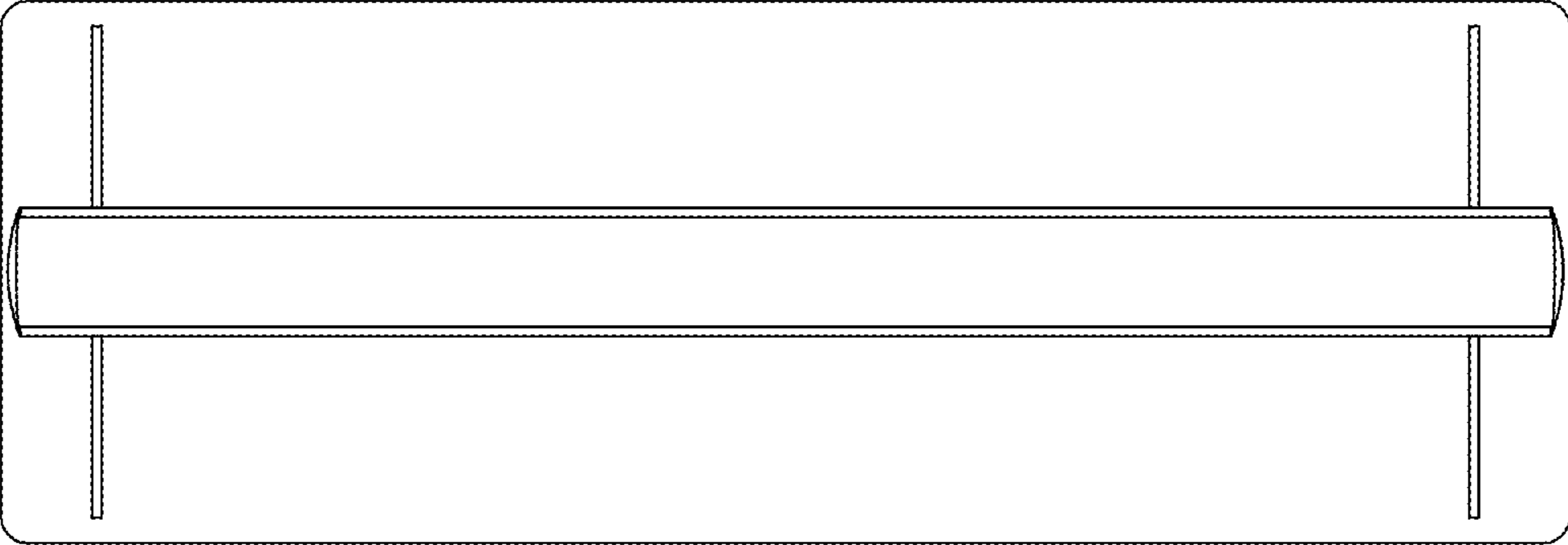


Fig. 8

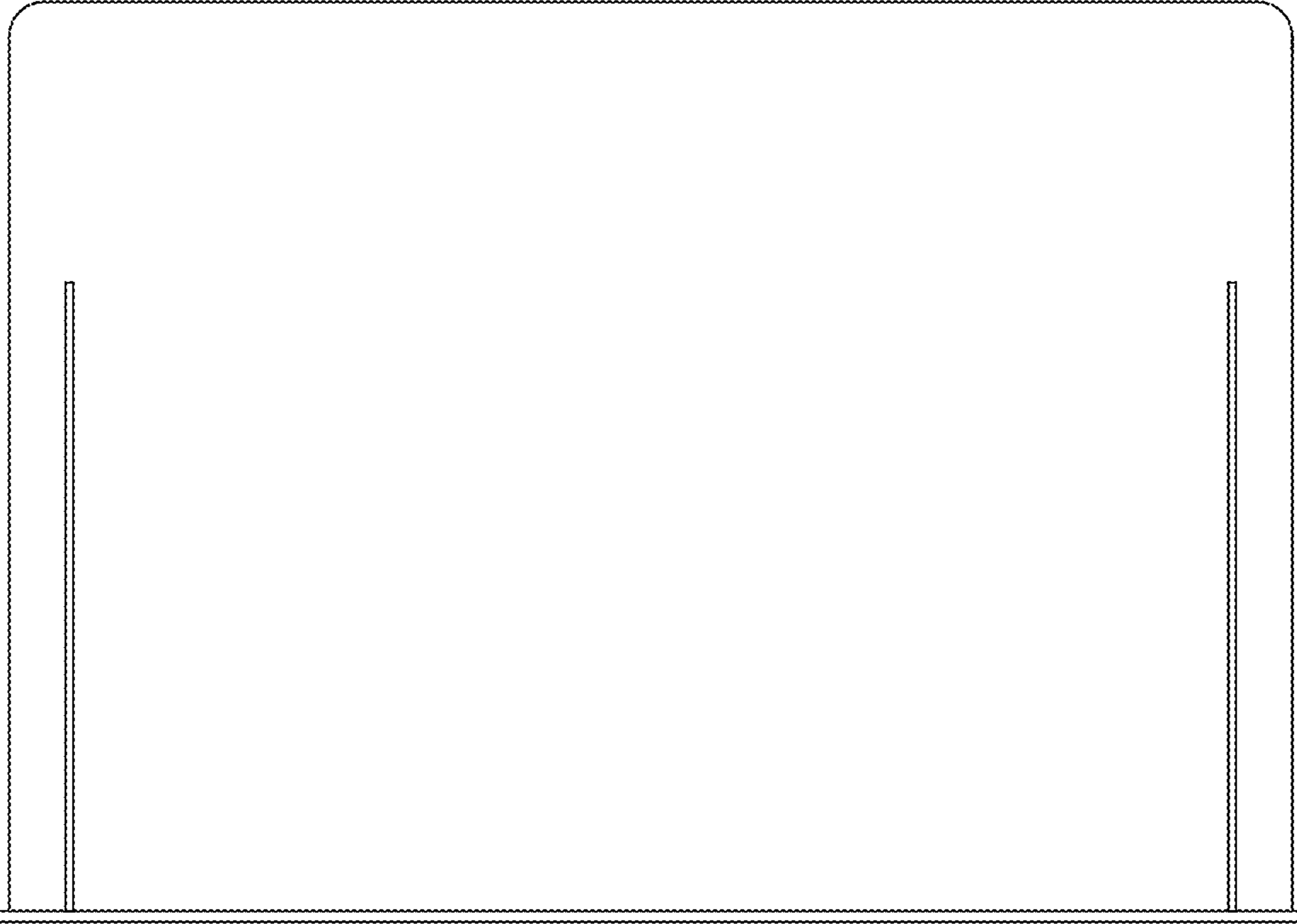


Fig. 9



Fig. 10

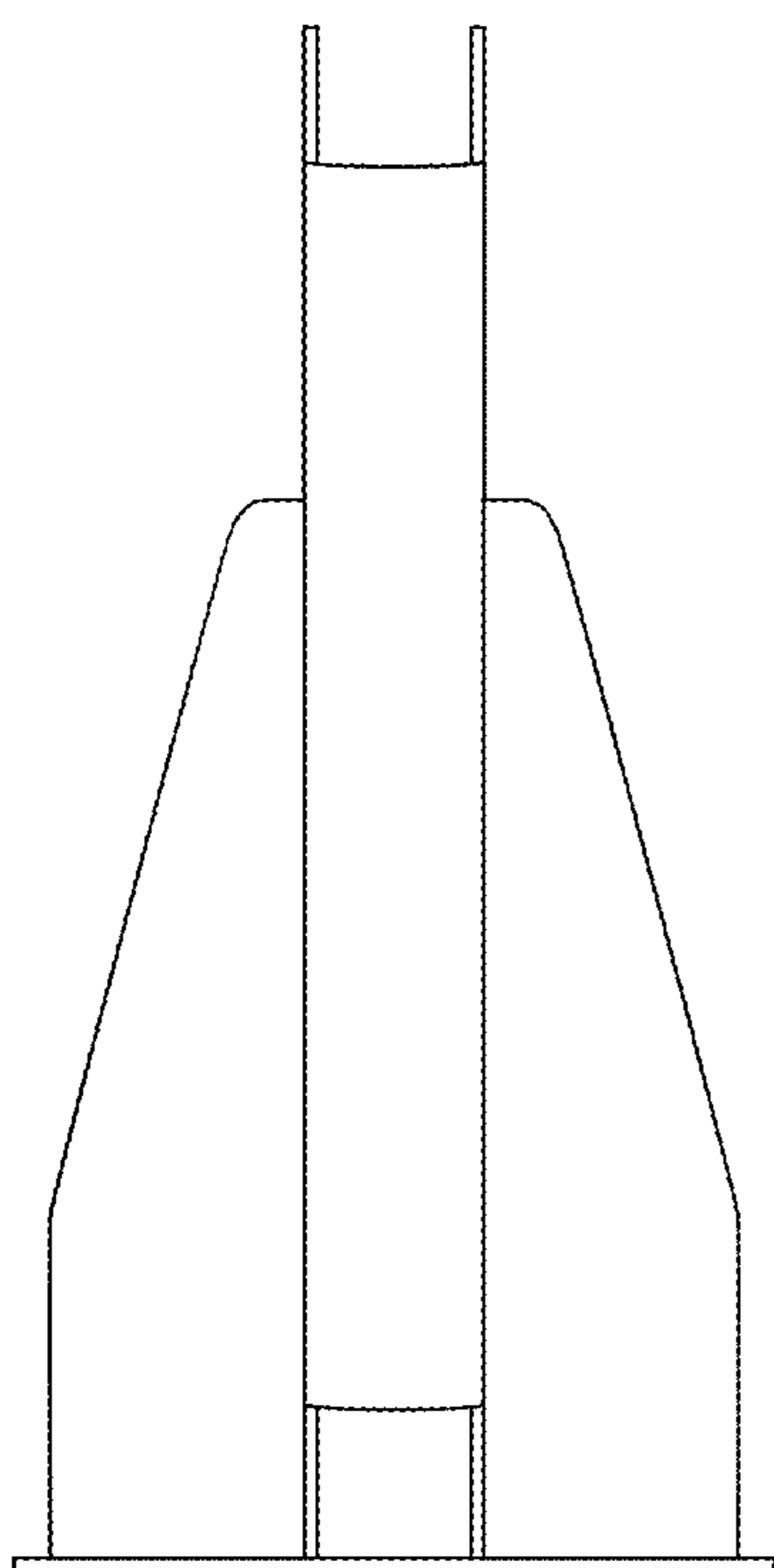


Fig. 11

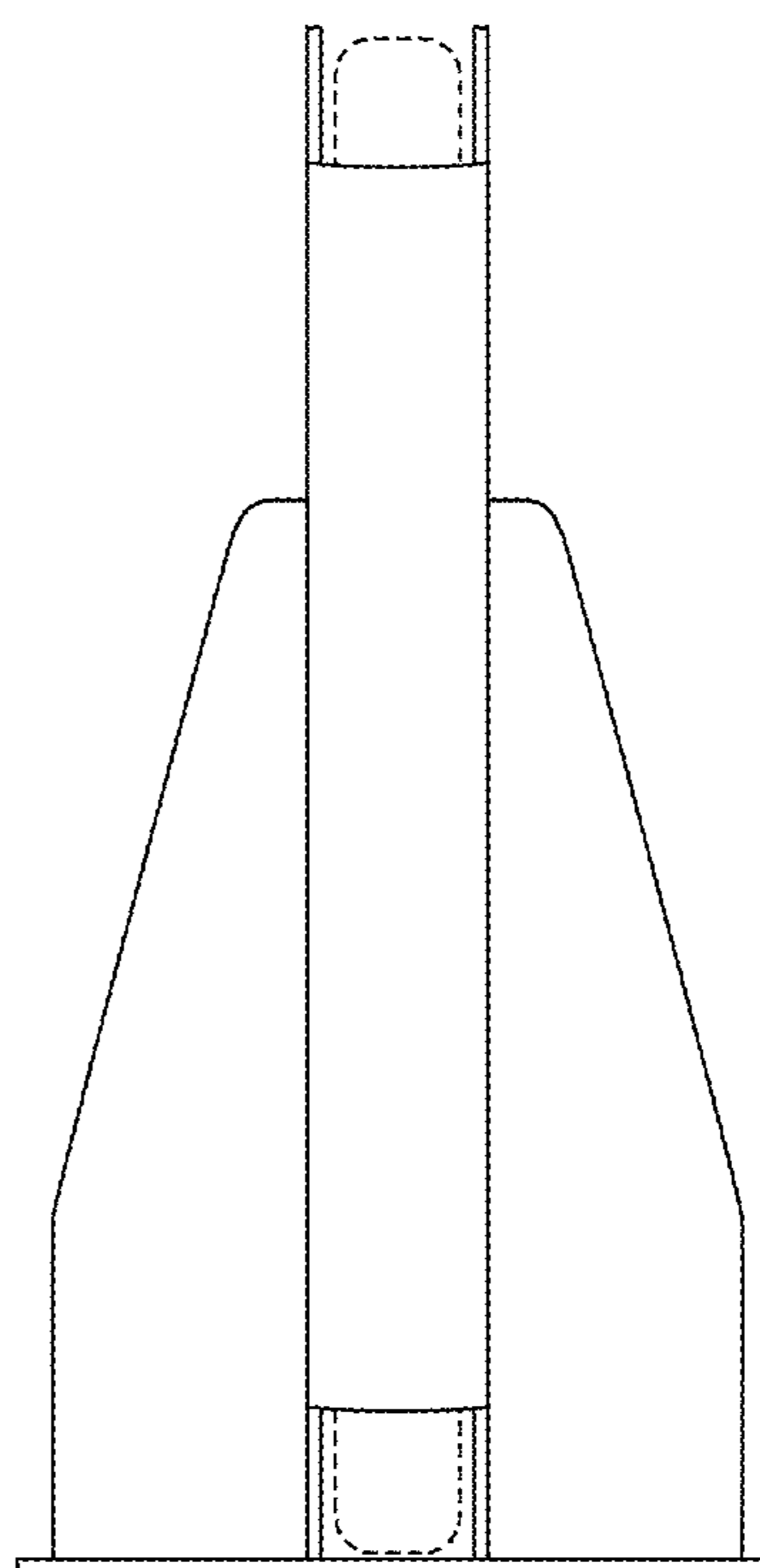


Fig. 12