



US00D921363S

(12) **United States Design Patent**
Mayer

(10) **Patent No.:** **US D921,363 S**
(45) **Date of Patent:** **** Jun. 8, 2021**

(54) **BASKET**

DESCRIPTION

(71) Applicant: **Simone Mayer**, Miami, FL (US)
(72) Inventor: **Simone Mayer**, Miami, FL (US)
(**) Term: **15 Years**
(21) Appl. No.: **29/666,019**
(22) Filed: **Oct. 9, 2018**
(51) **LOC (13) Cl.** **03-01**
(52) **U.S. Cl.**
USPC **D3/304**
(58) **Field of Classification Search**
USPC D3/304, 314, 315; D7/601-602
CPC . A45C 11/00; B65D 1/00; B65D 1/22; B65D
1/38; B65D 11/02; B65D 11/20
See application file for complete search history.

(56) **References Cited**

U.S. PATENT DOCUMENTS

D323,296 S *	1/1992	Schoenthaler	D3/307
D555,904 S *	11/2007	Snell	D3/304
D775,833 S *	1/2017	Wimberly	D3/318
D795,583 S *	8/2017	Diehl	D3/307
D811,213 S *	2/2018	Pickard	D9/425
D897,681 S *	10/2020	Wang	D3/304
2015/0136719 A1 *	5/2015	Bally	A61B 50/33 211/126.1

* cited by examiner

Primary Examiner — Kelley A Donnelly

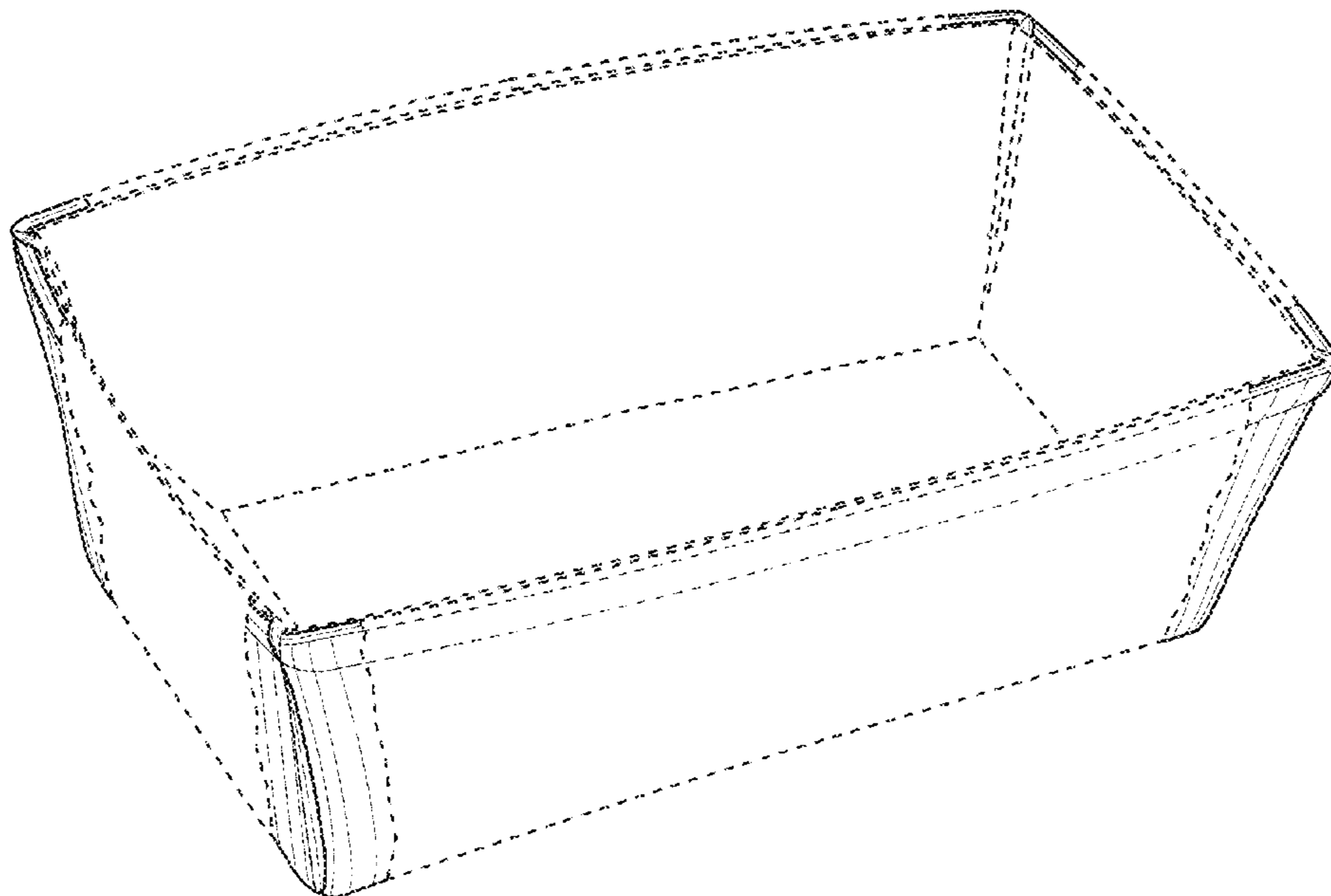
(74) *Attorney, Agent, or Firm* — Fross Zelnick Lehrman & Zissu, P.C.; Lawrence E. Apolzon, Esq.

(57) **CLAIM**

The ornamental design for a basket, as shown and described.

FIG. 1 is a front perspective view of a basket showing my new design;
FIG. 2 is a front view thereof;
FIG. 3 is a back view thereof;
FIG. 4 is a right side view thereof;
FIG. 5 is a left side view thereof;
FIG. 6 is a top view thereof;
FIG. 7 is a bottom view thereof;
FIG. 8 is the embodiment of FIG. 1 showing a horizontal break indicating varying vertical heights;
FIG. 9 is a front view thereof;
FIG. 10 is a back view thereof;
FIG. 11 is a right side view thereof;
FIG. 12 is a left side view thereof;
FIG. 13 is a top view thereof;
FIG. 14 is a bottom view thereof;
FIG. 15 is a front perspective view of an alternative embodiment of the basket showing my new design;
FIG. 16 is a front view thereof;
FIG. 17 is a back view thereof;
FIG. 18 is a right side view thereof;
FIG. 19 is a left side view thereof;
FIG. 20 is a top view thereof;
FIG. 21 is a bottom view thereof;
FIG. 22 is a front perspective view of the basket of FIG. 15 showing a horizontal break indicating varying vertical heights;
FIG. 23 is a front view thereof;
FIG. 24 is a back view thereof;
FIG. 25 is a right side view thereof;
FIG. 26 is a left side view thereof;
FIG. 27 is a top view thereof; and,
FIG. 28 is a bottom view thereof.
The broken lines illustrate portions of the basket and form no part of the claimed design.

1 Claim, 16 Drawing Sheets



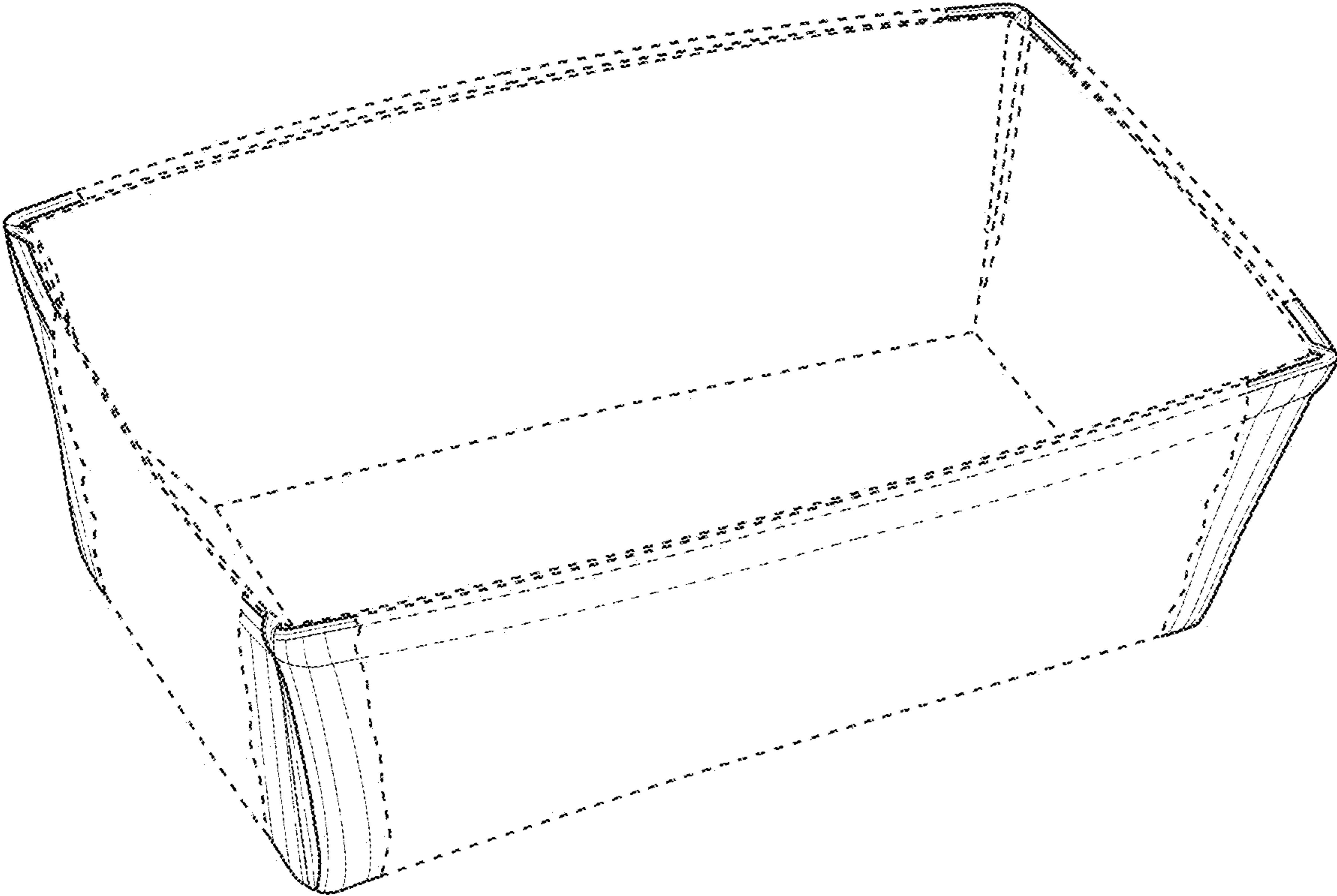


FIG. 1



FIG. 2

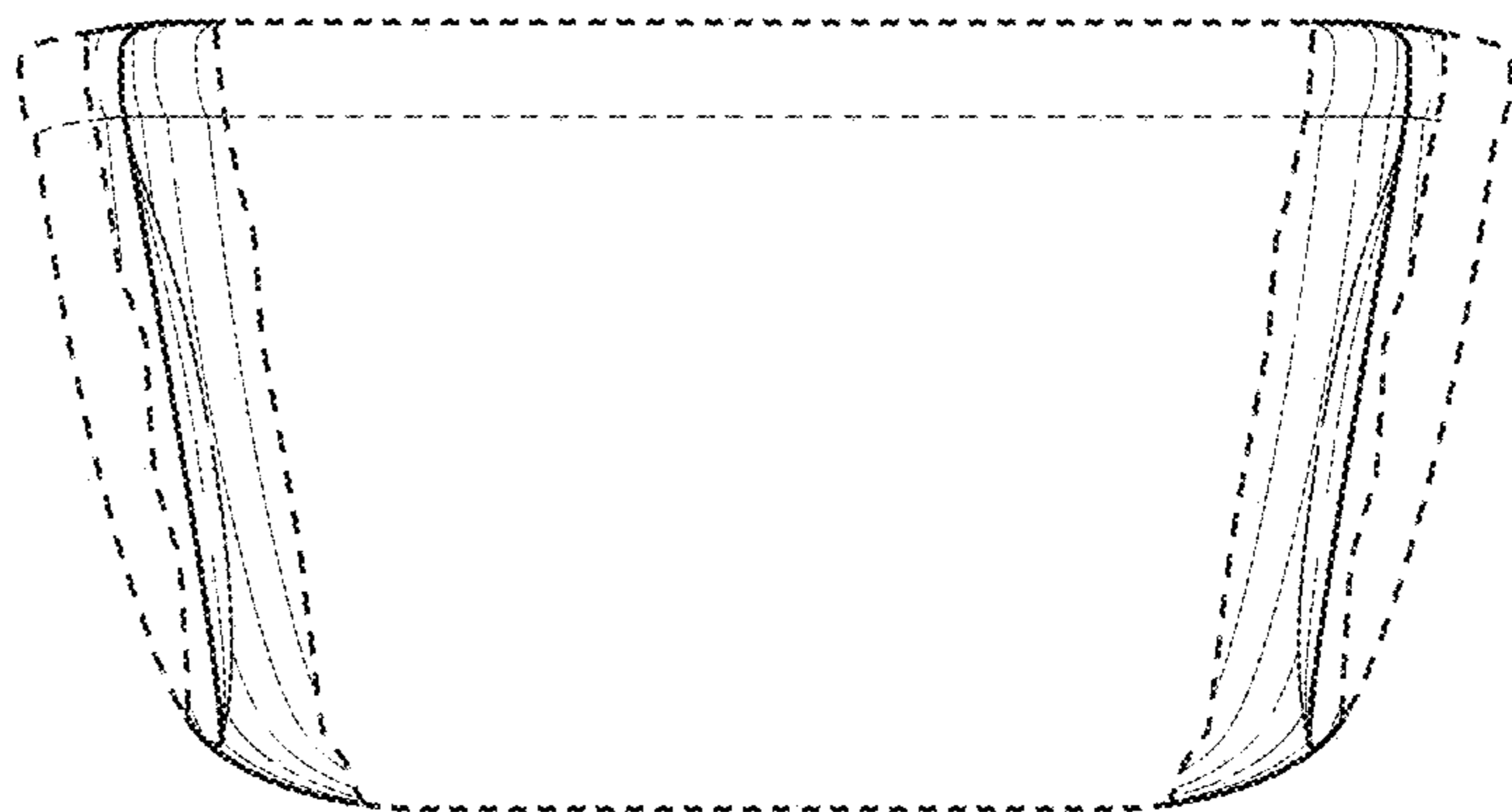


FIG. 3

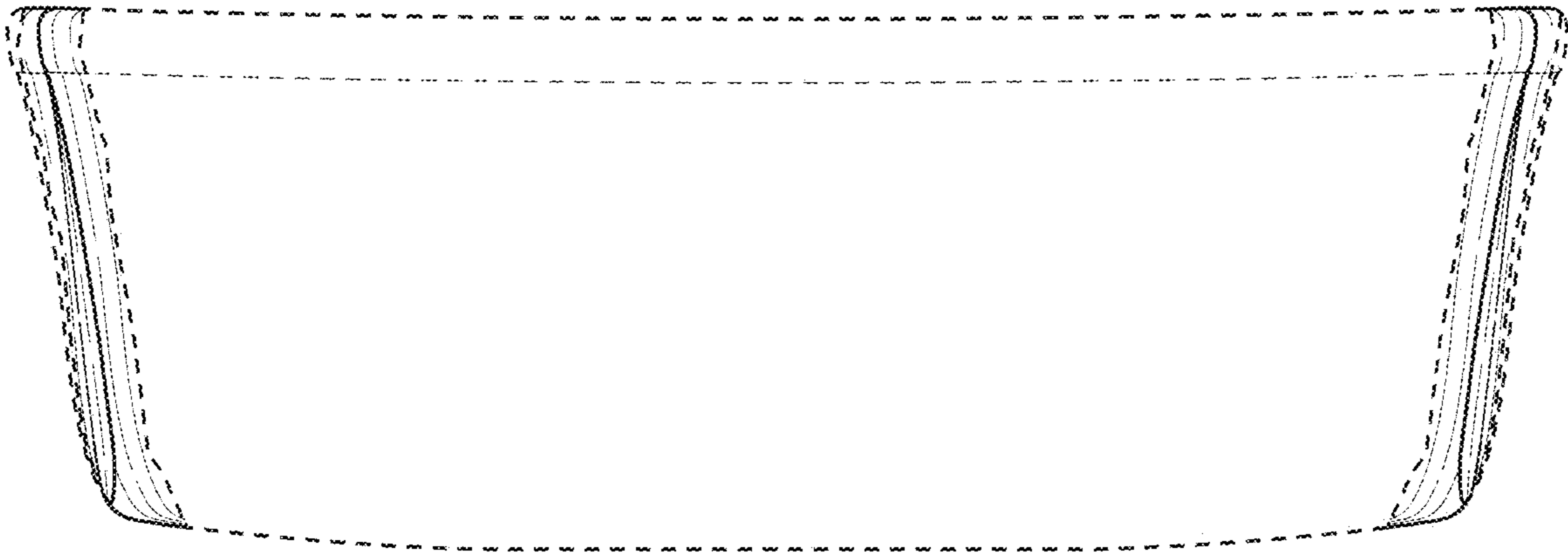


FIG. 4

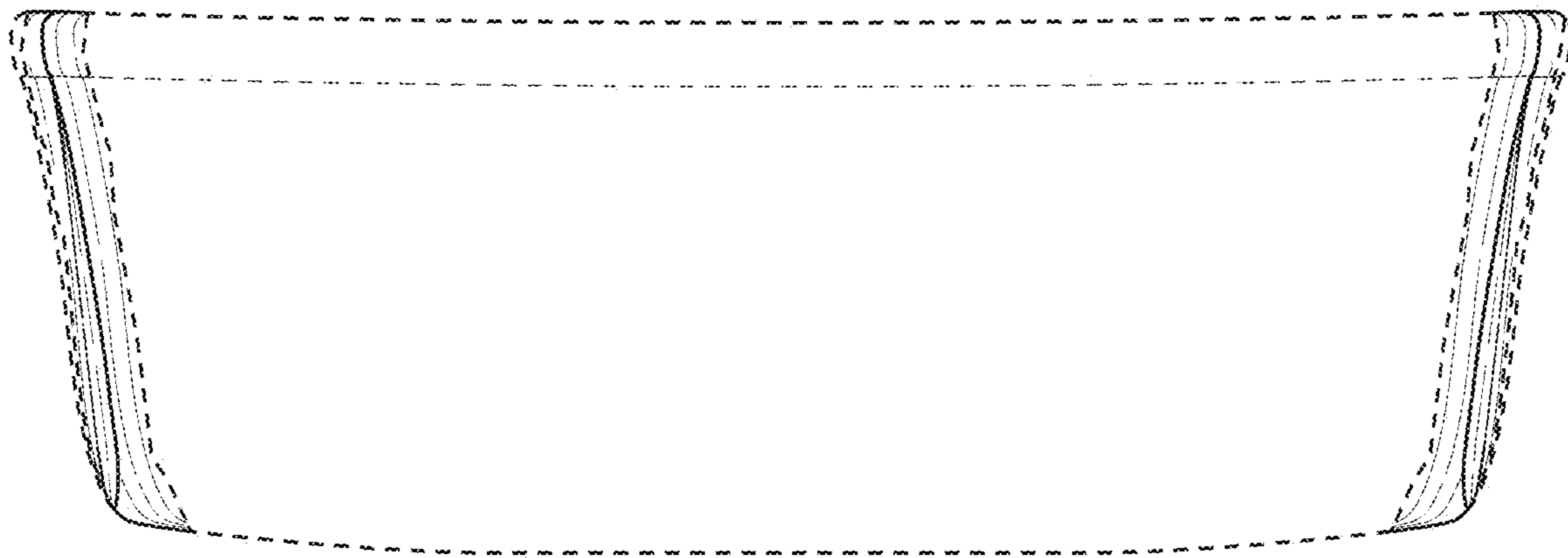


FIG. 5

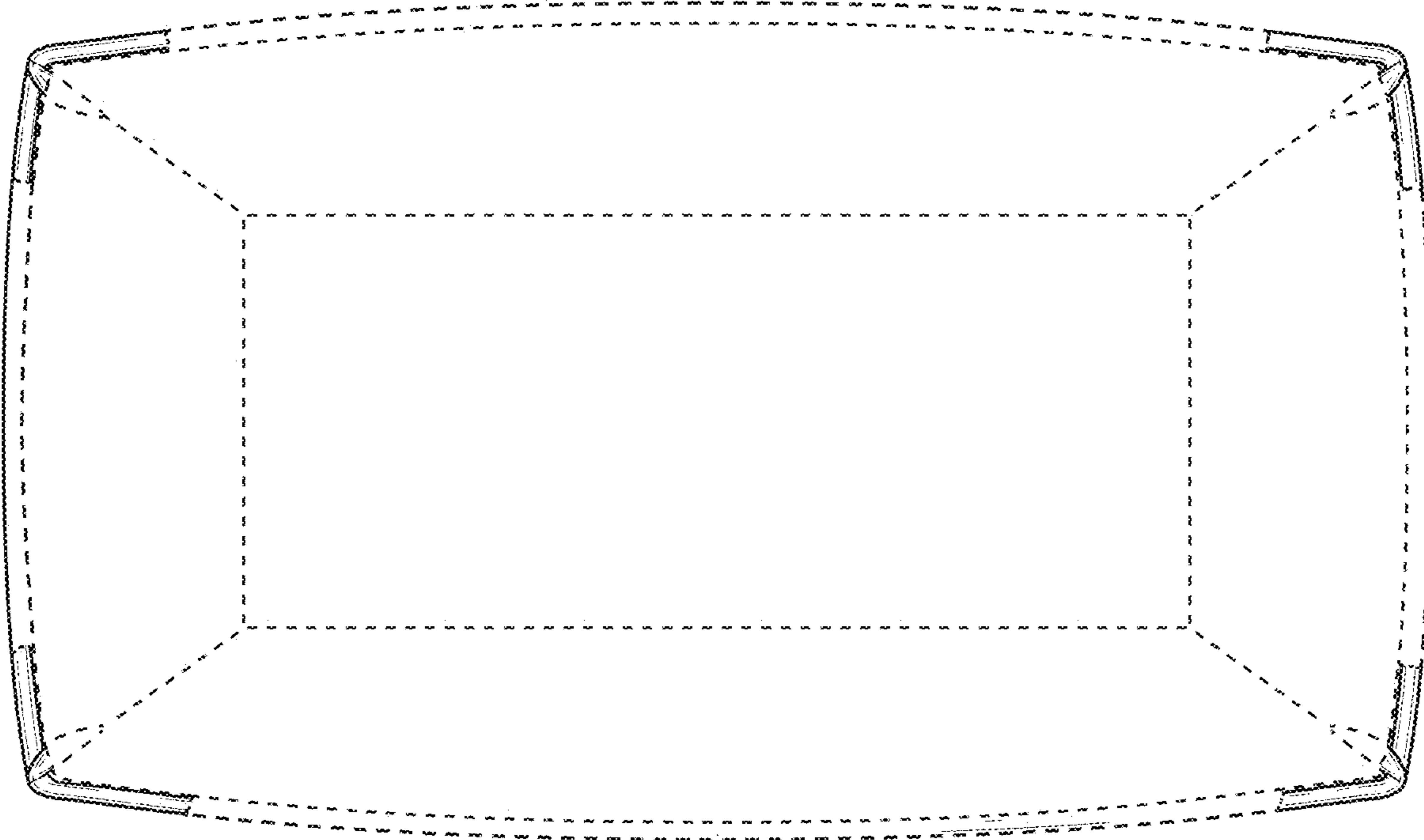


FIG. 6

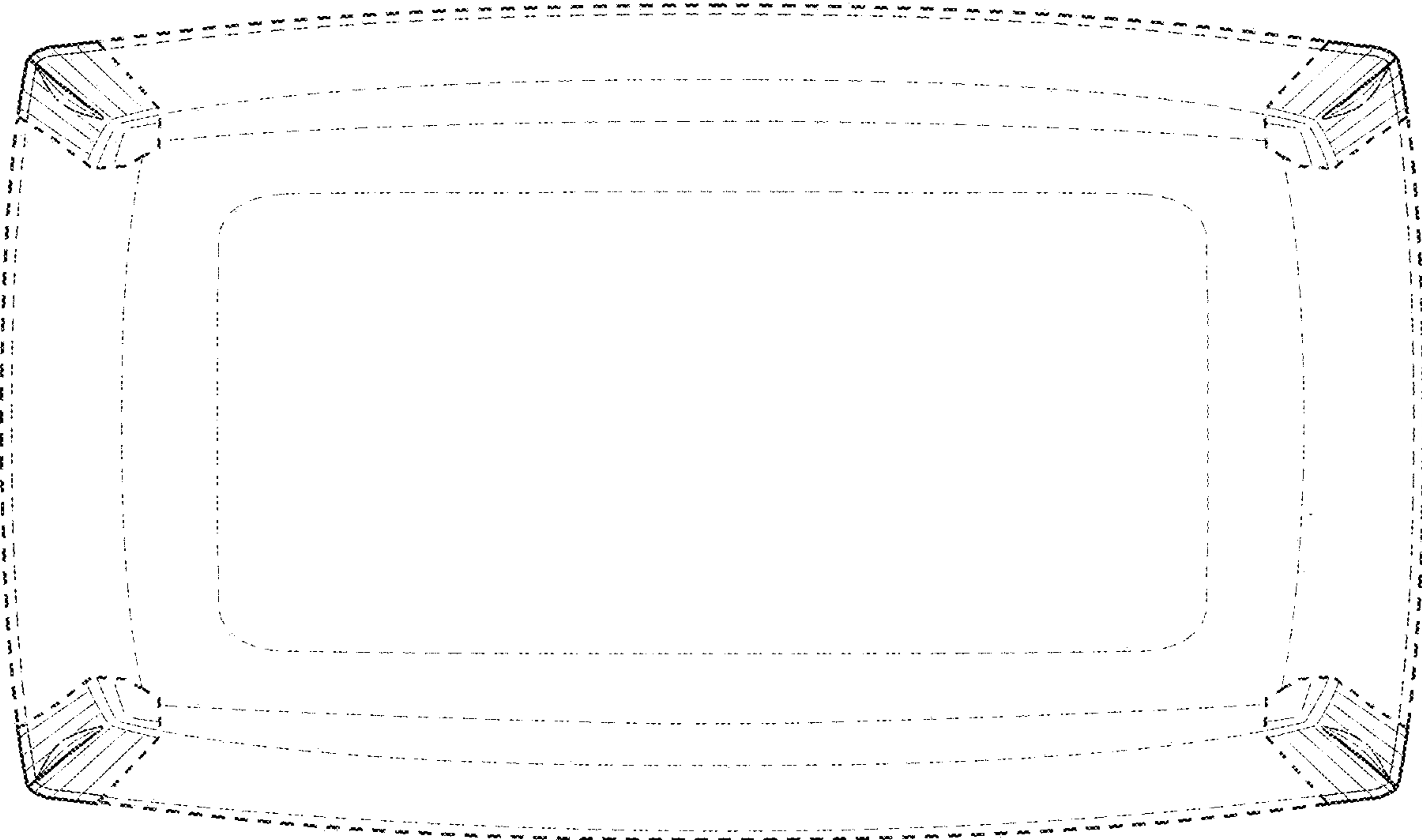


FIG. 7

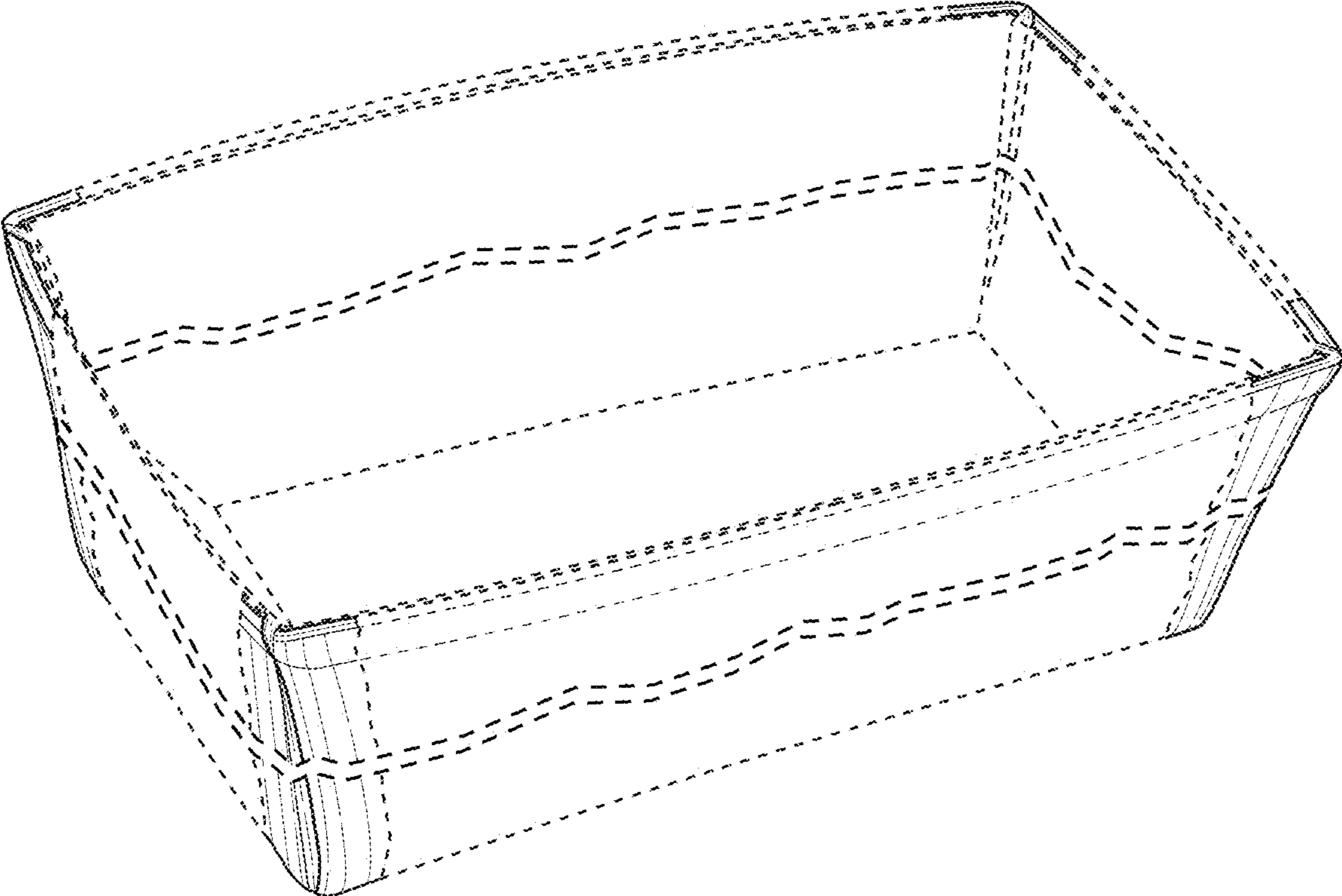


FIG. 8

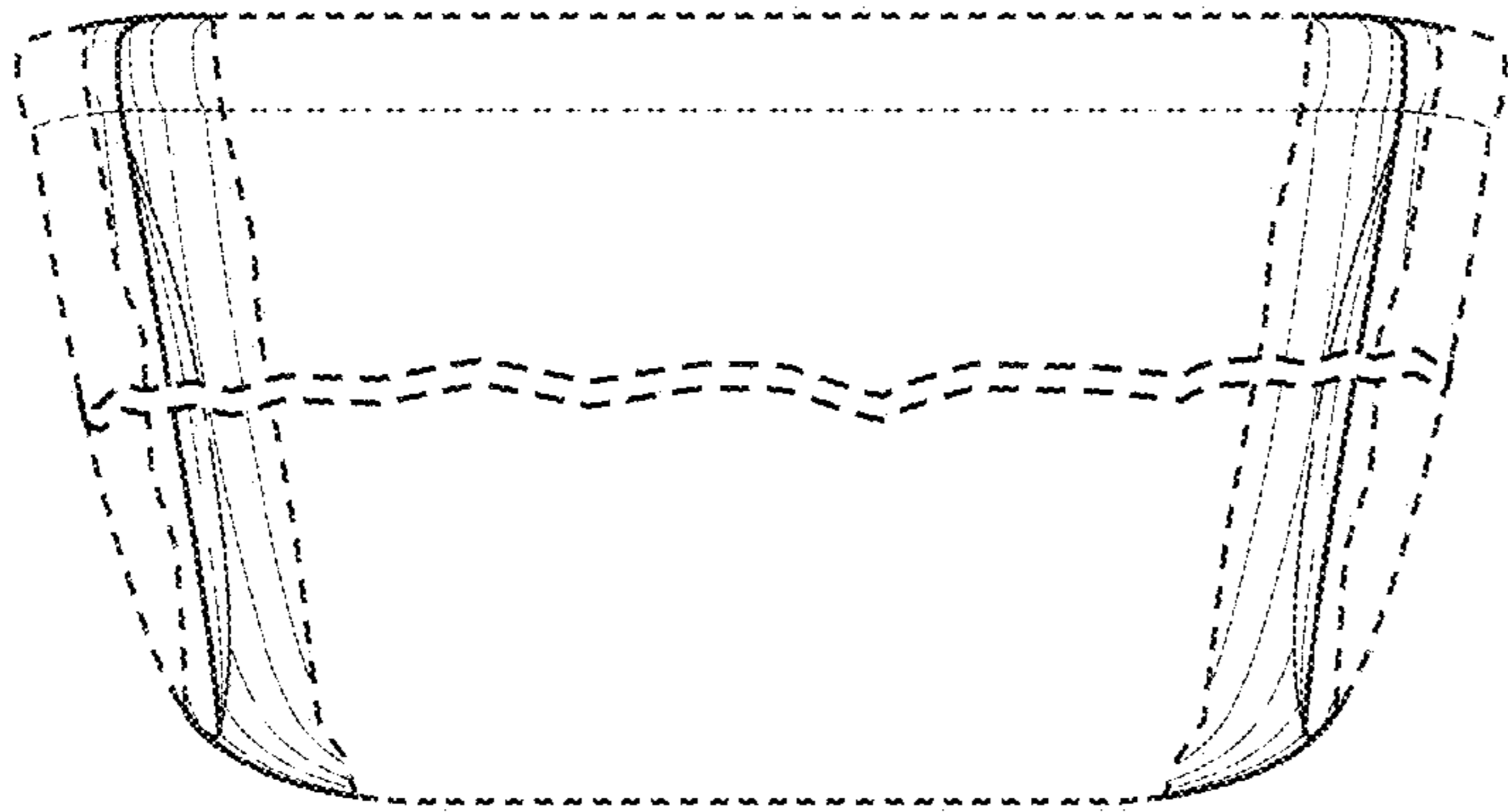


FIG. 9

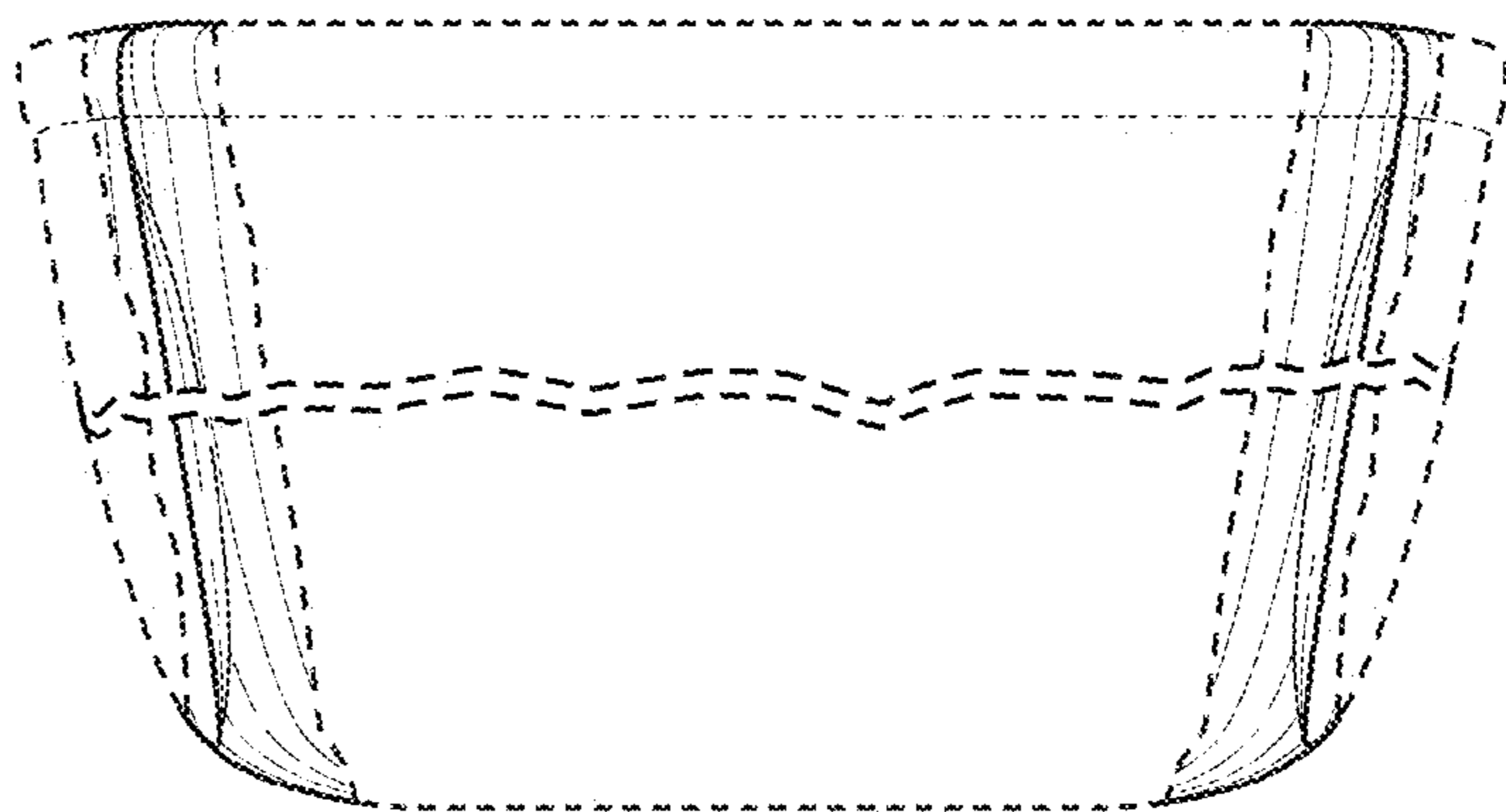


FIG. 10

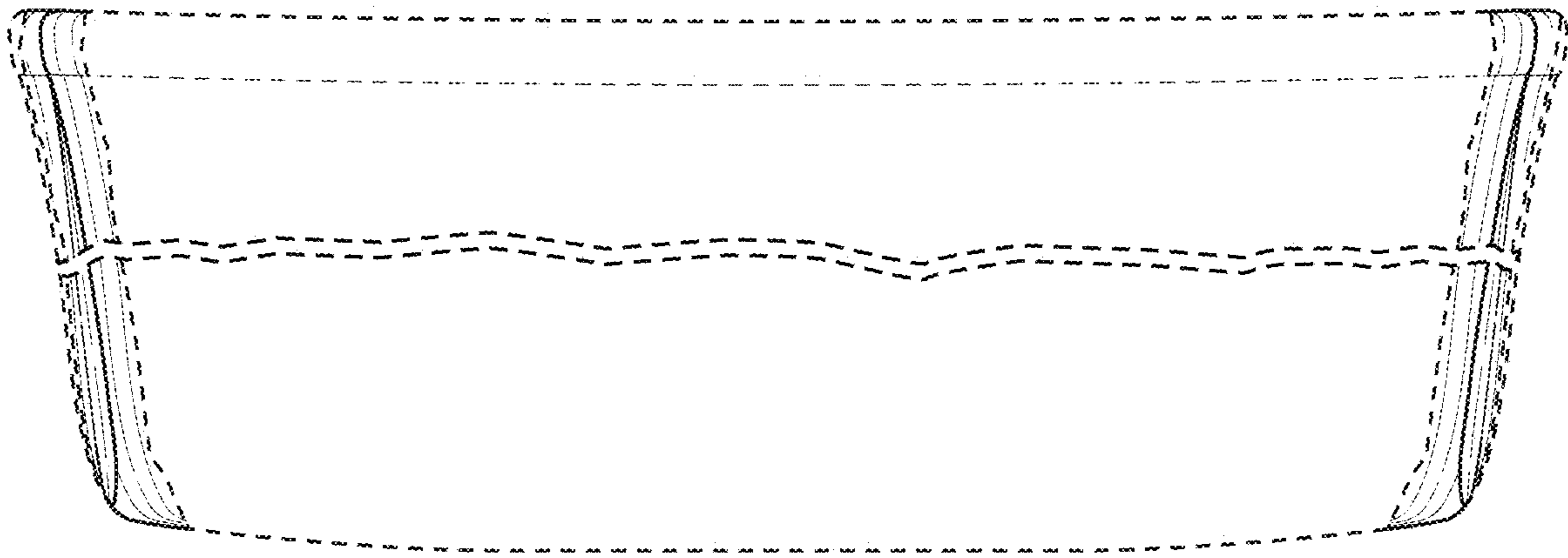


FIG. 11

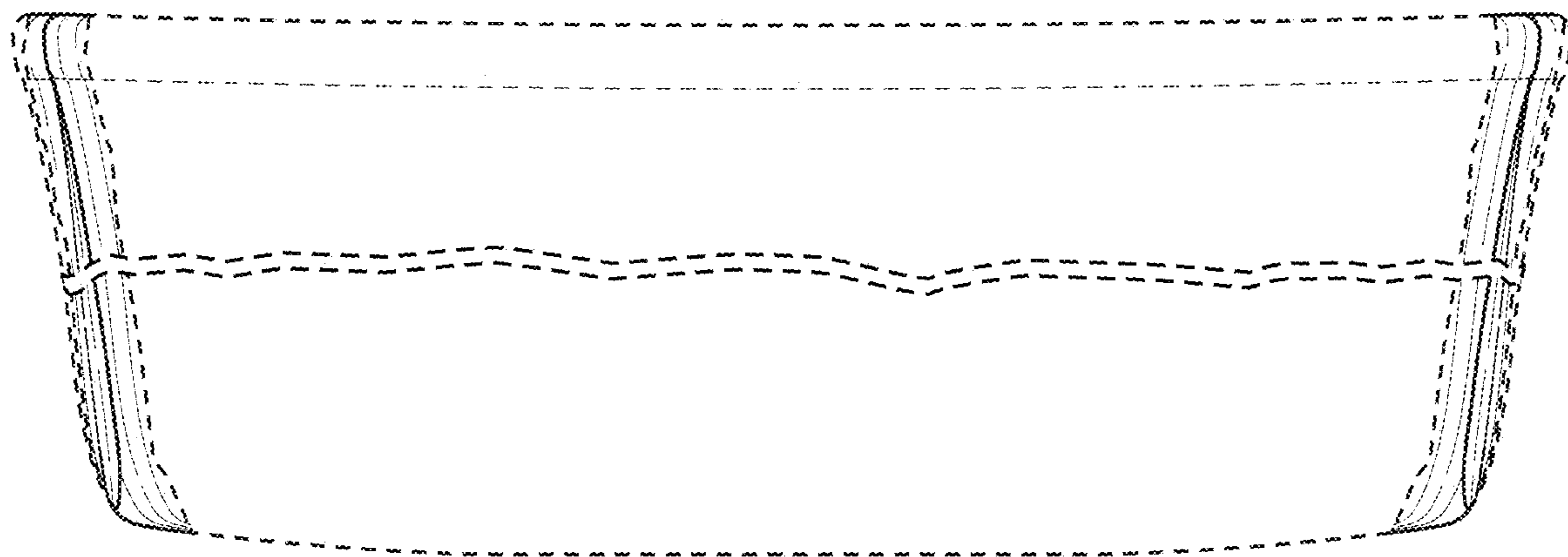


FIG. 12

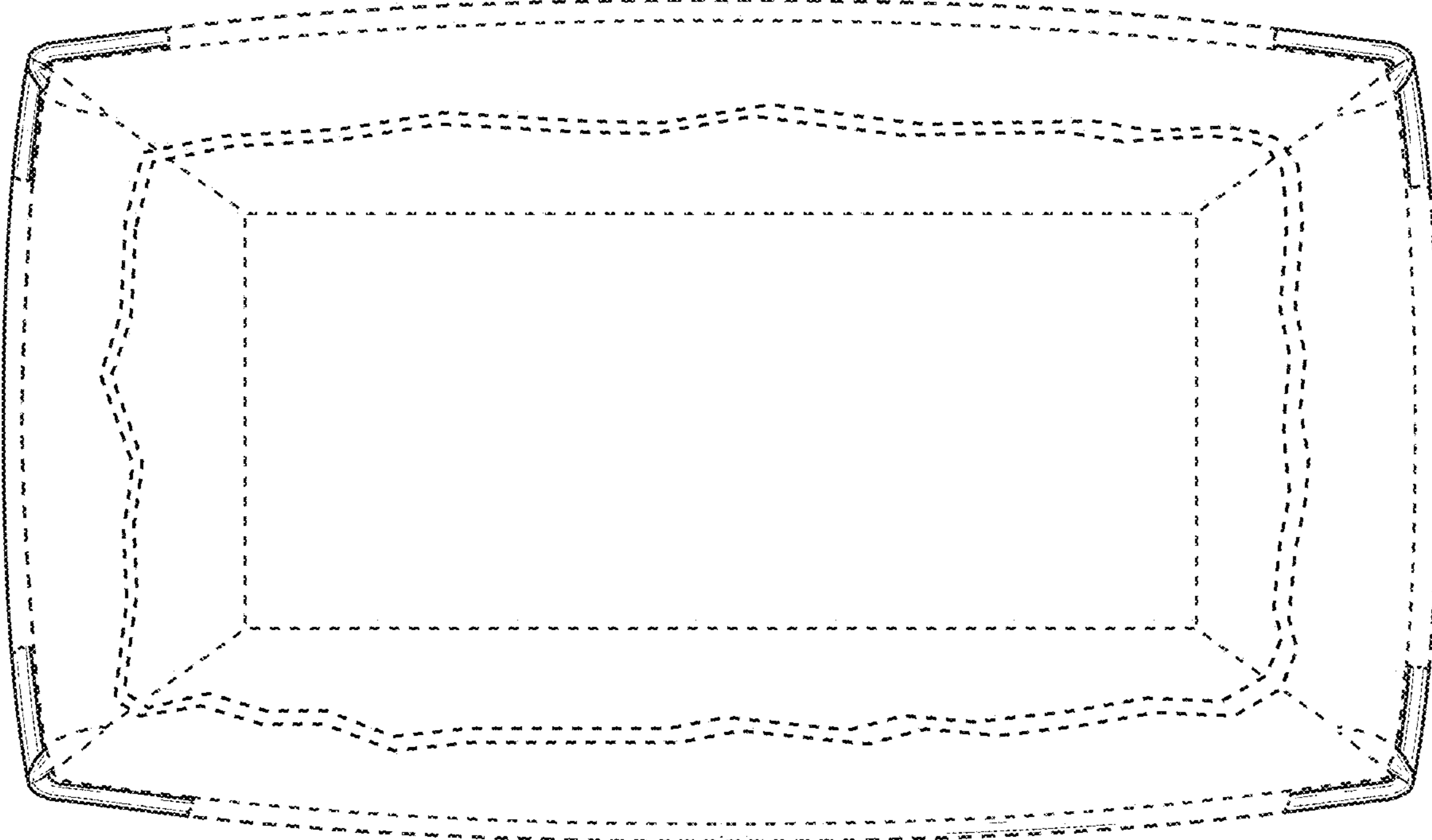


FIG. 13

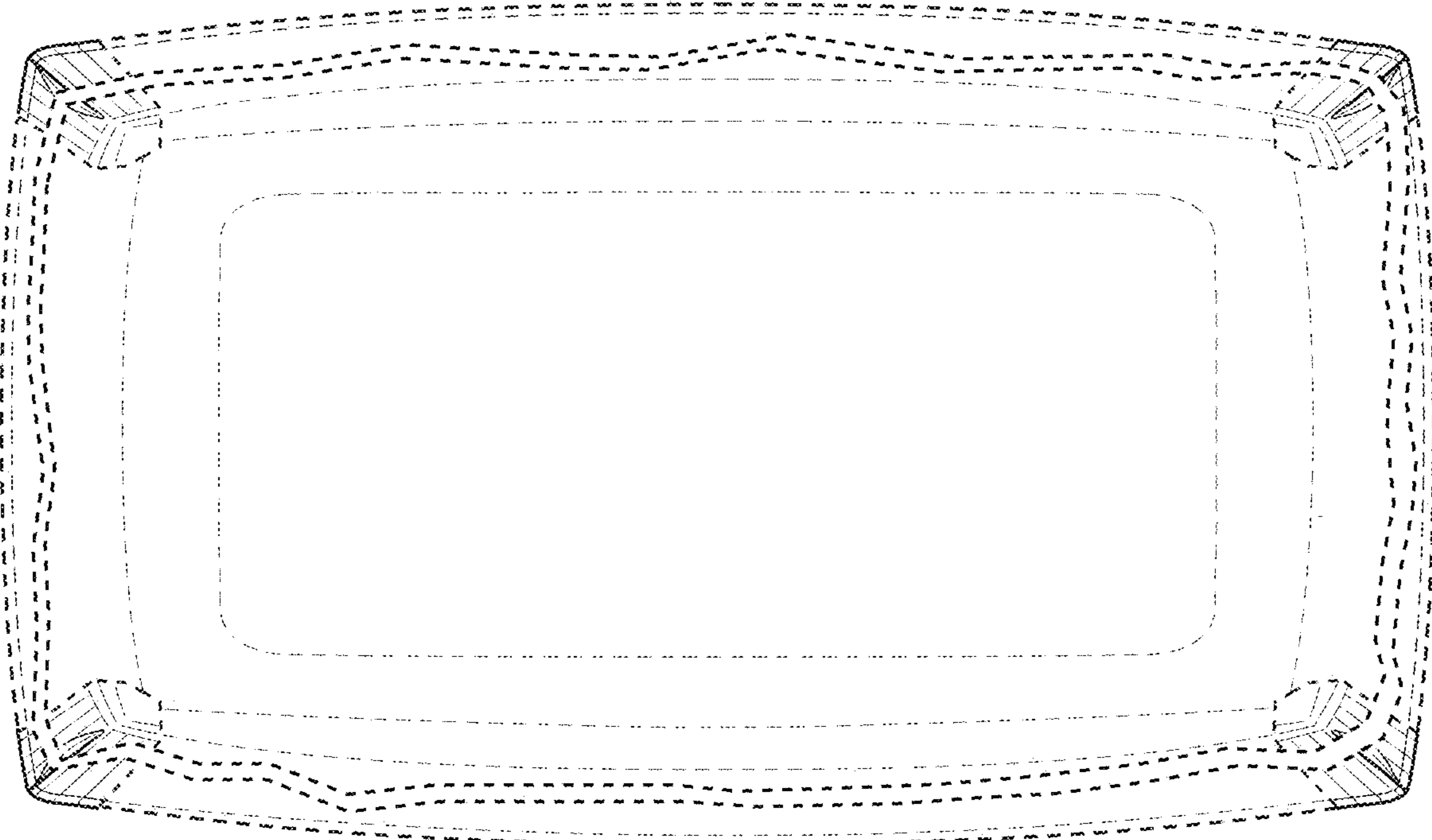


FIG. 14

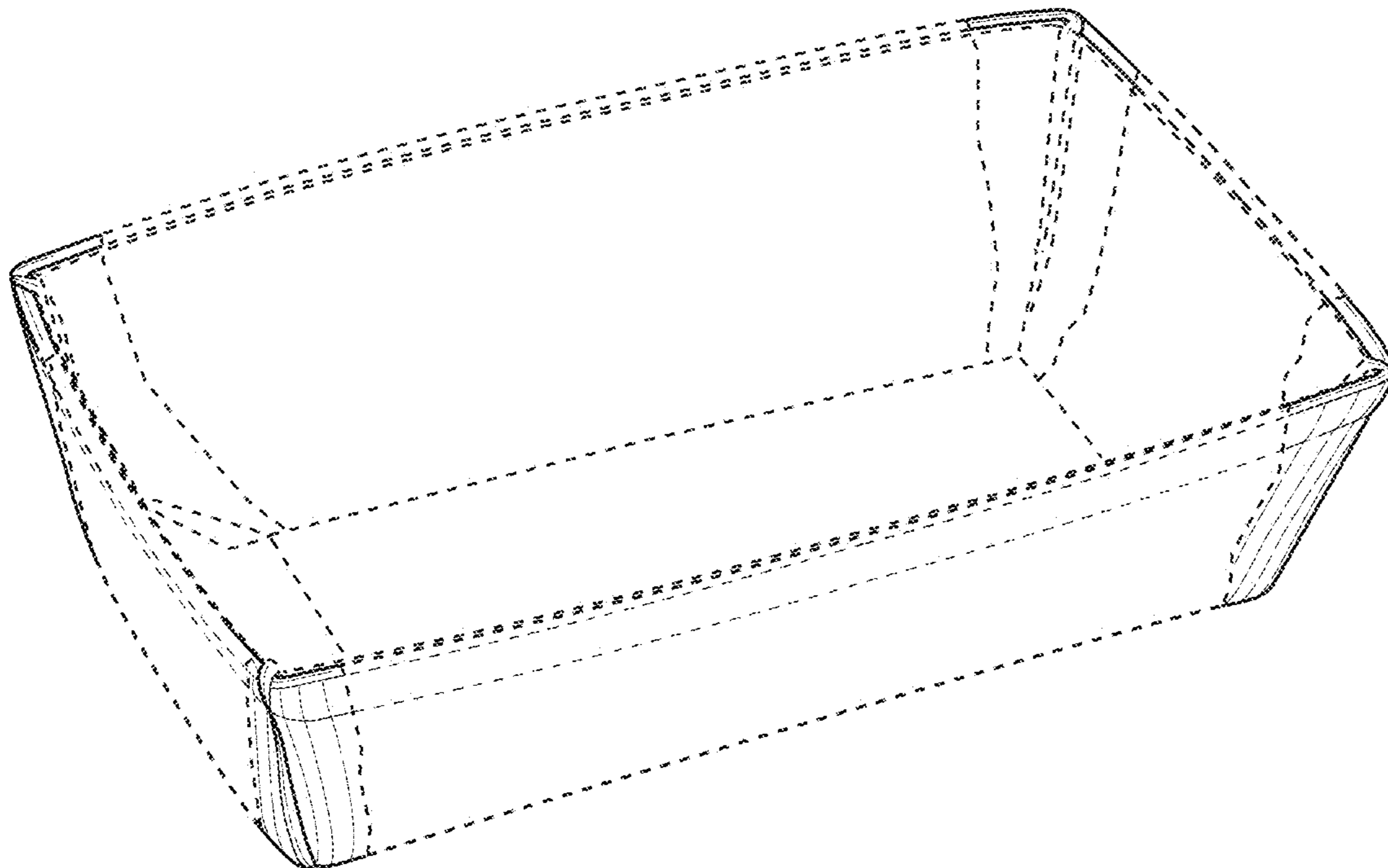


FIG. 15

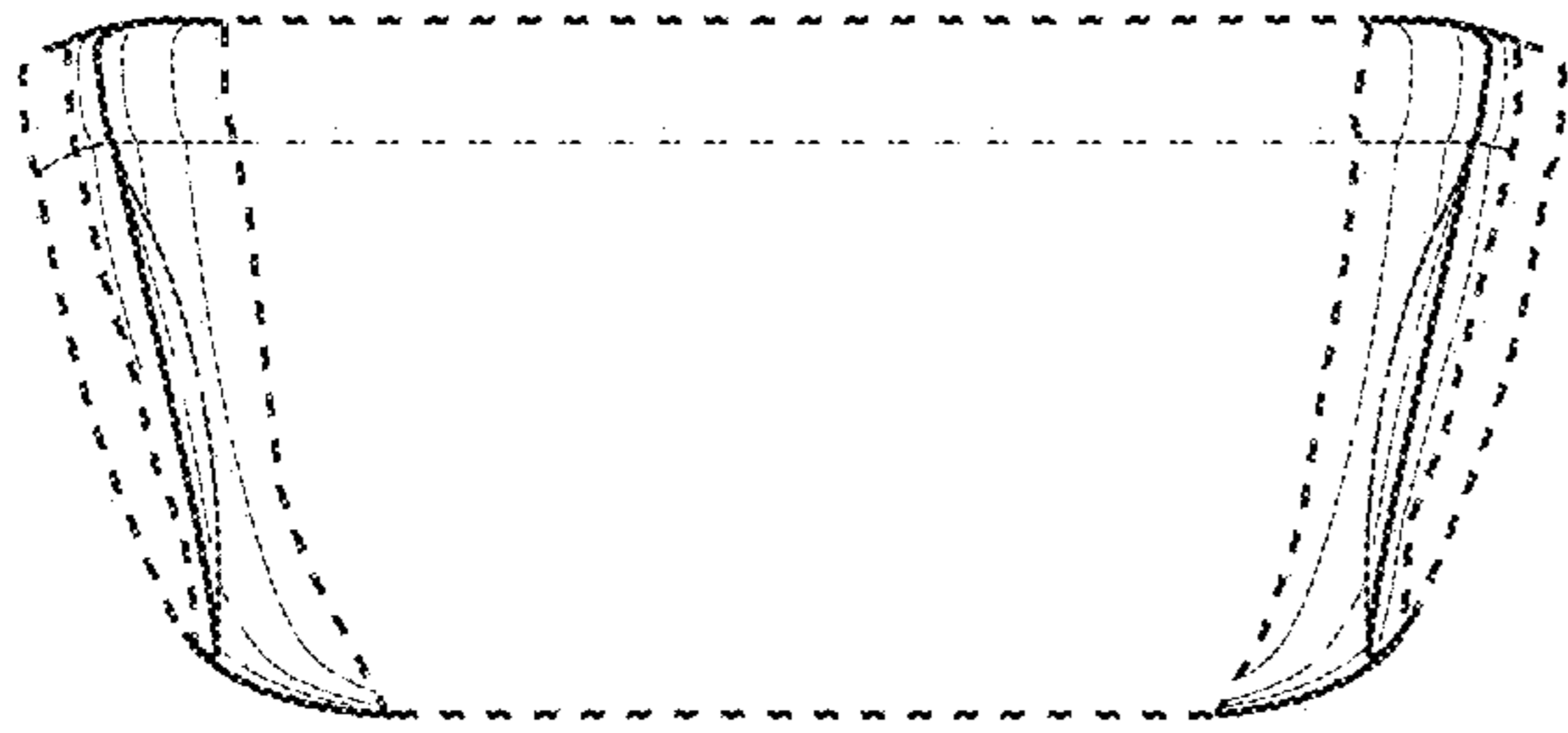


FIG. 16

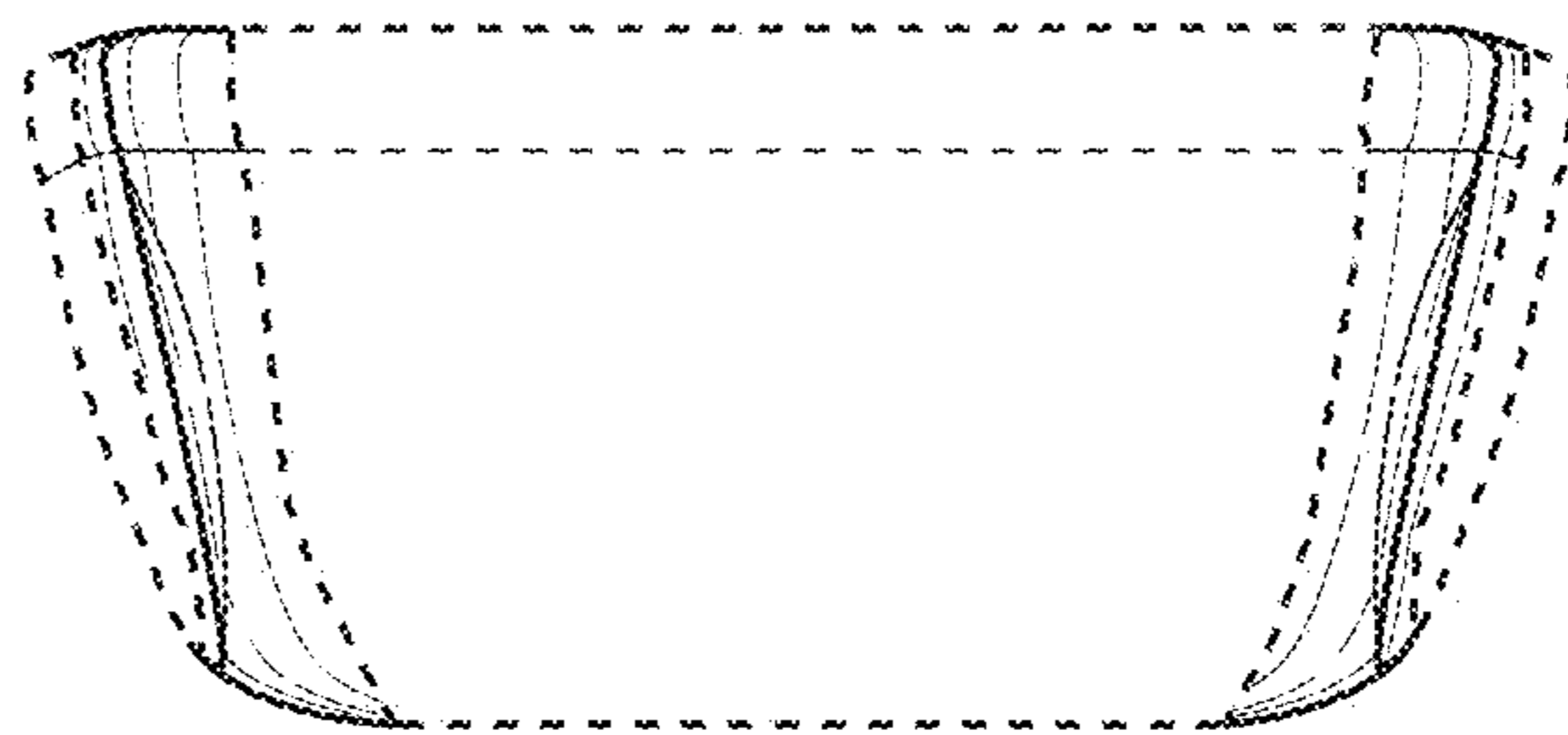


FIG. 17



FIG. 18

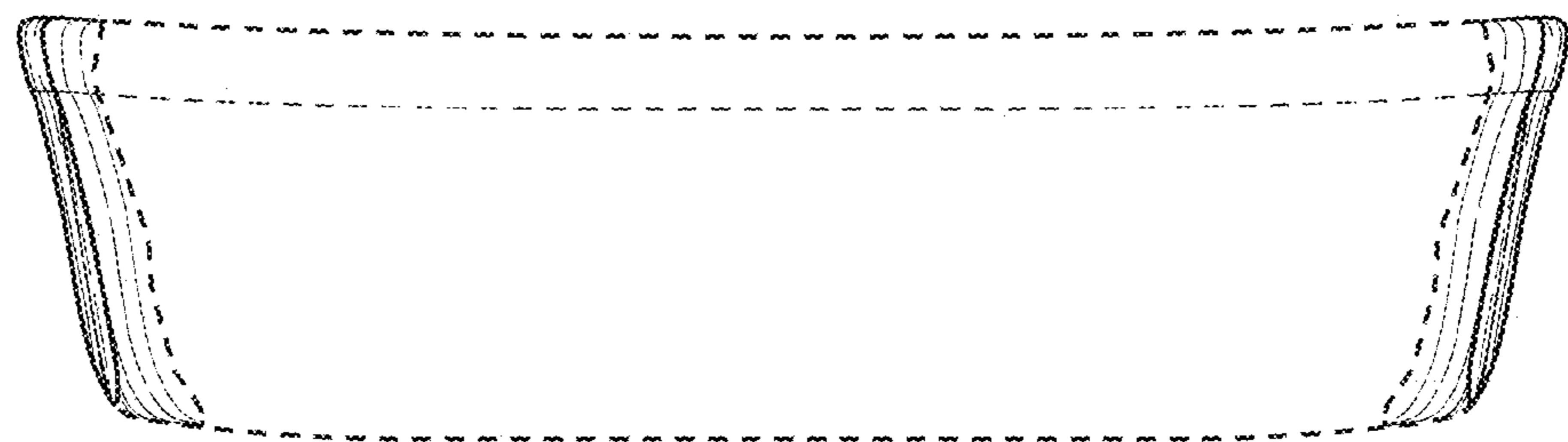


FIG. 19

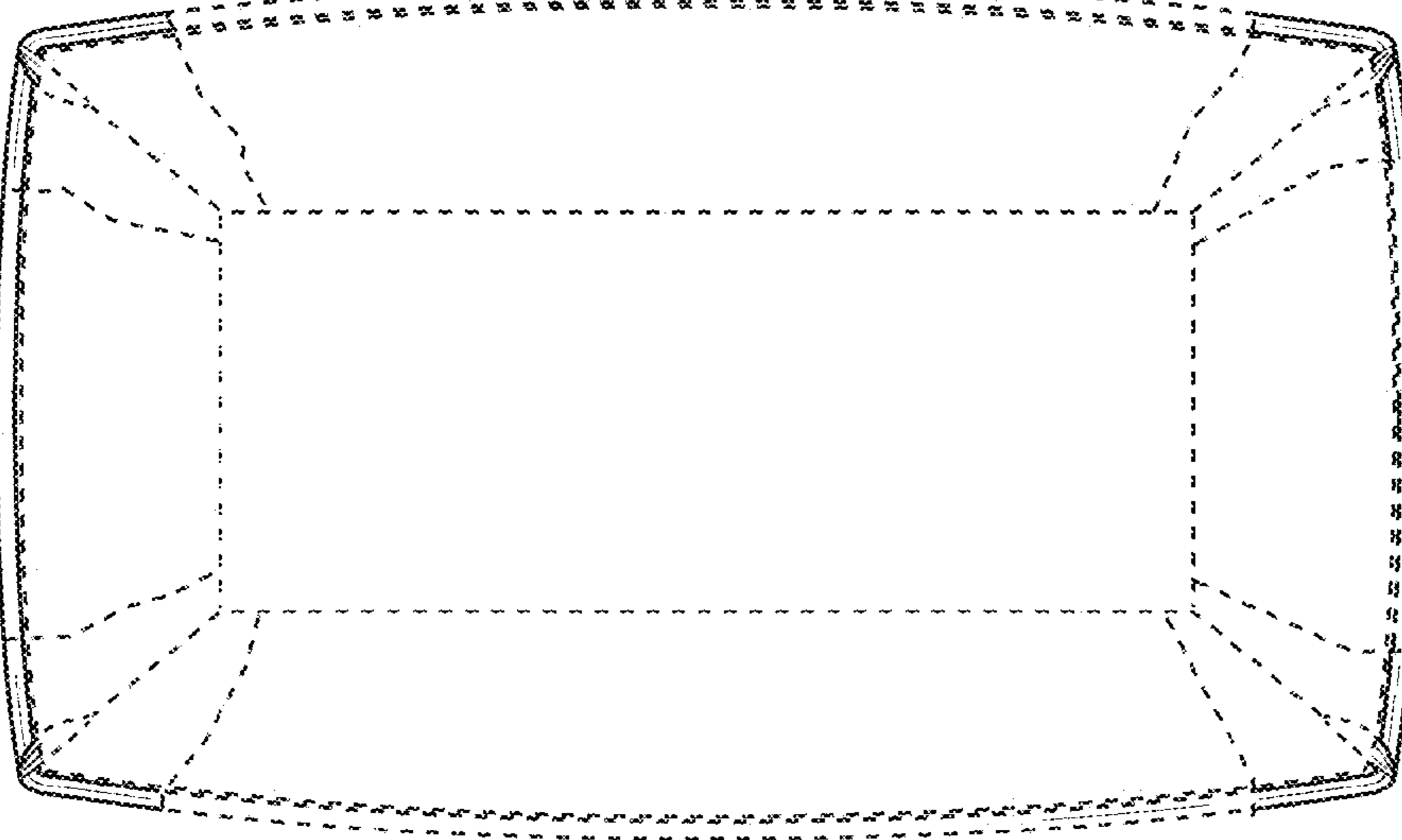


FIG. 20

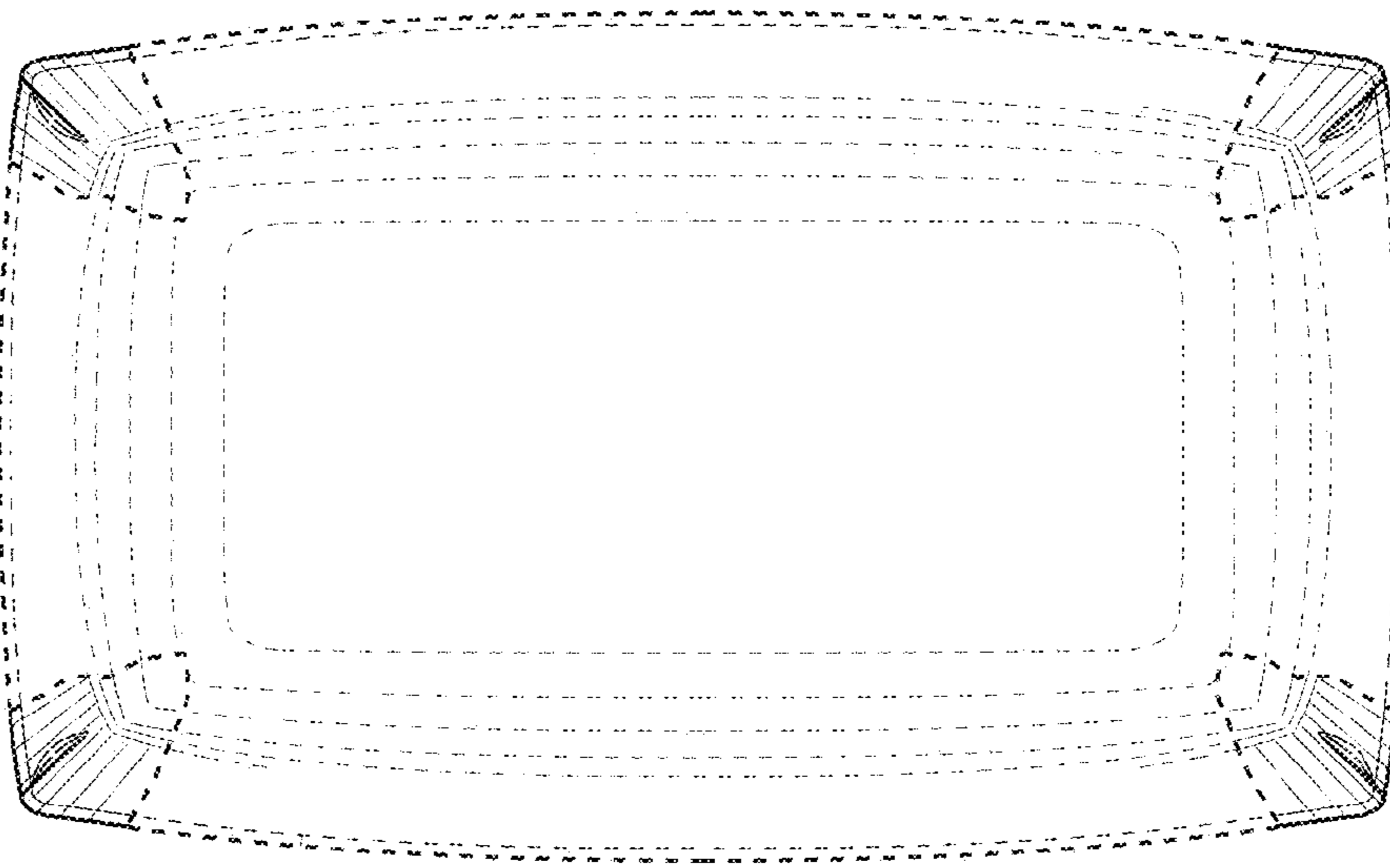


FIG. 21

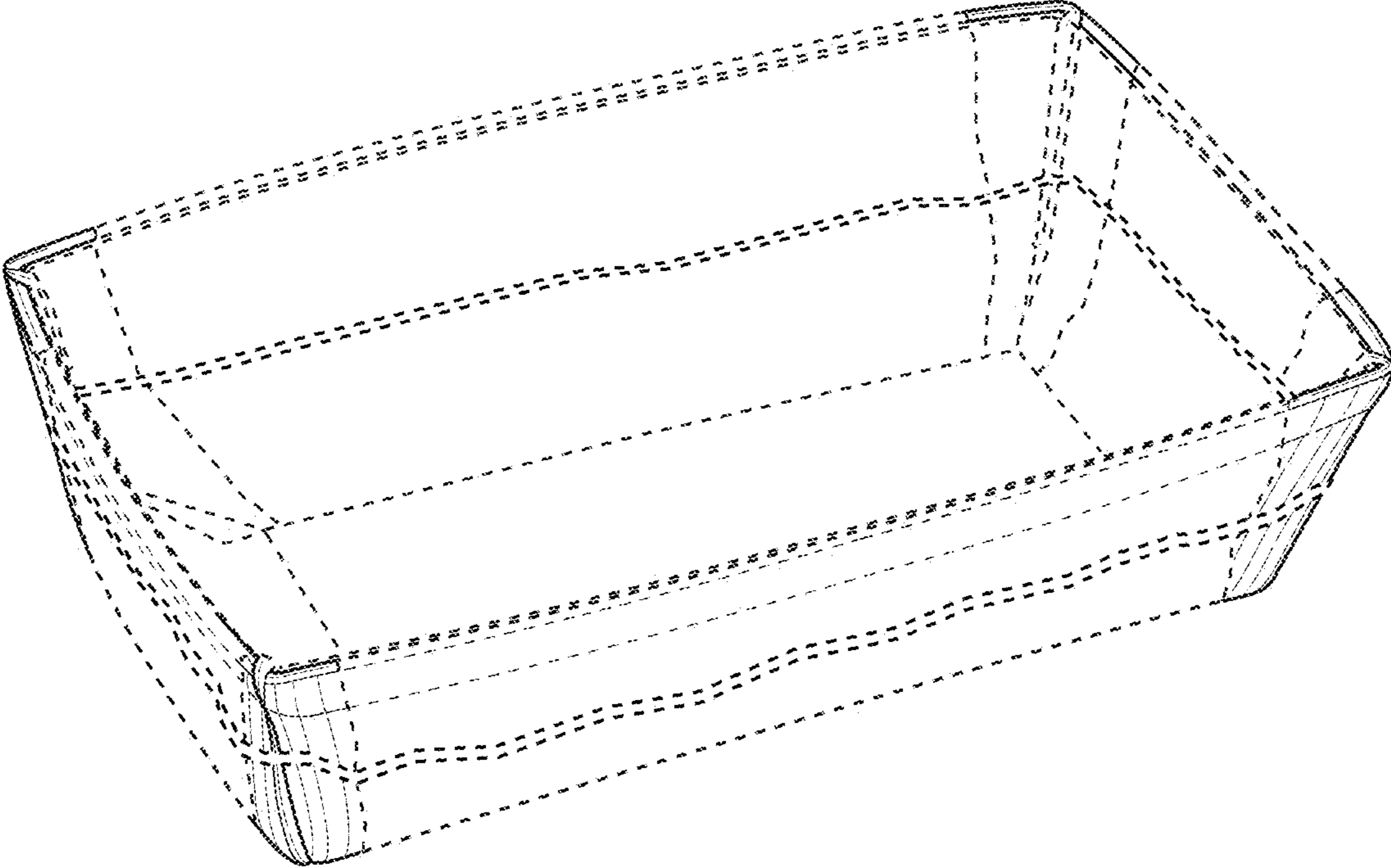


FIG. 22

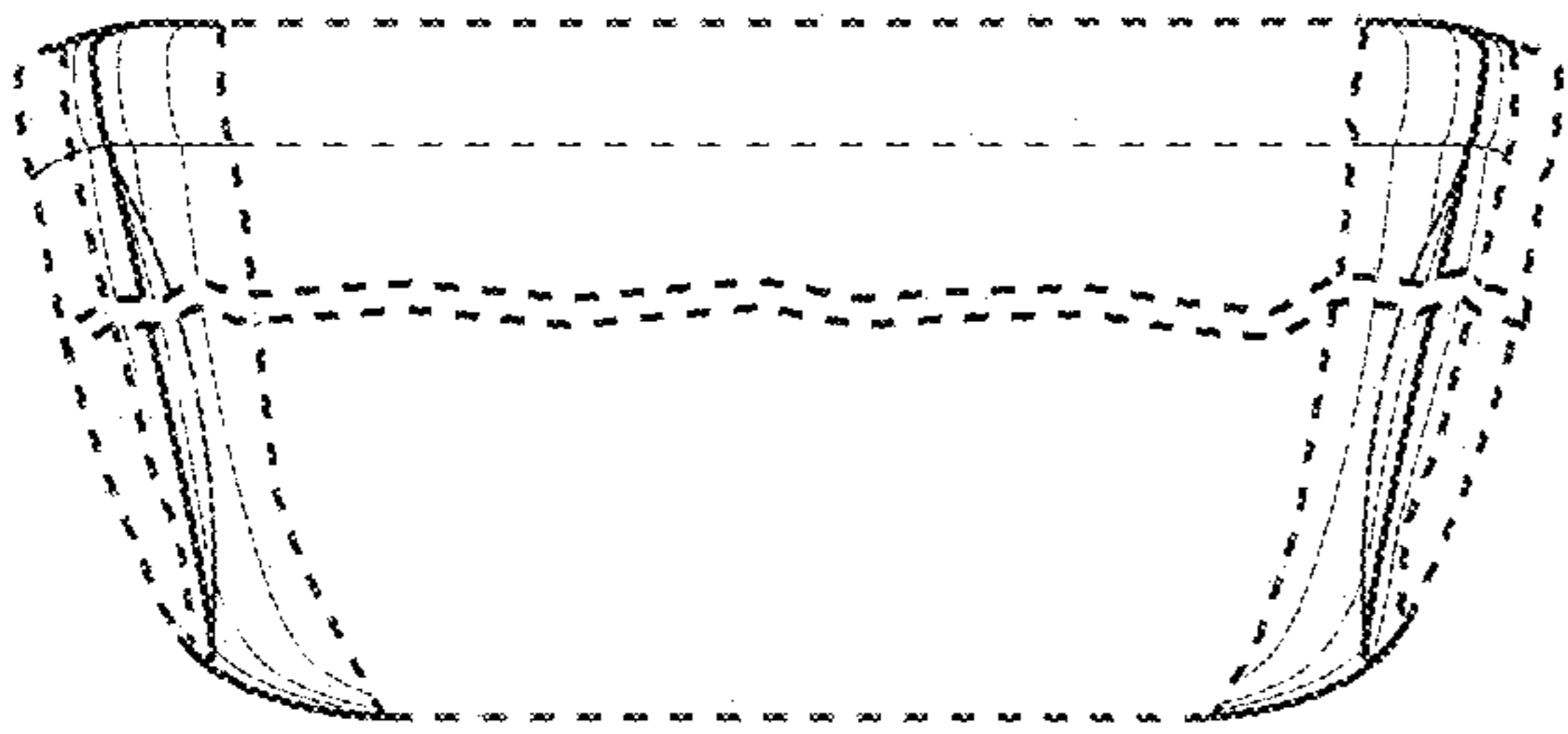


FIG. 23

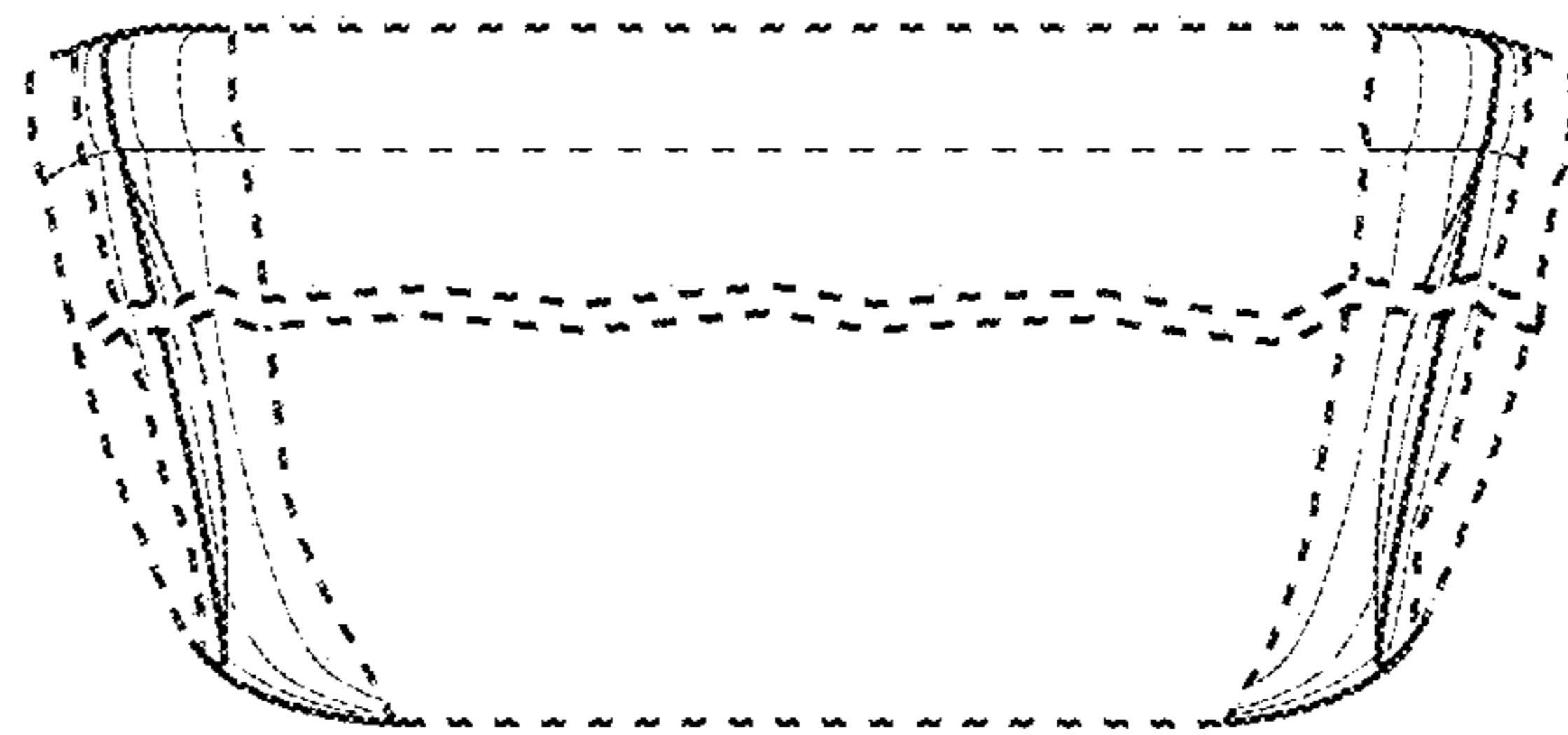


FIG. 24

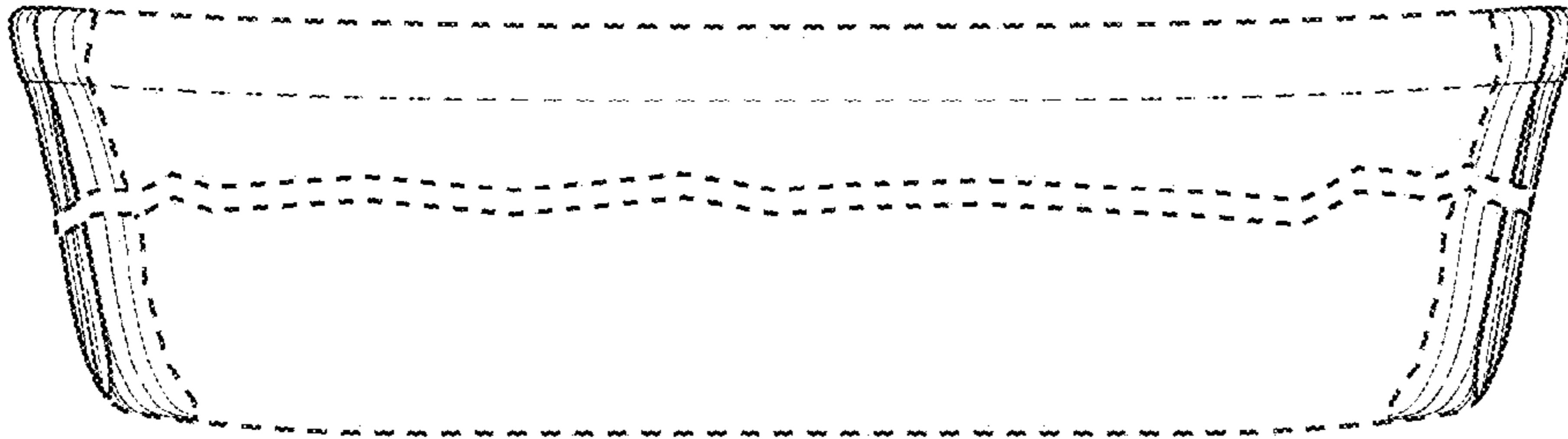


FIG. 25

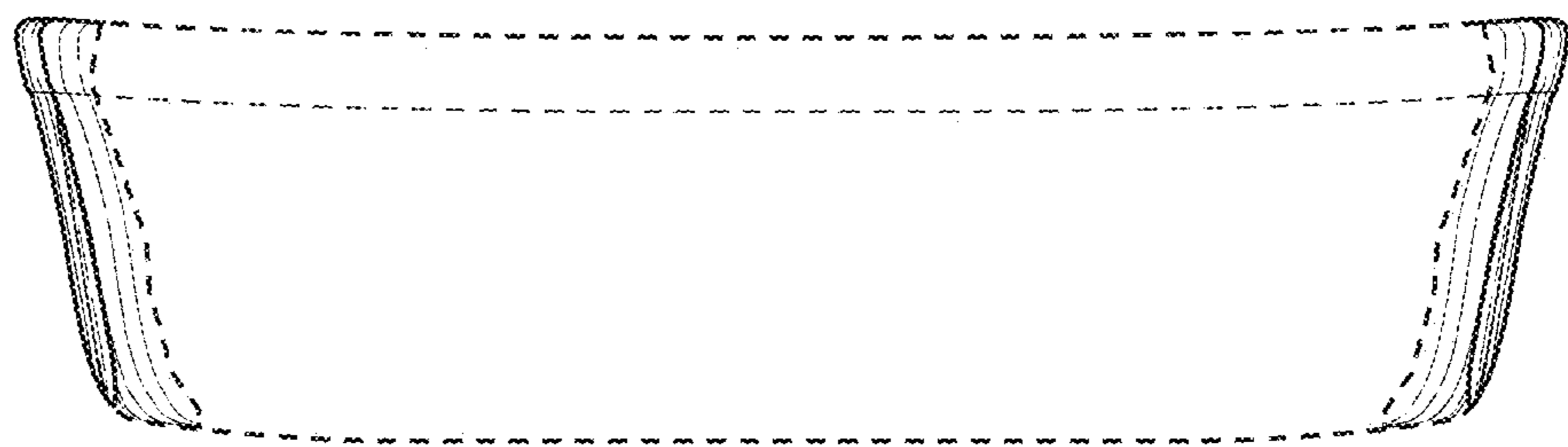


FIG. 26

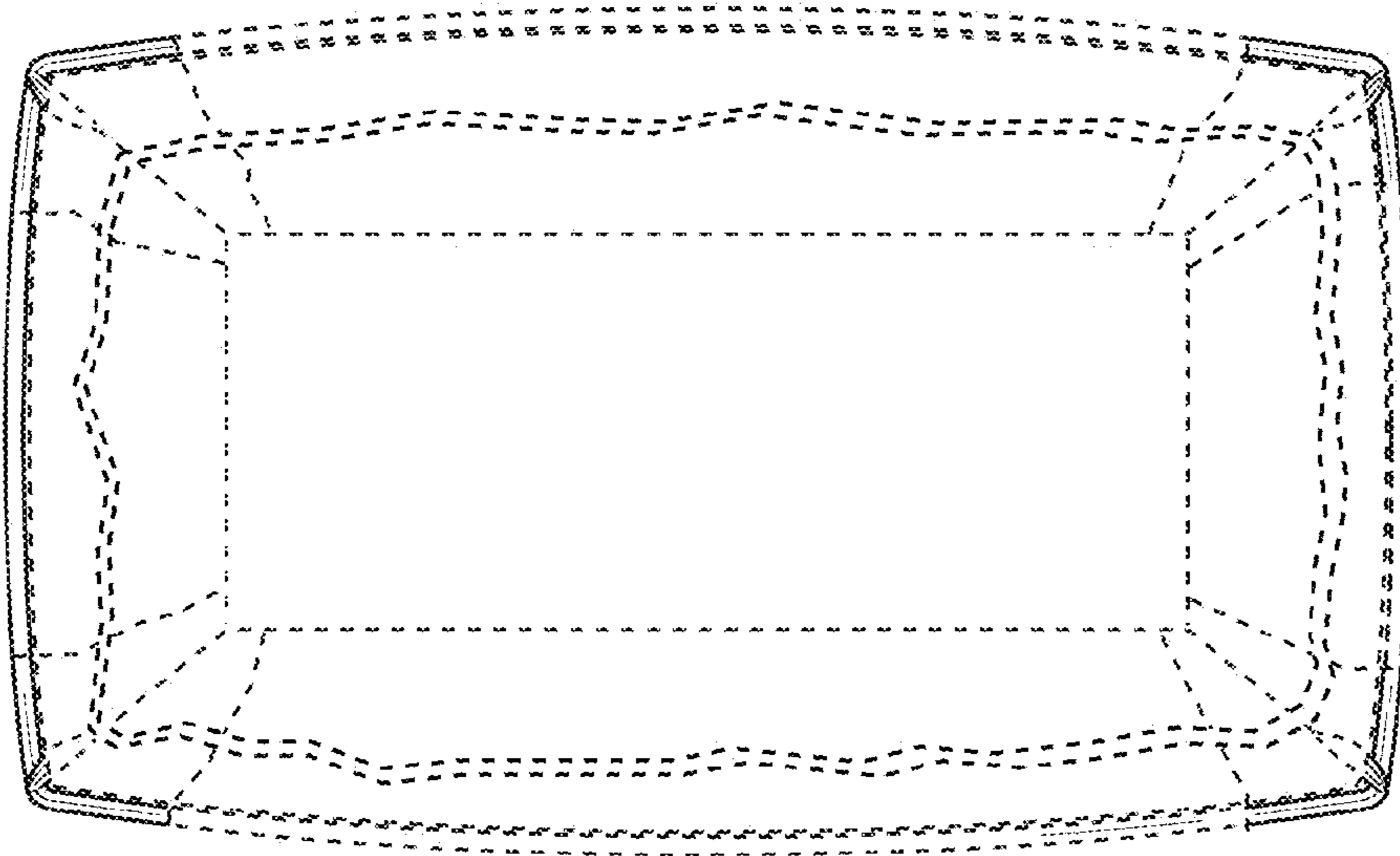


FIG. 27

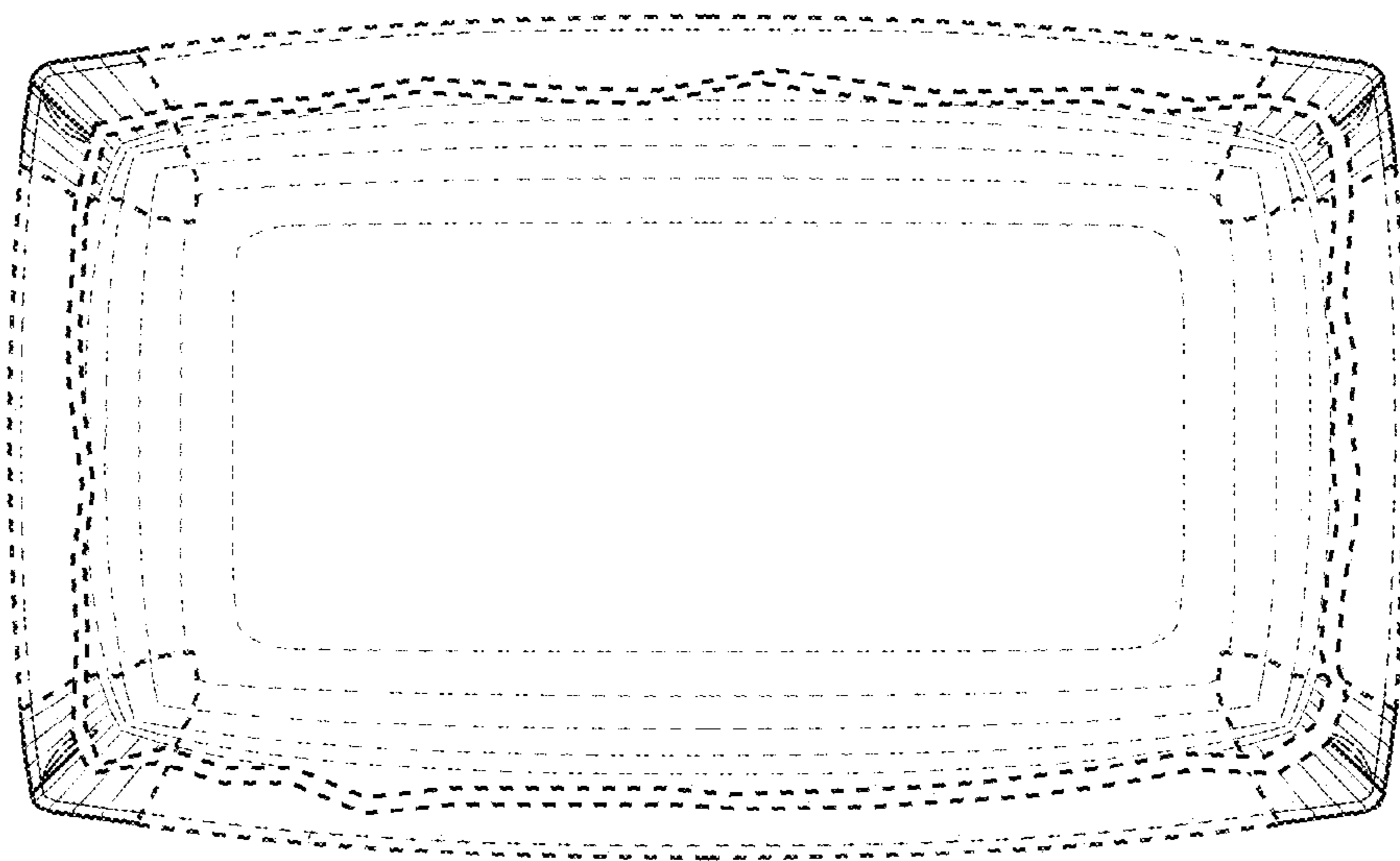


FIG. 28