



US00D921362S

(12) **United States Design Patent**
Lu

(10) **Patent No.:** **US D921,362 S**
(45) **Date of Patent:** **** Jun. 8, 2021**

- (54) **EARPHONE CASE**
- (71) Applicant: **SHENZHEN LINGQIU TECHNOLOGY CO., LTD.,**
Guangdong (CN)
- (72) Inventor: **Lin Lu,** Guangdong (CN)
- (73) Assignee: **SHENZHEN LINGQIU TECHNOLOGY CO., LTD.,**
Guangdong (CN)
- (**) Term: **15 Years**
- (21) Appl. No.: **29/756,356**
- (22) Filed: **Oct. 27, 2020**
- (51) **LOC (13) Cl.** **03-01**
- (52) **U.S. Cl.**
USPC **D3/294**
- (58) **Field of Classification Search**
USPC D3/201, 203.1, 203.3, 203.6, 205, 218,
D3/272-273, 294-295, 301, 319, 901
CPC ... A45C 11/16; A47F 7/03; A47F 7/02; A47G
23/06; A61B 2019/5208
See application file for complete search history.

- (56) **References Cited**
U.S. PATENT DOCUMENTS
- | | | | | |
|------------|---|---------|-----------------|--------|
| D675,434 S | * | 2/2013 | Vernall | D3/294 |
| D722,264 S | * | 2/2015 | Saideh | D9/432 |
| D735,476 S | * | 8/2015 | Duvigneau | D3/294 |
| D740,692 S | * | 10/2015 | Christie | D9/748 |
| D786,093 S | * | 5/2017 | Christie | D9/748 |

- | | | | |
|------------|--------|------------|----------------------|
| D838,480 S | 1/2019 | Son et al. | |
| D871,069 S | * | 12/2019 | Carlson D3/294 |
| D873,217 S | * | 1/2020 | Zhang D13/108 |
| D878,048 S | * | 3/2020 | Wang D3/294 |
| D893,166 S | | 8/2020 | Lu |
| D899,085 S | * | 10/2020 | Bristol D3/289 |
| D902,589 S | * | 11/2020 | Li D3/295 |
| D904,762 S | * | 12/2020 | Koneru D3/274 |
| D904,764 S | * | 12/2020 | Koneru D3/294 |

* cited by examiner

Primary Examiner — Holly E Thurman
(74) *Attorney, Agent, or Firm* — ScienBiziP, P.C.

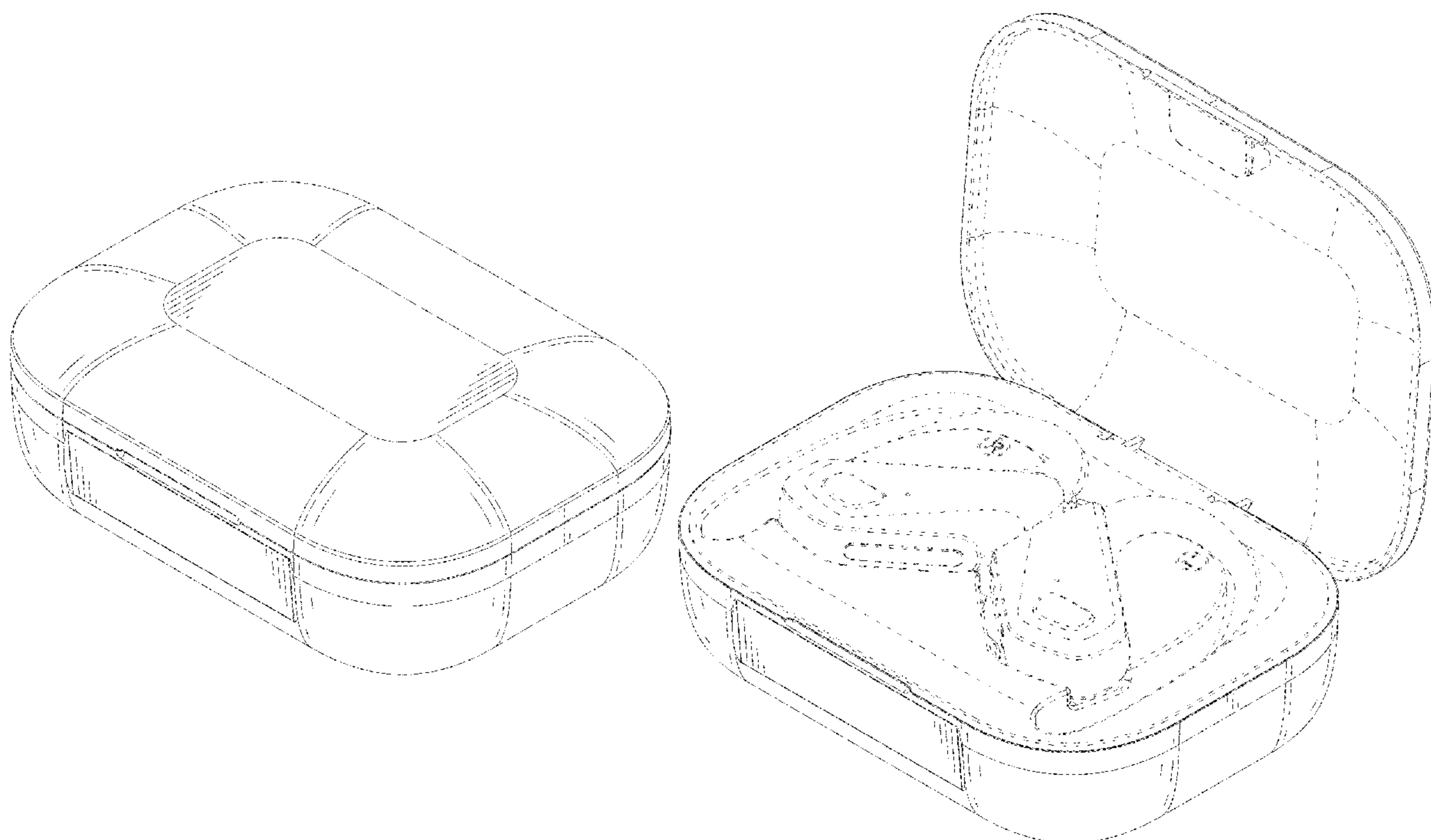
(57) **CLAIM**

The ornamental design for an earphone case, as shown and described.

DESCRIPTION

FIG. 1 is a top perspective view of an earphone case, showing my design.
 FIG. 2 is a bottom perspective view thereof.
 FIG. 3 is a front elevation view thereof.
 FIG. 4 is a rear elevation view thereof.
 FIG. 5 is a left side elevation thereof.
 FIG. 6 is a right side elevation thereof.
 FIG. 7 is a top plan view thereof.
 FIG. 8 is a bottom plan view thereof; and,
 FIG. 9 is a perspective view of the earphone case in an open state.
 The dashed broken lines depict portions of the earphone case and form no part of the claimed design. The dot-dash broken lines define boundaries of claimed design and form no part of the claimed design.

1 Claim, 9 Drawing Sheets



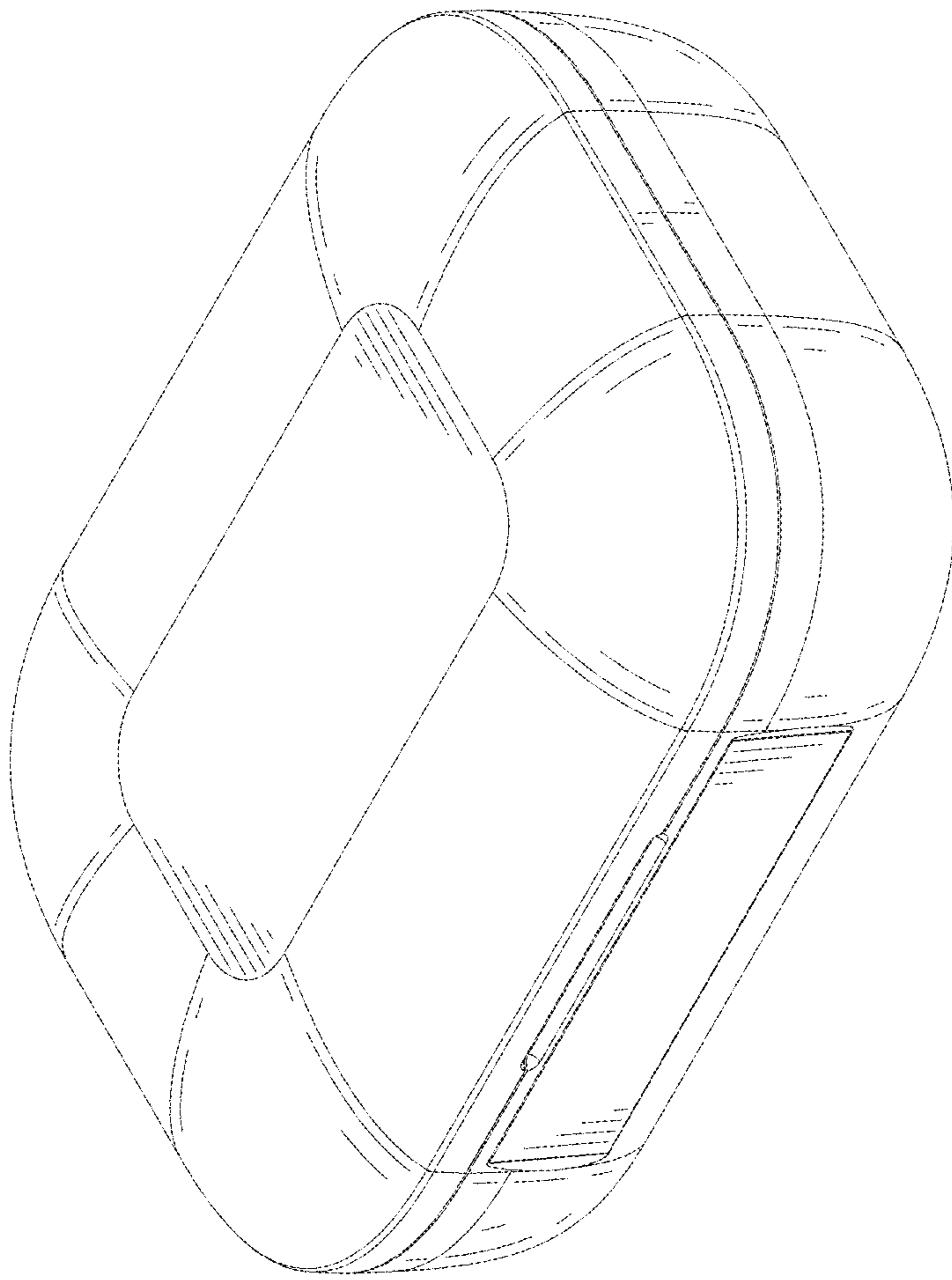


FIG.1

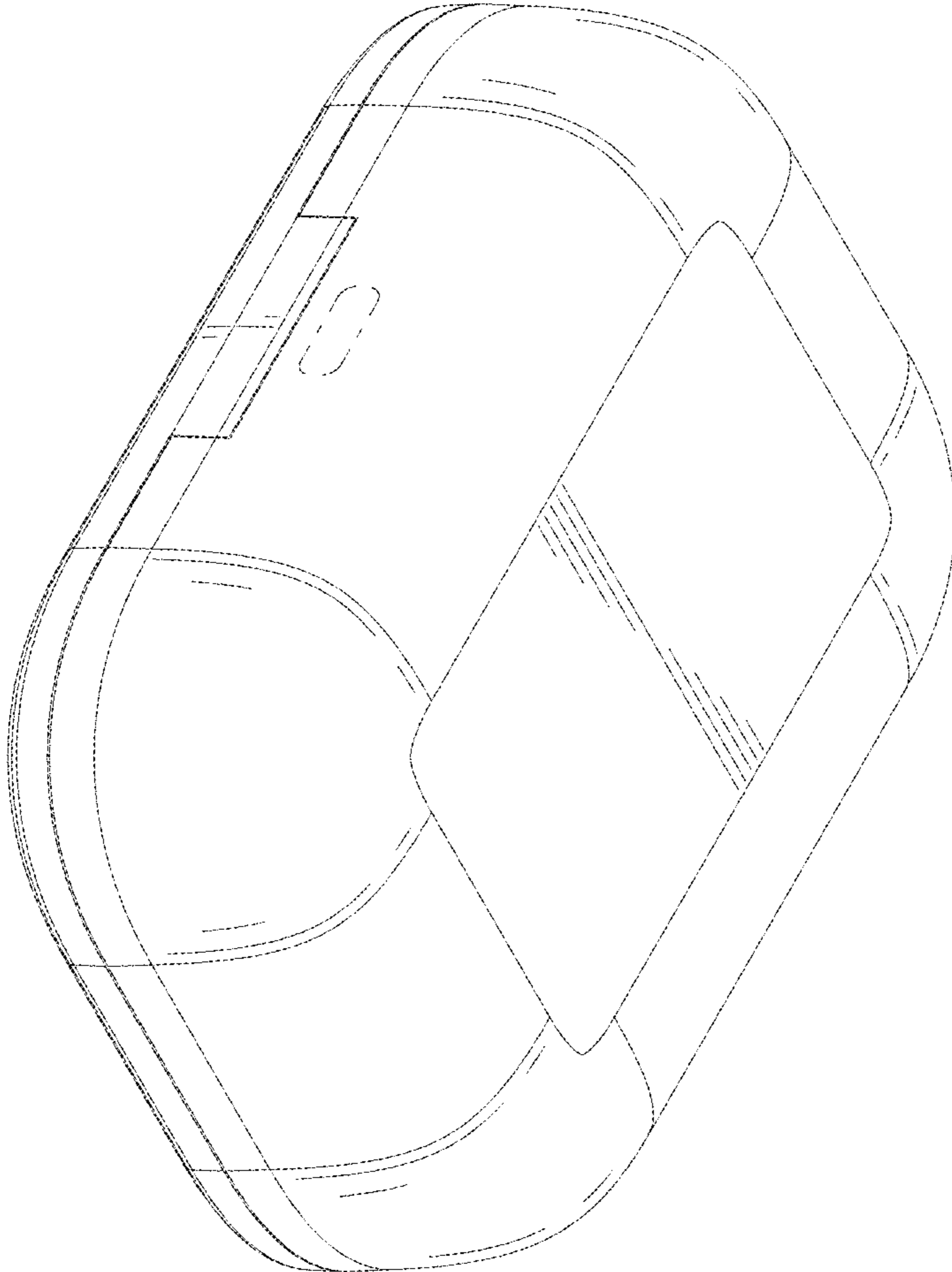


FIG. 2

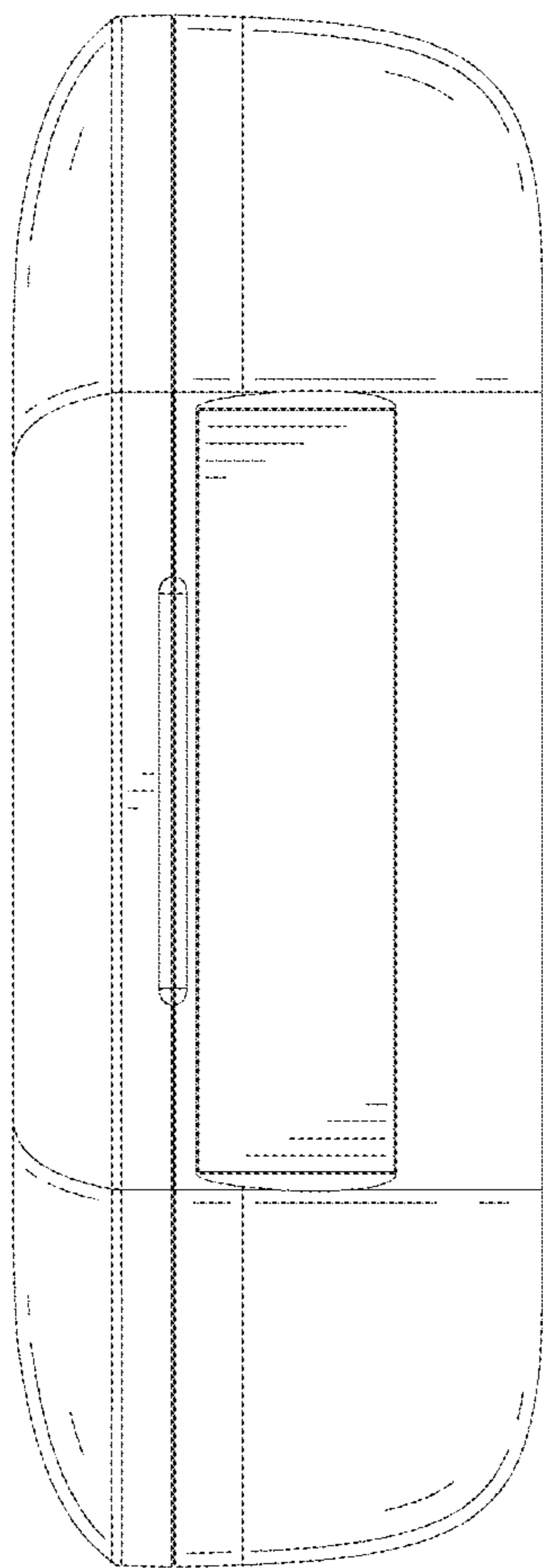


FIG. 3

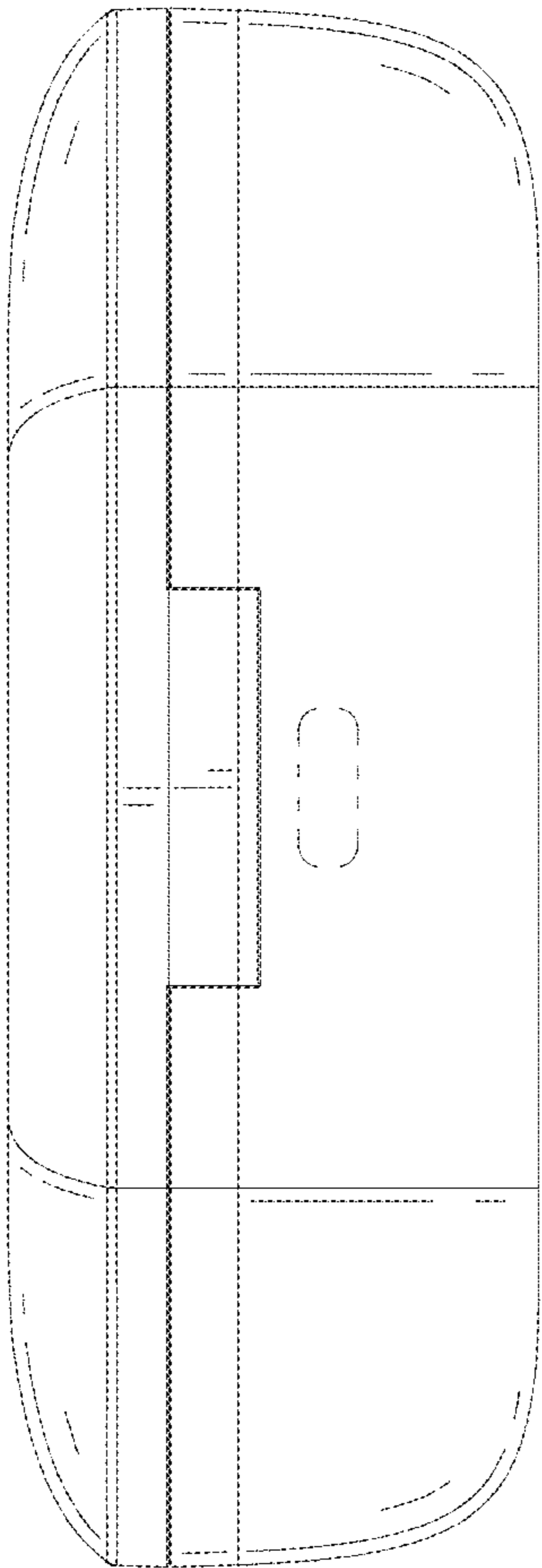


FIG. 4

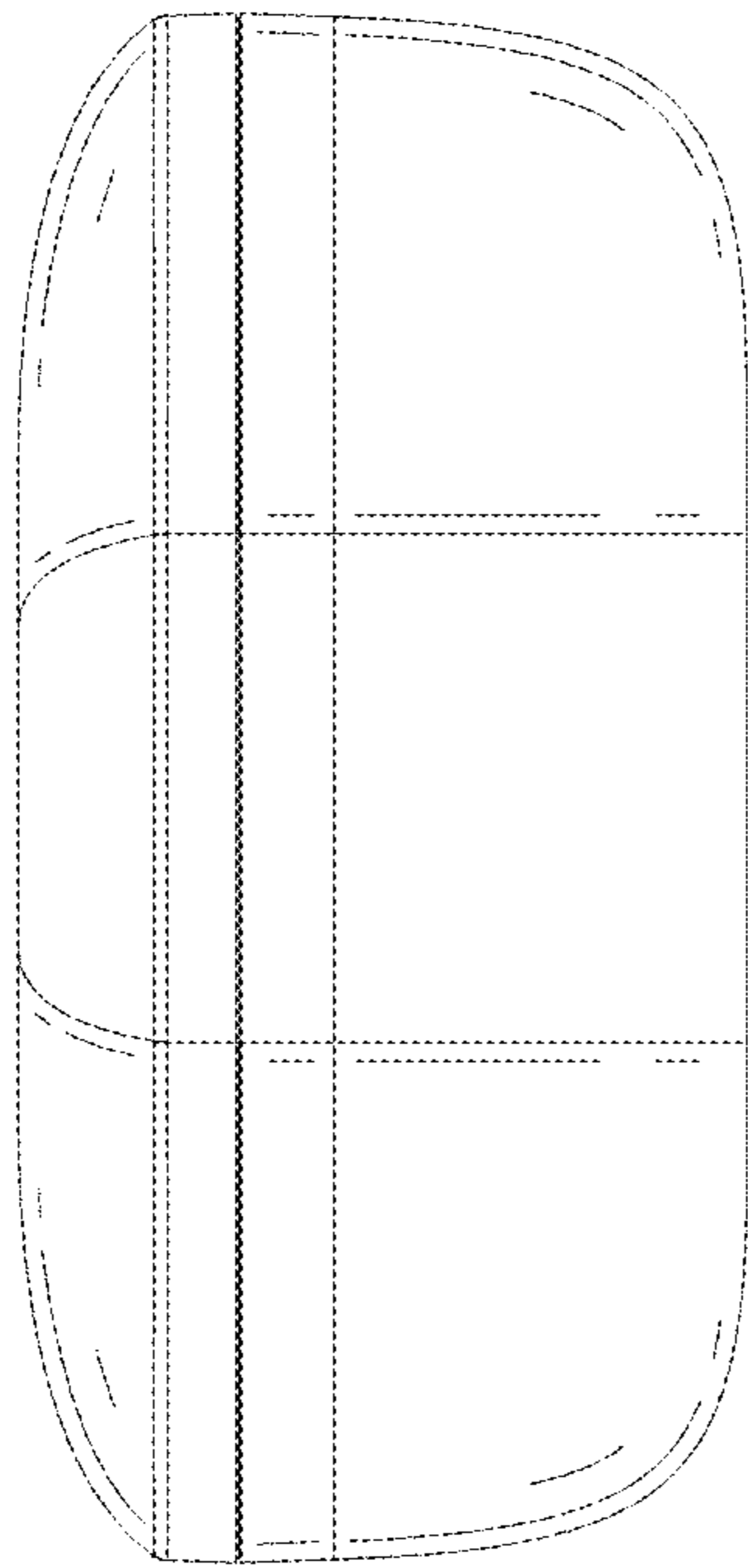


FIG. 5

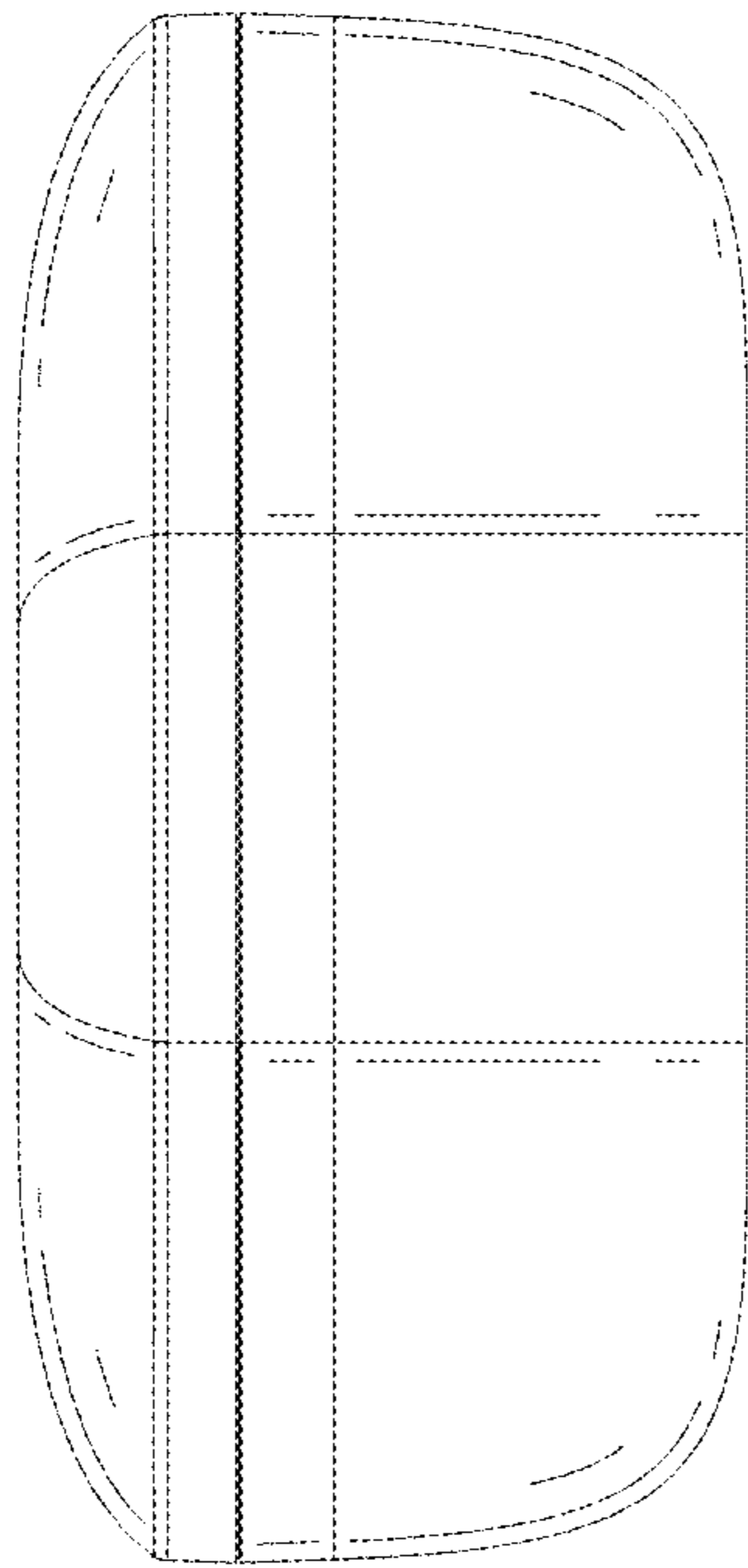


FIG. 6

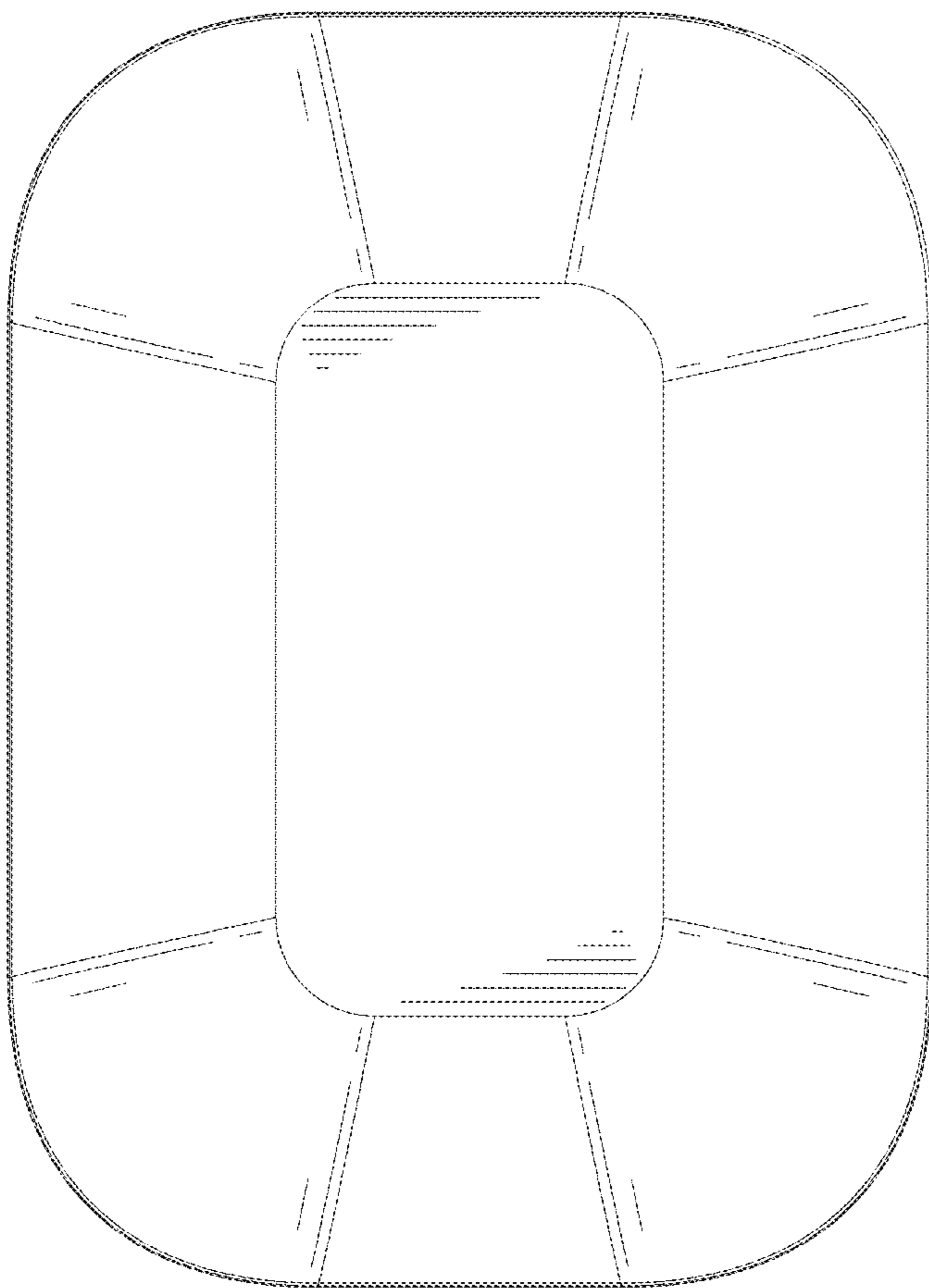


FIG. 7

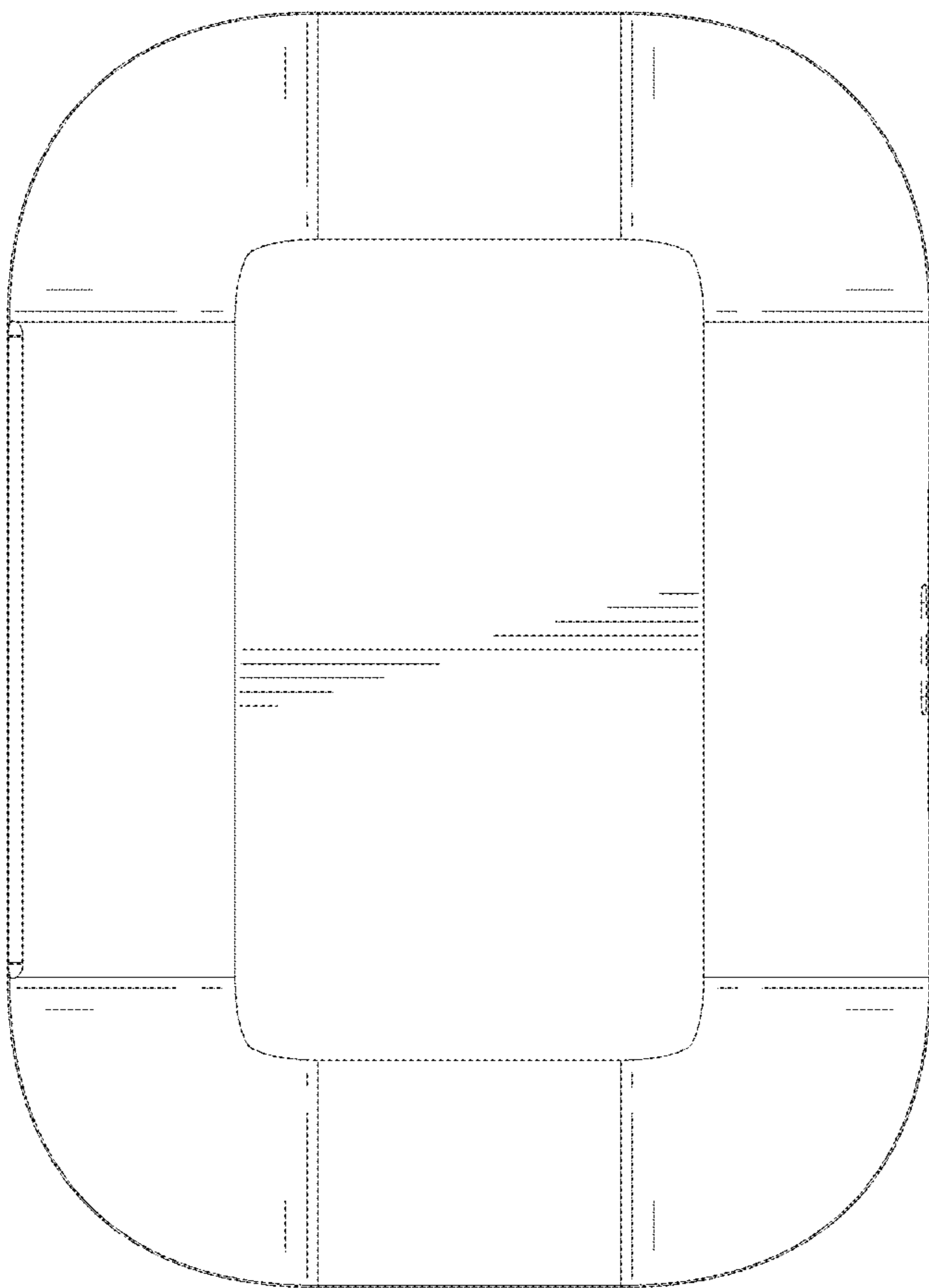


FIG. 8

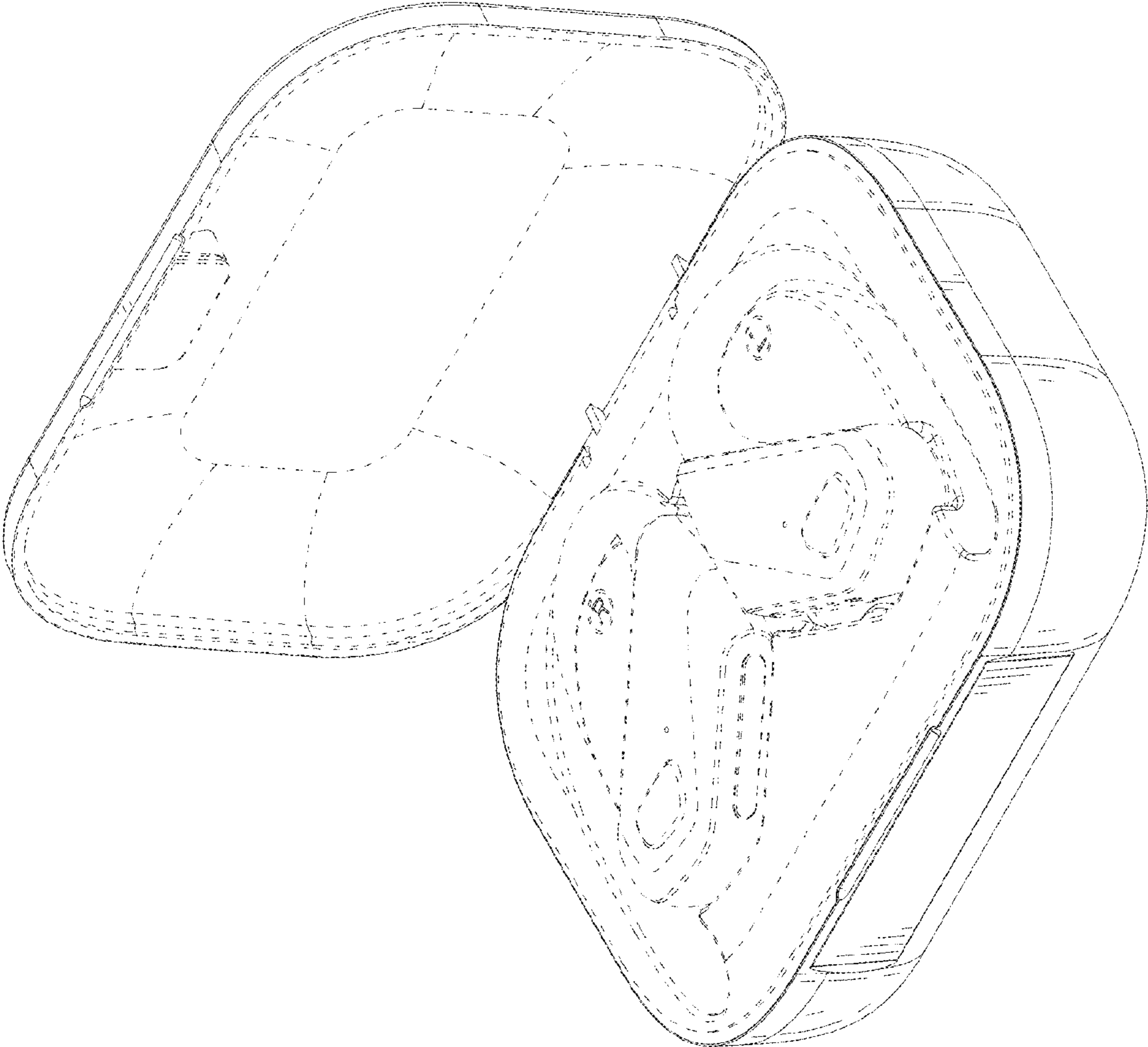


FIG. 9