



US00D921361S

(12) **United States Design Patent** (10) **Patent No.:** **US D921,361 S**
Kraemer (45) **Date of Patent:** **** Jun. 8, 2021**

- (54) **CONTAINER**
- (71) Applicant: **InterDesign, Inc.**, Solon, OH (US)
- (72) Inventor: **Kevin Francis Kraemer**, Chagrin Falls, OH (US)
- (73) Assignee: **InterDesign, Inc.**, Solon, OH (US)
- (**) Term: **15 Years**
- (21) Appl. No.: **29/641,608**
- (22) Filed: **Mar. 23, 2018**

D622,959 S *	9/2010	Zalewski	D3/273
D643,628 S *	8/2011	Monarch	D3/302
D654,690 S *	2/2012	Sofy	D3/309
D748,916 S *	2/2016	Nilsson	D3/302
D766,634 S *	9/2016	Nilsson	D6/705
D767,950 S *	10/2016	Kraemer	D7/629
D841,980 S *	3/2019	Hsu	D3/273
D848,148 S *	5/2019	Li	D3/282
D862,994 S *	10/2019	Kraemer	D7/629
D871,161 S *	12/2019	Liu	D7/605
D901,293 S *	11/2020	Plattner	D9/425
D912,985 S *	3/2021	Kraemer	D3/314

* cited by examiner

Primary Examiner — Kelley A Donnelly
(74) *Attorney, Agent, or Firm* — Calfee, Halter & Griswold LLP

Related U.S. Application Data

- (63) Continuation of application No. 29/547,268, filed on Dec. 2, 2015, now Pat. No. Des. 813,575, which is a continuation of application No. 29/449,963, filed on Mar. 15, 2013, now Pat. No. Des. 747,102.

- (51) **LOC (13) Cl.** **03-01**
- (52) **U.S. Cl.**
USPC **D3/273**

- (58) **Field of Classification Search**
USPC D3/273, 294, 304, 315, 328; D7/538, D7/542, 545, 601–602
CPC ... B65D 1/26; B65D 1/00; B65D 1/22; B65D 1/32; B65D 1/14; B65D 1/34; B65D 3/00; B65D 5/00; B65D 5/0085; B65D 5/009; A47J 47/02; A47J 47/08; A47J 47/10; A47G 19/00
See application file for complete search history.

- (56) **References Cited**
U.S. PATENT DOCUMENTS

D593,324 S *	6/2009	Simas	D3/302
D597,383 S *	8/2009	Masterton	D3/272

(57) **CLAIM**

I claim the ornamental design for a container, as shown and described.

DESCRIPTION

FIG. 1 is a front/right/top perspective view of a container (a front/left/top view would be a mirror image thereof); FIG. 2 is a rear/left/bottom perspective view thereof (a rear/right/bottom view would be a mirror image thereof); FIG. 3 is a top plan view thereof; FIG. 4 is a bottom plan view thereof; FIG. 5 is a front elevational view thereof; and, FIG. 6 is a rear elevational view thereof. The broken lines depict portions that form no part of the claimed design.

1 Claim, 5 Drawing Sheets

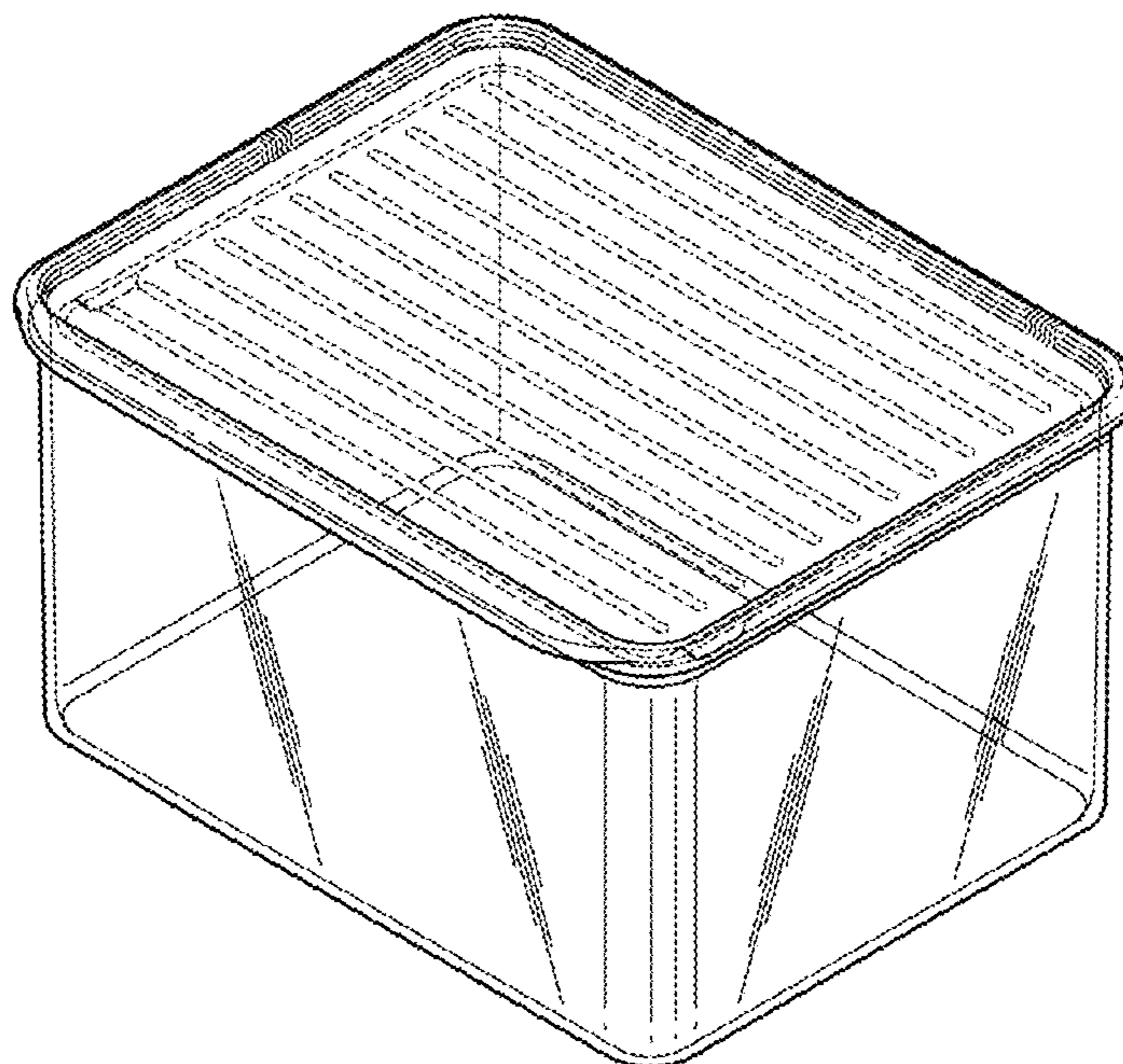


FIG. 1

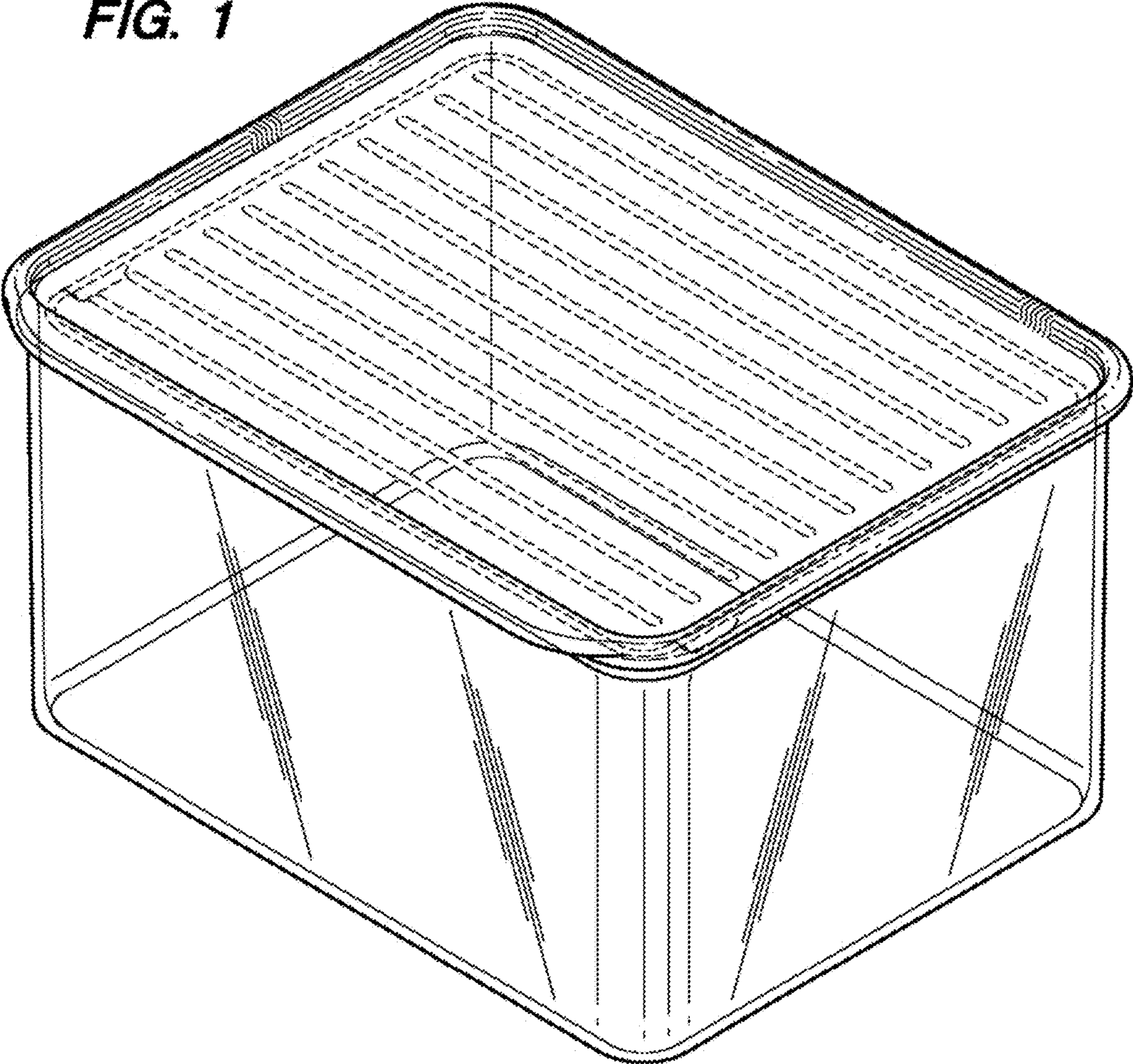


FIG. 2

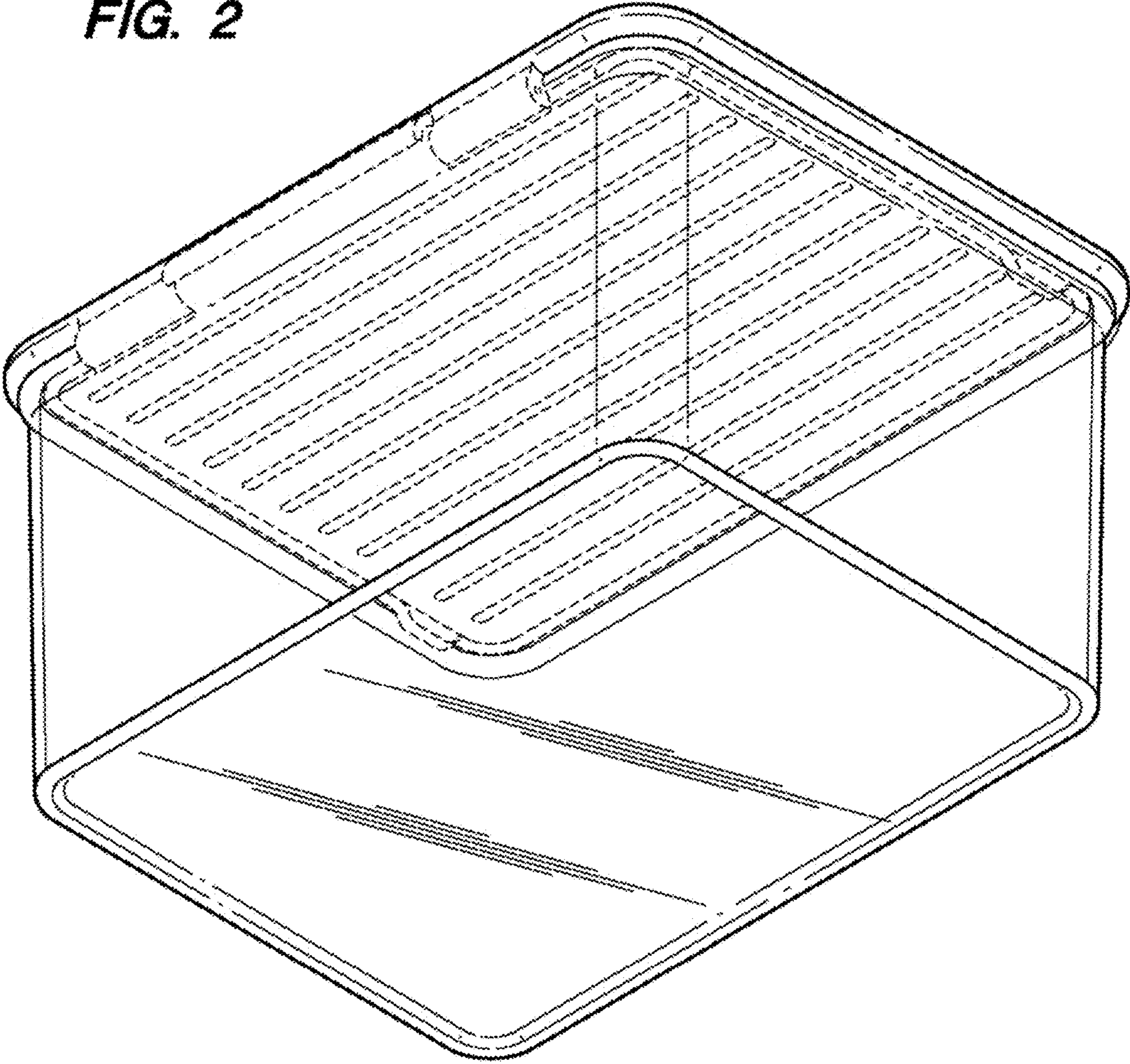


FIG. 3

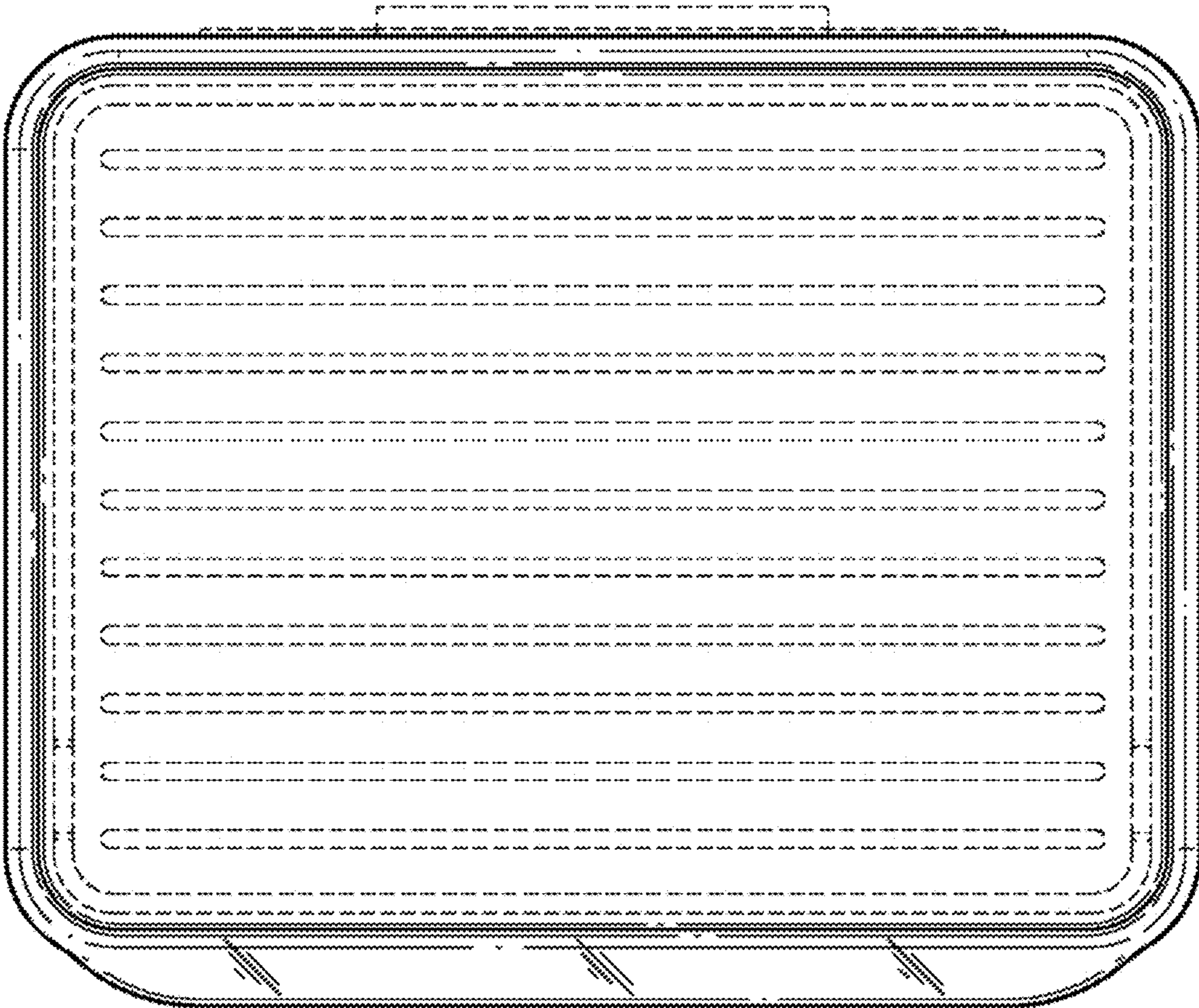


FIG. 4

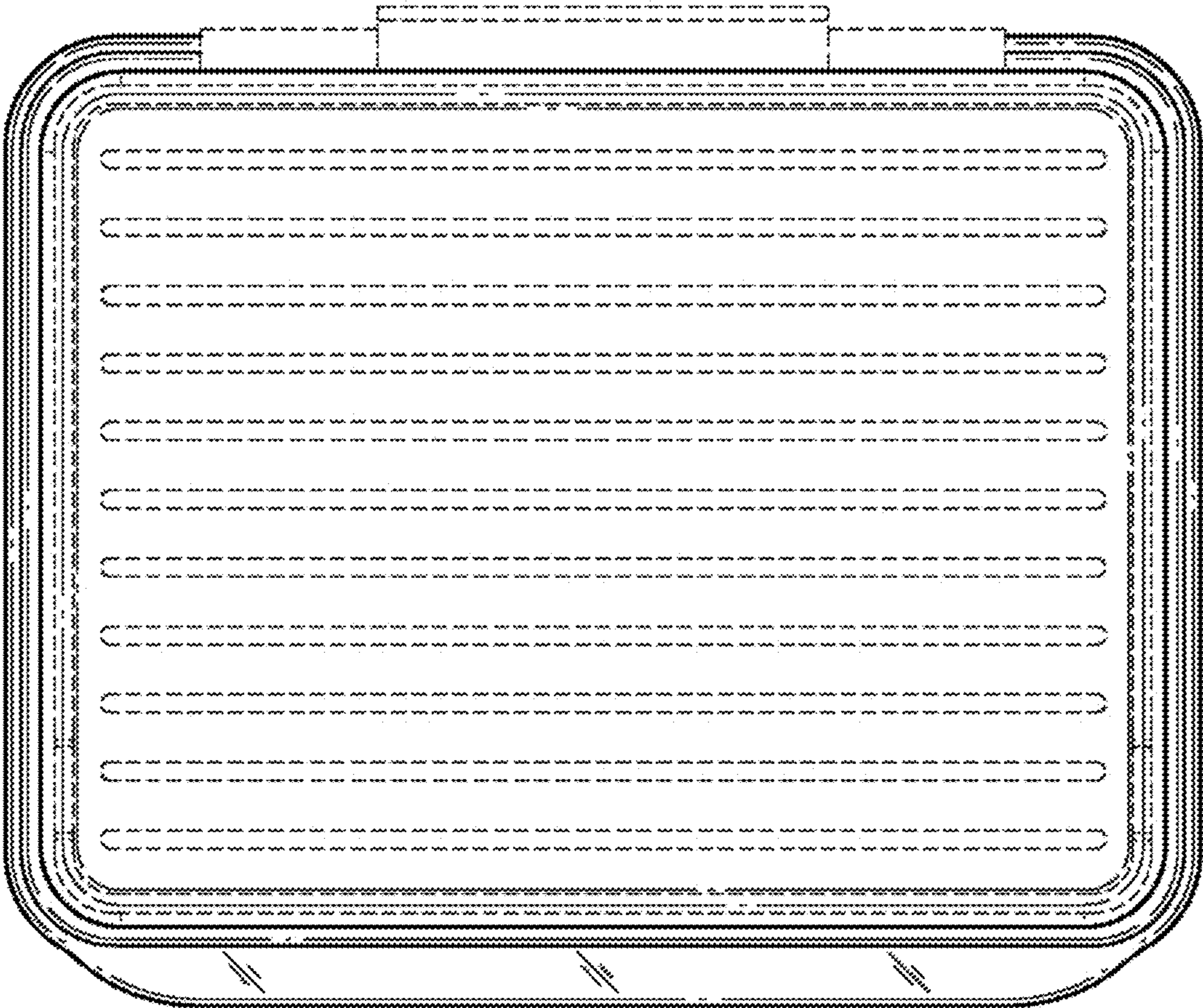


FIG. 5

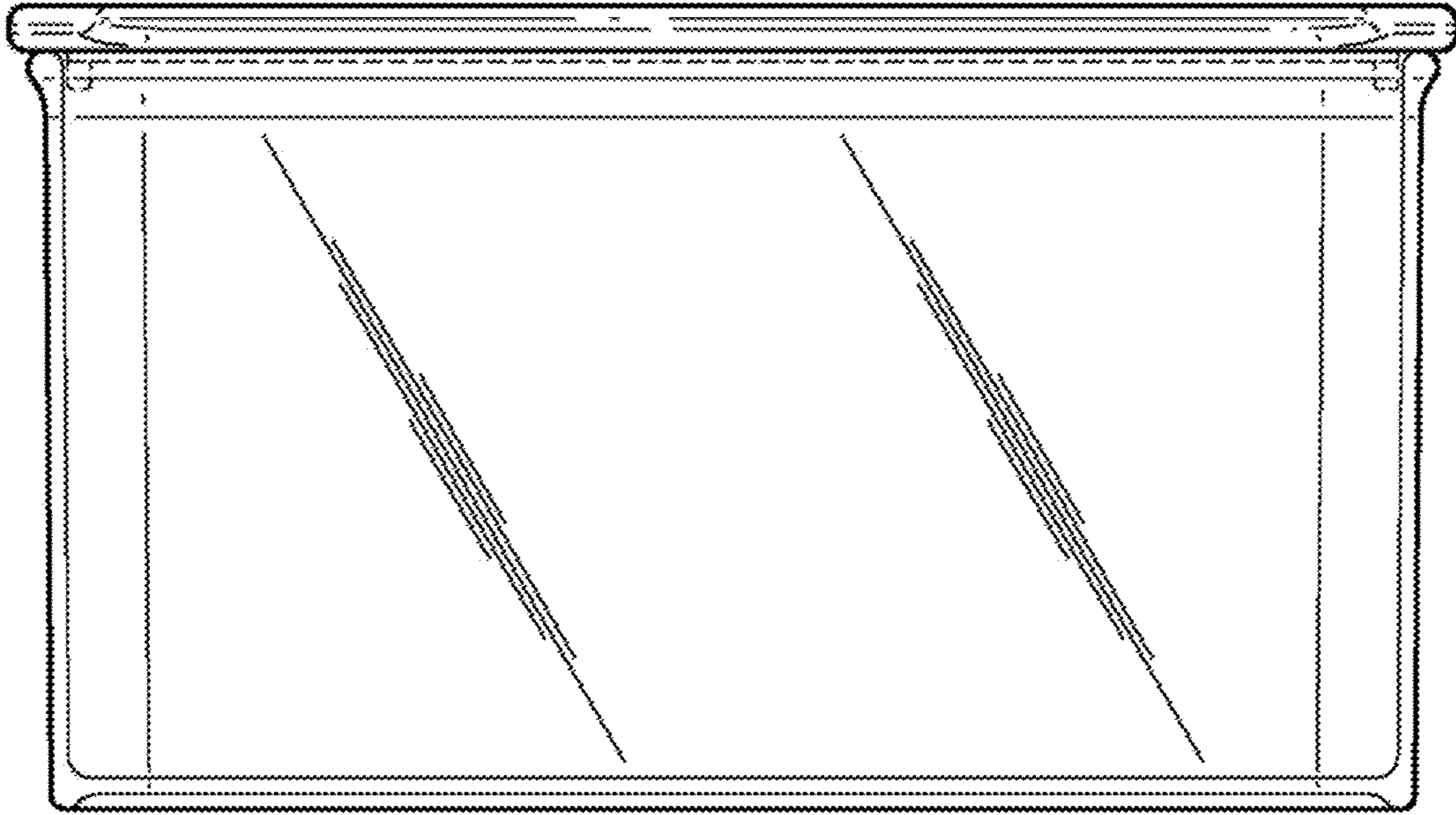


FIG. 6

