



US00D921359S

(12) **United States Design Patent**
Roth et al.

(10) **Patent No.:** **US D921,359 S**
(45) **Date of Patent:** **** Jun. 8, 2021**

(54) **MOBILE DEVICE GRIP**

FOREIGN PATENT DOCUMENTS

(71) Applicant: **NEBRO, LLC**, Sunland Park, NM (US)

WO 2018187278 A1 10/2018

(72) Inventors: **Jeffrey Roth**, Sunland Park, NM (US);
Christopher David McCoy, Oakland, CA (US)

OTHER PUBLICATIONS

Vivitar Twist-N-Hold-Phone. <https://www.sears.com/vivitar-th600-trg-vivitar-twist-n-hold-phone/p-SPM12692227738#> (Sep. 6, 2019).

(73) Assignee: **NEBRO, LLC**, Sunland Park, NM (US)

Primary Examiner — Catherine R Oliver-Garcia
(74) *Attorney, Agent, or Firm* — Loza & Loza, LLP; Kevin Soules

(**) Term: **15 Years**

(57) **CLAIM**

(21) Appl. No.: **29/713,028**

The ornamental design for a mobile device grip, as shown and described.

(22) Filed: **Nov. 13, 2019**

DESCRIPTION

Related U.S. Application Data

(63) Continuation-in-part of application No. 16/666,195, filed on Oct. 28, 2019, now Pat. No. 10,897,984.

(51) **LOC (13) Cl.** **03-01**

(52) **U.S. Cl.**
USPC **D3/218**

(58) **Field of Classification Search**

USPC D3/218; D14/250–254, 447, 451–452, D14/432–434, 440, 144, 217, 224, 238, D14/224.1, 483; 455/575.1, 575.6, 575.8; 206/37; D13/107–108; D8/349, 354, D8/355, 363, 373, 380; D16/242–243
CPC A45C 2011/011; A45C 2200/15; A45C 2011/002; A45F 5/00; A45F 5/02; A45F 5/10; A47F 7/022; B60R 2011/008; B60R

(Continued)

(56) **References Cited**

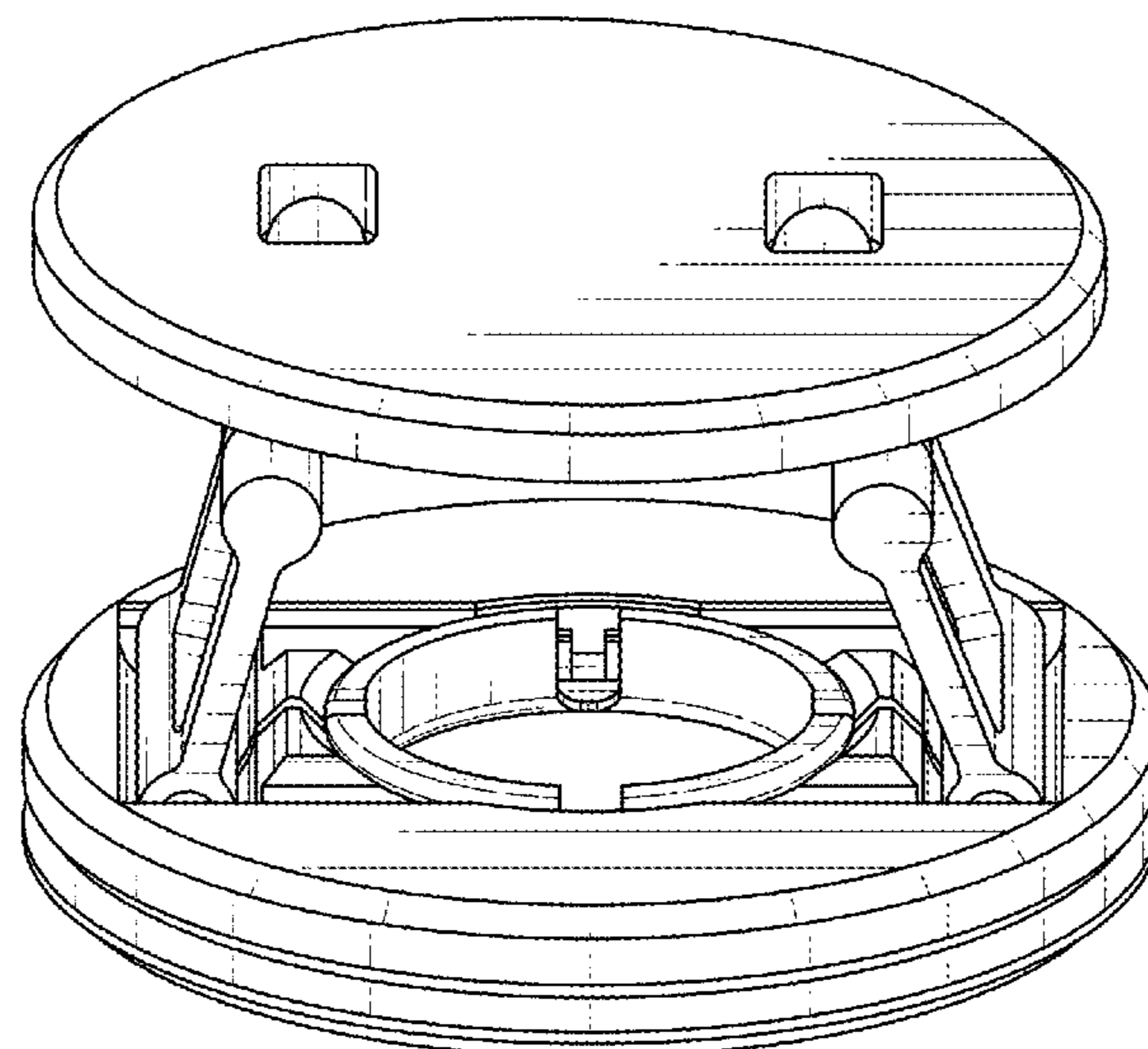
U.S. PATENT DOCUMENTS

5,568,549 A 10/1996 Wang
D471,547 S 3/2003 Ruohonen

(Continued)

FIG. 1 is a top right perspective view of a mobile device grip, according to the present invention.
FIG. 2 is a top left perspective view of the mobile device grip of FIG. 1;
FIG. 3 is a bottom left perspective view of the mobile device grip of FIG. 1;
FIG. 4 is a left side elevation view of the mobile device grip of FIG. 1;
FIG. 5 is a right side elevation view of the mobile device grip of FIG. 1;
FIG. 6 is a front elevation view of the mobile device grip of FIG. 1;
FIG. 7 is a back elevation view of the mobile device grip of FIG. 1;
FIG. 8 is a top plan view of the mobile device grip of FIG. 1;
FIG. 9 is a bottom plan view of the mobile device grip of FIG. 1; and,
FIG. 10 is a top front perspective view of the mobile device grip of FIG. 1.
Broken lines, where present, illustrate portions of the mobile device grip that form no part of the claimed design.

1 Claim, 5 Drawing Sheets



(58) **Field of Classification Search**

CPC . 11/02; B60R 11/0241; B60R 11/0258; B60R 11/0252; B60R 2011/0294; F16M 11/00; F16M 11/04; F16M 11/041; F16M 11/02; F16M 11/06; F16M 13/00; B62J 11/00; H05K 7/00; G03B 17/56; H04M 1/02; H04M 1/04; H04M 1/11; H04M 1/12

See application file for complete search history.

| | | | | |
|--------------|------|---------|----------------|--------------------------|
| D818,808 | S | 5/2018 | Barnett | |
| 10,019,034 | B2 | 7/2018 | Barnett et al. | |
| D839,257 | S | 1/2019 | Polseno, Sr. | |
| 10,244,854 | B1 | 4/2019 | Haber et al. | |
| D847,805 | S | 5/2019 | Lederer | |
| D863,287 | S | 10/2019 | Srour | |
| 10,463,116 | B2 * | 11/2019 | Barnett | A45F 5/00 |
| 10,686,481 | B2 * | 6/2020 | Barnett | H04B 1/3877 |
| 10,721,343 | B2 * | 7/2020 | Nahum | F16M 11/041 |
| 10,806,552 | B1 * | 10/2020 | Demoss | A61C 15/043 |
| 2005/0243522 | A1 | 11/2005 | Nilsen et al. | |
| 2008/0090443 | A1 | 4/2008 | Ackloo | |
| 2011/0084081 | A1 | 4/2011 | Chung et al. | |
| 2012/0329534 | A1 * | 12/2012 | Barnett | G06F 1/1626 455/575.8 |
| 2014/0317329 | A1 | 10/2014 | Barnett et al. | |
| 2016/0220000 | A1 | 8/2016 | McGuckin | |
| 2017/0195000 | A1 * | 7/2017 | Srour | H04B 1/3888 |
| 2019/0245960 | A1 * | 8/2019 | Nahum | F16M 11/046 |
| 2020/0037737 | A1 * | 2/2020 | Cantoli-Alves | A45F 5/00 |
| 2020/0253362 | A1 * | 8/2020 | Ruddy | A45F 5/00 |

(56)

References Cited

U.S. PATENT DOCUMENTS

| | | | | |
|-----------|-----|---------|----------------|---------|
| 7,422,486 | B2 | 9/2008 | Hoff et al. | |
| 7,540,788 | B2 | 6/2009 | Murphy et al. | |
| 7,644,895 | B2 | 1/2010 | Tseng | |
| 8,560,031 | B2 | 10/2013 | Barnett et al. | |
| D777,022 | S | 1/2017 | Barnett | |
| D794,607 | S | 8/2017 | Srour | |
| D799,468 | S * | 10/2017 | Chen | D14/253 |
| 9,787,348 | B2 | 10/2017 | Srour | |
| 9,800,703 | B2 | 10/2017 | Roux | |

* cited by examiner

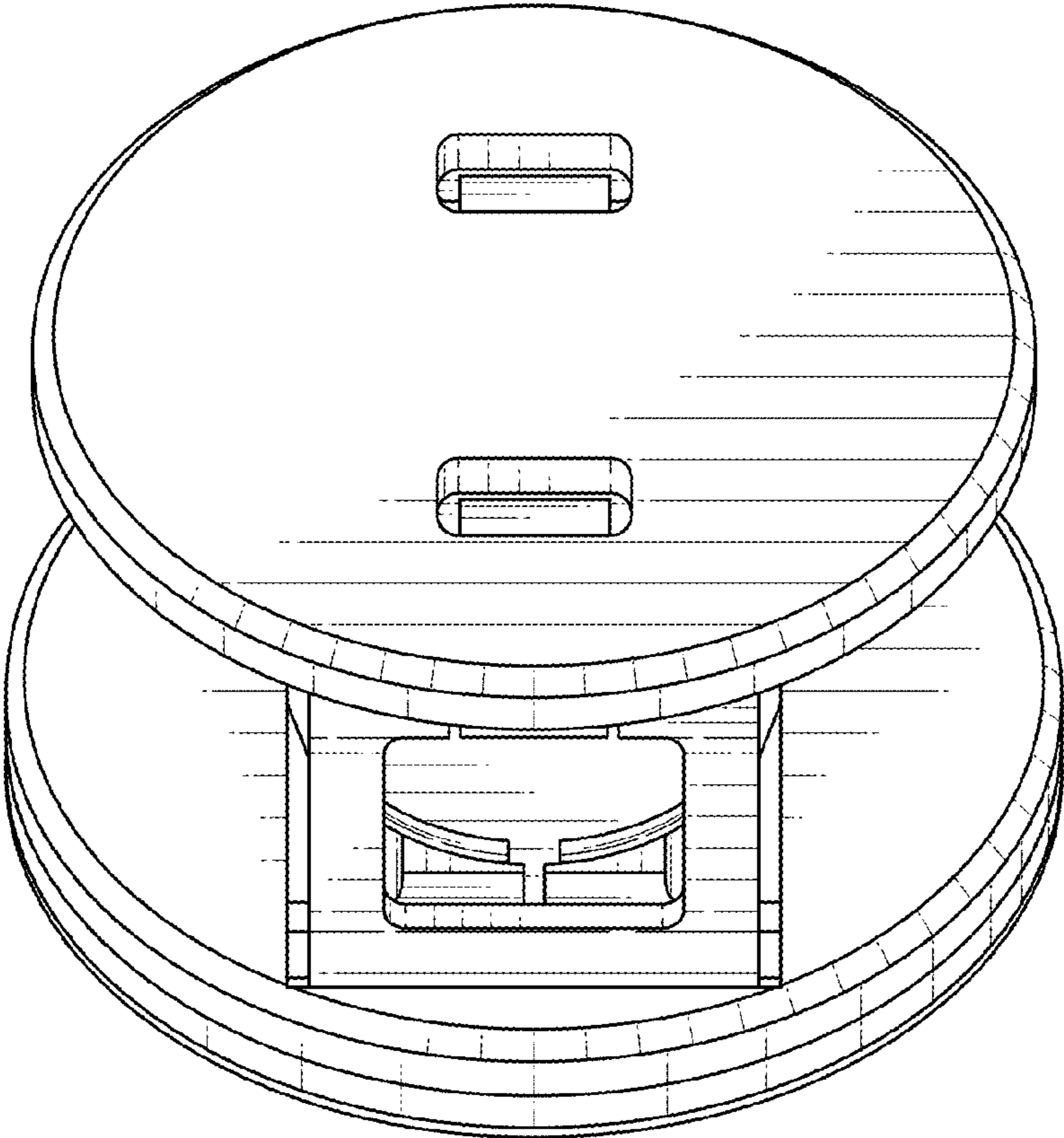


FIG. 1

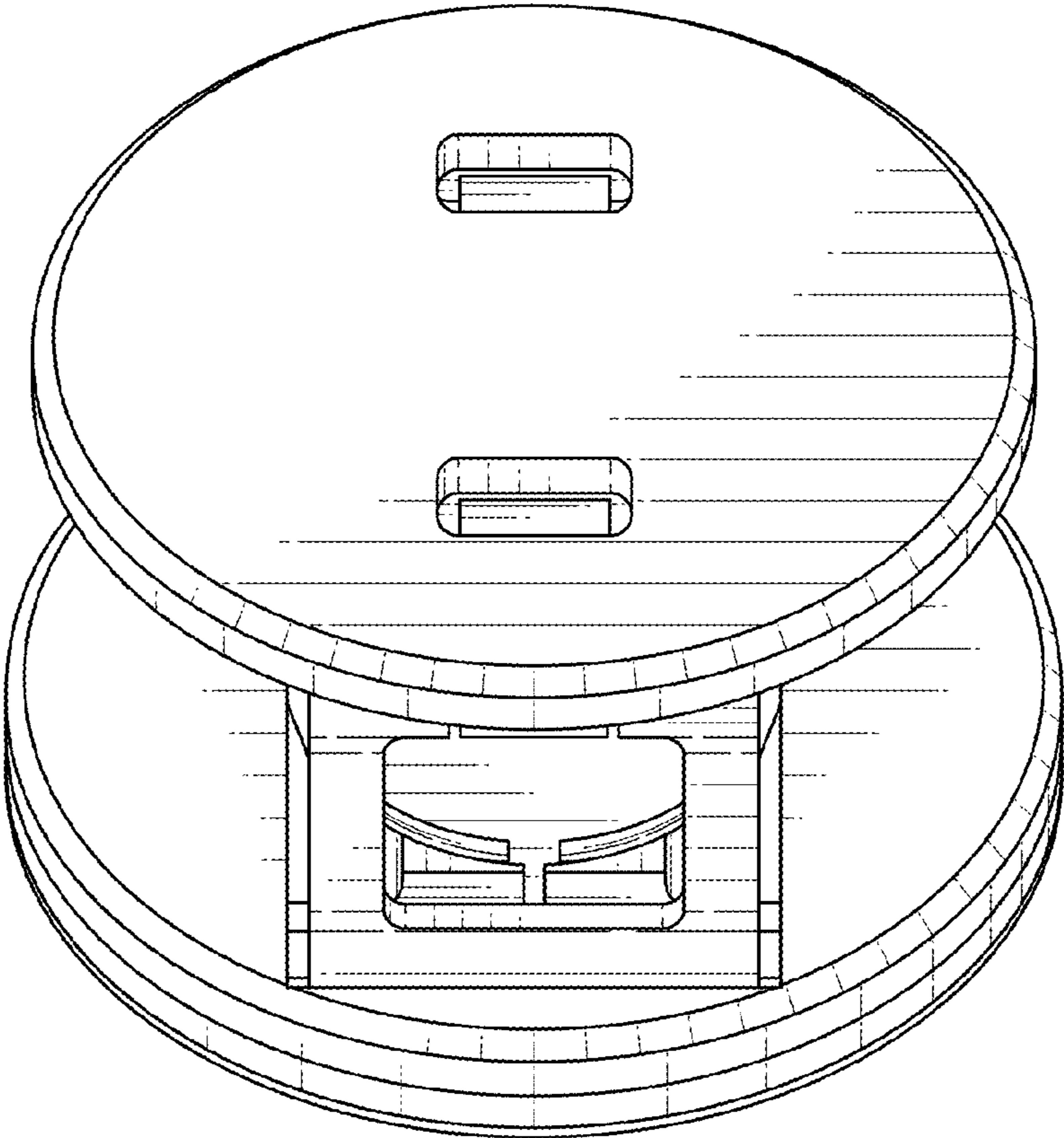


FIG. 2

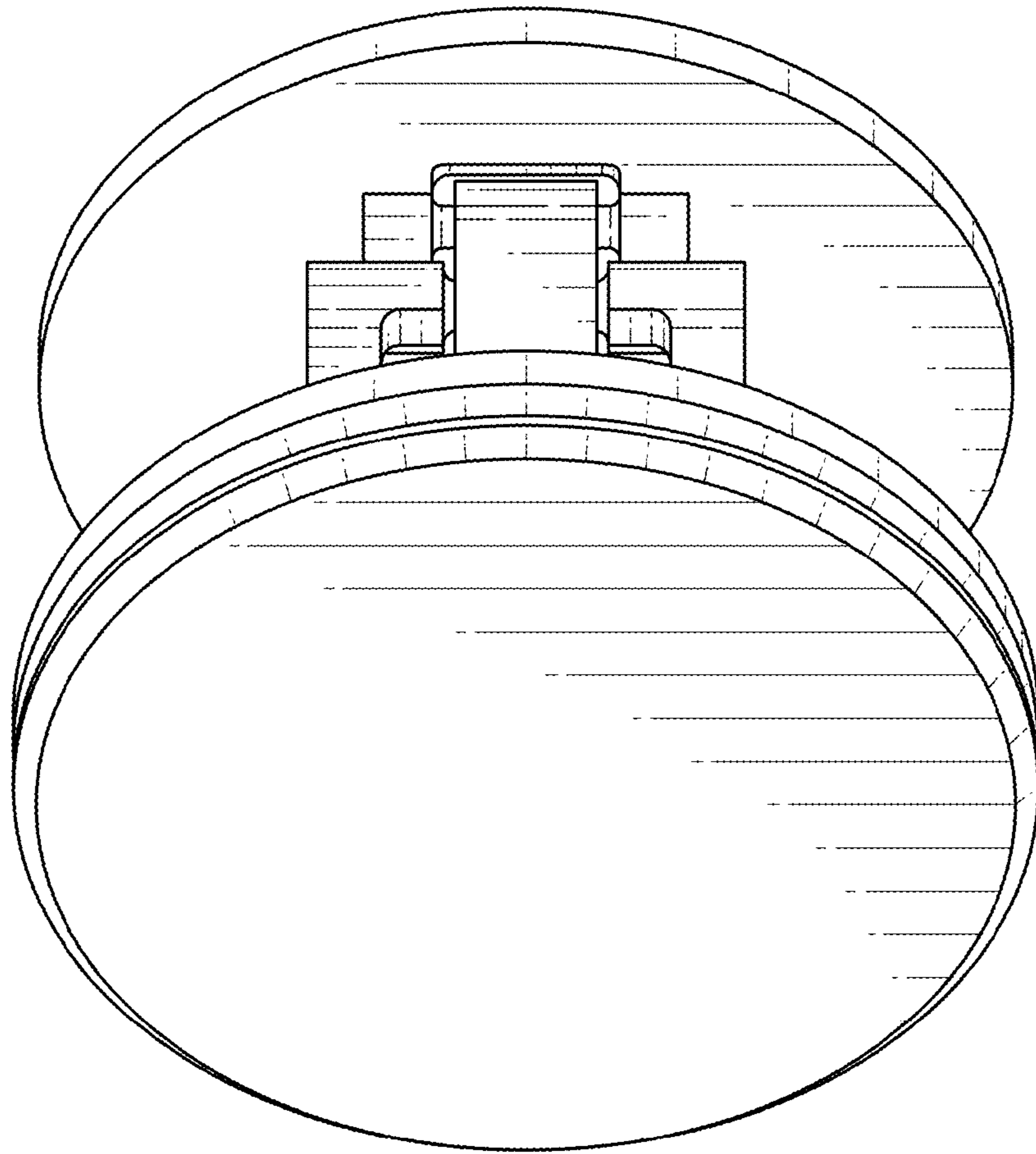


FIG. 3

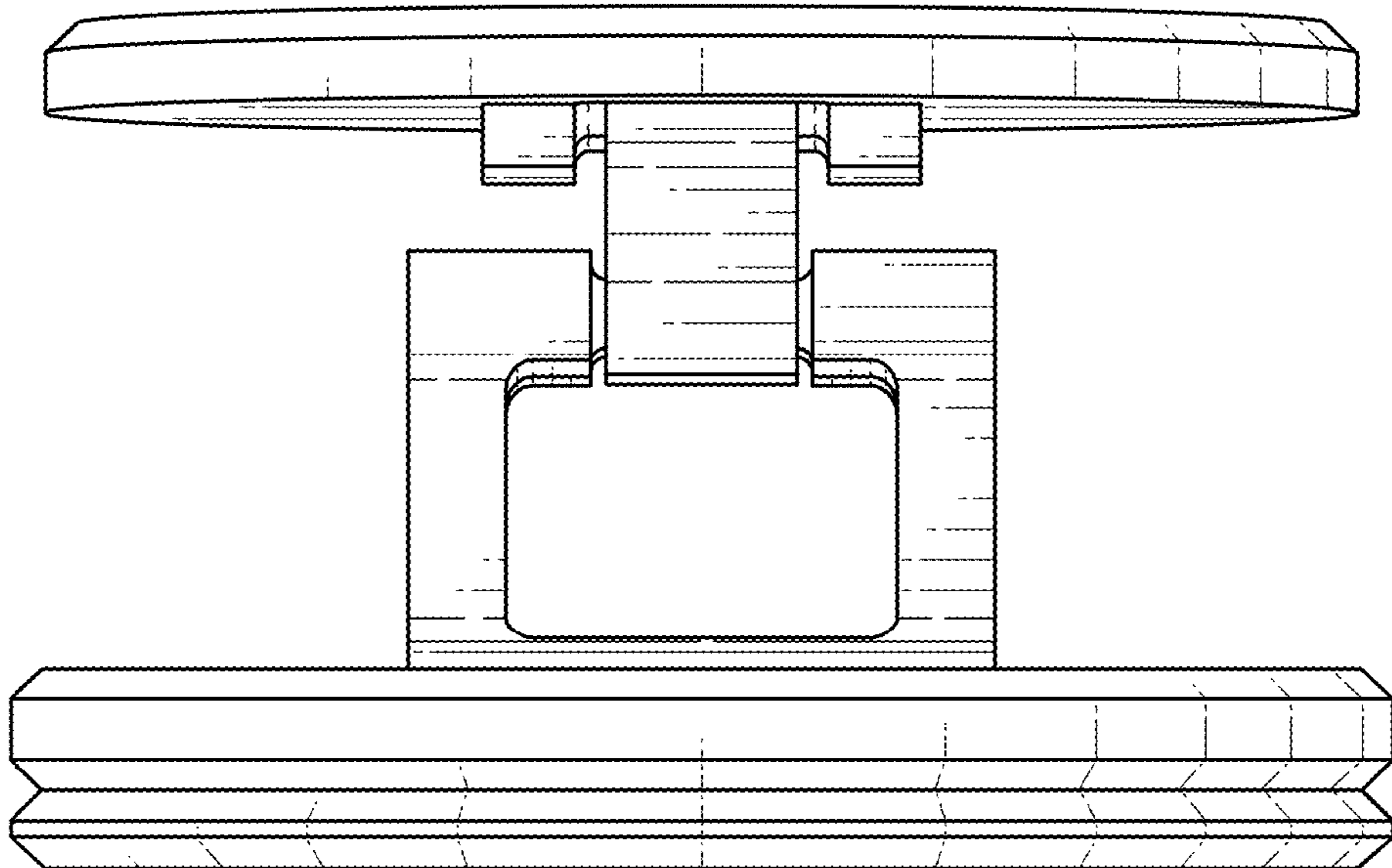


FIG. 4

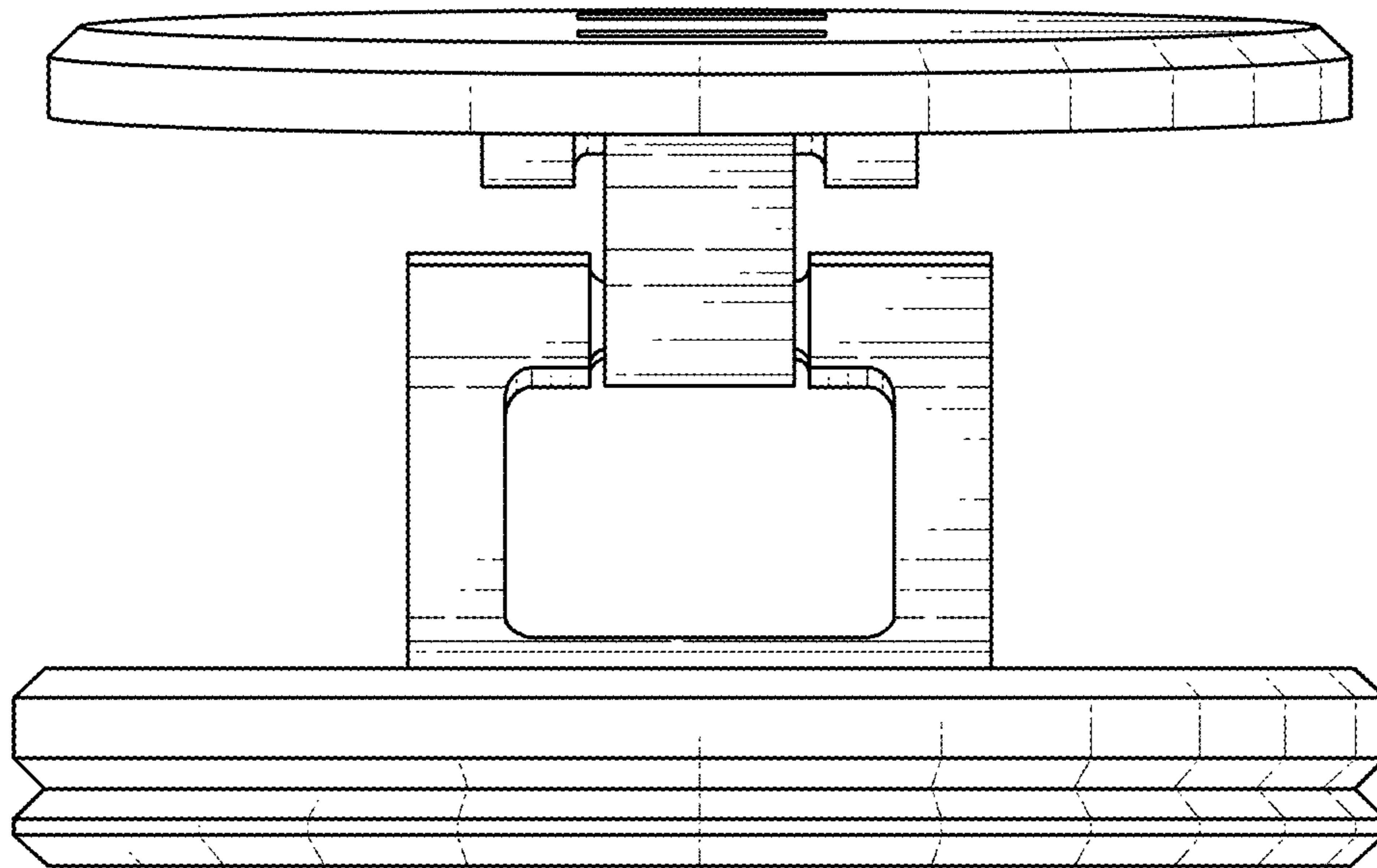


FIG. 5

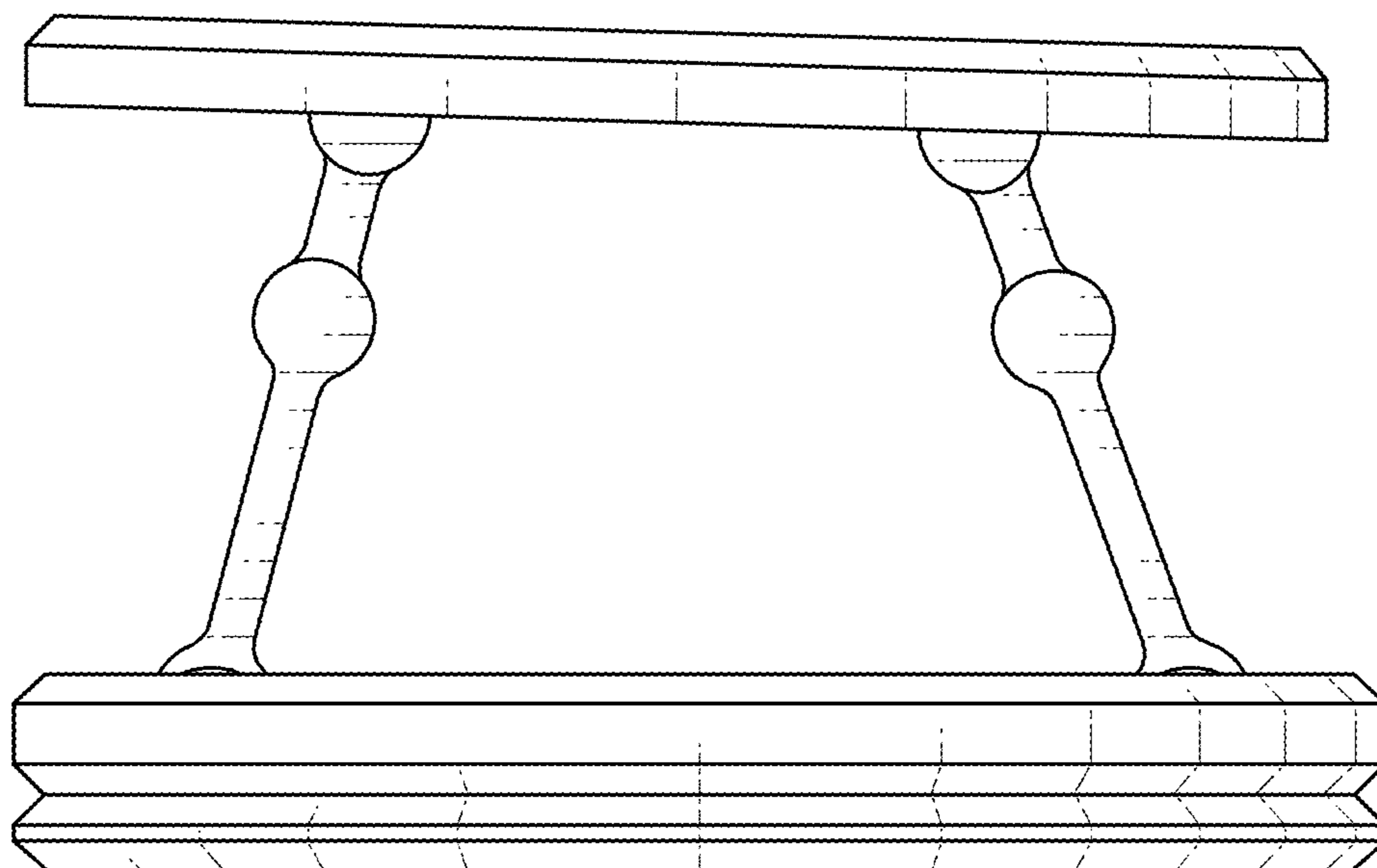


FIG. 6

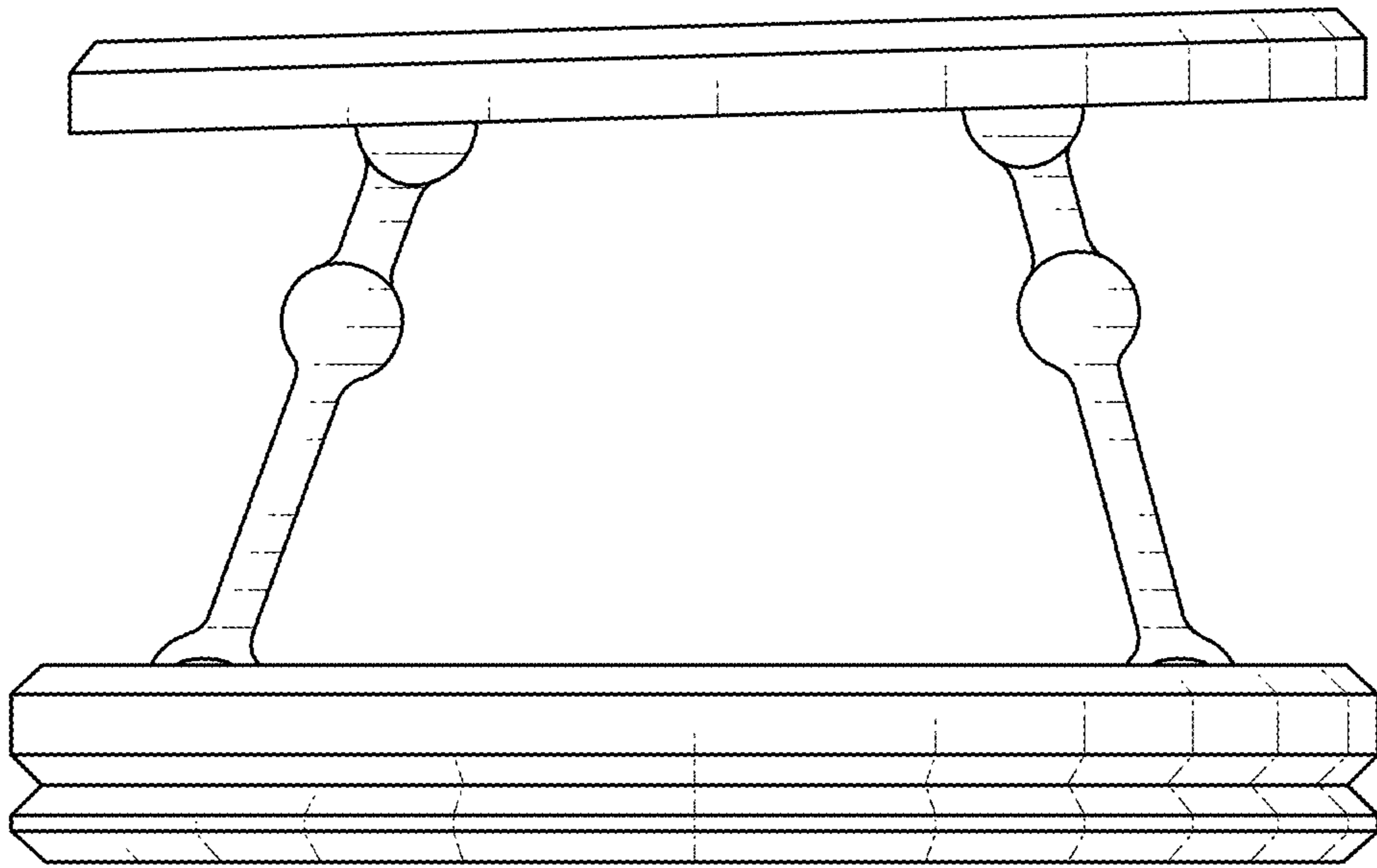


FIG. 7

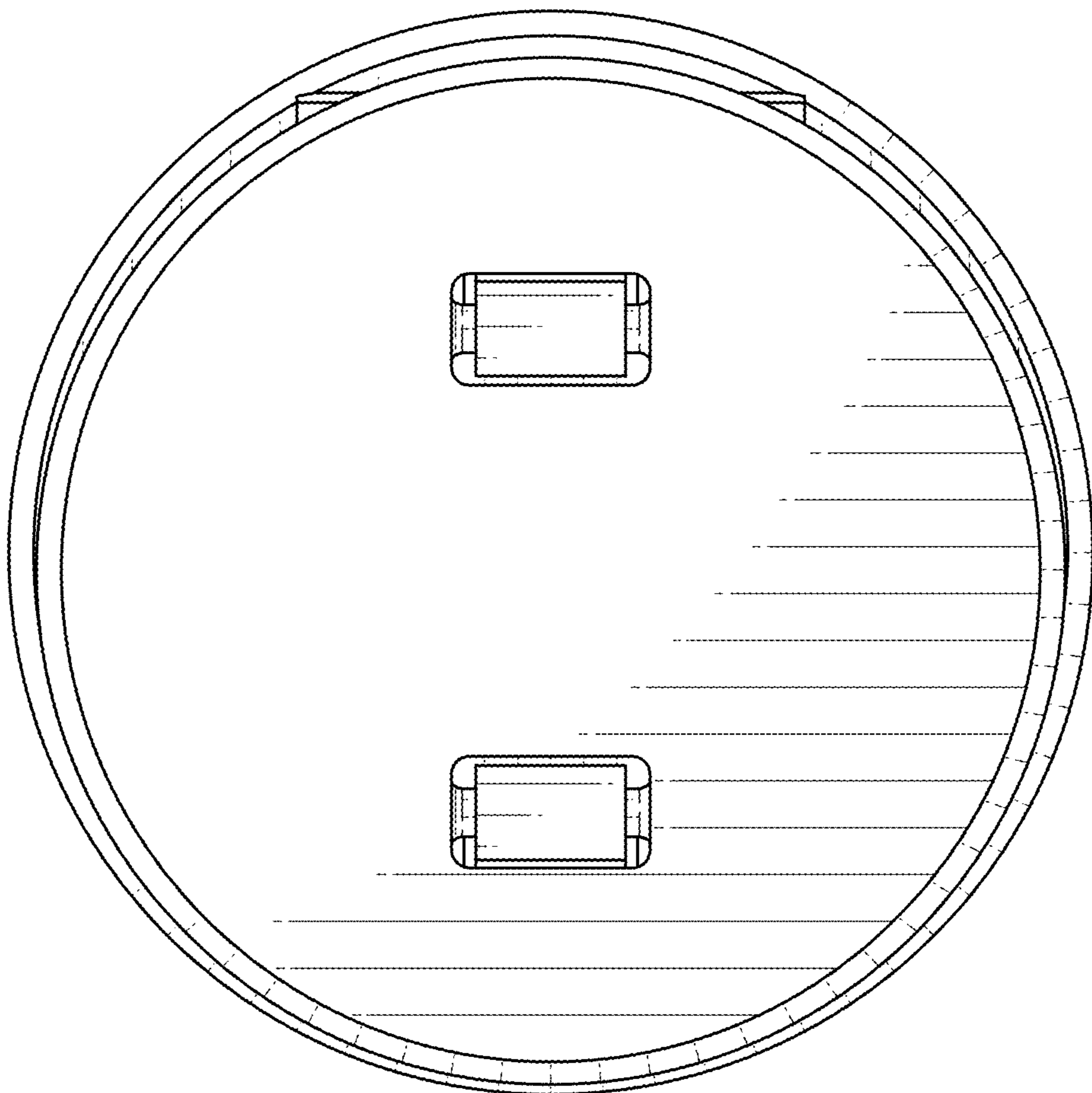


FIG. 8

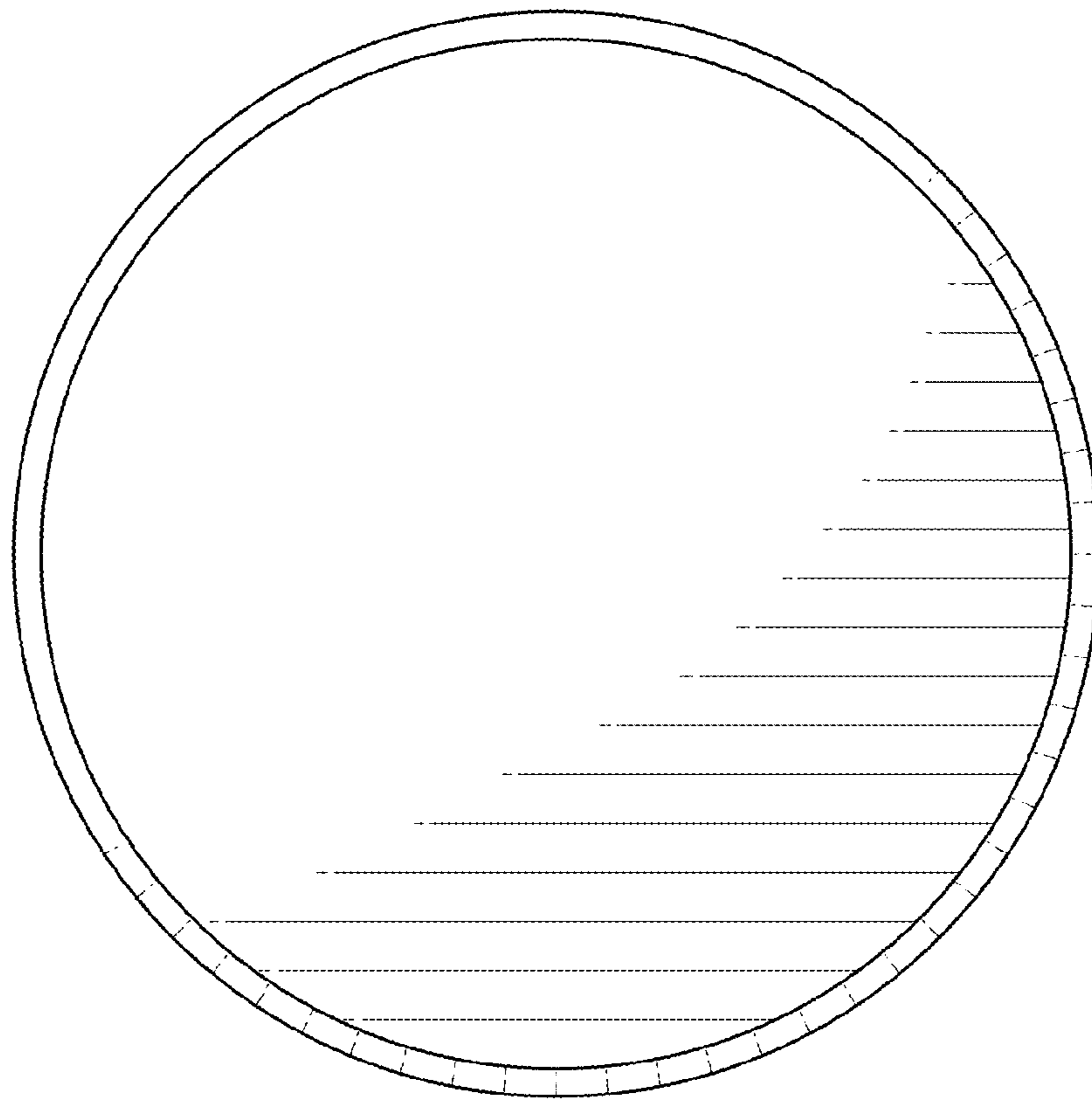


FIG. 9

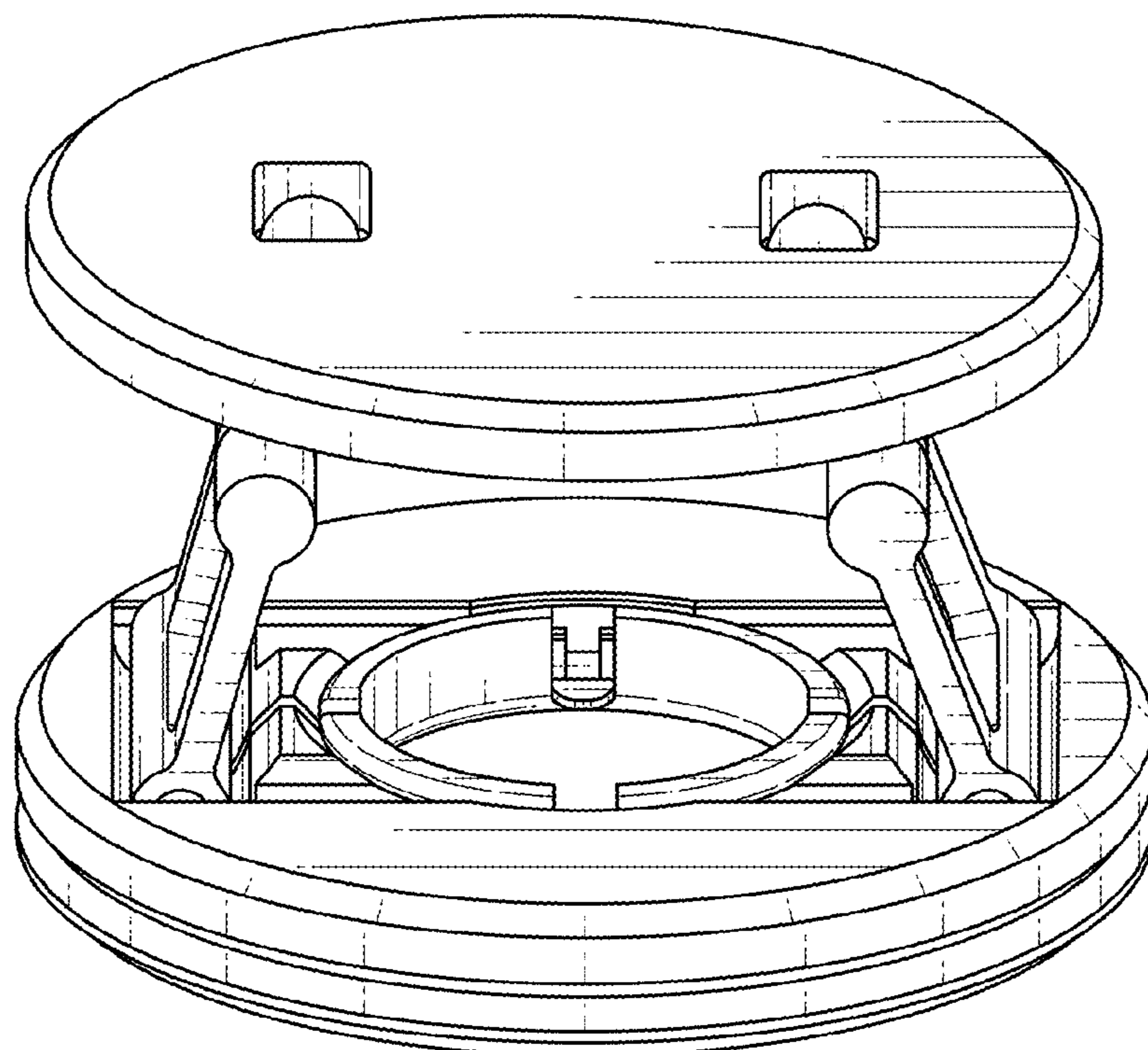


FIG. 10