



US00D921357S

(12) **United States Design Patent**
Eremita

(10) **Patent No.:** **US D921,357 S**
(45) **Date of Patent:** **** Jun. 8, 2021**

- (54) **PHONE CLIP HOLSTER**
- (71) Applicant: **Brian Eremita**, Sylmar, CA (US)
- (72) Inventor: **Brian Eremita**, Sylmar, CA (US)
- (**) Term: **15 Years**
- (21) Appl. No.: **29/692,018**
- (22) Filed: **May 21, 2019**
- (51) **LOC (13) Cl.** **03-01**
- (52) **U.S. Cl.**
USPC **D3/218**
- (58) **Field of Classification Search**
USPC D3/218; D14/250, 253–254, 217, 224,
D14/238.1, 299, 434, 447, 451–452, 483;
D12/415–416; D16/242, 245
CPC A45F 2200/0516; A45F 2200/0525; B60R
11/00; B60R 11/02; B60R 11/0241; B60R
11/0252; B60R 1/0266; H04M 1/026;
H04M 1/0266; H04B 1/3877; H05K
5/0204; F16M 13/02; F16M 13/022;
F16M 13/04; F16M 11/04; F16M 11/041;
F16B 2/12; H01F 7/0252; G03B 17/561;
G03B 17/563
See application file for complete search history.

(56) **References Cited**

U.S. PATENT DOCUMENTS

D565,290 S *	4/2008	Brandenburg	D3/218
D629,193 S *	12/2010	Liu	D3/218
D644,428 S *	9/2011	Feng	D3/218
D657,137 S *	4/2012	Weller	D3/218
D683,136 S *	5/2013	Wilson	D3/218
D685,362 S *	7/2013	Murchison	D14/250
D685,990 S *	7/2013	Zhang	D3/218
D689,853 S *	9/2013	Smith	D14/253
D719,144 S *	12/2014	Eulette	D14/250
D768,121 S *	10/2016	Ormsbee	D14/250
D770,171 S *	11/2016	Lai	D3/218
D817,315 S *	5/2018	Dickie	D14/250

D853,375 S *	7/2019	Jeong	D14/250
D854,314 S *	7/2019	Burns	D3/218
D869,150 S *	12/2019	Breitner	D3/218
D879,185 S *	3/2020	Guzik	D16/242
D881,868 S *	4/2020	Zhang	D14/253
D886,816 S *	6/2020	Suzuki	D14/253
D907,020 S *	1/2021	Han	D14/250
D909,048 S *	2/2021	de Jonge	D3/215
2008/0298026 A1 *	12/2008	Wang	G06F 1/163 361/728
2012/0325882 A1 *	12/2012	Tages	A45F 5/021 224/676
2019/0215387 A1 *	7/2019	Chiang	G06F 1/1656

OTHER PUBLICATIONS

Cisco 8821 Holster Case with Belt and Pocket Clip (CP-HOLSTER-8821=) . . . https://www.metrolinedirect.com/cisco-8821-holster-case-with-belt-and-pocket-clip.html?utm_source=googlepepla&utm_medium=adwords&id=794373349122&gclid=EAAlaQobChMlgZCSvrvy7wIVgYffCh2SfwQjEAQYAiABEgLvOfD_BwE (Year: 2021).*

(Continued)

Primary Examiner — Catherine R Oliver-Garcia
(74) *Attorney, Agent, or Firm* — Ross Brandborg

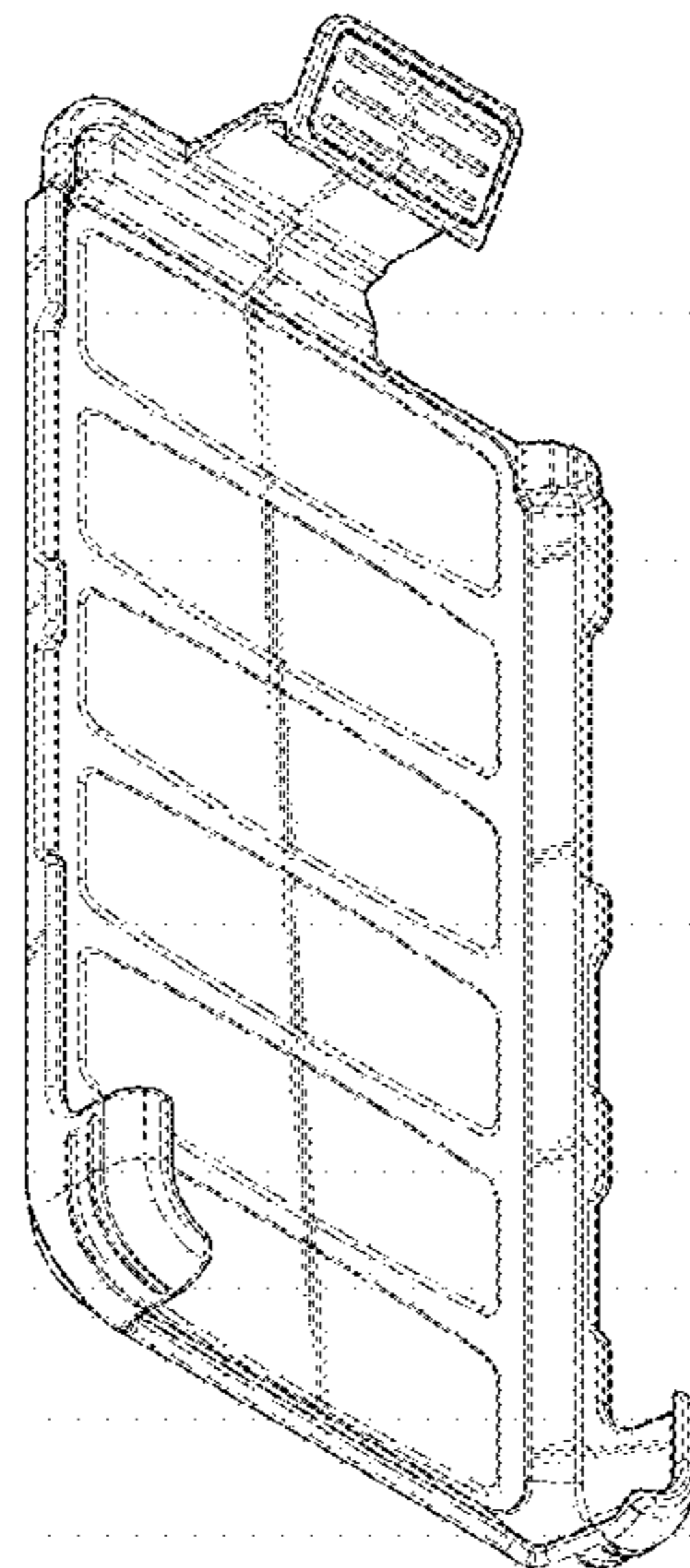
(57) **CLAIM**

The ornamental design for a phone clip holster, as shown and described.

DESCRIPTION

FIG. 1 is a front isometric view of a phone clip holster; FIG. 2 is a rear isometric view thereof; FIG. 3 is a front elevation view thereof; FIG. 4 is a right side elevation view thereof; FIG. 5 is a top plan view thereof; FIG. 6 is a rear elevation view thereof; FIG. 7 is a right side elevation view thereof; and, FIG. 8 is a bottom plan view thereof.

1 Claim, 8 Drawing Sheets



(56)

References Cited

OTHER PUBLICATIONS

Ewirelessgear HOL-KYODURAMAX for Sprint Kyocera Duramax E3255 Swivel Belt Clip Holster Case—Black . . . <https://www.google.com/shopping/product/4294388343214847698?> (Year: 2016) q=Cell+phone+pocket+clip&prds=epd:13762451606706815129,prmr:3,eto:13762451606706815129_1,rto:1,tpim:COjk_JCwkenWYhDD_IP0msqfjsgBGPDM7QliA1VTR.*

* cited by examiner

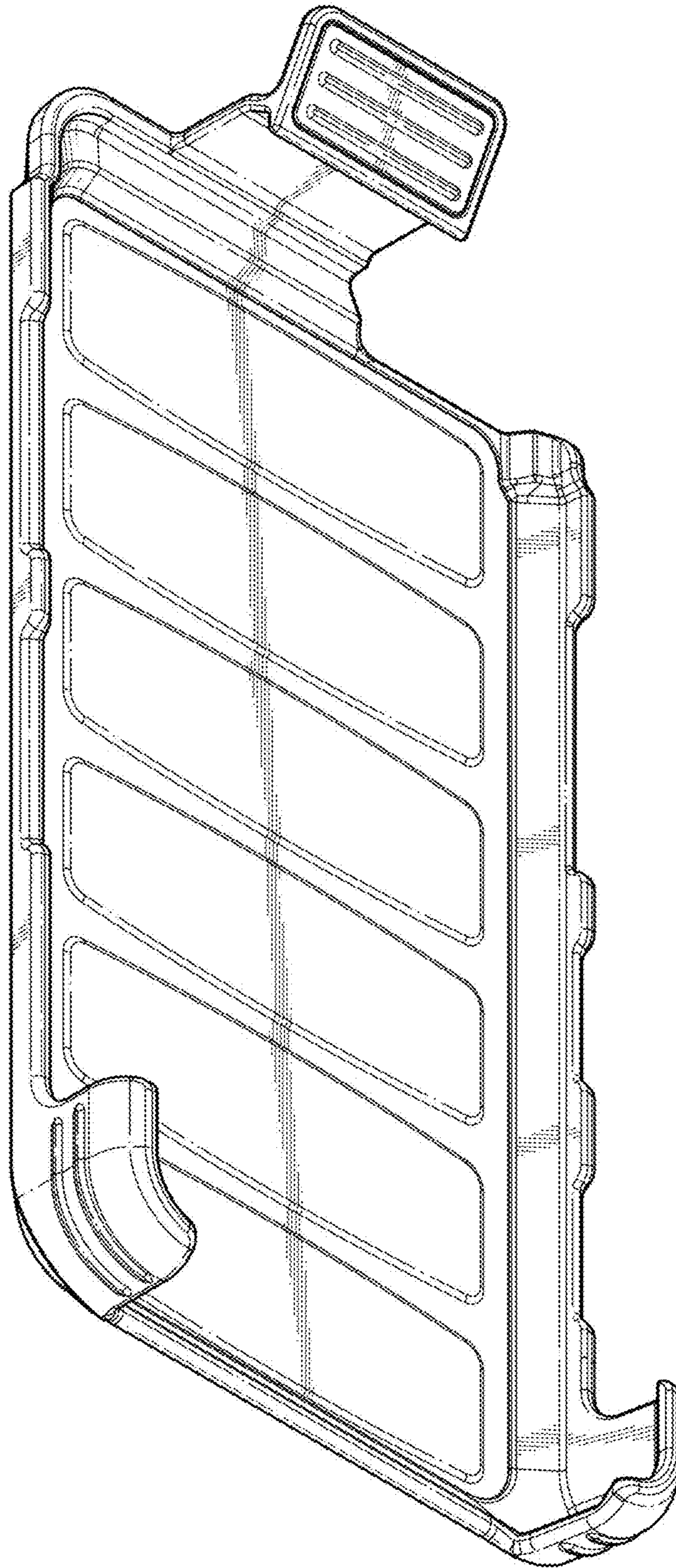


FIG. 1

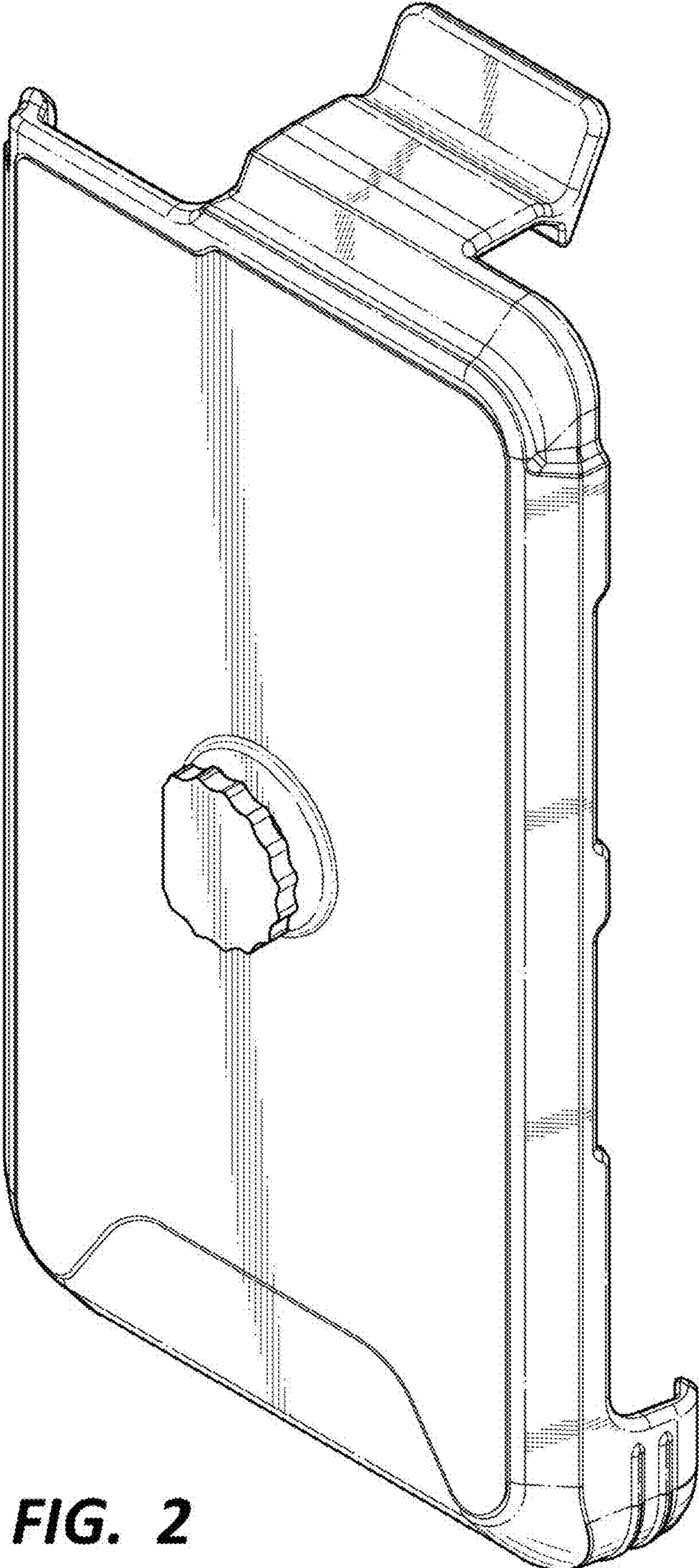


FIG. 2

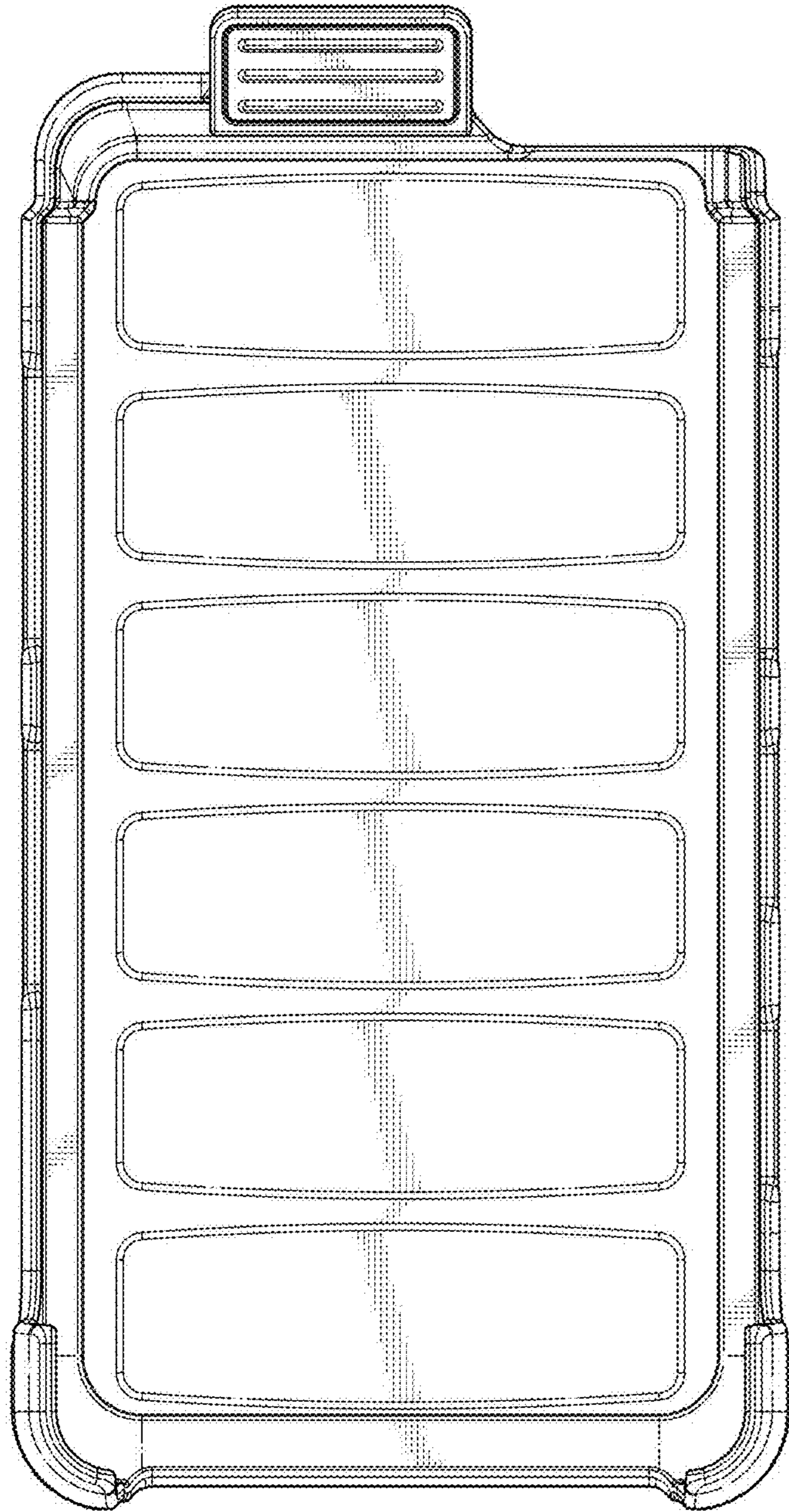


FIG. 3

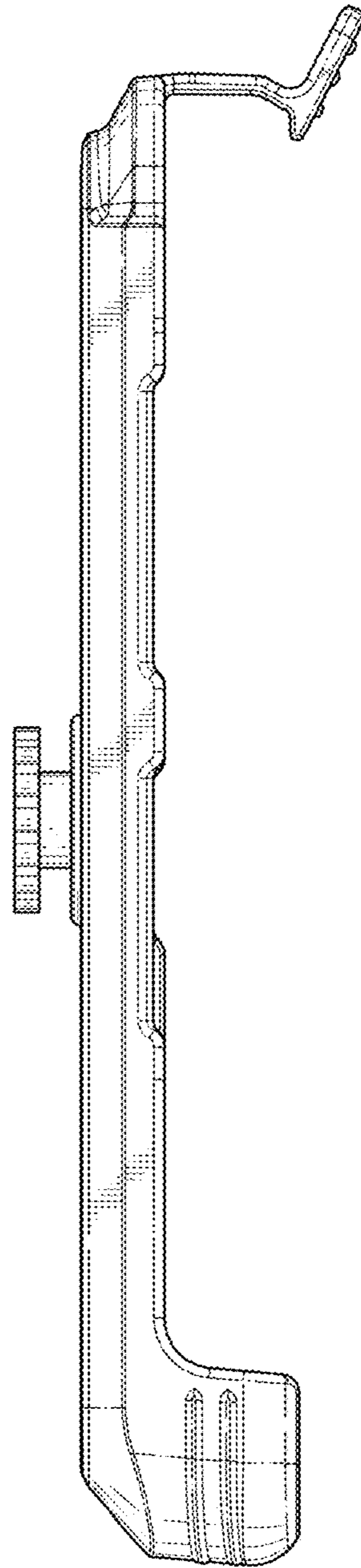


FIG. 4

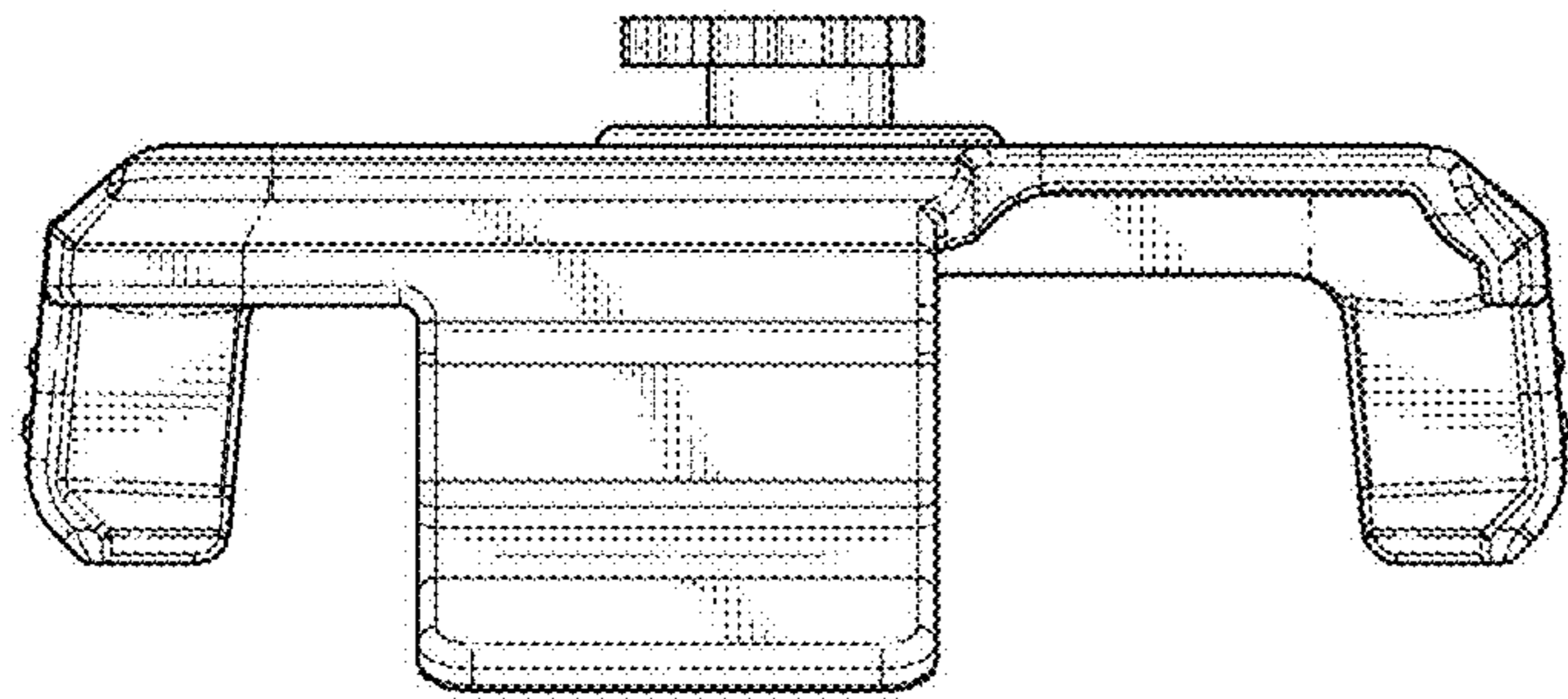


FIG. 5

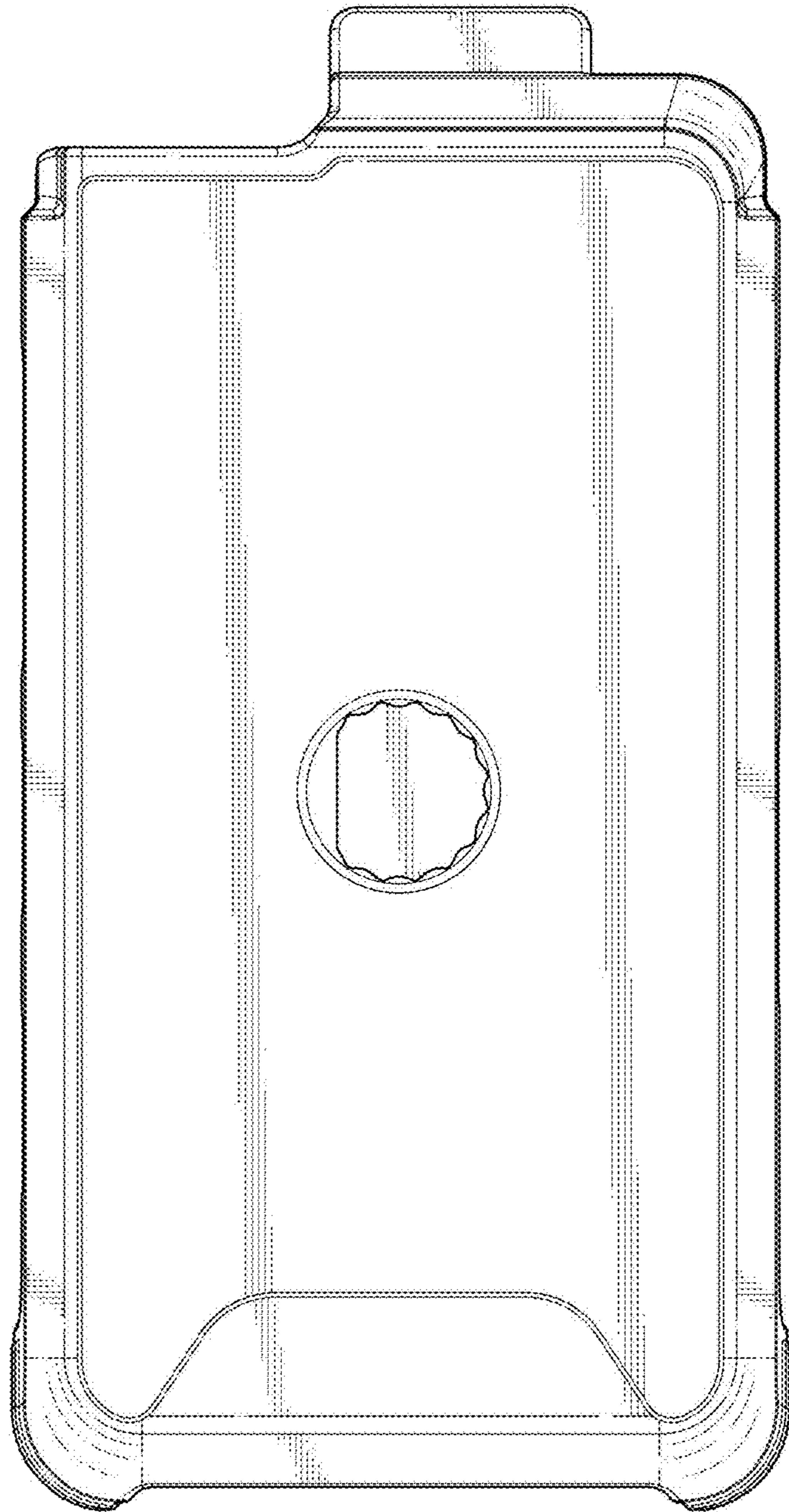


FIG. 6

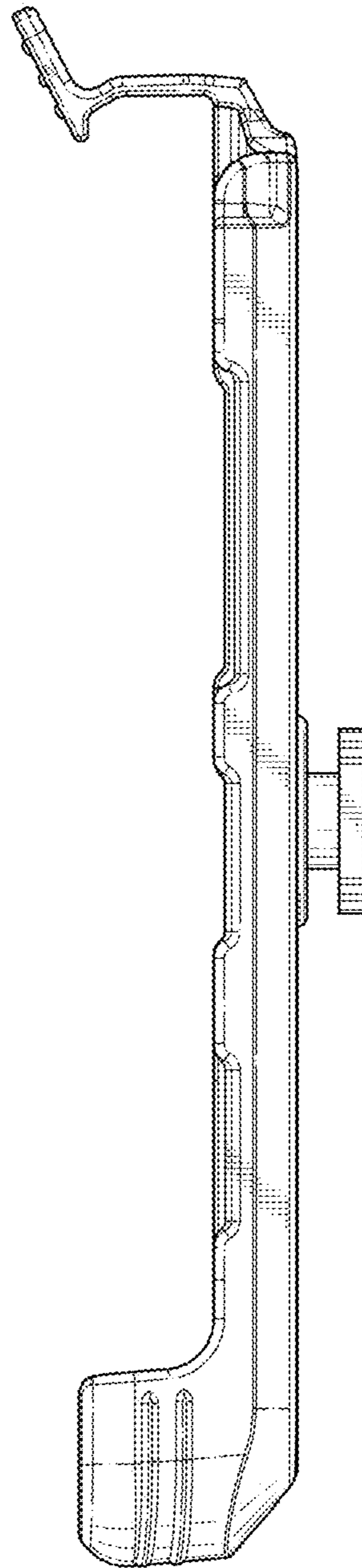


FIG. 7

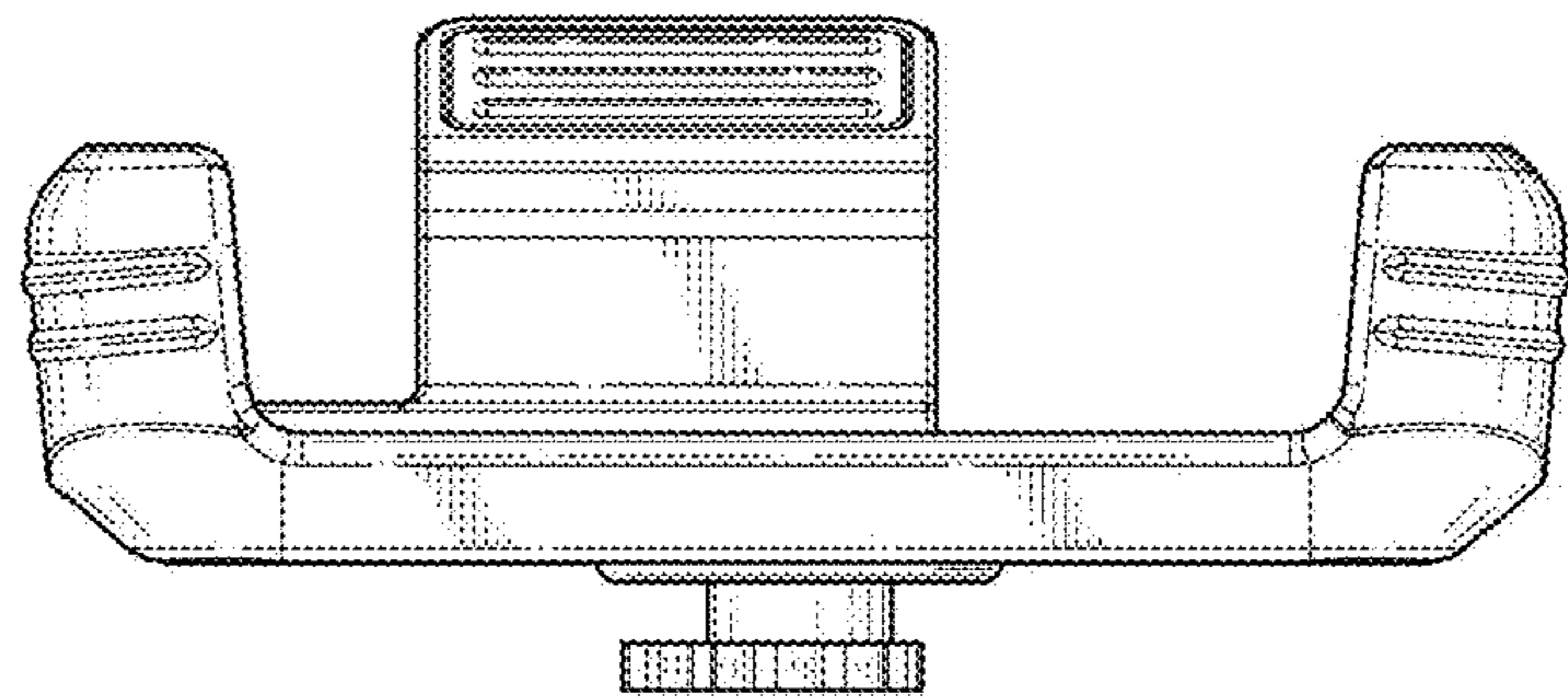


FIG. 8