



US00D921356S

(12) **United States Design Patent** (10) **Patent No.:** **US D921,356 S**
Cowan et al. (45) **Date of Patent:** **** Jun. 8, 2021**

(54) **BACKPACK** D635,762 S * 4/2011 Fahim D3/217
8,413,808 B1 * 4/2013 Tong A45F 3/04
206/305
(71) Applicants: **John Cowan**, Rome, GA (US); D858,093 S * 9/2019 Cunha D3/233
Matthew Nuccio, Bethpage, NY (US) 2002/0139820 A1 * 10/2002 Godshaw A45F 3/04
224/153
(72) Inventors: **John Cowan**, Rome, GA (US); 2013/0026726 A1 * 1/2013 Thomas A45C 5/14
Matthew Nuccio, Bethpage, NY (US) 280/43.1

(**) Term: **15 Years**

OTHER PUBLICATIONS

(21) Appl. No.: **29/683,340**

Cortex Toys Block Pack With Building Plate, posted at amazon.com, no posting date, retrieved Jan. 28, 2020, online, URL:https://www.amazon.com/Cortex-Toys-Block-Building-Plate/dp/B07TKDH5MN (Year: 2020).*

(22) Filed: **Mar. 12, 2019**

(51) **LOC (13) Cl.** **03-01**

(52) **U.S. Cl.**

* cited by examiner

USPC **D3/217**

(58) **Field of Classification Search**

USPC D3/215–217, 232, 233, 243, 244, 246,
D3/273, 276, 289, 290, 291, 318, 321,
D3/322, 323, 326, 327

Primary Examiner — Lilyana Bekic

Assistant Examiner — Mary Shannon Malley

(74) *Attorney, Agent, or Firm* — Thomas | Horstemeyer,
LLP

CPC A45F 4/02; A45F 4/08; A45F 2200/05;
A45F 2200/0525; A45F 3/02; A45F 3/04;
A45F 3/042; A45F 3/045; A45F 3/047;
A45F 3/10; A45F 3/14; A45C 13/08;
A45C 13/083; A45C 13/1046; A45C
2003/002; A01K 1/0035; A01K 1/0254;
A01K 1/0272; A01K 1/029

See application file for complete search history.

(57) **CLAIM**

We claim the ornamental design for a backpack, as shown and described.

DESCRIPTION

(56) **References Cited**

U.S. PATENT DOCUMENTS

D323,237 S * 1/1992 Zoltie D2/831
D390,352 S * 2/1998 Lane D3/216
D403,854 S * 1/1999 Marcusson D3/217
D418,287 S * 1/2000 Moor D3/201
D471,353 S * 3/2003 Ho D3/216
D485,432 S * 1/2004 Desrochers D3/214
D498,585 S * 11/2004 Darling D12/416
D506,607 S * 6/2005 Fonfeder D3/216

FIG. 1 is a perspective view of a backpack showing our new design;

FIG. 2 is a front view thereof;

FIG. 3 is a back view thereof;

FIG. 4 is a right side view thereof;

FIG. 5 is a left side view thereof;

FIG. 6 is a top view thereof;

FIG. 7 is a bottom view thereof; and,

FIG. 8 is a perspective view showing the inside of the backpack.

The broken lines depict portions of the backpack that form no part of the claimed design.

1 Claim, 7 Drawing Sheets





FIG. 1

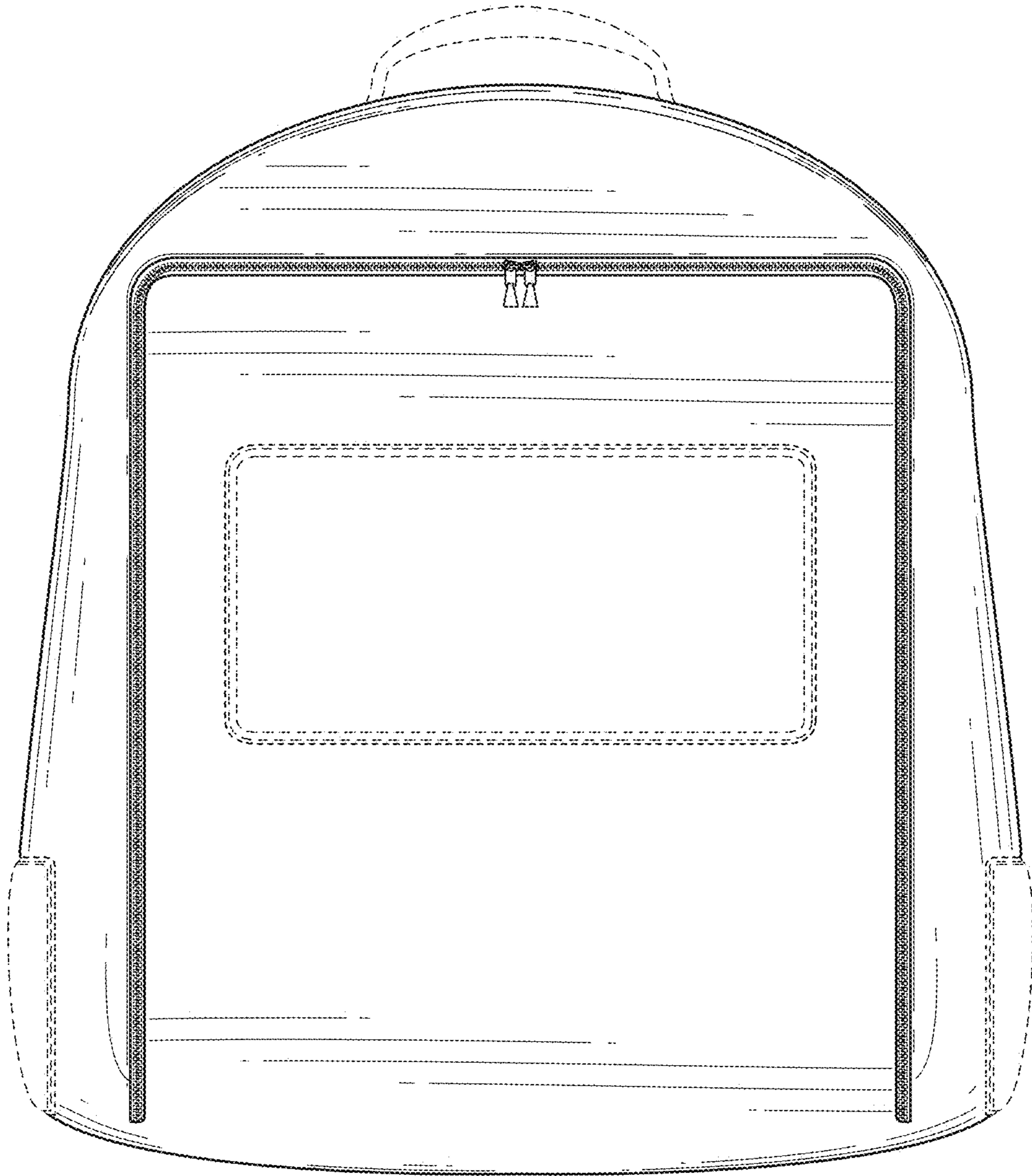


FIG. 2

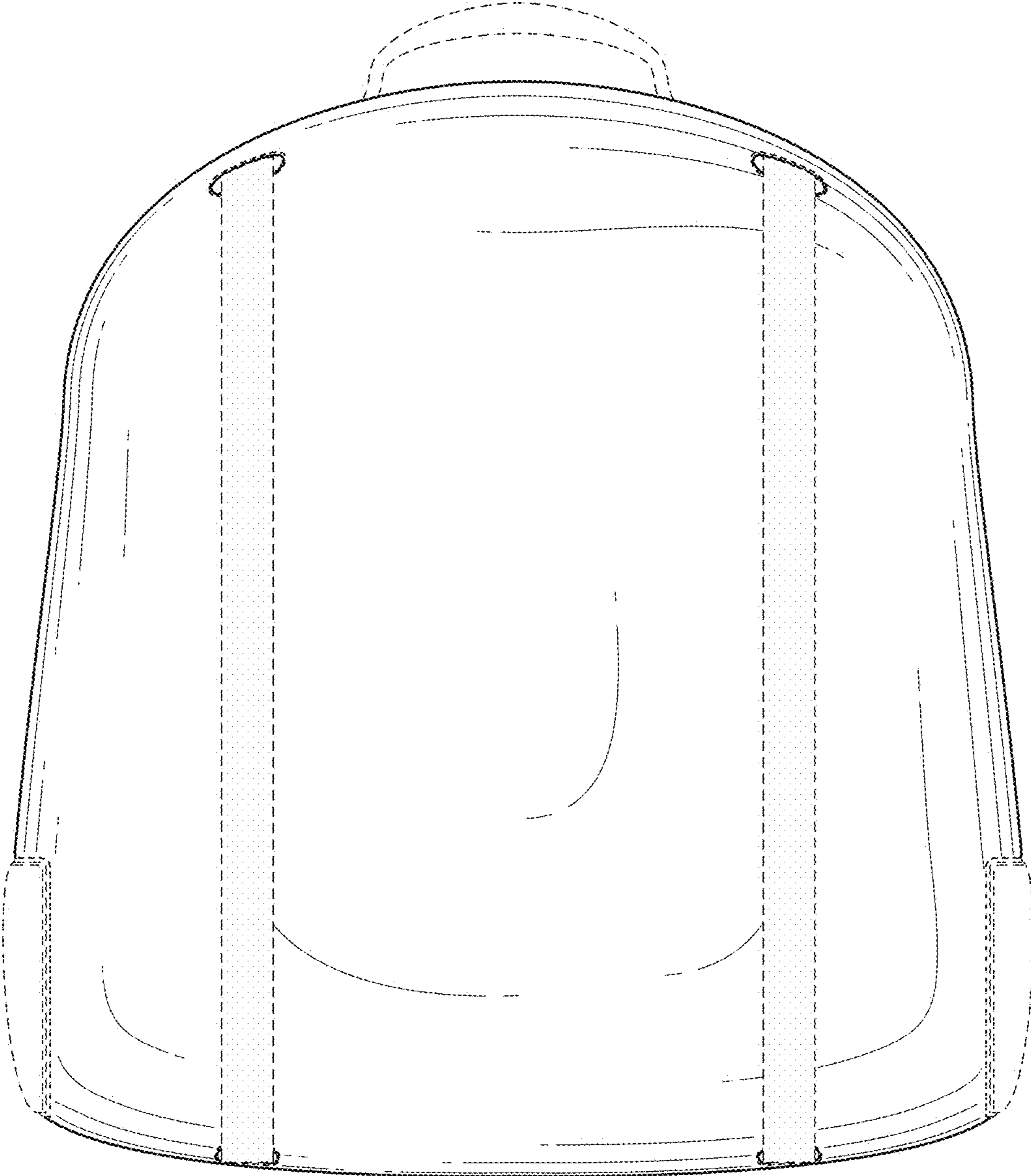


FIG. 3

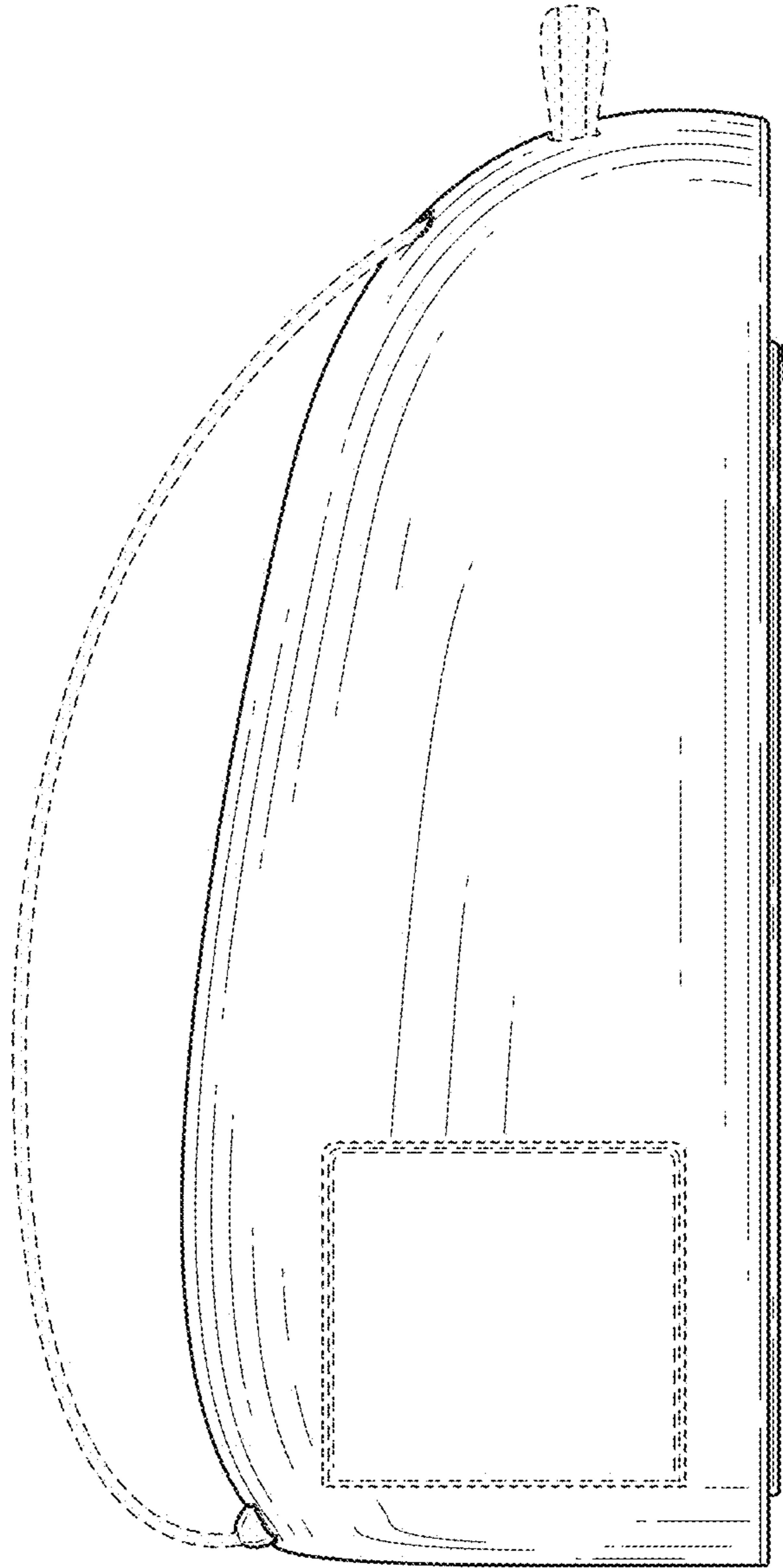


FIG. 4

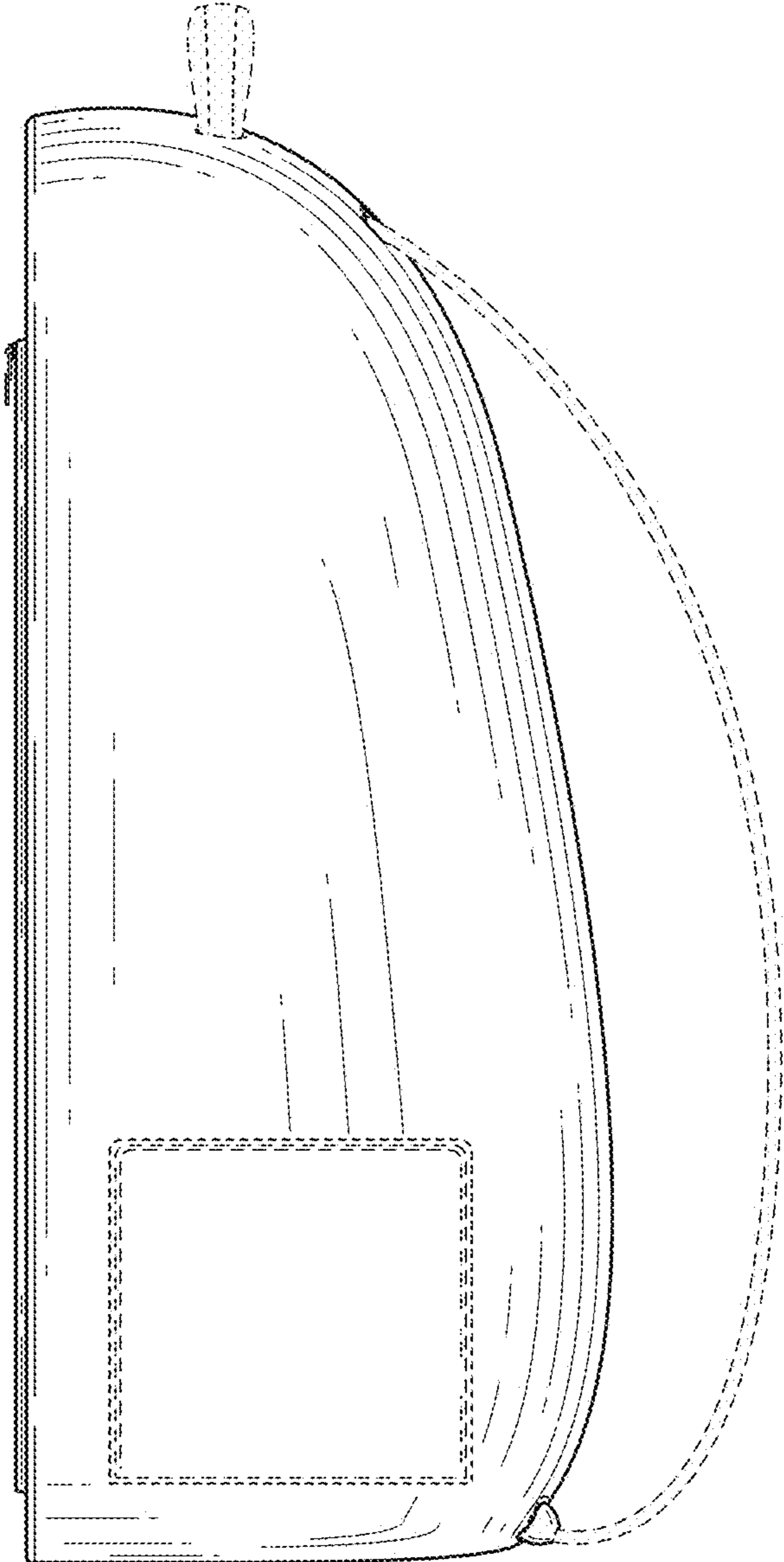


FIG. 5

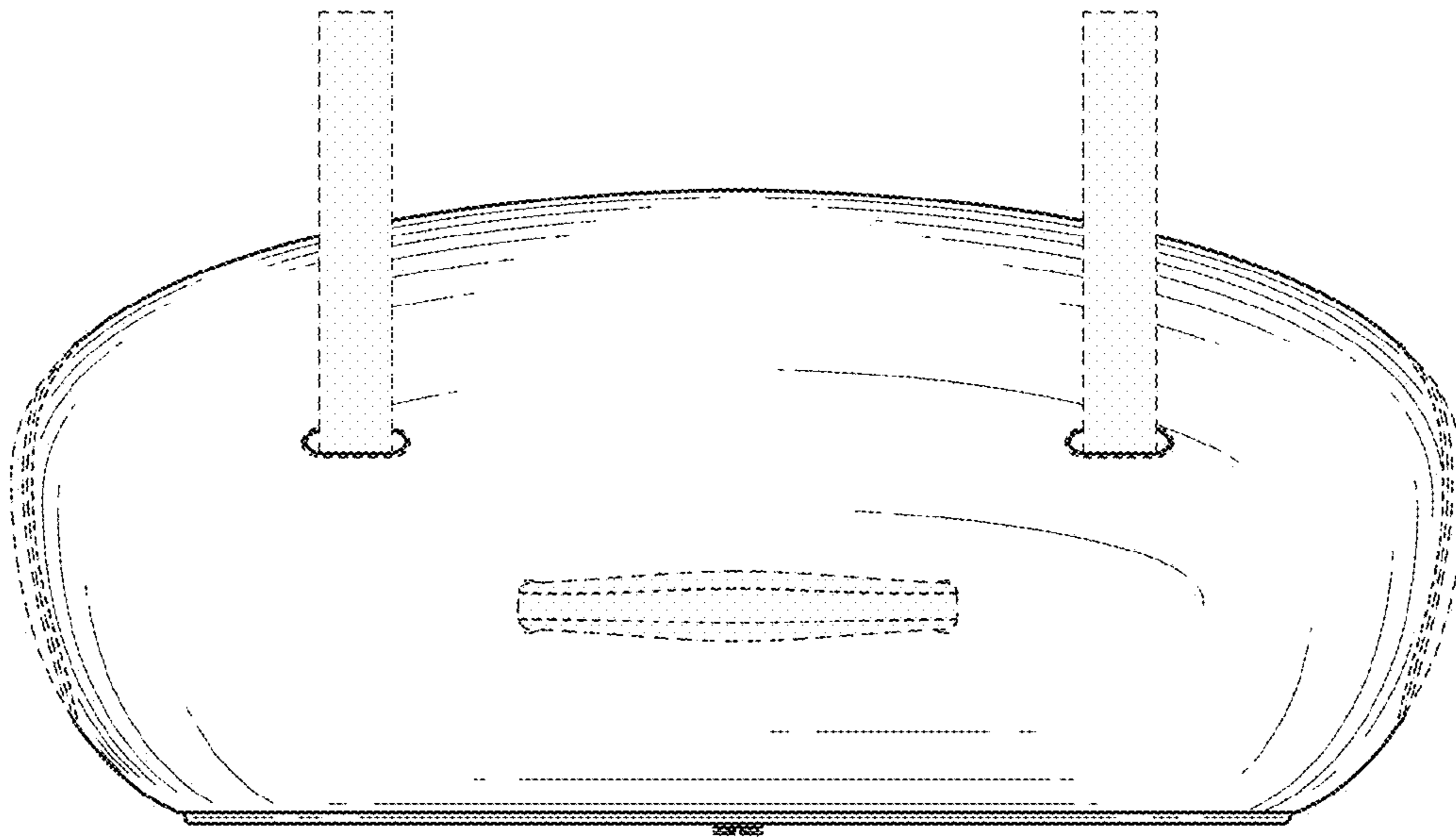


FIG. 6

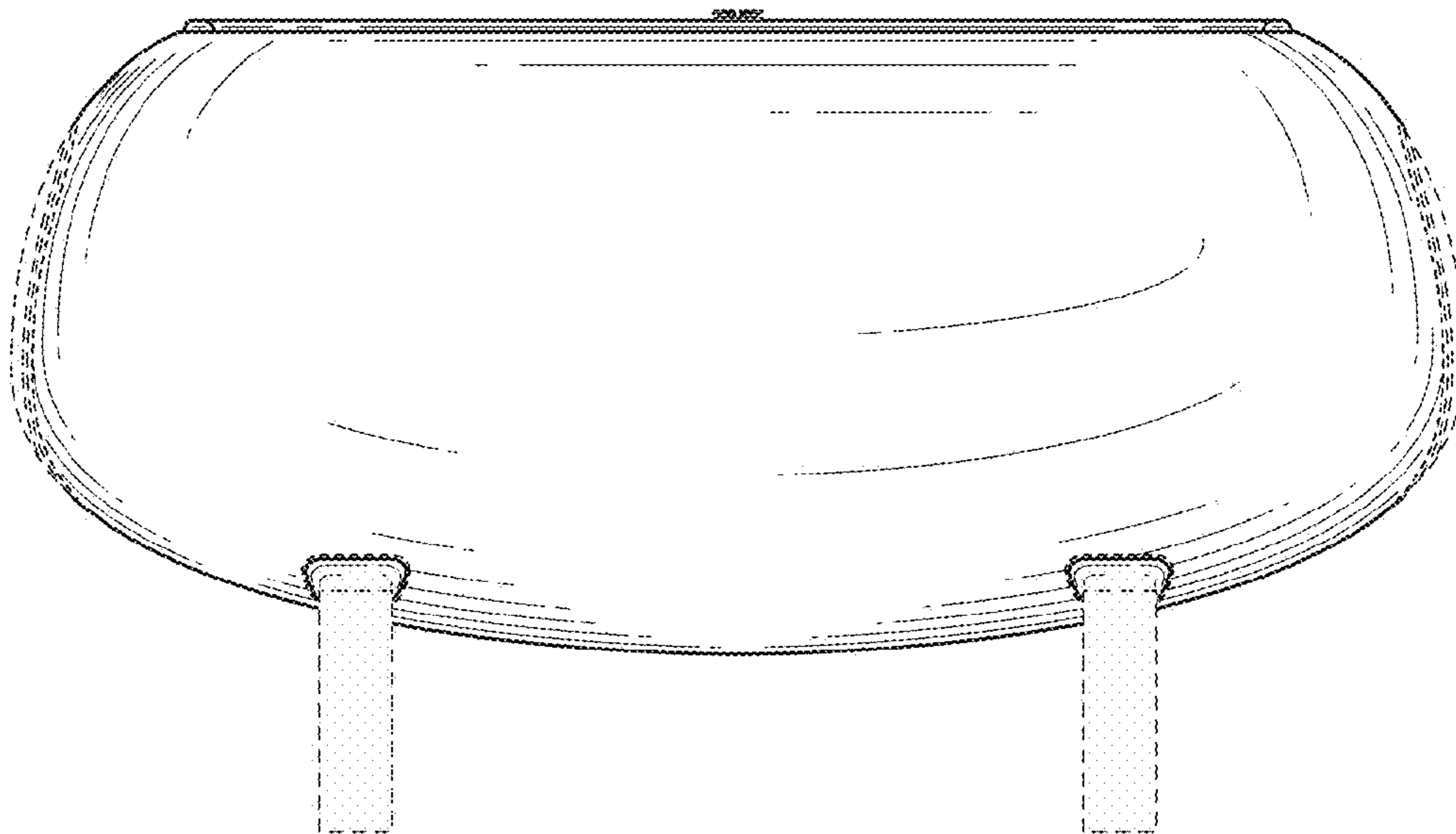


FIG. 7

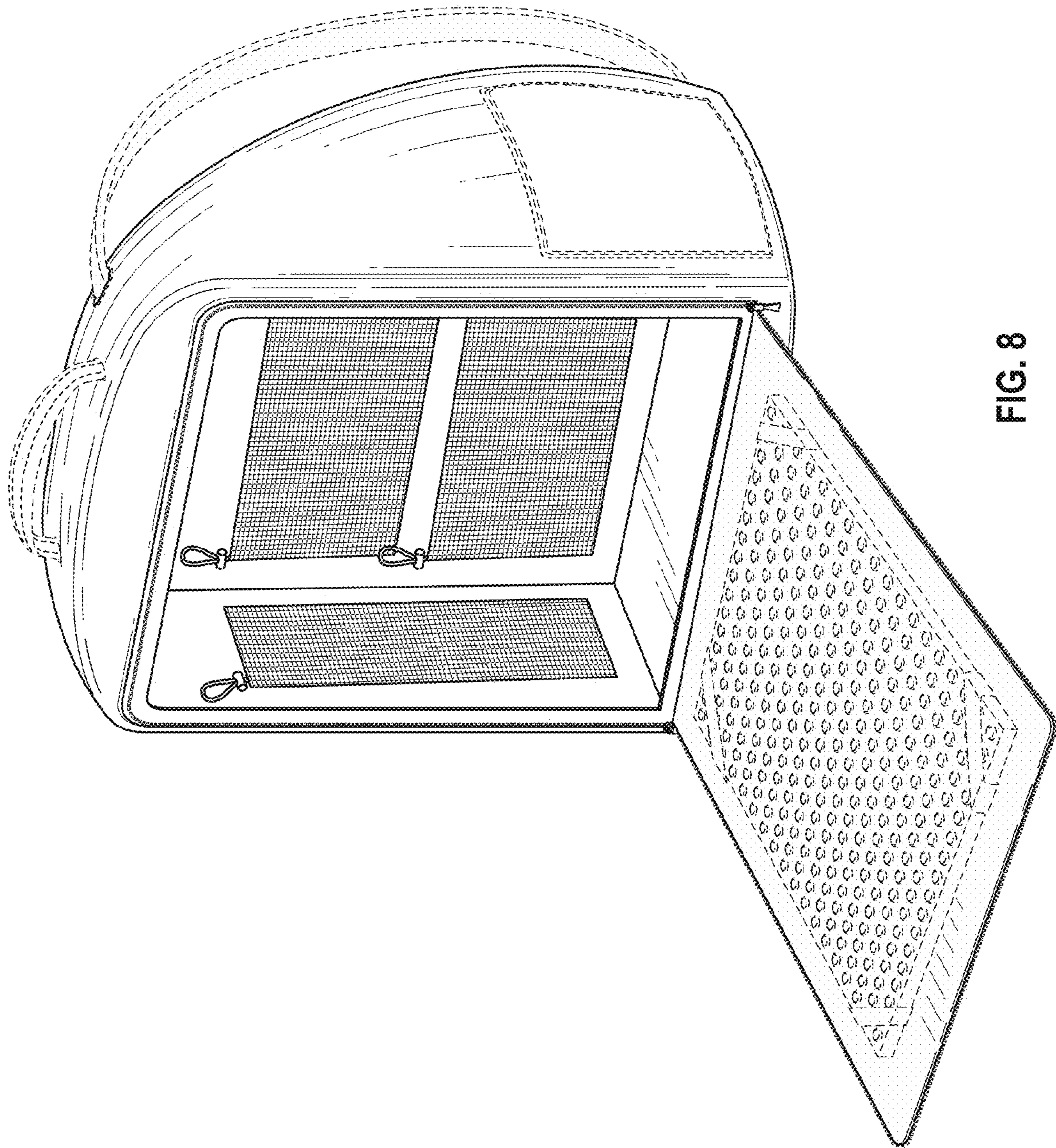


FIG. 8