



US00D921355S

(12) **United States Design Patent**  
**Galli**

(10) **Patent No.:** **US D921,355 S**

(45) **Date of Patent:** **\*\* Jun. 8, 2021**

(54) **TOOL HOLDER**

(71) Applicant: **Jane Galli**, Santa Monica, CA (US)

(72) Inventor: **Jane Galli**, Santa Monica, CA (US)

(\*\*) Term: **15 Years**

(21) Appl. No.: **29/672,859**

(22) Filed: **Dec. 10, 2018**

(51) **LOC (13) Cl.** ..... **03-01**

(52) **U.S. Cl.**  
USPC ..... **D3/205**

(58) **Field of Classification Search**  
USPC ..... D3/205, 206  
CPC ... B65D 3/00; B65D 3/06; B65D 5/00; B65D  
5/42

See application file for complete search history.

(56) **References Cited**

**U.S. PATENT DOCUMENTS**

3,087,640 A \* 4/1963 Blaser ..... A45F 3/20  
220/6  
4,212,232 A \* 7/1980 Lee ..... B65D 85/816  
493/152

4,382,861 A \* 5/1983 Adeboi ..... A47J 31/02  
210/497.2  
5,842,634 A \* 12/1998 Kieler ..... B65D 3/06  
229/405  
2011/0031242 A1\* 2/2011 Lee ..... A45F 3/20  
220/6  
2011/0174832 A1\* 7/2011 Dickson ..... B65D 3/06  
220/752  
2017/0021205 A1\* 1/2017 Delatorre ..... A41D 13/11

\* cited by examiner

*Primary Examiner* — Charles D Hanson

(57) **CLAIM**

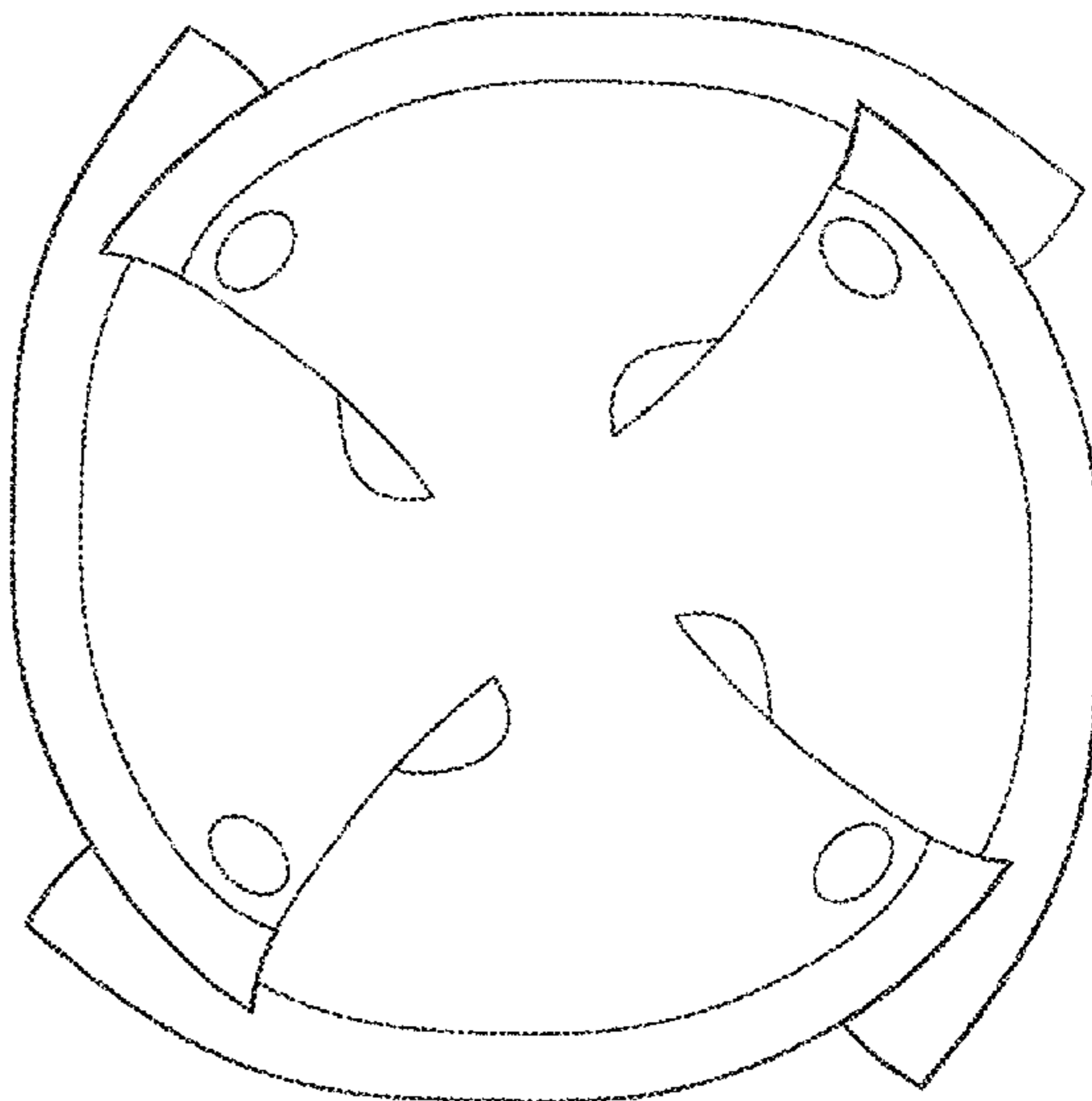
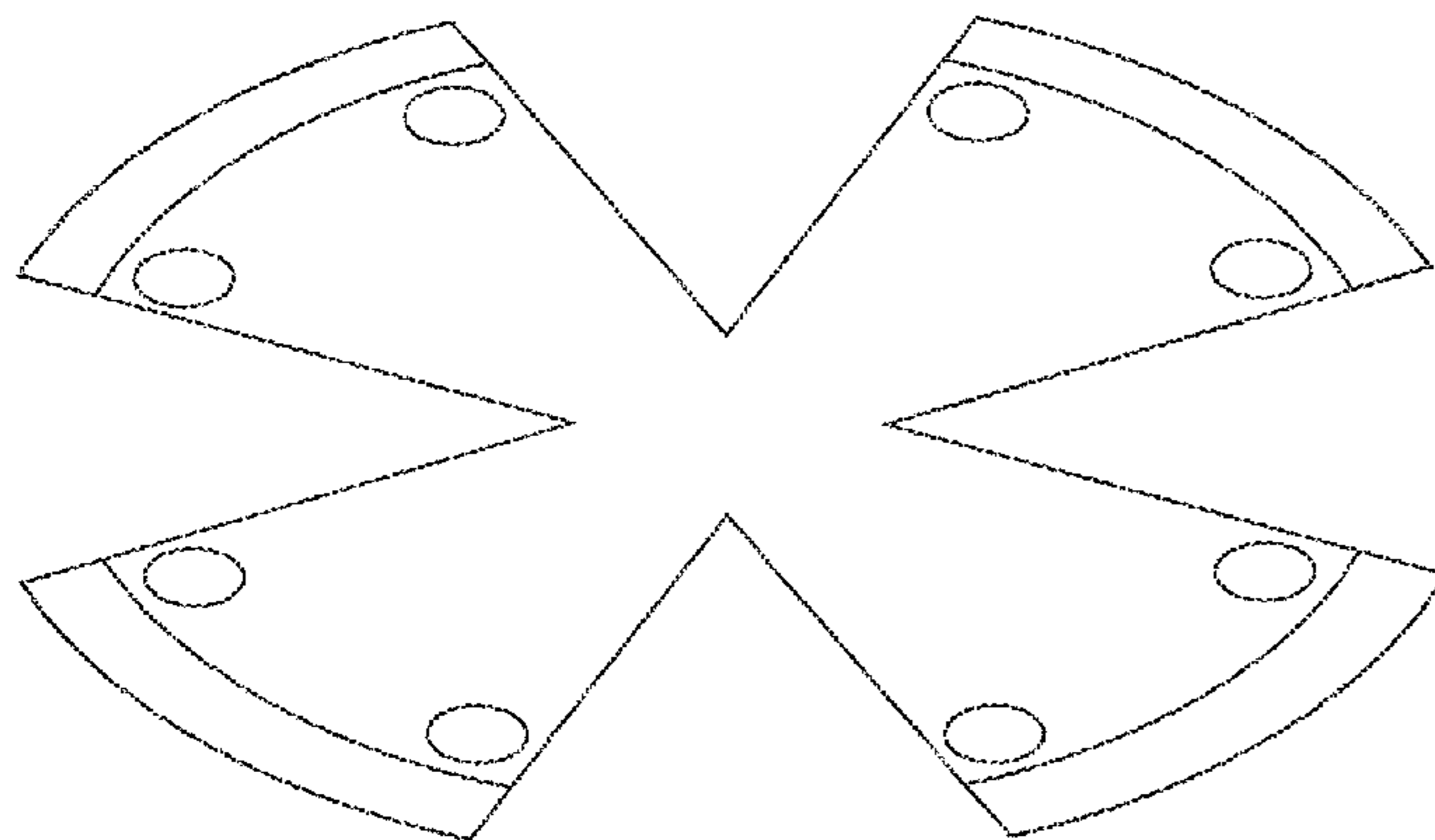
The ornamental design for a tool holder, as shown and described.

**DESCRIPTION**

FIG. 1 is a bottom view of the claimed tool holder in its open form;  
FIG. 2 is a perspective top view thereof;  
FIG. 3 is a top view of the claimed tool holder in its closed form; and,  
FIG. 4 is a side view thereof.

All portions of the drawings shown in dashed or broken lines are for illustrating portions of the article that form no part of the claim.

**1 Claim, 4 Drawing Sheets**



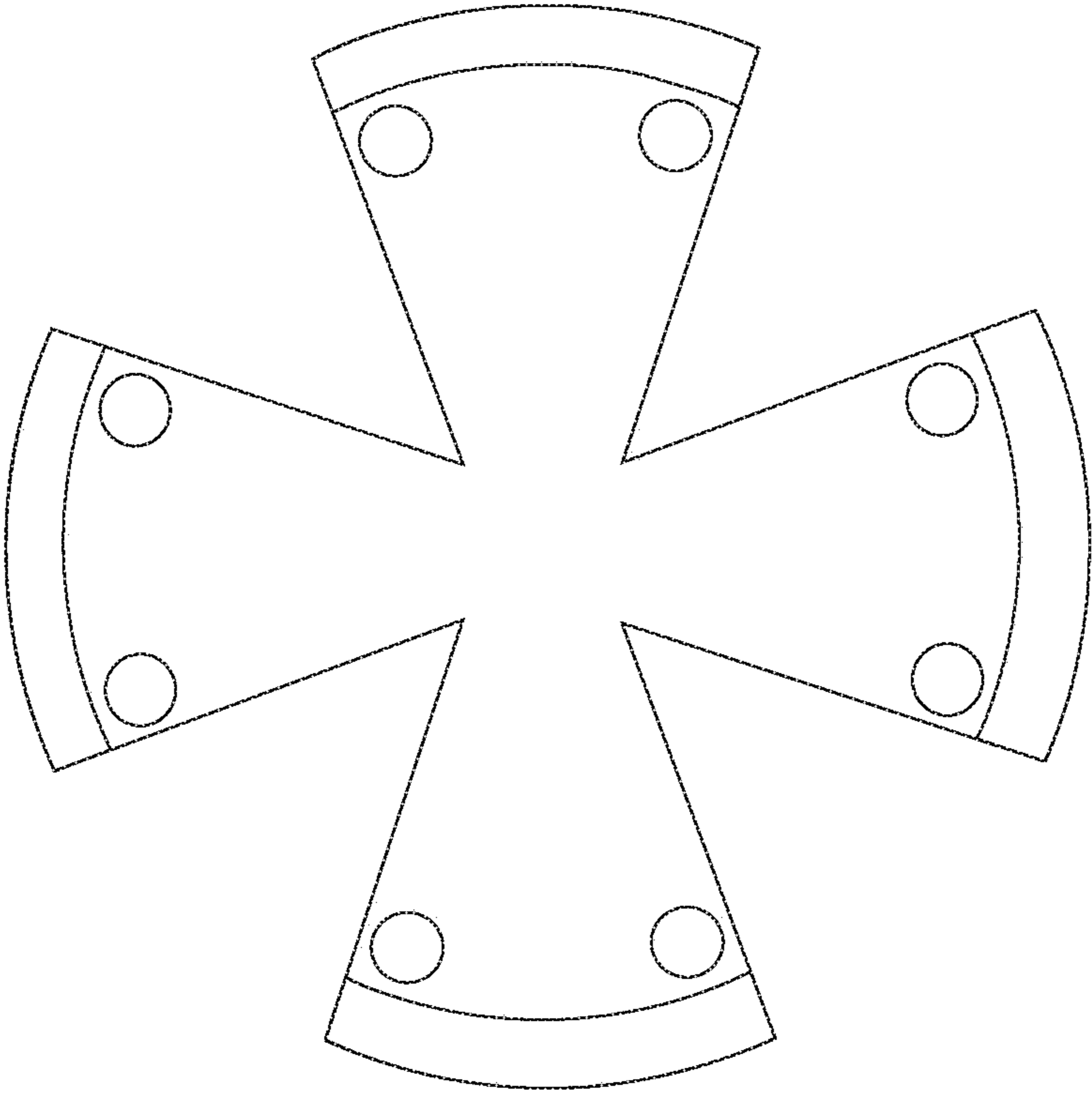


Fig. 1

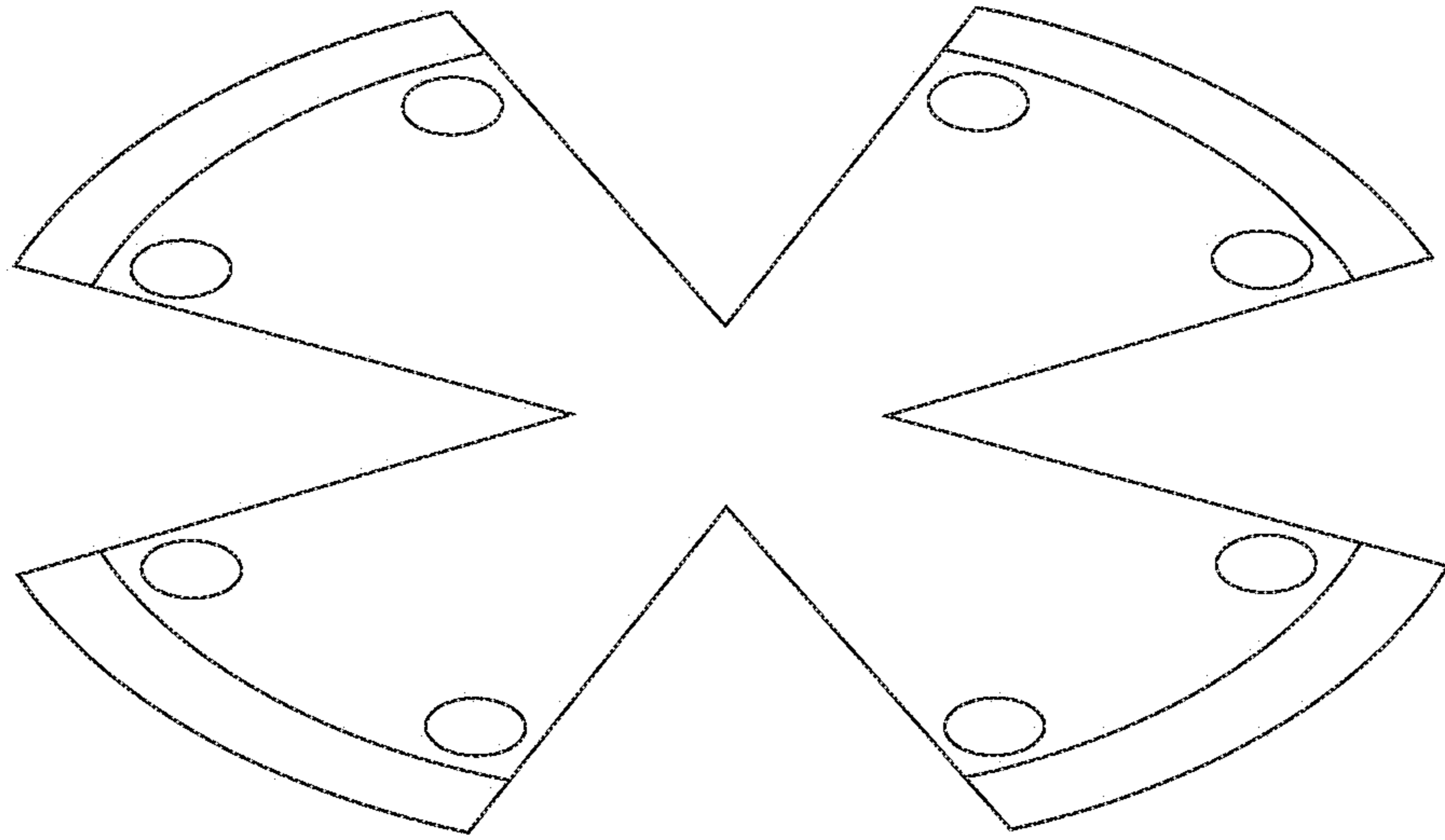


Fig. 2

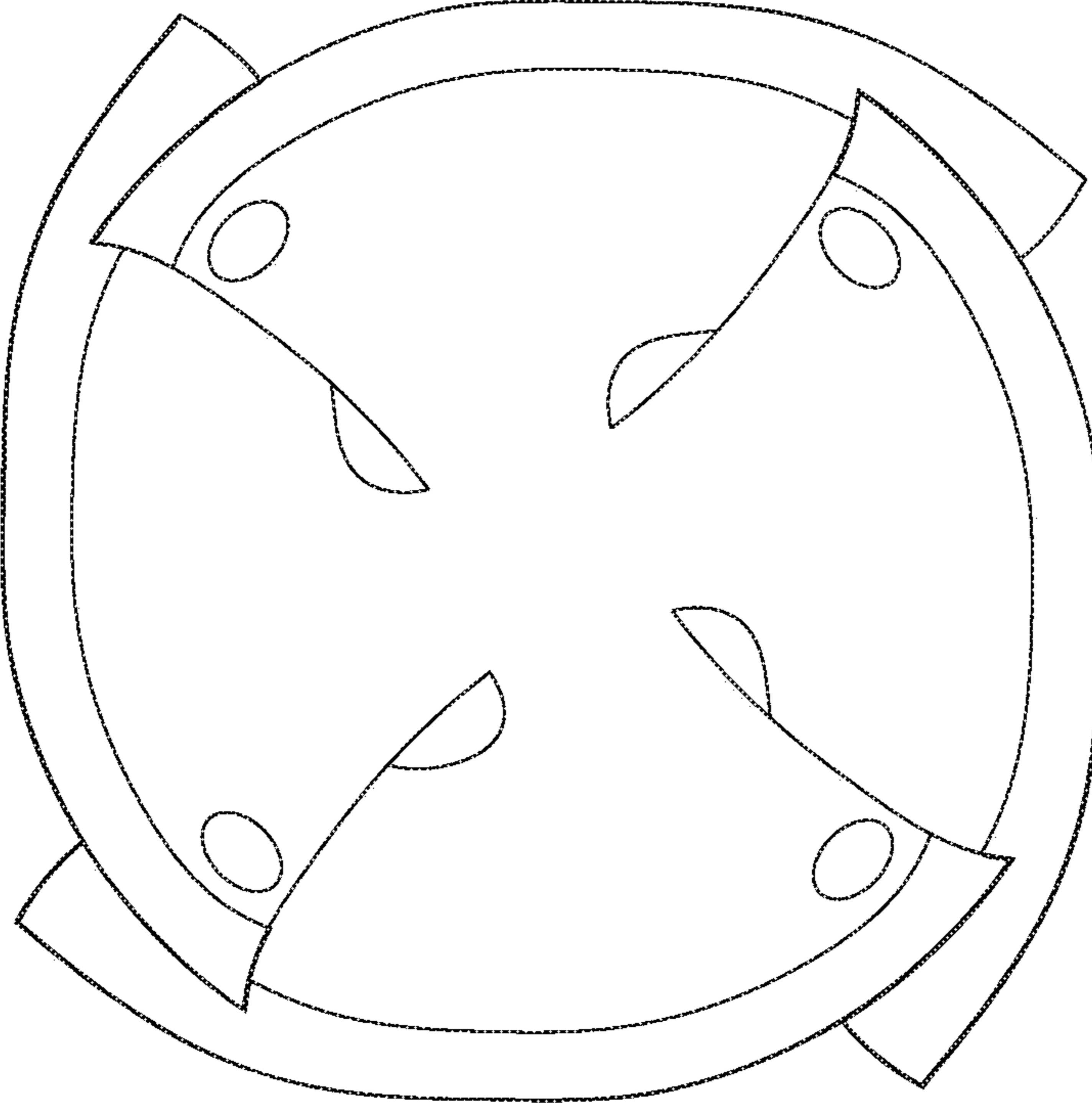


Fig. 3

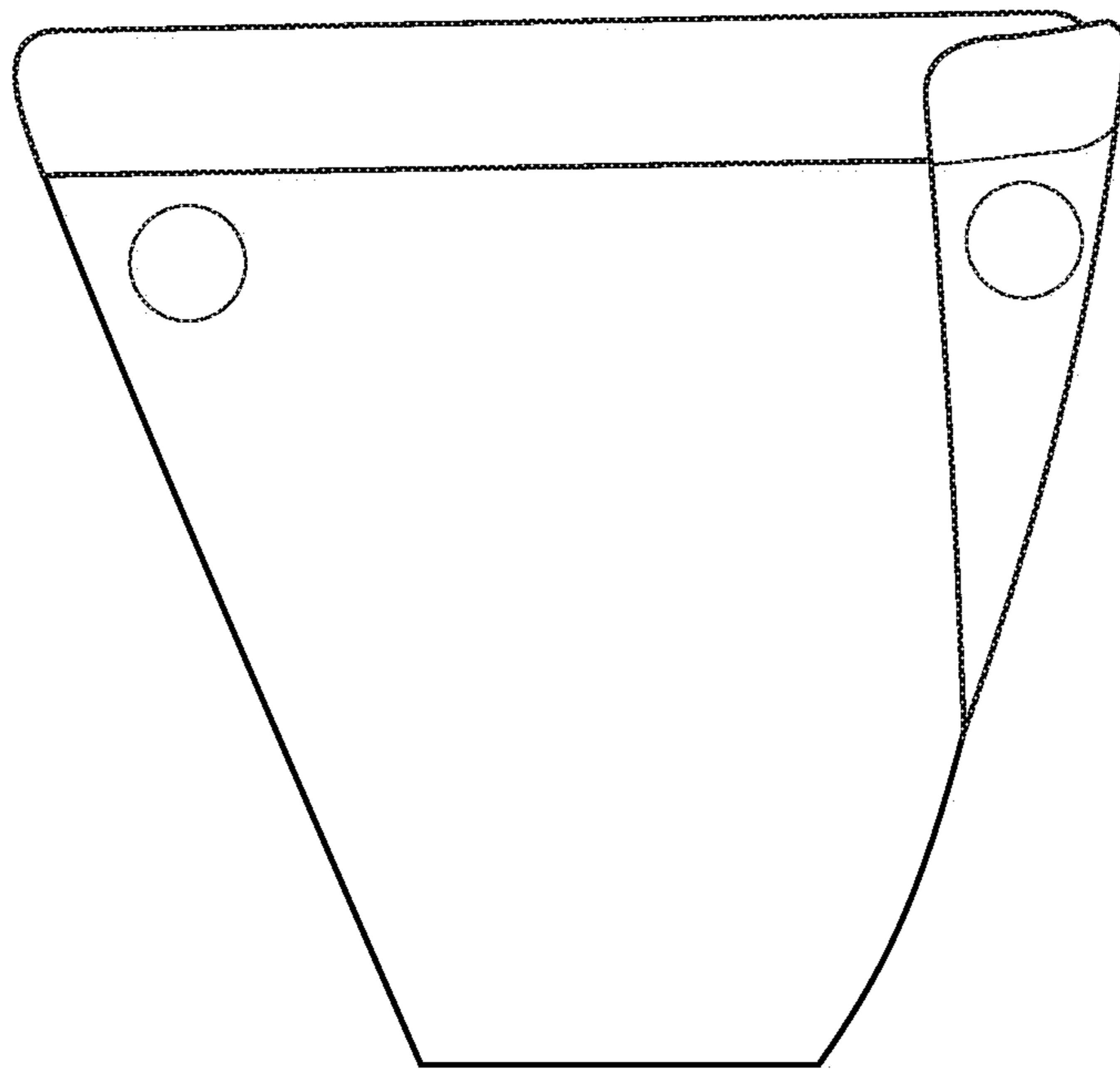


Fig. 4