



US00D921354S

(12) **United States Design Patent**
Petersen

(10) **Patent No.:** **US D921,354 S**
(45) **Date of Patent:** **** Jun. 8, 2021**

(54) **PILL DISPENSER**

(71) Applicant: **Phillips-Medisize A/S**, Struer (DK)

(72) Inventor: **Carsten Petersen**, Højbjerg (DK)

(73) Assignee: **Phillips-Medisize A/S**, Struer (DK)

(**) Term: **15 Years**

(21) Appl. No.: **29/710,346**

(22) Filed: **Oct. 22, 2019**

(51) **LOC (13) Cl.** **03-01**

(52) **U.S. Cl.**
USPC **D3/203.4**

(58) **Field of Classification Search**
USPC D3/201, 203.1, 203.2, 203.3, 203.4;
D6/515; D7/589; D9/730, 731
CPC A61J 1/00; A61J 1/03; A61J 1/1412; A61J
7/0076; A61J 7/04; A61J 7/0084; B65D
1/36; B65D 25/04; B65D 2583/005;
B65D 2583/04; B65D 2583/0404; B65D
2583/0481; B65D 2583/2583; B65D
2583/0418; B65D 2583/0445; B65D
2583/0472; B65D 2585/56; B65D 83/04;
B65D 83/0083; B65D 83/0409; B65D
83/0418; B65D 83/0445; B65D 83/0481
See application file for complete search history.

4,083,452 A * 4/1978 Rossmo A61J 7/04
116/308

D252,912 S * 9/1979 Rideout, Jr. D3/203.4

D289,978 S * 5/1987 Clover, Jr. D24/224

5,323,929 A * 6/1994 Marlar A61J 7/0481
221/121

5,397,017 A * 3/1995 Muza A61J 7/0046
206/538

D384,283 S * 9/1997 Davies D9/731

D398,444 S * 9/1998 Ricci B65D 25/04
D3/203.2

D405,361 S * 2/1999 Cameron D9/731

6,269,971 B1 * 8/2001 Nystrom A61J 7/02
221/13

D451,666 S * 12/2001 Zastrow A61J 7/0084
D3/203.3

D481,313 S 10/2003 Archer

D489,610 S * 5/2004 Miceli D9/435

7,159,720 B2 * 1/2007 Pearson B65D 83/04
206/533

D555,893 S 11/2007 Mulaw
(Continued)

Primary Examiner — Steven J Czyn
(74) *Attorney, Agent, or Firm* — Banner & Witcoff, Ltd.

(57) **CLAIM**

The ornamental design for a pill dispenser, as shown and described.

DESCRIPTION

FIG. 1 is a front perspective view of a pill dispenser showing my new design;
FIG. 2 is a front top perspective view thereof;
FIG. 3 is a right-side top perspective view thereof;
FIG. 4 is a left-side top perspective view thereof;
FIG. 5 is a top view thereof; and,
FIG. 6 is a front top perspective view of the pill dispenser of FIGS. 1-5 shown with an unclaimed pill bottle environment.
The broken lines depict portions of the article and environment that form no part of the claimed design.

1 Claim, 6 Drawing Sheets

(56) **References Cited**

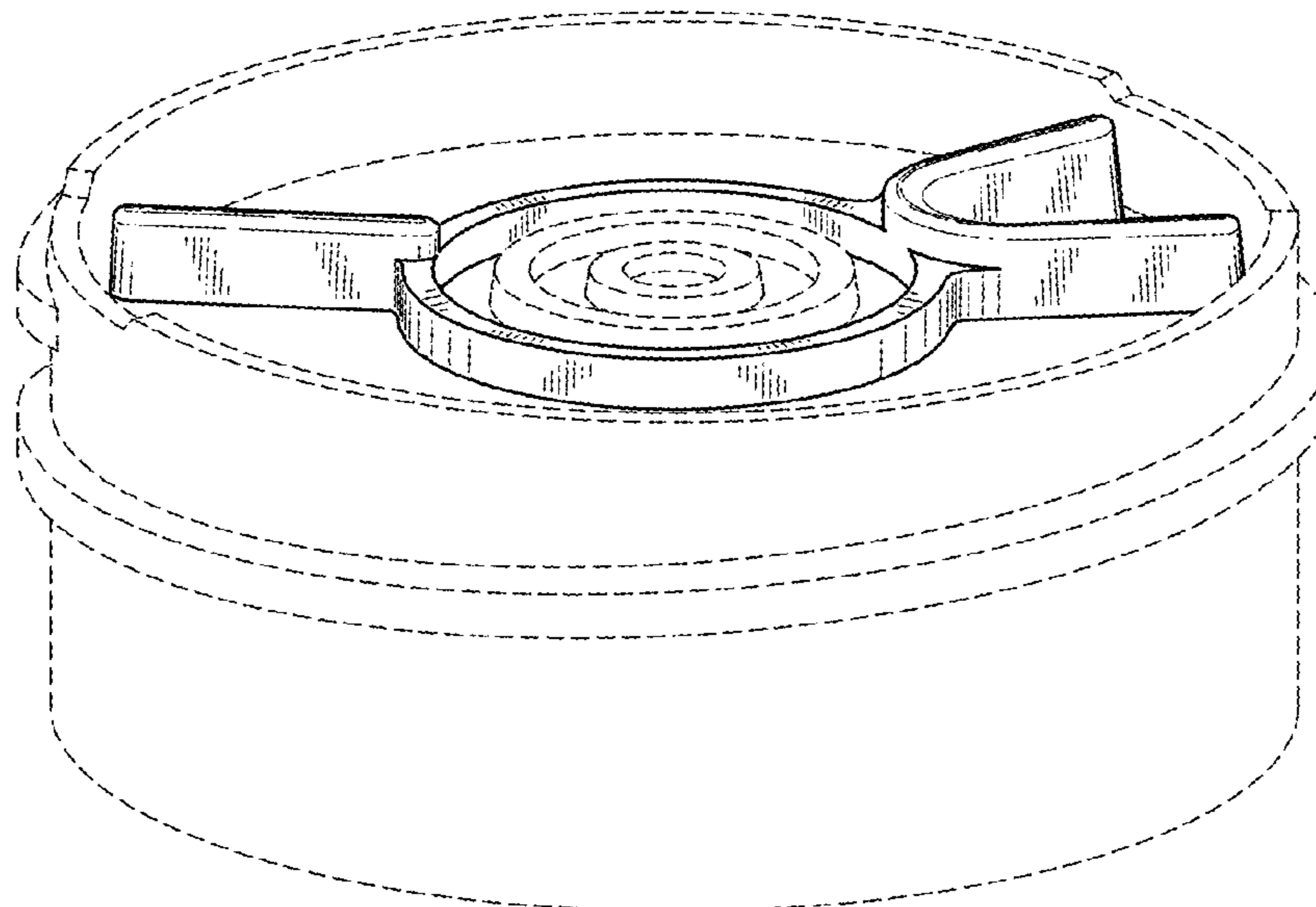
U.S. PATENT DOCUMENTS

3,104,646 A * 9/1963 Minetti et al. A61J 7/04
116/308

3,831,808 A * 8/1974 Bender A61J 7/04
221/197

3,871,551 A * 3/1975 Bender B65D 83/0409
221/8

3,995,767 A * 12/1976 Brindley B65D 83/0454
221/82



(56)

References Cited

U.S. PATENT DOCUMENTS

D571,199 S 6/2008 Petrosino et al.
 D573,460 S 7/2008 Kawaguchi et al.
 7,543,718 B2* 6/2009 Simon G07F 13/025
 221/13
 D600,441 S * 9/2009 Estrada A61J 7/04
 D3/203.3
 D608,084 S * 1/2010 Anson B65D 83/0409
 D3/203.3
 7,661,384 B2* 2/2010 Mataya G09F 11/23
 116/311
 7,735,684 B2* 6/2010 Coe B65D 83/0409
 221/265
 D625,911 S 10/2010 Lee et al.
 D633,292 S * 3/2011 Anson A61J 7/0427
 D3/203.3
 D637,806 S * 5/2011 Anson A61J 7/0481
 D3/203.3
 7,967,141 B2* 6/2011 Witczak A61J 7/0084
 206/459.1
 D643,209 S 8/2011 Rein
 D651,897 S 1/2012 Miceli et al.
 D656,818 S 4/2012 Dunwoody
 D661,185 S * 6/2012 Battat D9/435
 D691,054 S 10/2013 Olsson et al.
 D696,958 S 1/2014 Rex
 D701,763 S * 4/2014 Chur D9/435
 D711,739 S 8/2014 Priebe et al.
 8,936,157 B1* 1/2015 Xu B65D 47/265
 206/533

9,045,272 B2* 6/2015 Kim B65D 83/0409
 9,176,026 B2* 11/2015 Sidorsky A61J 1/10
 D757,274 S * 5/2016 Gelb D24/176
 D799,958 S * 10/2017 Butruille D9/440
 9,815,611 B2* 11/2017 Reinhold A61J 1/03
 D827,364 S * 9/2018 Rummel D7/392.1
 D828,013 S 9/2018 Van Wijngaarden et al.
 D828,014 S 9/2018 Van Wijngaarden et al.
 D829,065 S * 9/2018 Marantis D7/700
 10,065,774 B1* 9/2018 Daniels, Jr. B65D 11/02
 10,131,475 B2 11/2018 Babineau
 10,138,030 B2* 11/2018 Orszullok B65D 43/267
 10,144,574 B2* 12/2018 Williams A61J 7/0076
 10,159,627 B2 12/2018 Milante
 D842,105 S 3/2019 Willemstyn
 10,292,906 B1* 5/2019 Gershoni A61J 7/0427
 10,294,010 B2* 5/2019 Desset-Brethes B65D 83/06
 10,358,272 B2* 7/2019 Brotzel A61J 7/0481
 10,364,089 B2* 7/2019 Daniels, Jr. B65D 1/165
 D855,309 S 8/2019 Patel et al.
 D856,136 S 8/2019 Marshall et al.
 D861,053 S * 9/2019 Tally D15/152
 D862,225 S 10/2019 Horn
 10,532,861 B2* 1/2020 Kimmel B65D 25/04
 D876,186 S * 2/2020 Marantis D7/700
 10,569,937 B2* 2/2020 Giraud A61J 1/1418
 10,610,456 B2* 4/2020 Gosselin B65D 50/04
 D893,858 S * 8/2020 Xu A61J 1/1418
 D3/203.1
 10,888,502 B2* 1/2021 Sirdeshmukh A61J 1/1418
 2014/0202978 A1* 7/2014 Hwang, II A61J 7/04
 215/230

* cited by examiner

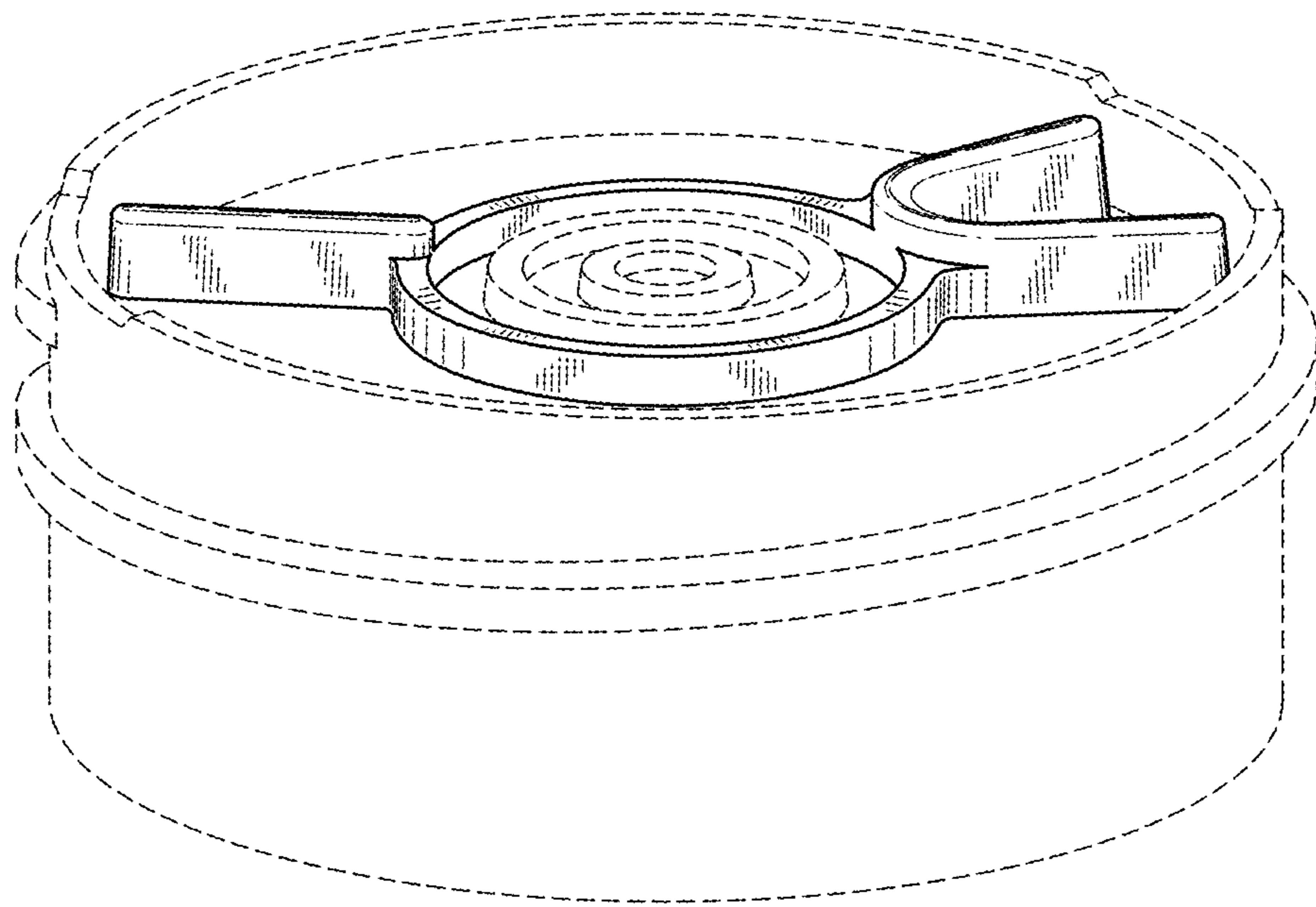


FIG. 1

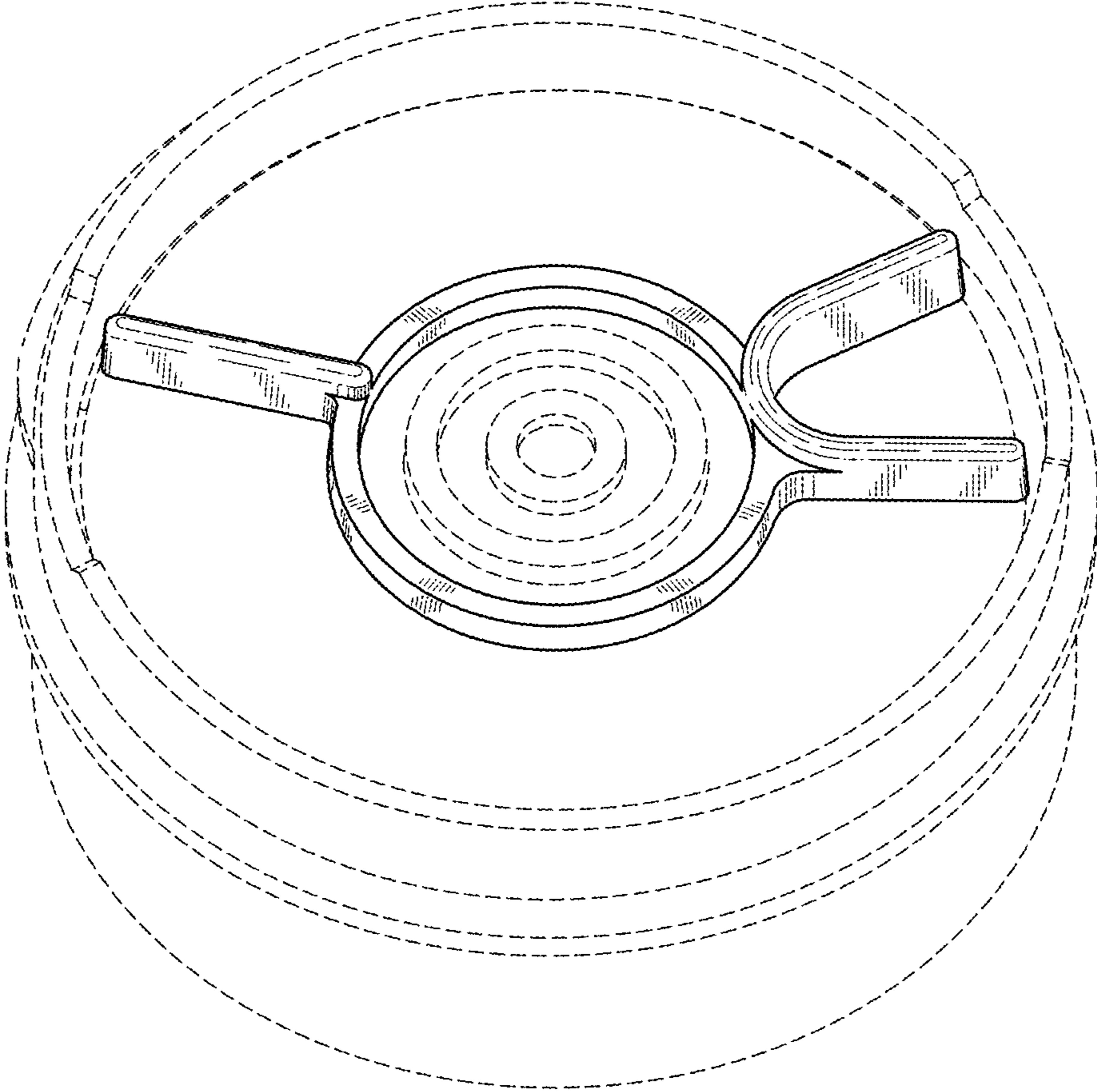


FIG. 2

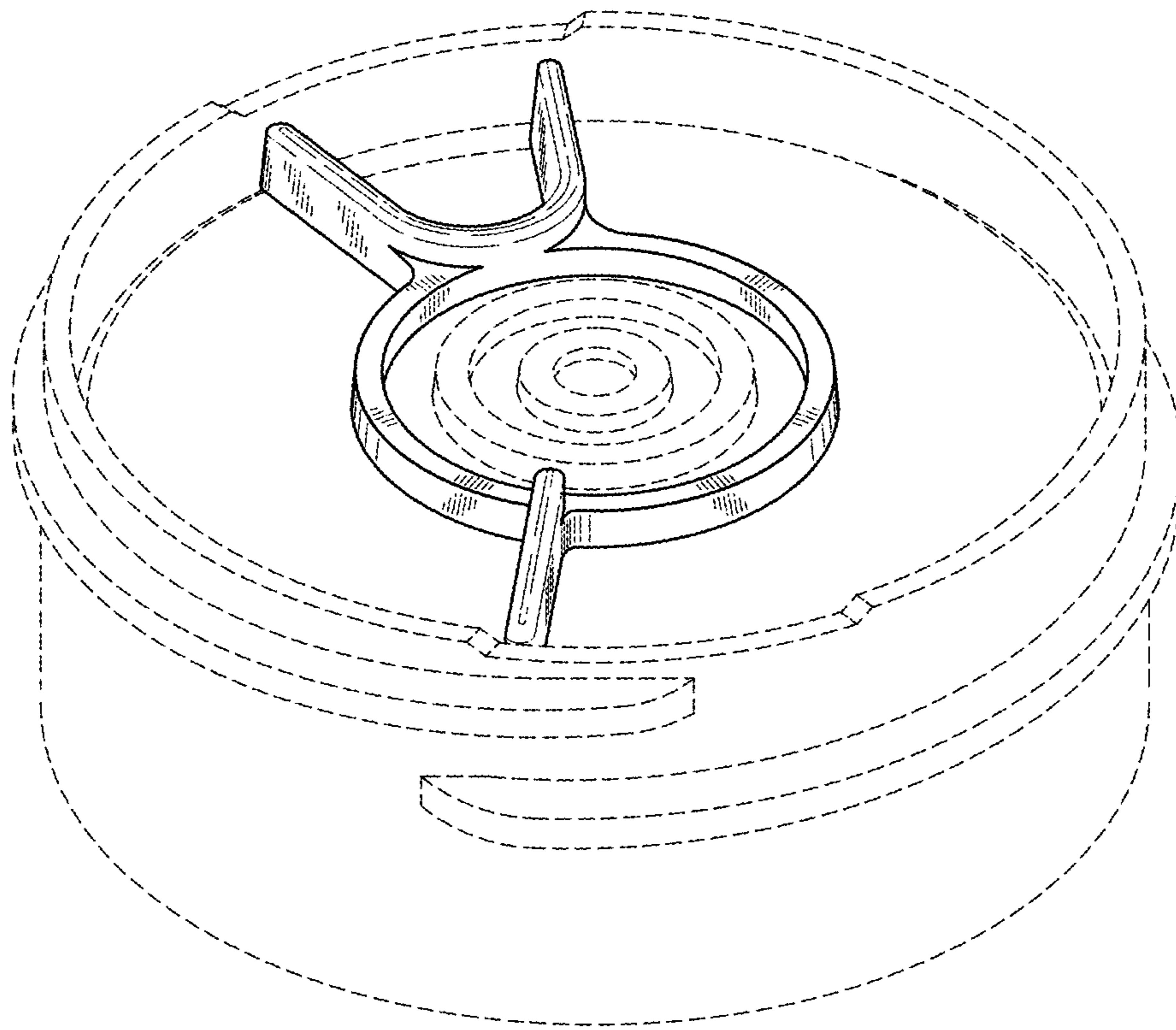


FIG. 3

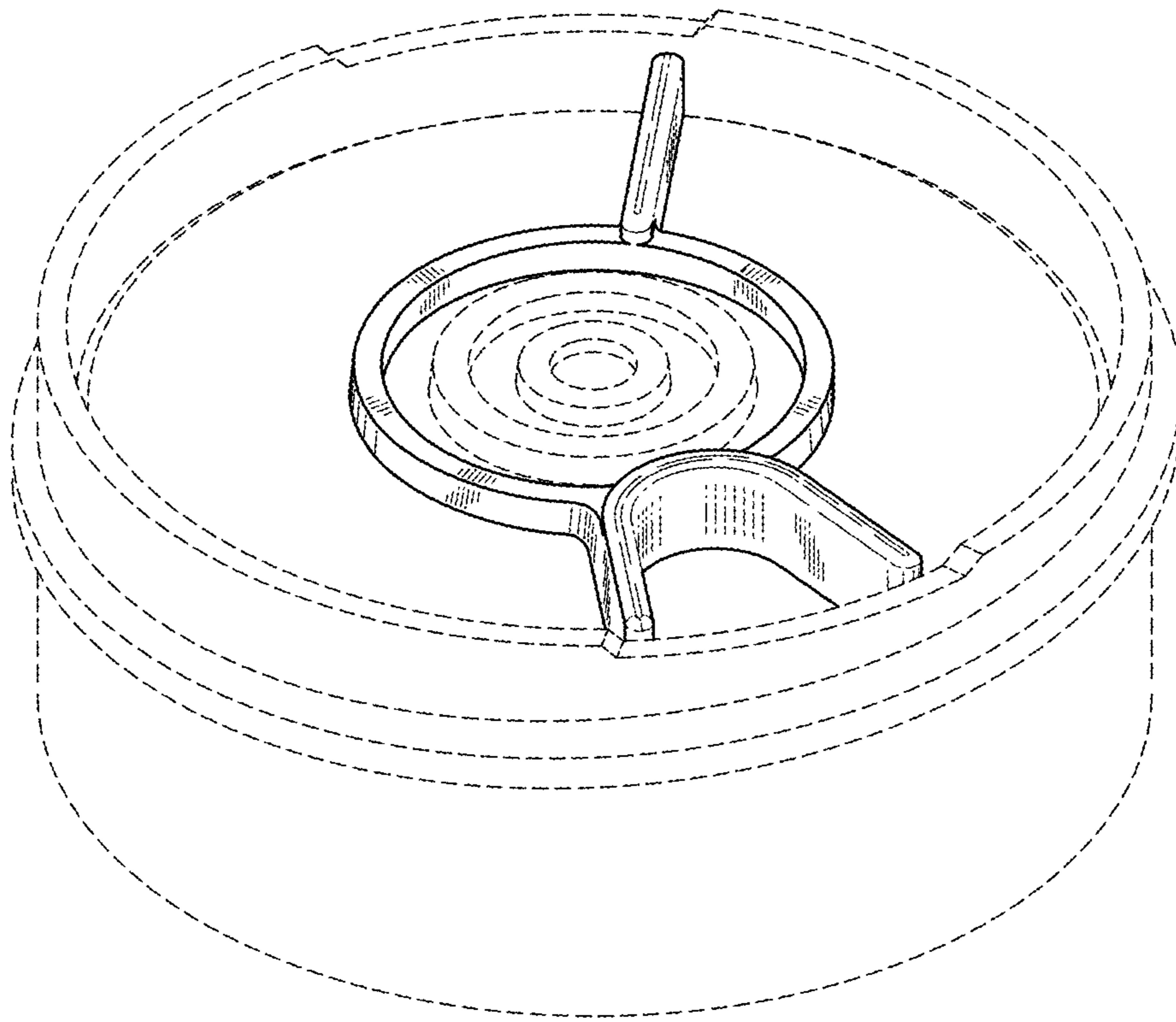


FIG. 4

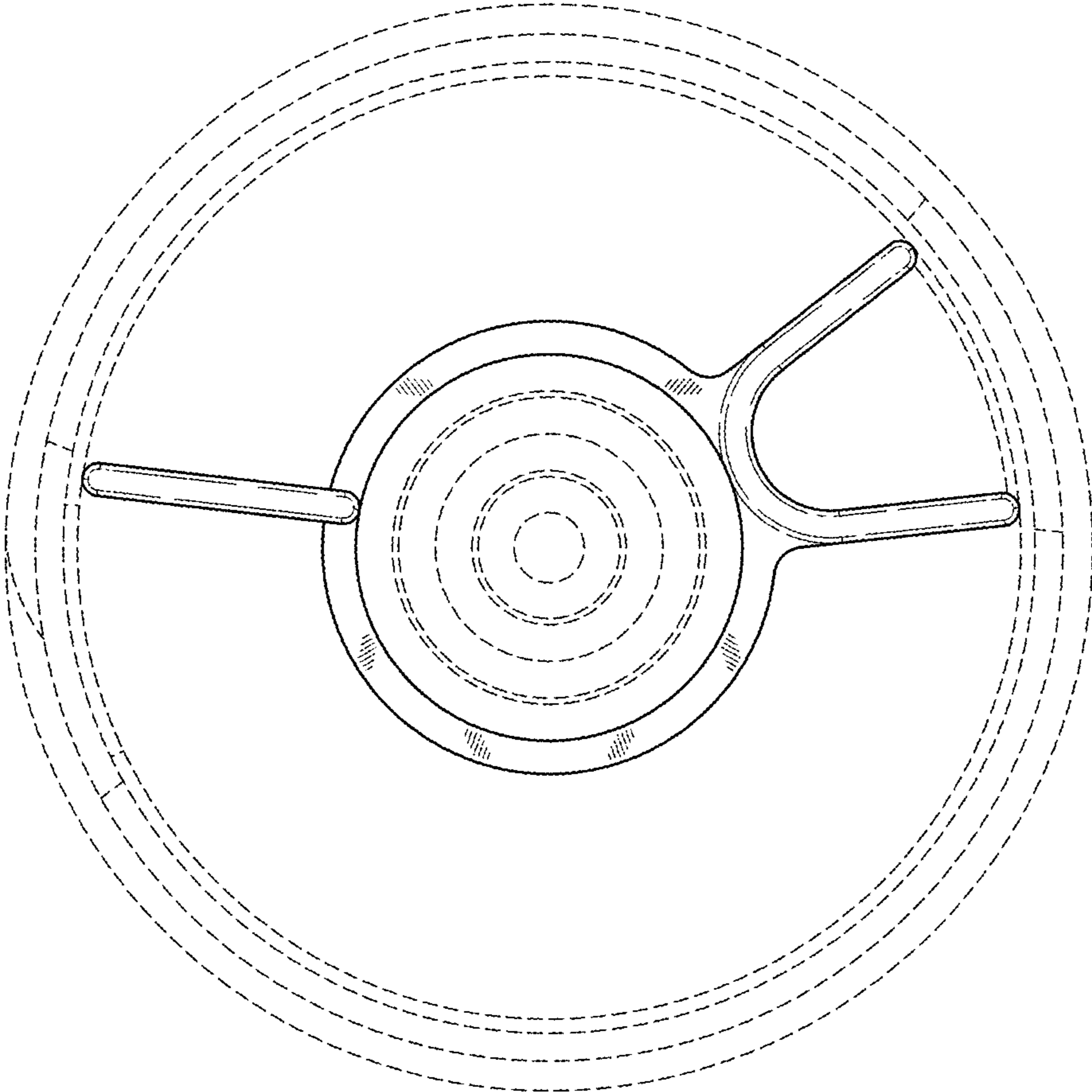


FIG. 5

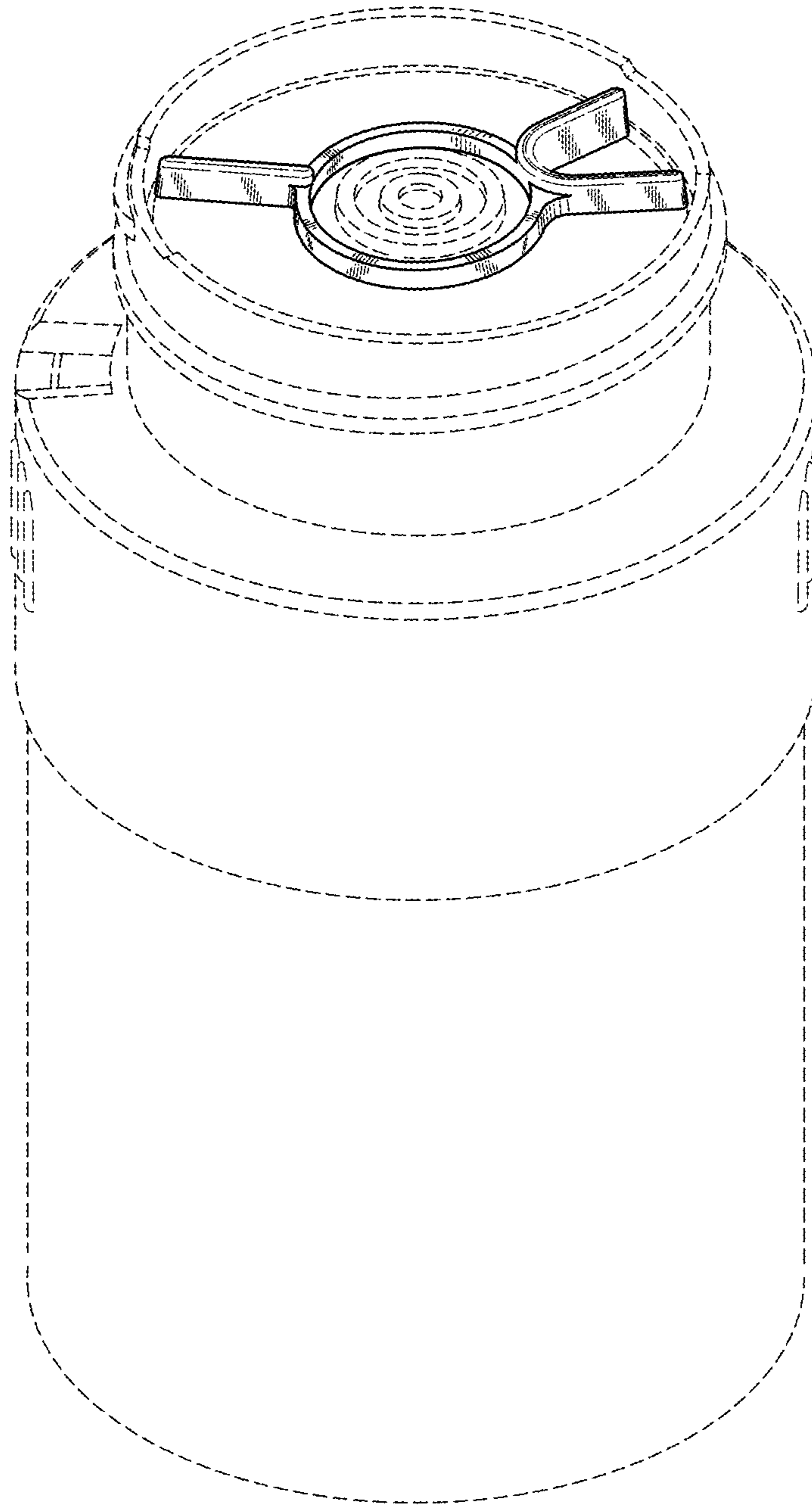


FIG. 6