



US00D921353S

(12) **United States Design Patent**
Hayden

(10) **Patent No.:** **US D921,353 S**

(45) **Date of Patent:** **** Jun. 8, 2021**

(54) **WALKING STICK**

(71) Applicant: **Sarah Hayden**, Newburyport, MA (US)

(72) Inventor: **Sarah Hayden**, Newburyport, MA (US)

(**) Term: **15 Years**

(21) Appl. No.: **29/692,796**

(22) Filed: **May 29, 2019**

Related U.S. Application Data

(60) Continuation-in-part of application No. 15/495,440, filed on Apr. 24, 2017, now abandoned, which is a division of application No. 14/956,895, filed on Dec. 2, 2015, now abandoned.

(51) **LOC (13) Cl.** **03-03**

(52) **U.S. Cl.**
USPC **D3/7**

(58) **Field of Classification Search**
USPC D24/188-192, 200, 206, 215; D3/5-17
CPC A61H 3/0288
See application file for complete search history.

(56) **References Cited**

U.S. PATENT DOCUMENTS

D325,670 S * 4/1992 Champigny D3/7
D408,126 S * 4/1999 Hunnicutt, Jr. D3/7

D531,399 S * 11/2006 Olerud D3/7
D590,591 S * 4/2009 Yates D12/130
D625,910 S * 10/2010 Whittaker D3/7
D883,653 S * 5/2020 Ritter D3/9
2016/0262661 A1* 9/2016 Sarkar A45B 3/00
2017/0156458 A1* 6/2017 Hayden A61H 3/0277
2019/0343251 A1* 11/2019 FitzPatrick A45B 9/02

* cited by examiner

Primary Examiner — Darcey E Gottschalk

(74) *Attorney, Agent, or Firm* — Bay State IP, LLC

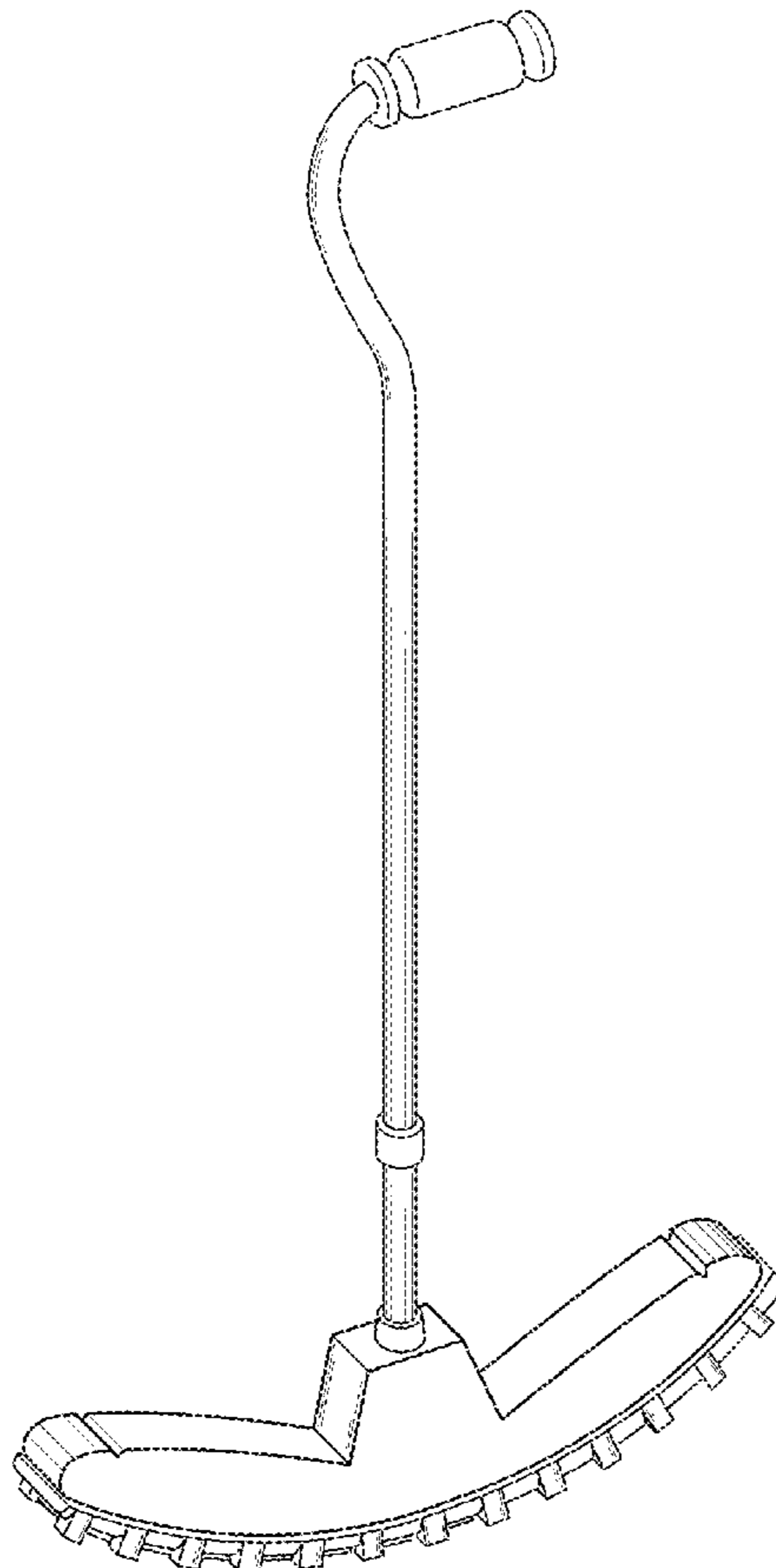
(57) **CLAIM**

The ornamental design for a walking stick, as shown and described.

DESCRIPTION

FIG. 1 is a front perspective view of the walking stick showing my new design;
FIG. 2 is a left side view thereof;
FIG. 3 is a right side view thereof;
FIG. 4 is a front view thereof;
FIG. 5 is a back view thereof;
FIG. 6 is a top view thereof; and,
FIG. 7 is a bottom view thereof.

1 Claim, 4 Drawing Sheets



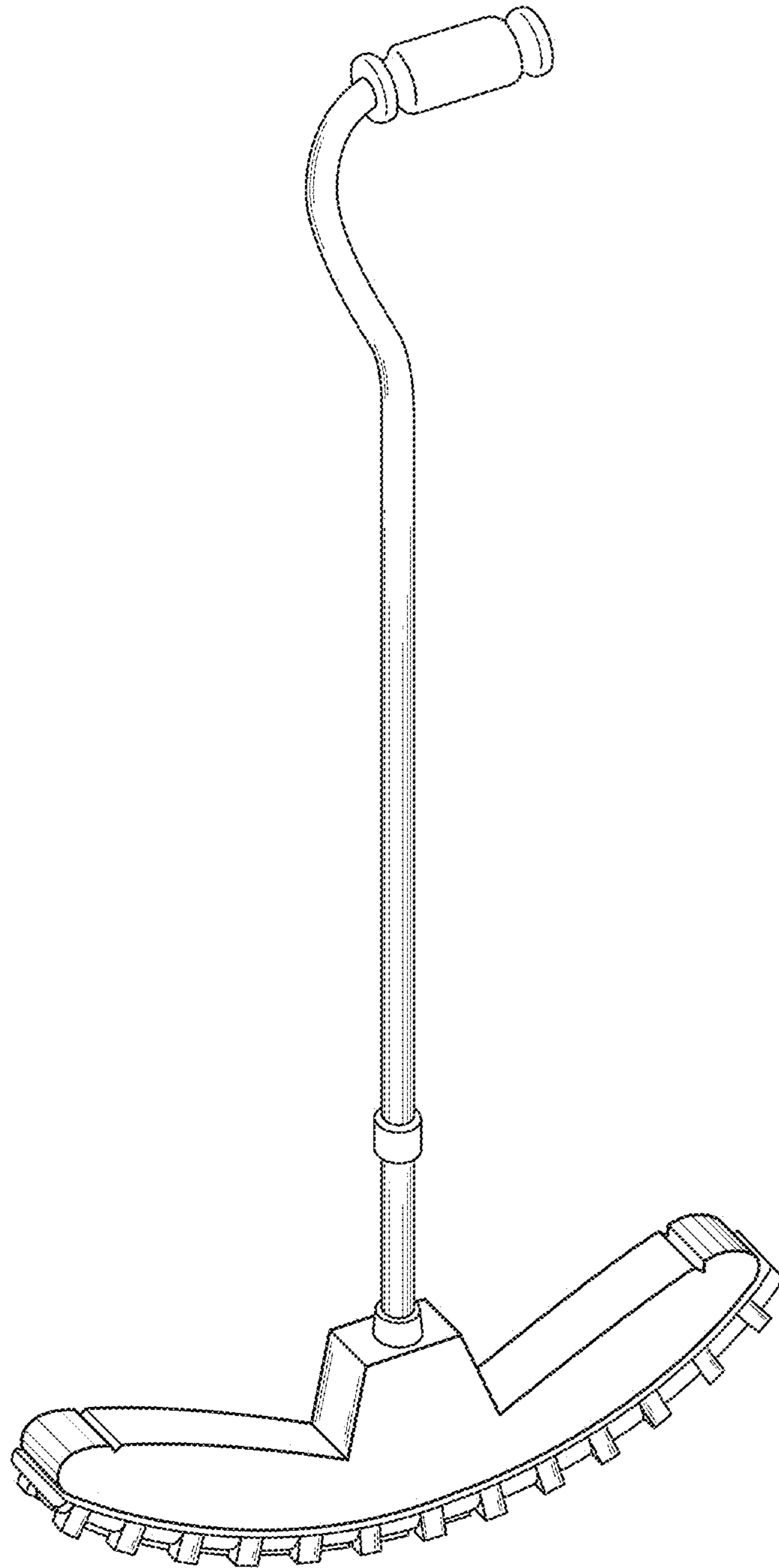


Fig. 1

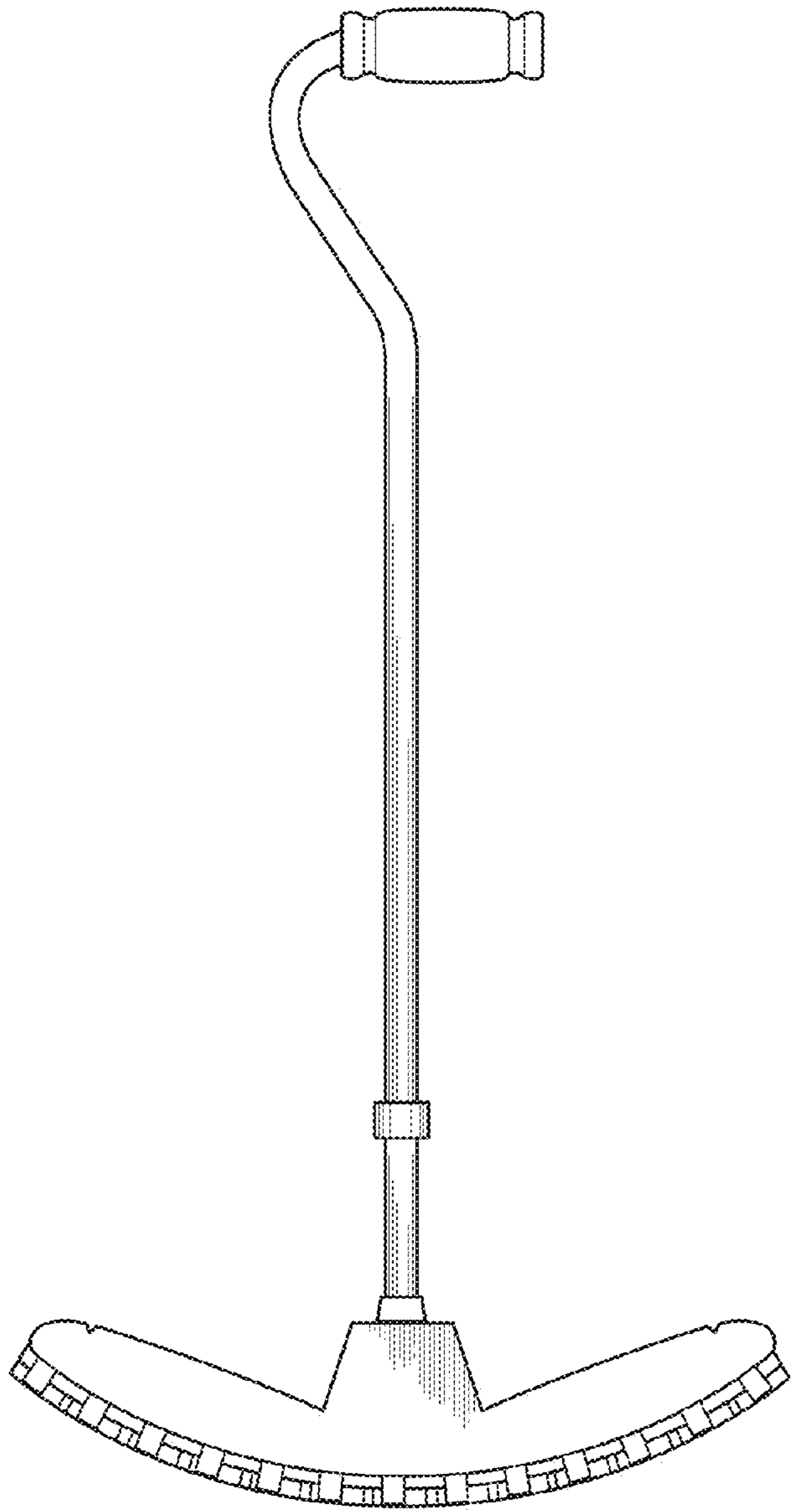


Fig. 2

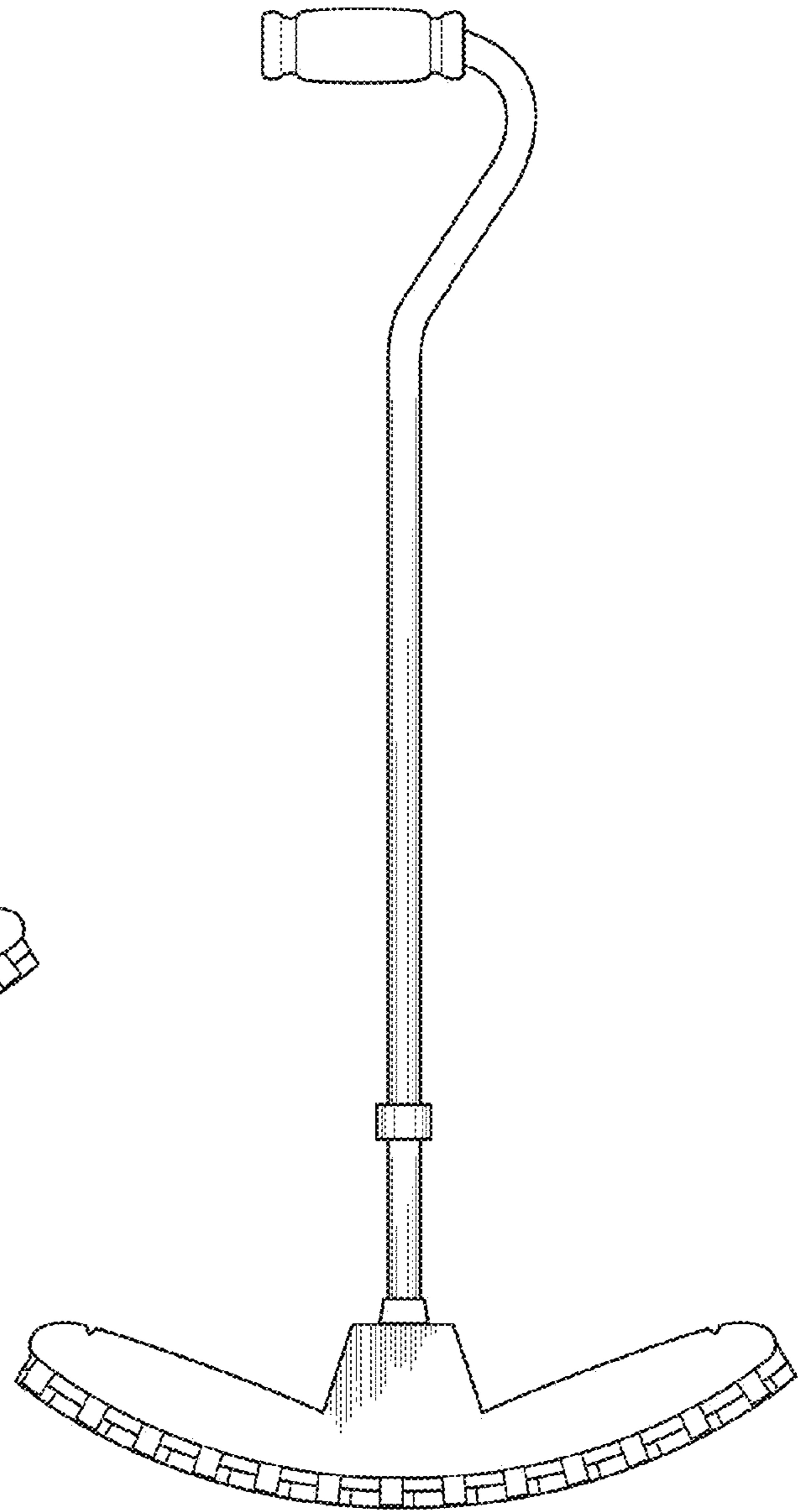


Fig. 3

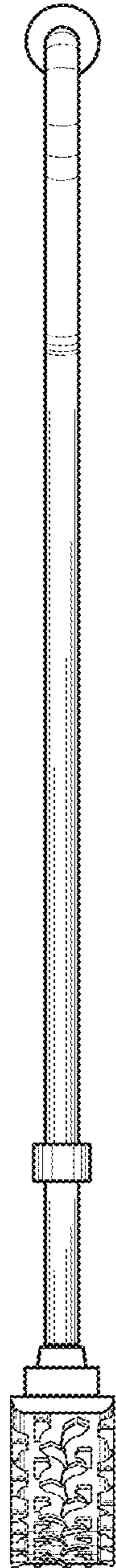


Fig. 4

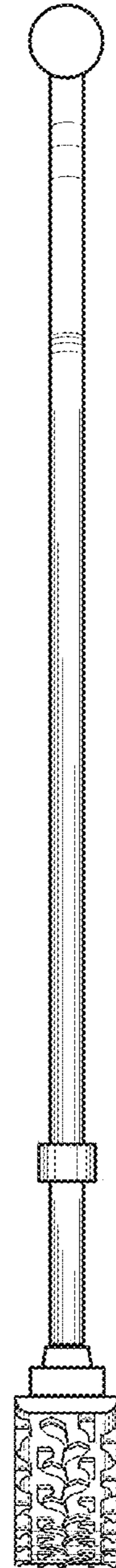


Fig. 5

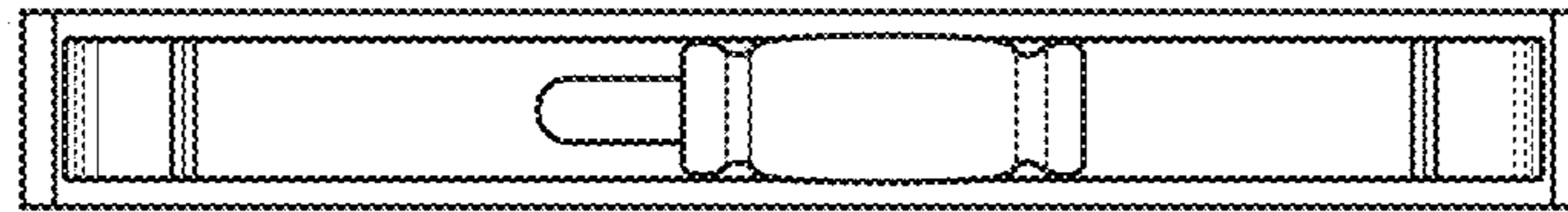


Fig. 6



Fig. 7