



US00D921352S

(12) **United States Design Patent** (10) **Patent No.:** **US D921,352 S**
Boylan (45) **Date of Patent:** **** Jun. 8, 2021**

(54) **SOCK INSERT POCKET** 3,465,364 A * 9/1969 Edelson A63B 71/1225
2/22
(71) Applicant: **Dr. B's Limited**, Dublin (IE) 4,816,004 A 3/1989 Emanuel
5,334,082 A 8/1994 Barker
(72) Inventor: **Grainne Boylan**, Dublin (IE) 5,377,693 A 1/1995 Loper
5,555,564 A 9/1996 Welch
(73) Assignee: **DR. B'S LIMITED** D375,196 S * 11/1996 Kluttz D2/980
5,570,470 A * 11/1996 Miller A41D 13/06
2/22
(**) Term: **15 Years** D378,015 S * 2/1997 Kluttz D2/980
D382,994 S * 9/1997 Kluttz D2/980
(21) Appl. No.: **29/686,576** (Continued)

(22) Filed: **Apr. 5, 2019**

Related U.S. Application Data

(63) Continuation-in-part of application No. 29/581,024, filed on Oct. 14, 2016, now abandoned.

(30) **Foreign Application Priority Data**

Apr. 14, 2016 (EM) 003068634-0001
Apr. 14, 2016 (EM) 003068634-0002
Apr. 14, 2016 (EM) 003068634-0003
Apr. 14, 2016 (EM) 003068634-0004

(51) **LOC (13) Cl.** **02-04**

(52) **U.S. Cl.**
USPC **D2/980**

(58) **Field of Classification Search**
USPC D2/980-994; D24/189, 192; D29/121.2,
D29/122
CPC . D04B 1/26; D04B 1/265; D04B 1/02; D04B
1/108; D04B 1/12; D04B 1/18; D04B
9/56; D04B 15/48; D04B 15/50; D04B
21/18; D04B 9/52; A61F 13/08; A61F
13/064; A61F 13/066; A61F 13/067;
A41B 11/003; A41B 11/02; A41B 11/00
See application file for complete search history.

(56) **References Cited**

U.S. PATENT DOCUMENTS

1,897,952 A 2/1933 Dupont
2,814,807 A * 12/1957 Dollar A41B 11/006
2/239

Primary Examiner — Jennifer L Watkins

(74) *Attorney, Agent, or Firm* — Martensen IP

(57) **CLAIM**

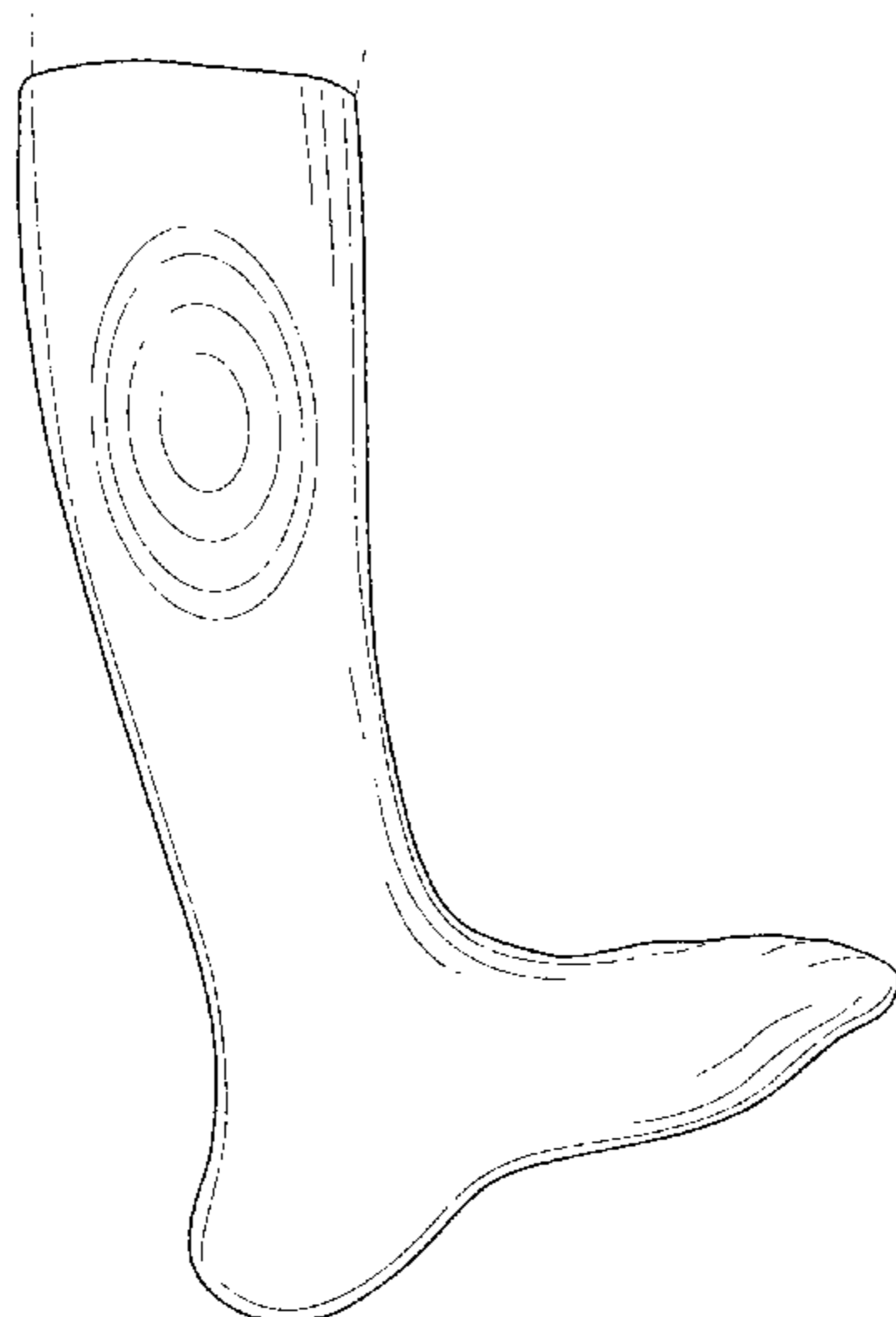
The ornamental design for a sock insert pocket, as shown and described.

DESCRIPTION

FIG. 1 is a rear, right perspective view of a sock insert pocket showing our new design;
FIG. 2 is a front view thereof;
FIG. 3 is a rear view thereof;
FIG. 4 is a left-side view thereof;
FIG. 5 is a right-side view thereof
FIG. 6 is a top view thereof;
FIG. 7 is a bottom view thereof;
FIG. 8 is a rear, right perspective view of a sock insert as would be placed in the sock insert pocket of our new design;
FIG. 9 is a front view thereof;
FIG. 10 is a bottom view thereof; and,
FIG. 11 is a side view thereof.

The portions of the drawings shown in broken lines indicate surrounding structure and environment that forms no part of the claimed design.

1 Claim, 10 Drawing Sheets



(56)

References Cited

U.S. PATENT DOCUMENTS

D395,158 S * 6/1998 Lindaman D2/980
D398,442 S * 9/1998 Kluttz D2/980
D401,758 S * 12/1998 Huff D2/986
5,845,335 A 12/1998 Twitty
5,864,889 A 2/1999 Suffern
6,032,296 A * 3/2000 Kelly A41B 11/00
2/239
6,182,297 B1 2/2001 Duren
6,224,458 B1 5/2001 Chen
6,283,820 B1 9/2001 Huang
6,368,179 B1 4/2002 Kang
6,443,806 B1 9/2002 Fang
D464,470 S * 10/2002 Melgarejo D29/122
6,564,393 B2 5/2003 Davies
6,729,164 B2 * 5/2004 Shibata A41B 11/02
2/22
7,089,601 B2 8/2006 Chen
D544,101 S * 6/2007 Kistner D24/192
7,237,270 B2 * 7/2007 Crye A41D 13/0575
2/24
7,552,483 B2 * 6/2009 Turner A41B 11/125
2/239
7,704,120 B2 4/2010 Chen
D630,416 S 1/2011 Lockhart, III
D643,208 S * 8/2011 Schmidt D2/984
D646,320 S 10/2011 Perks
D661,056 S 6/2012 Cho
8,672,728 B2 3/2014 Chan
D726,404 S * 4/2015 Hoane D2/994
RE45,838 E 1/2016 MacKinnon
D783,843 S * 4/2017 Grondahl D24/189
2011/0041839 A1 2/2011 Lee

* cited by examiner

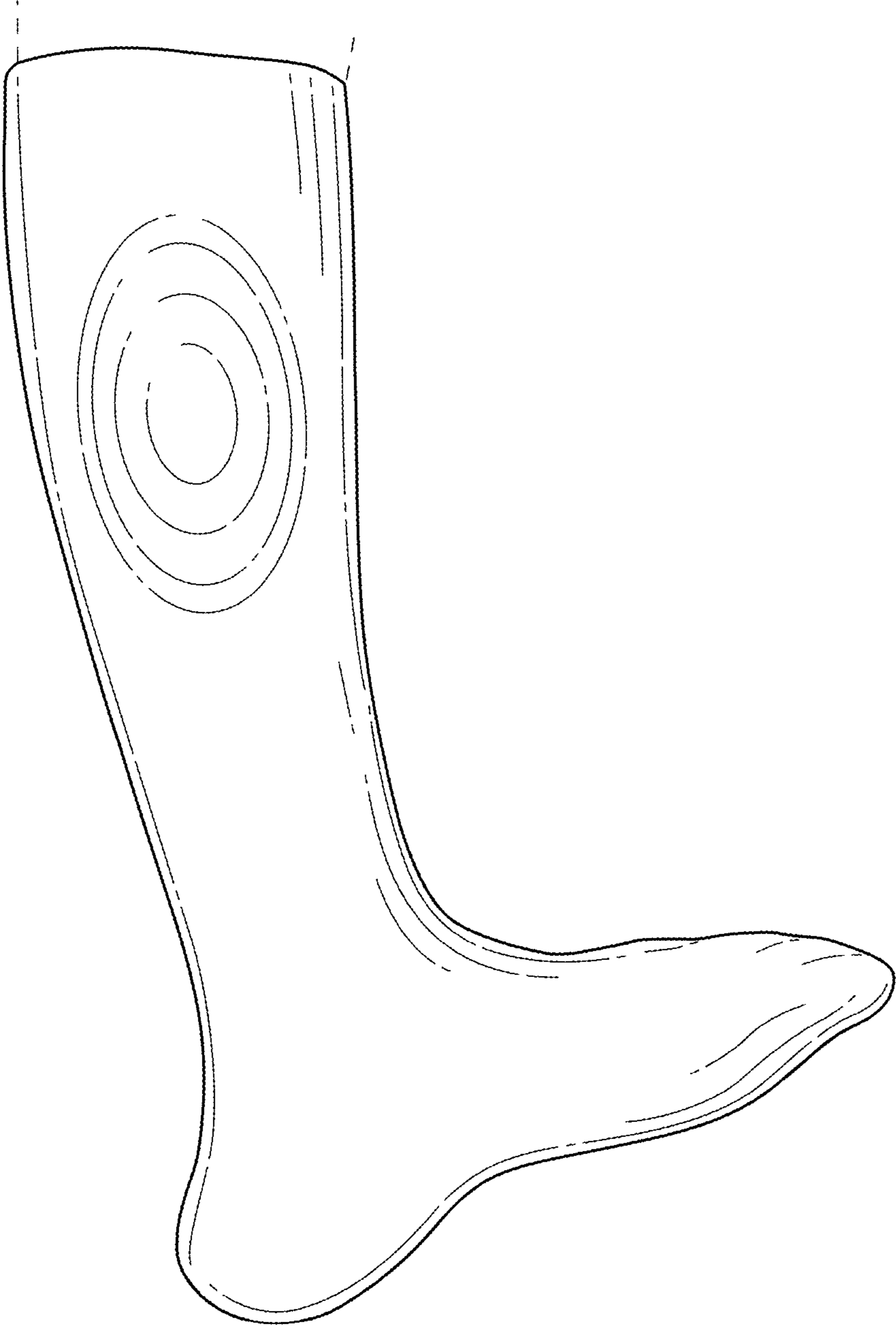


FIG.1

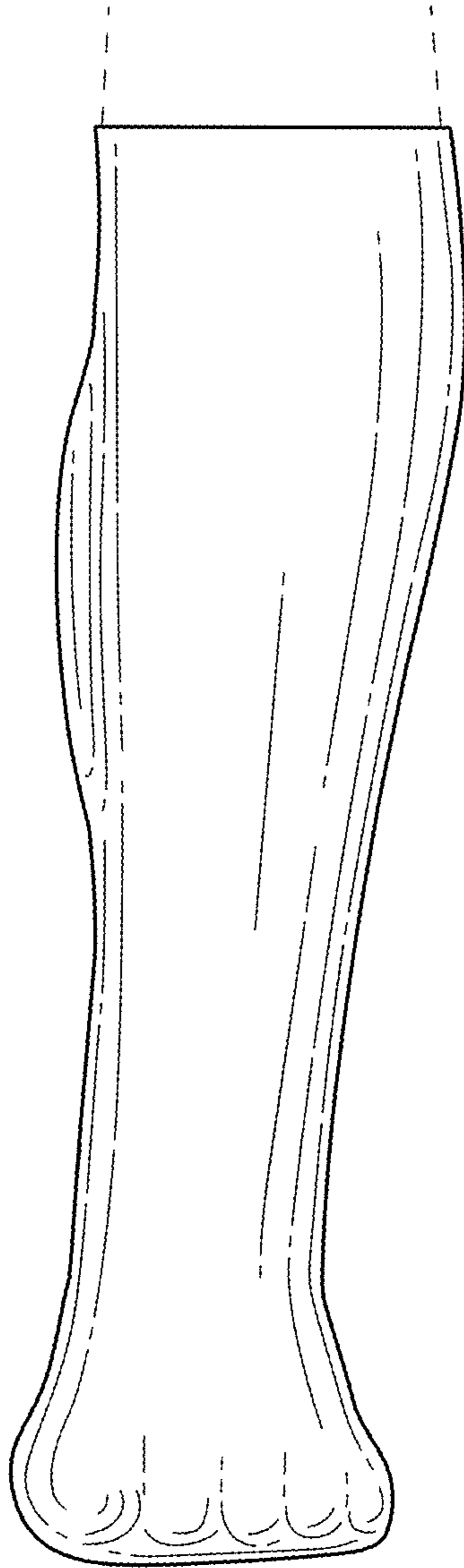


FIG.2

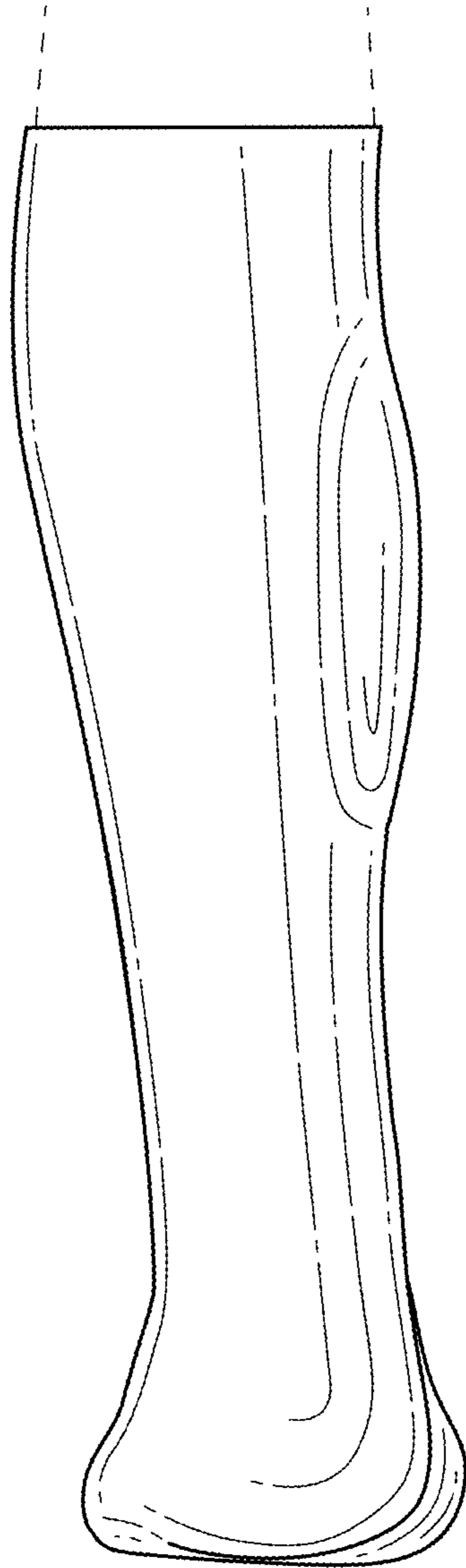


FIG.3



FIG.4

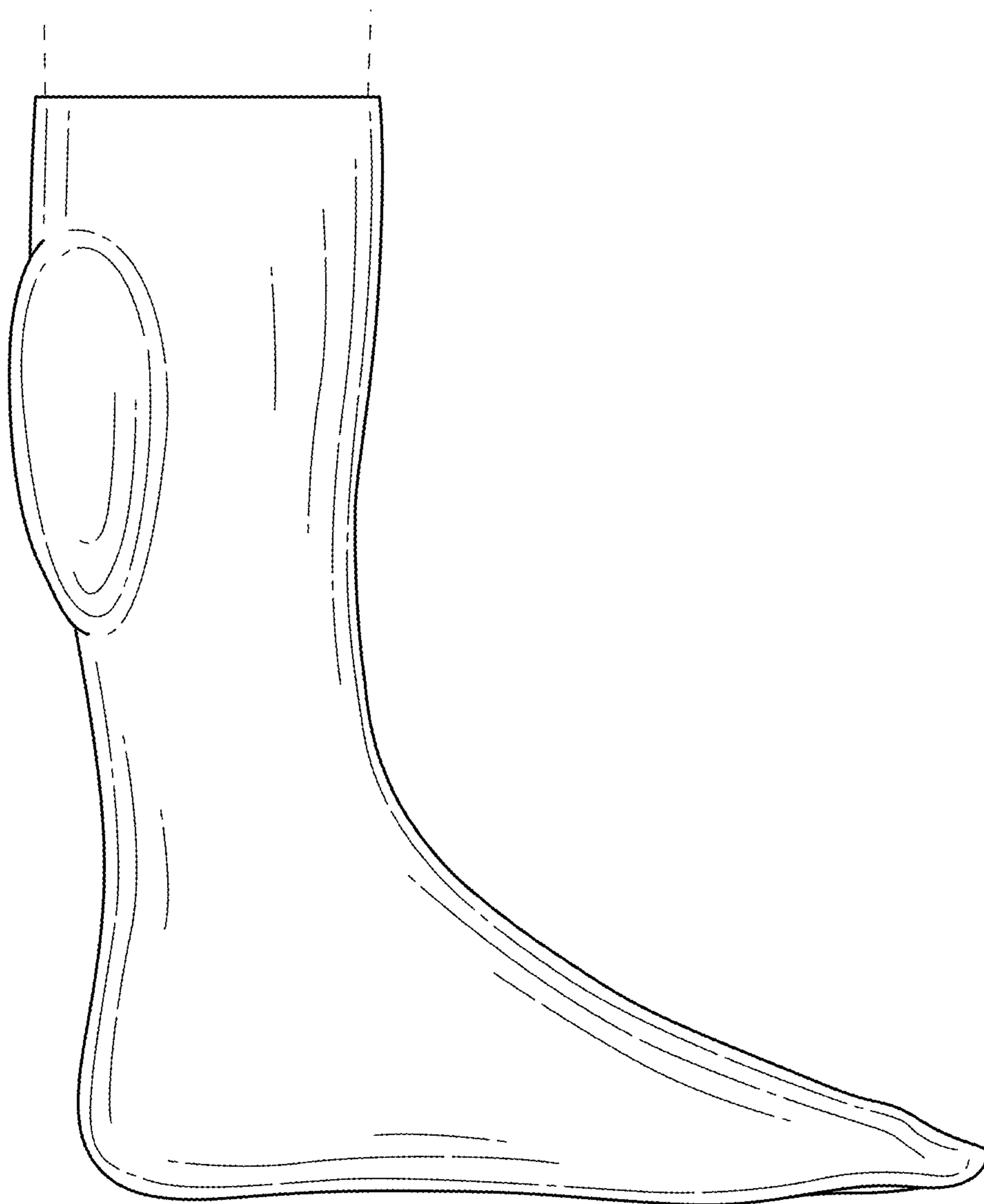


FIG.5

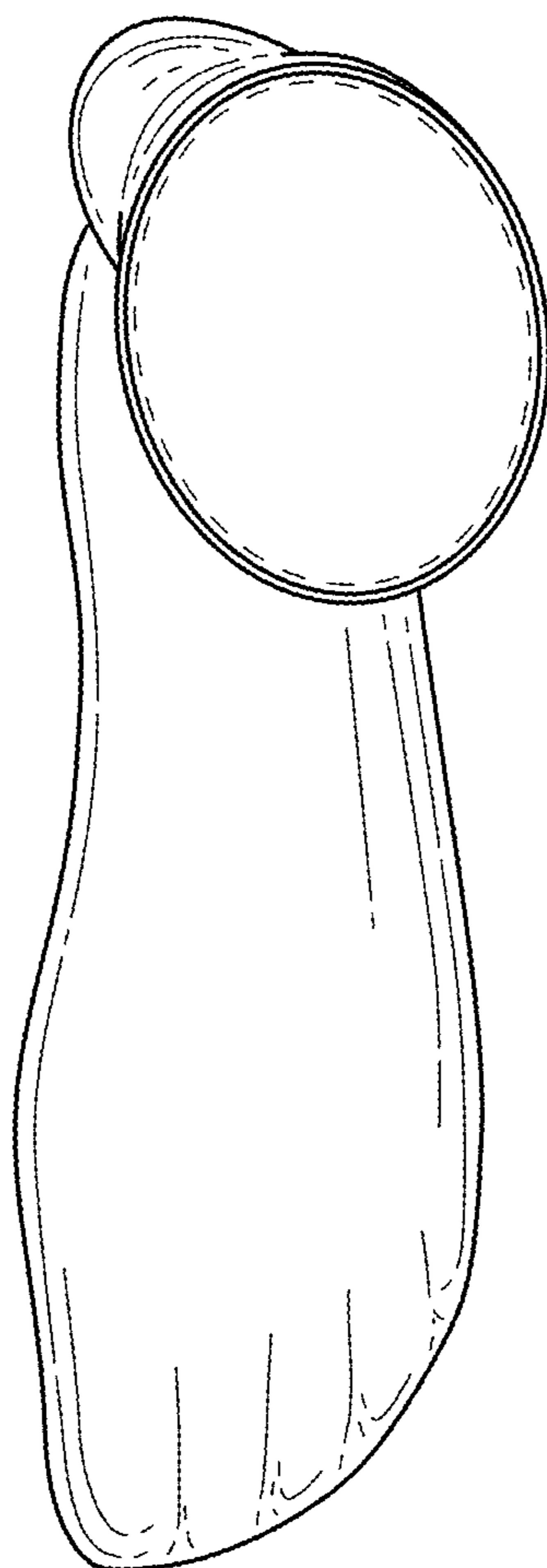


FIG.6

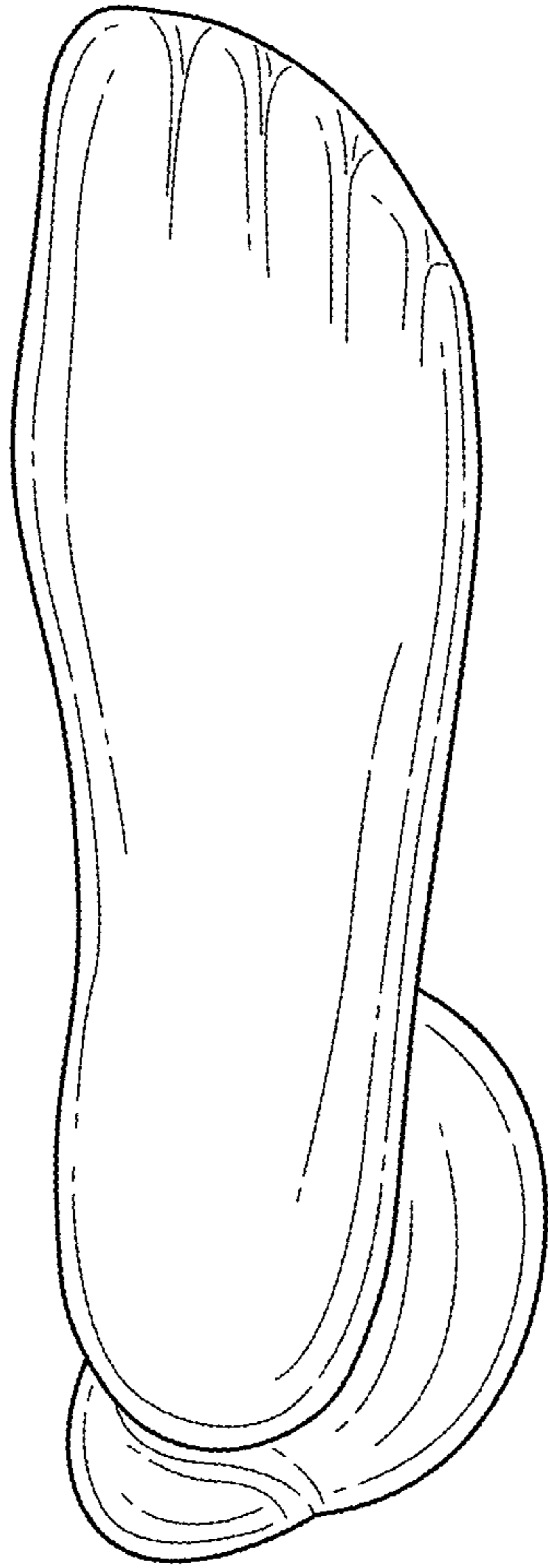


FIG.7

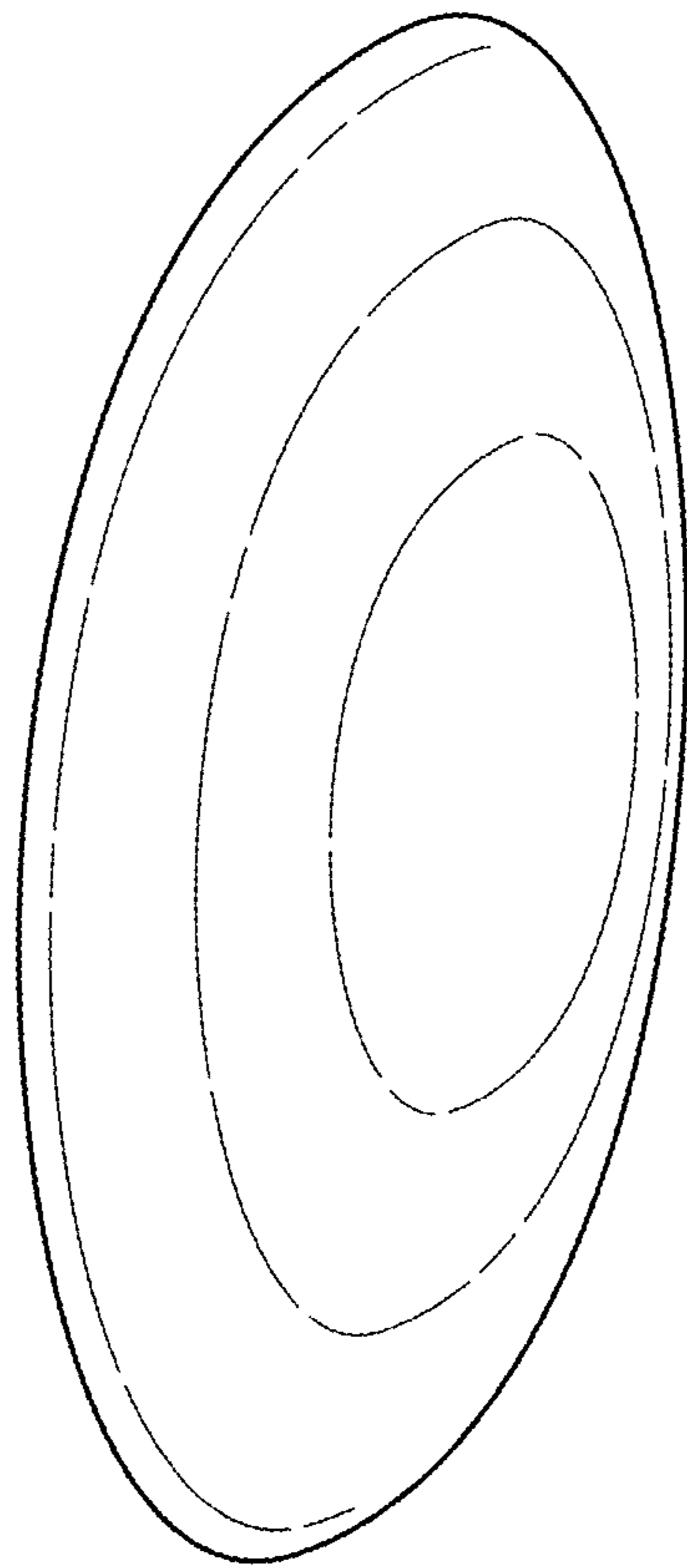


FIG. 8

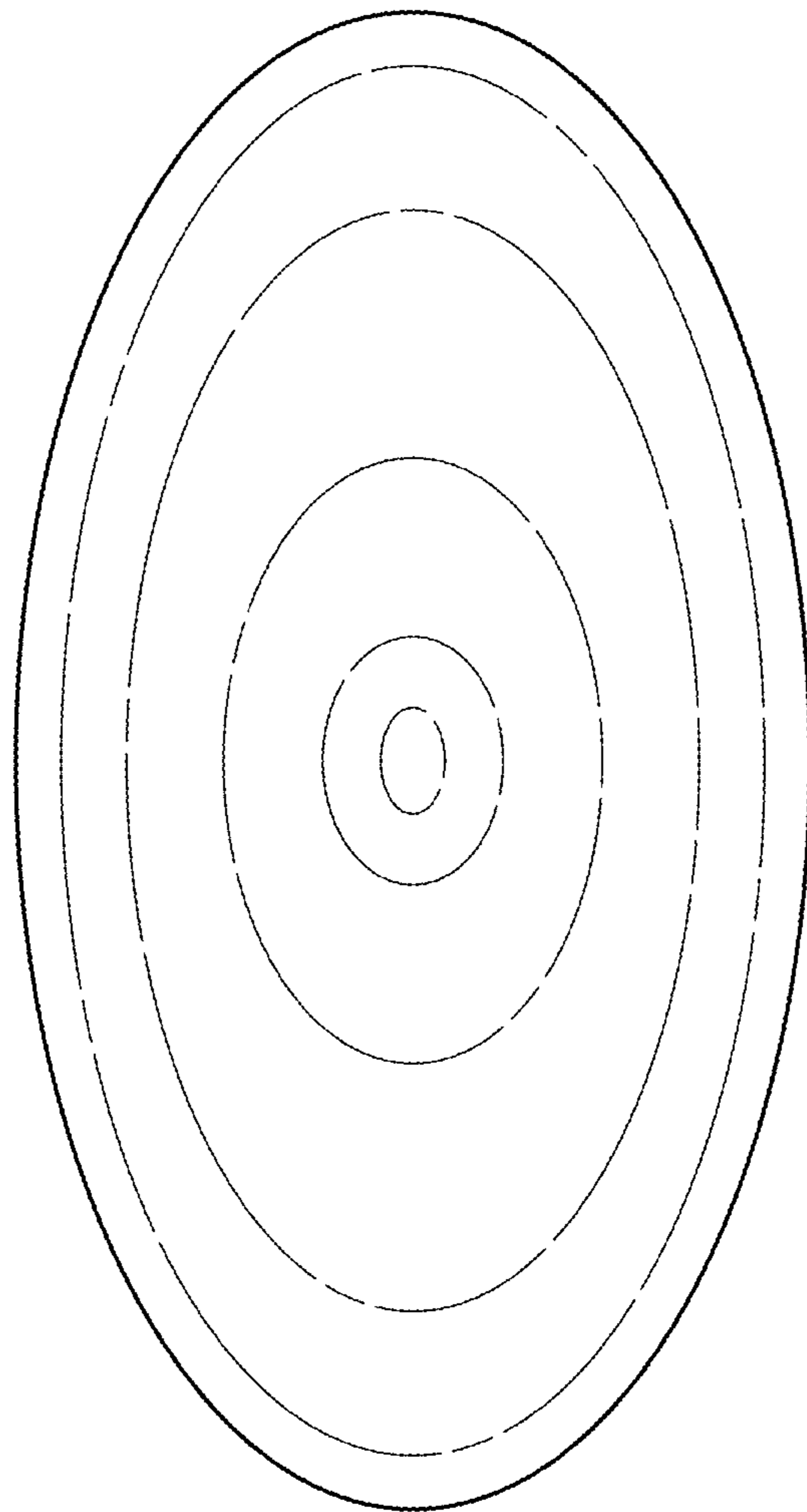


FIG.9

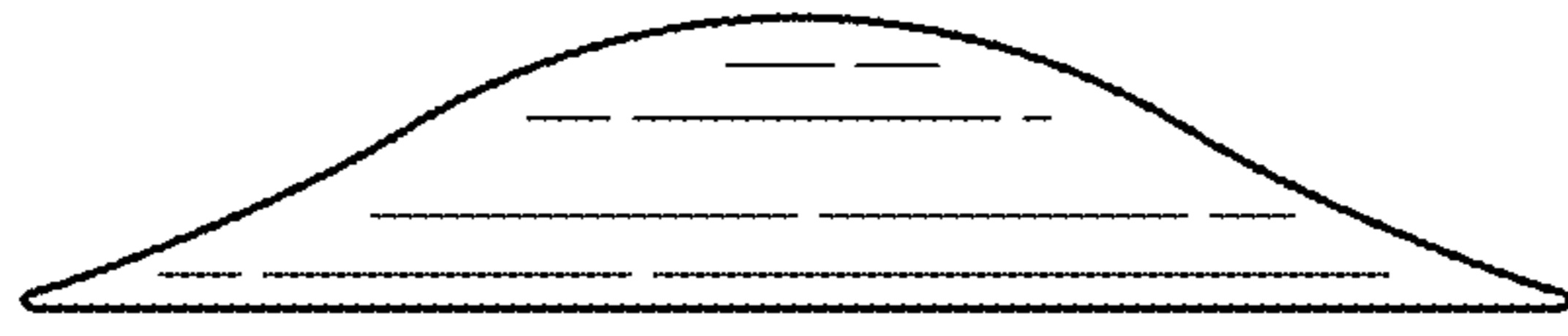


FIG.10

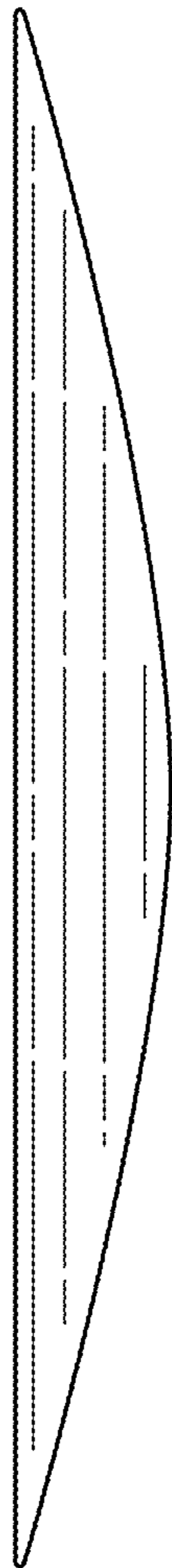


FIG.11