



US00D921347S

(12) **United States Design Patent**
Chao et al.

(10) **Patent No.:** **US D921,347 S**
(45) **Date of Patent:** **** Jun. 8, 2021**

- (54) **SHOE**
- (71) Applicant: **Cole Haan LLC**, Greenland, NH (US)
- (72) Inventors: **Pablo Chao**, Greenland, NH (US);
Kyle Jenkins, Greenland, NH (US)
- (73) Assignee: **COLE HAAN LLC**, Greenland, NH (US)

- D331,658 S * 12/1992 Blissett D2/955
- D335,572 S * 5/1993 Peterson D2/959
- D389,995 S * 2/1998 Cockrell D2/947
- D394,342 S * 5/1998 Schneider D2/959
- D401,743 S * 12/1998 Wunsch D2/954
- D402,451 S * 12/1998 Wunsch D2/959
- D412,239 S * 7/1999 Sorofman D2/959
- D427,758 S * 7/2000 Schneider D2/951
- D446,636 S * 8/2001 McClaskie D2/951
- D446,914 S * 8/2001 Cockrell D2/959

(Continued)

(**) Term: **15 Years**

(21) Appl. No.: **29/713,108**

(22) Filed: **Nov. 13, 2019**

(51) **LOC (13) Cl.** **02-04**

(52) **U.S. Cl.**
USPC **D2/959**; D2/947; D2/951; D2/957;
D2/960

(58) **Field of Classification Search**
USPC D2/902, 906, 908, 916, 918, 925,
D2/946-962, 977; 36/1, 1.5, 3 B, 22 R,
36/24.5, 25 R, 28, 32 R, 34 R, 59 C,
36/67 A, 101-107, 114-116, 117.3, 117.4,
36/124-136
CPC A43B 13/00; A43B 13/02; A43B 13/023;
A43B 13/026; A43B 13/04; A43B 13/08;
A43B 13/10; A43B 13/12; A43B 13/14;
A43B 13/141; A43B 13/143; A43B
13/16; A43B 13/18; A43B 13/181; A43B
13/187; A43B 13/189; A43B 13/20; A43B
13/22; A43B 13/223; A43B 13/24; A43B
13/28; A43B 13/30; A43B 13/32; A43B
13/34; A43B 13/36

See application file for complete search history.

(56) **References Cited**

U.S. PATENT DOCUMENTS

- D301,184 S * 5/1989 Hase D2/954
- D316,627 S * 5/1991 Schneider D2/959
- D329,132 S * 9/1992 Ostberg D2/953

OTHER PUBLICATIONS

GrandPro Rally Laser Cut Sneaker, ColeHaan.com, [online], [site visited Jan. 28, 2021]. <URL: Men's GrandPro Rally Laser Cut Sneaker in Ironstone-Optic White | Cole Haan> (Year: 2021).*

(Continued)

Primary Examiner — T Chase Nelson
Assistant Examiner — Jonathan J. Han
 (74) *Attorney, Agent, or Firm* — Thompson Coburn LLP

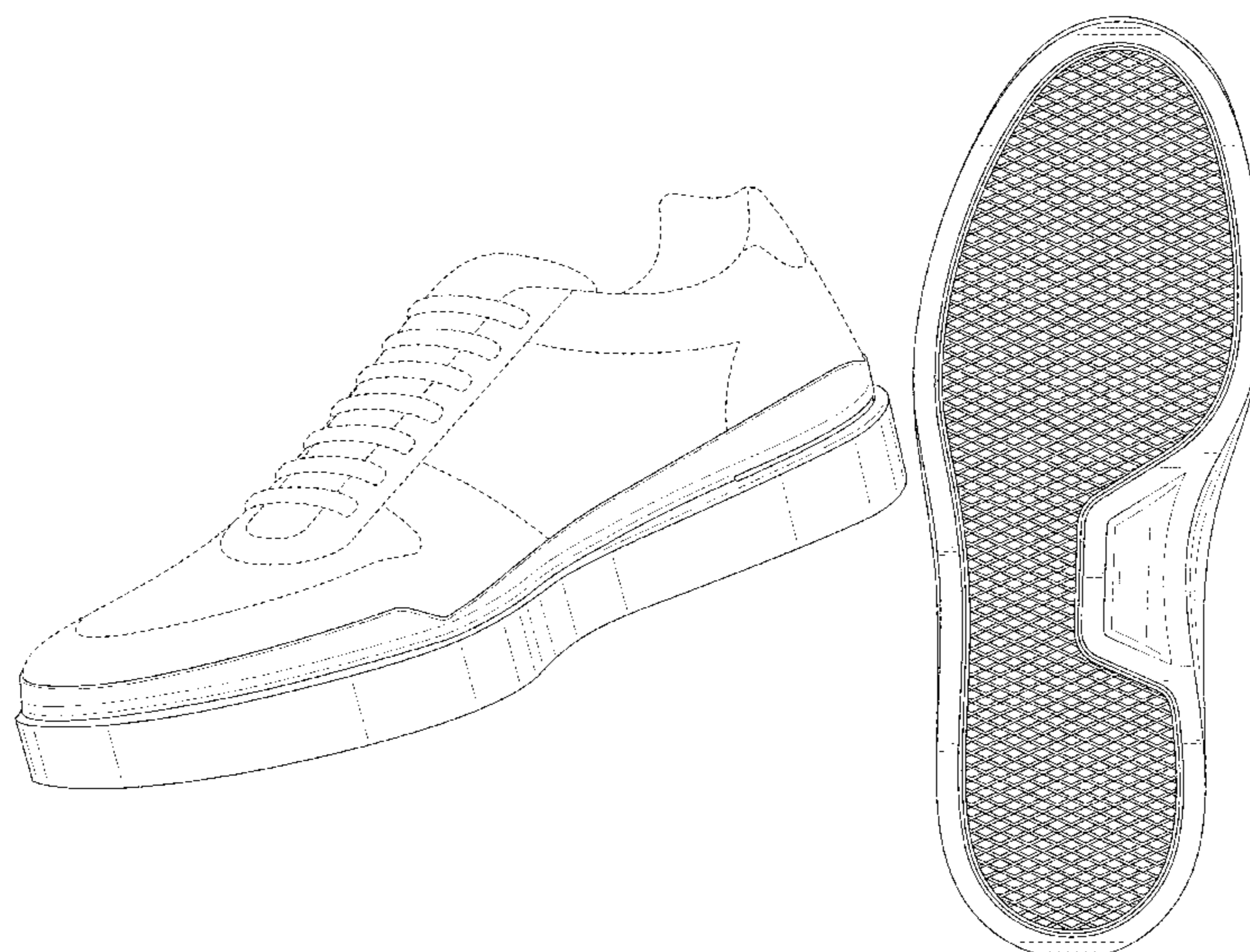
(57) **CLAIM**

The ornamental design for a shoe, as shown and described.

DESCRIPTION

FIG. 1 is a first perspective view of a shoe showing our new design;
 FIG. 2 is a second perspective view thereof;
 FIG. 3 is a front view thereof;
 FIG. 4 is a rear view thereof;
 FIG. 5 is a left side view thereof;
 FIG. 6 is a right side view thereof;
 FIG. 7 is a top view thereof;
 FIG. 8 is a bottom view thereof; and,
 FIG. 9 is third perspective view thereof.
 The broken lines are directed to environment and are for illustrative purposes only; the broken lines form no part of the claimed design.

1 Claim, 8 Drawing Sheets



(56)

References Cited

U.S. PATENT DOCUMENTS

D462,159 S * 9/2002 Covatch D2/951
 D488,916 S * 4/2004 McClaskie D2/957
 D509,949 S * 9/2005 Wu D2/951
 D541,017 S * 4/2007 McClaskie D2/951
 D554,839 S * 11/2007 Jensen D2/957
 D565,286 S * 4/2008 McClaskie D2/954
 D566,937 S * 4/2008 St-Louis D2/953
 D569,088 S * 5/2008 Poetsch D2/949
 D580,143 S * 11/2008 Schoenborn D2/950
 D634,923 S * 3/2011 Lacey D2/960
 D638,616 S * 5/2011 Gibson D2/959
 D656,716 S * 4/2012 Eades D2/917
 D865,336 S * 11/2019 Jenkins D2/907
 D879,438 S * 3/2020 Brosseau D2/959
 D885,028 S * 5/2020 Yu D2/959
 D891,049 S * 7/2020 Chao D2/944
 D893,152 S * 8/2020 Jenkins D2/959
 D894,563 S * 9/2020 Weddle D2/957

D894,571 S * 9/2020 Jenkins D2/959
 2013/0118036 A1* 5/2013 Gibson A43B 13/223
 36/103
 2014/0109440 A1* 4/2014 McDowell A43B 9/00
 36/103
 2019/0365035 A1* 12/2019 Jenkins A43B 13/18

OTHER PUBLICATIONS

Cole Haan GrandPro Rally Laser Cut Sneaker Review (16 hours walk test review), YouTube.com, Dec. 20, 2020, Jan The reviewer, [online], [site visited Jan. 28, 2021]. <URL: Cole Haan GrandPro Rally Laser Cut Sneaker Review (16 hours walk test review)—YouTube> (Year: 2020).*

Emerica The Tempster—First Look Review, VeganSkateBlog.com, Posted on Feb. 22, 2013 by Kerry Weber, [online], [site visited Jan. 28, 2021]. <URL: Emerica The Tempster—First Look Review | Vegan Skate Blog> (Year: 2013).*

* cited by examiner

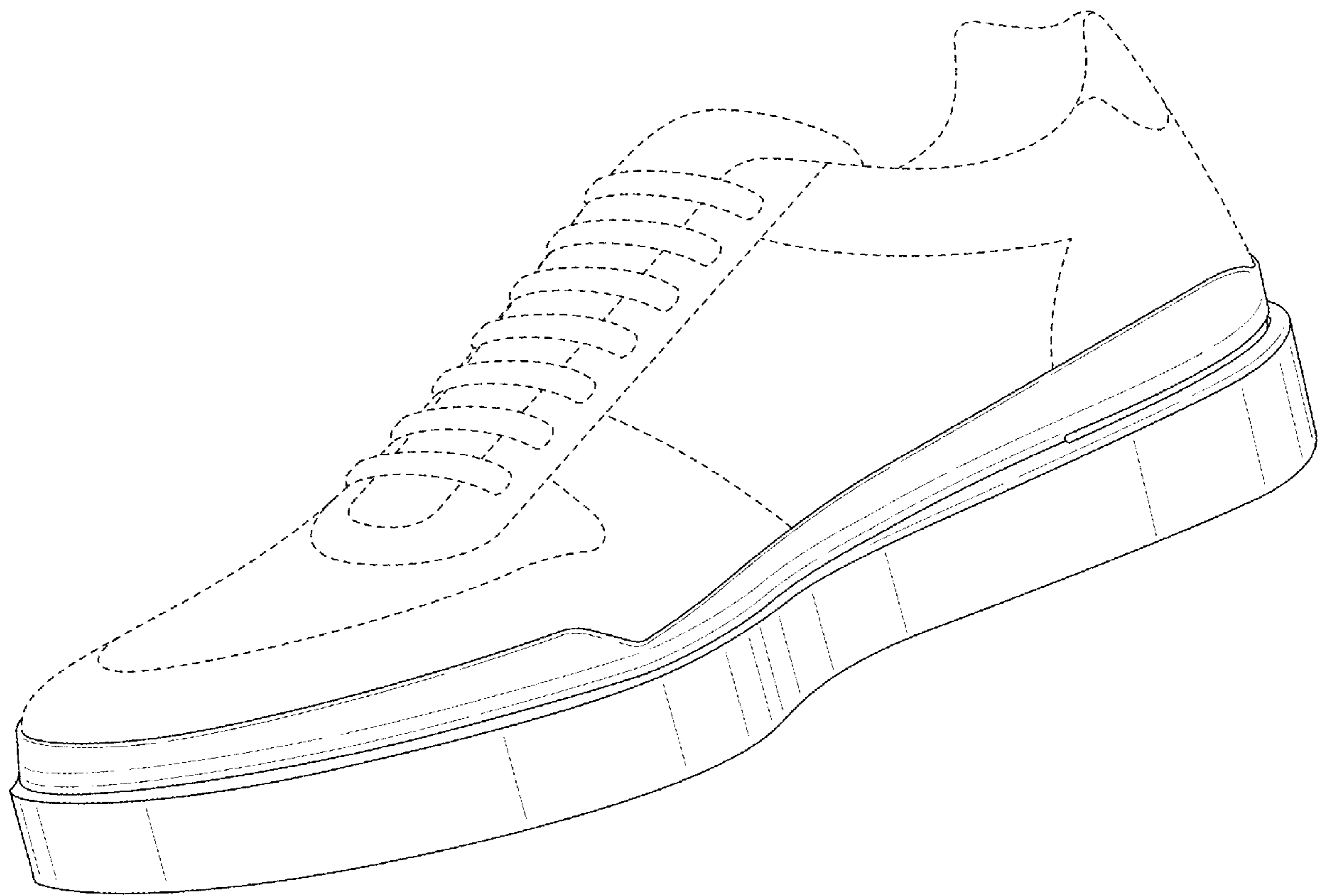


FIG. 1

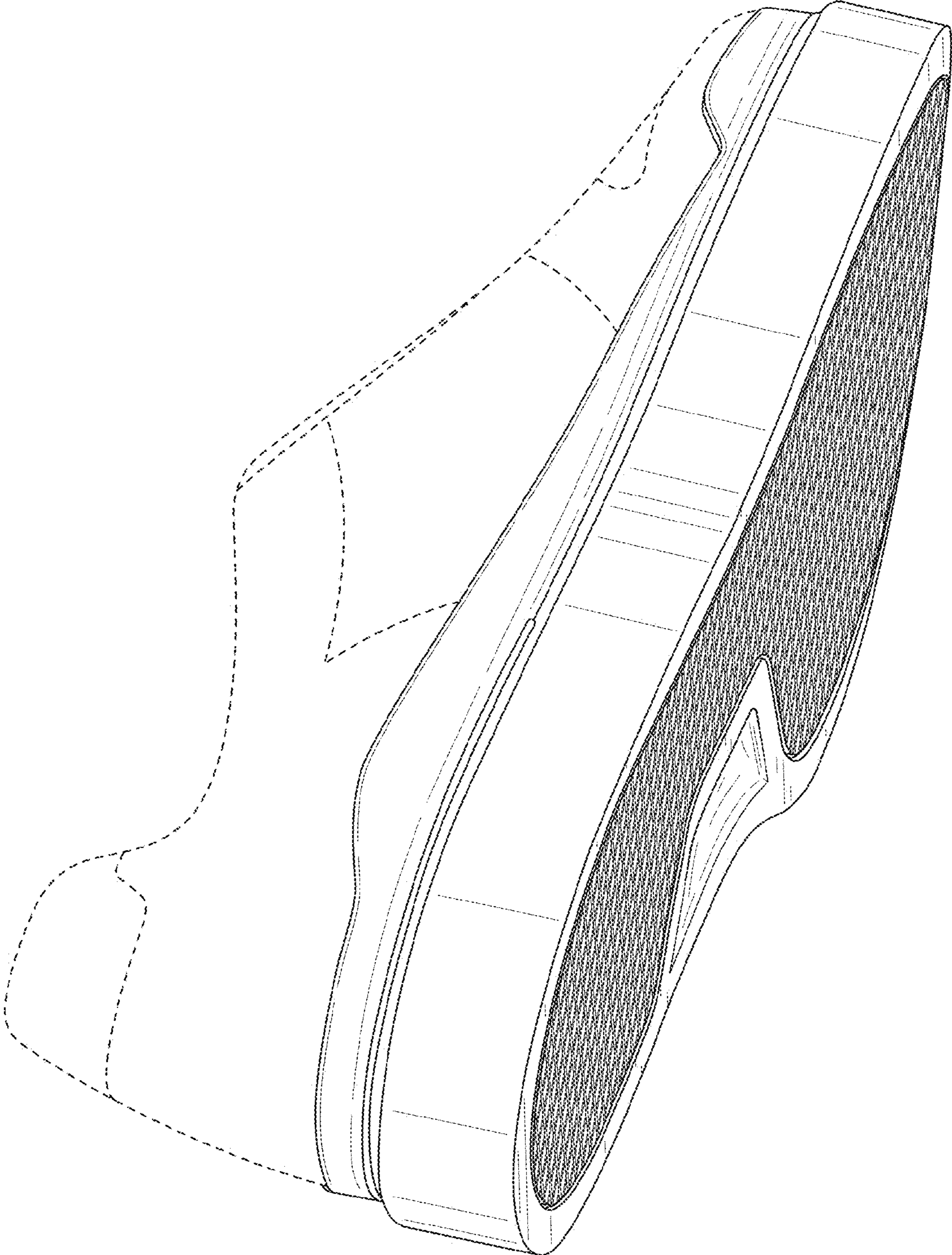


FIG. 2

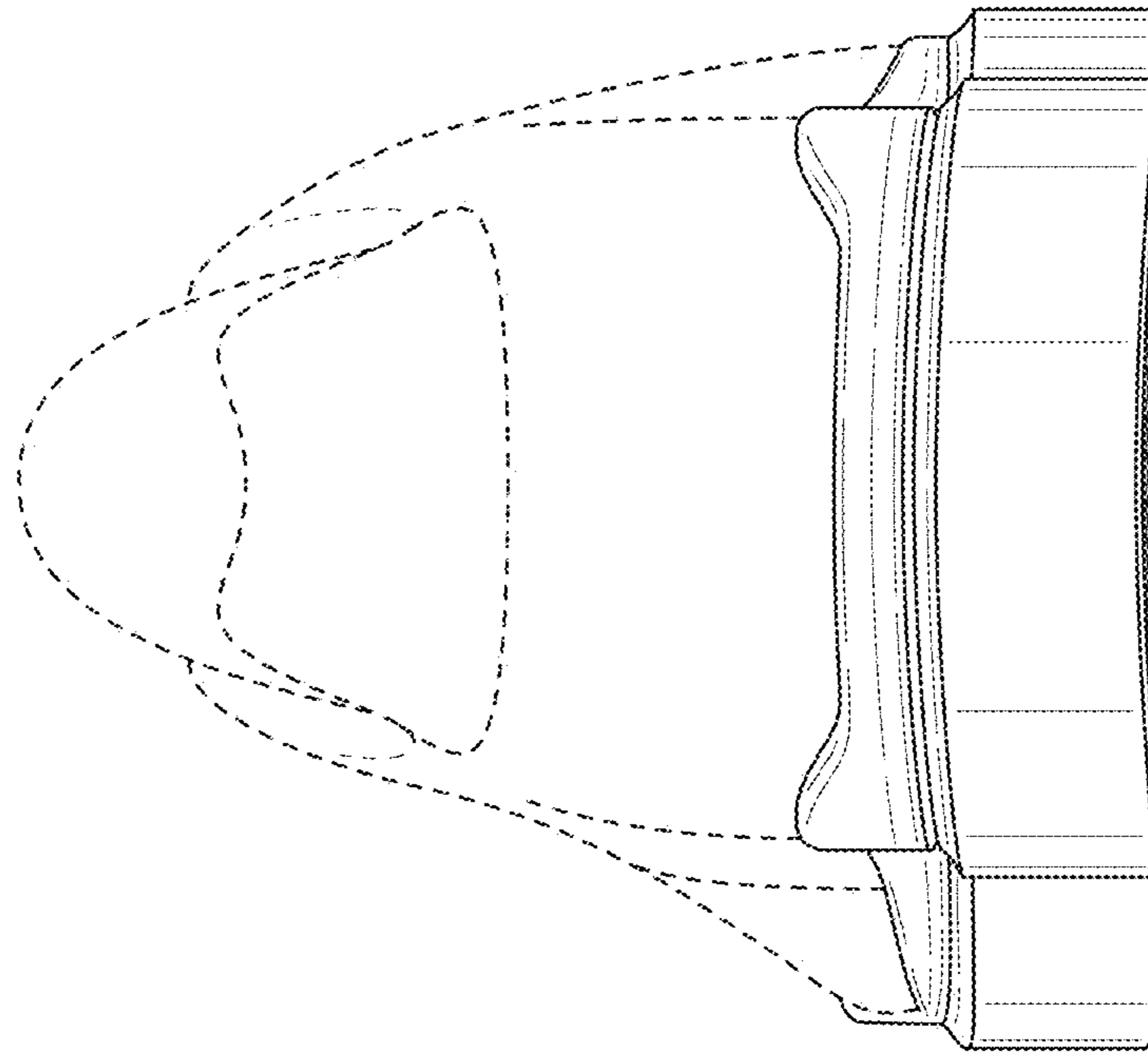


FIG. 3

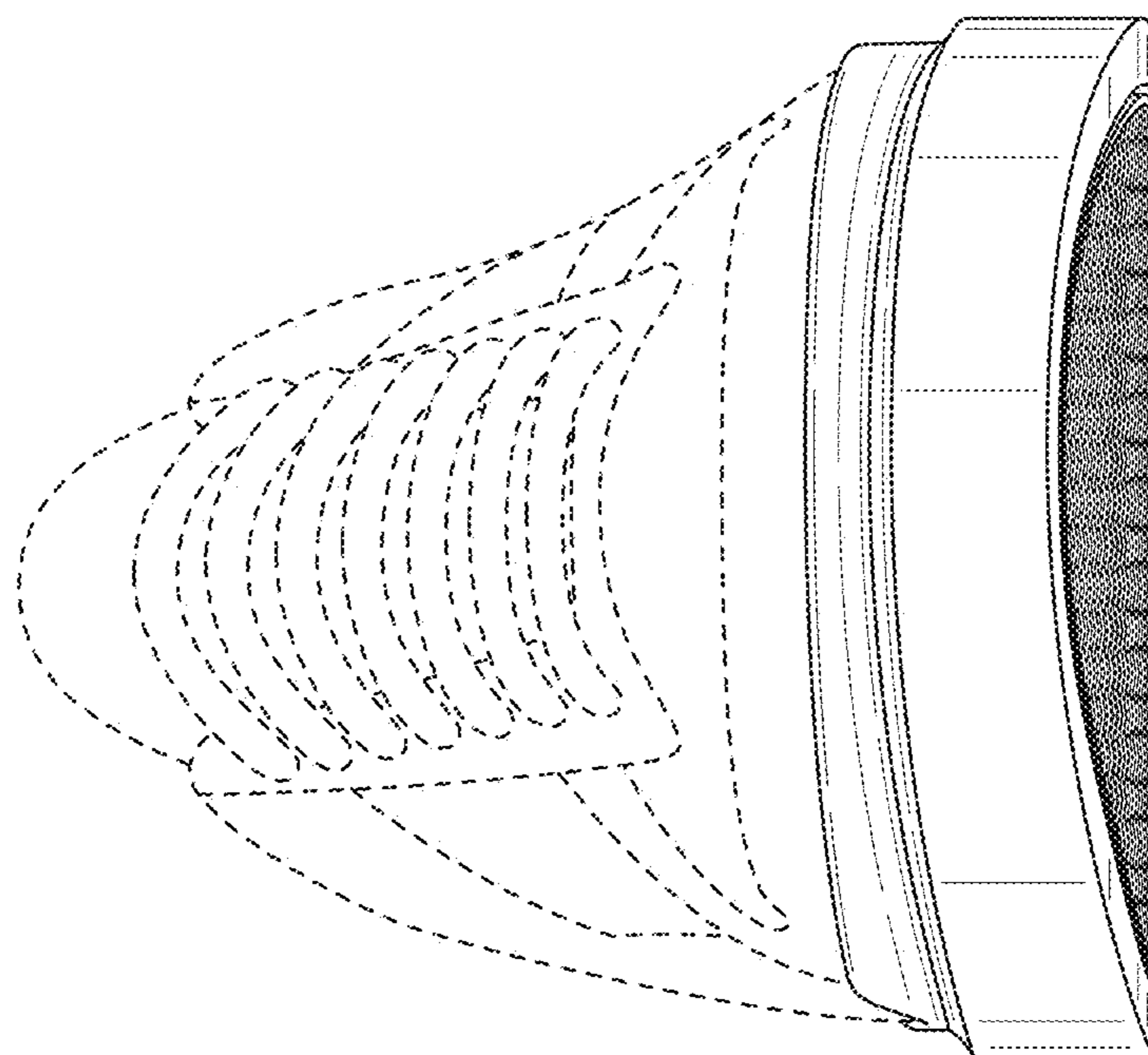


FIG. 4

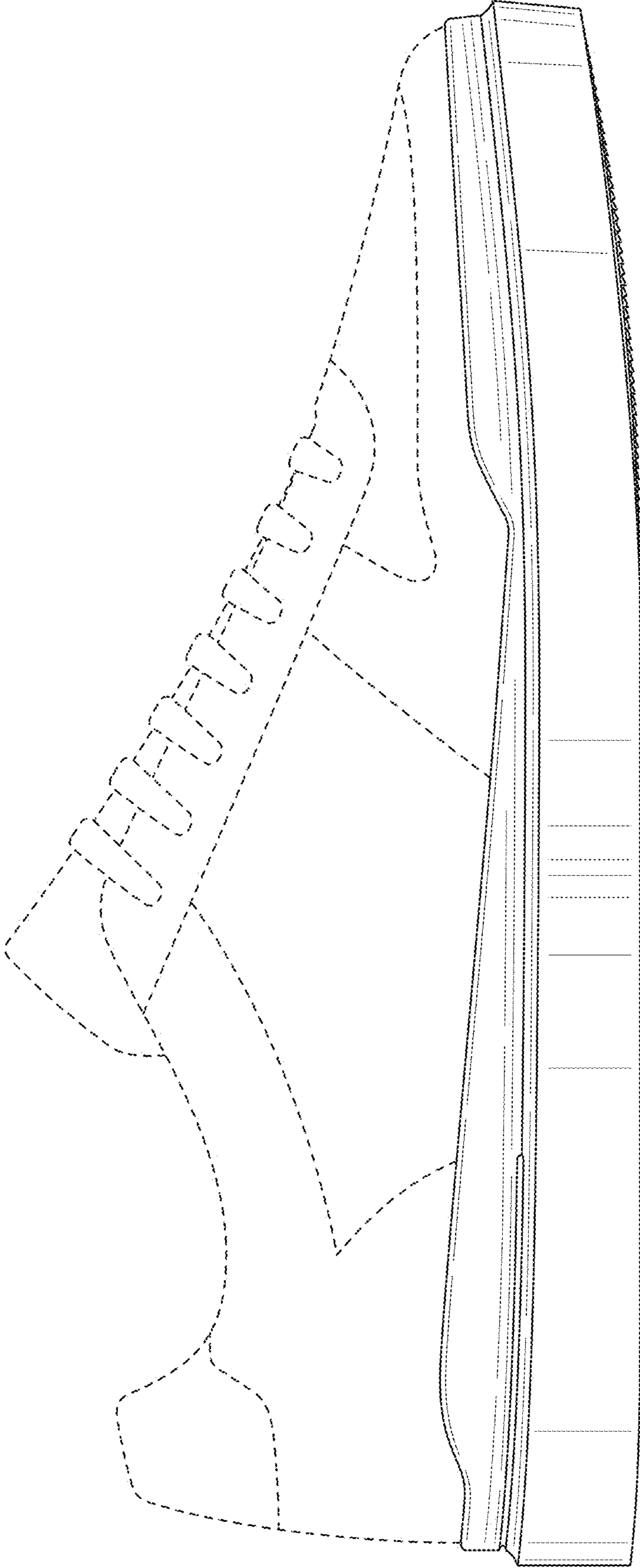


FIG. 5

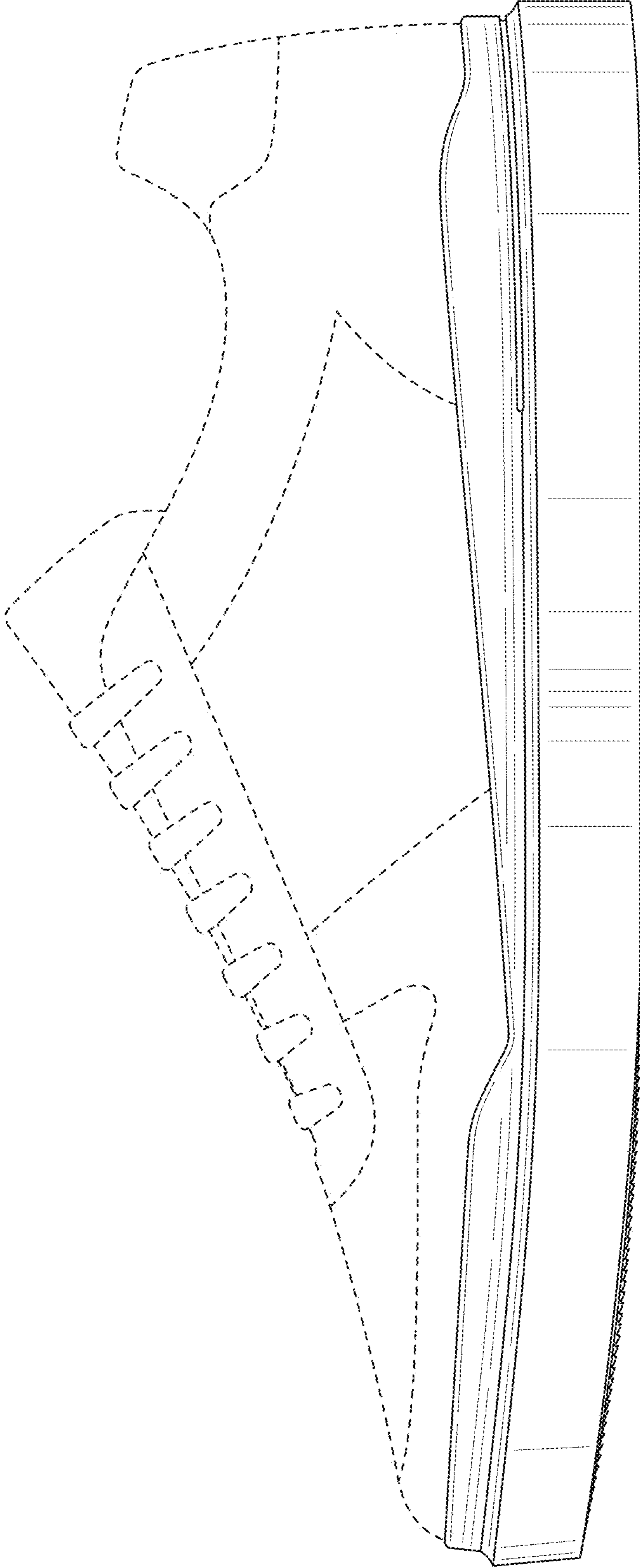


FIG. 6

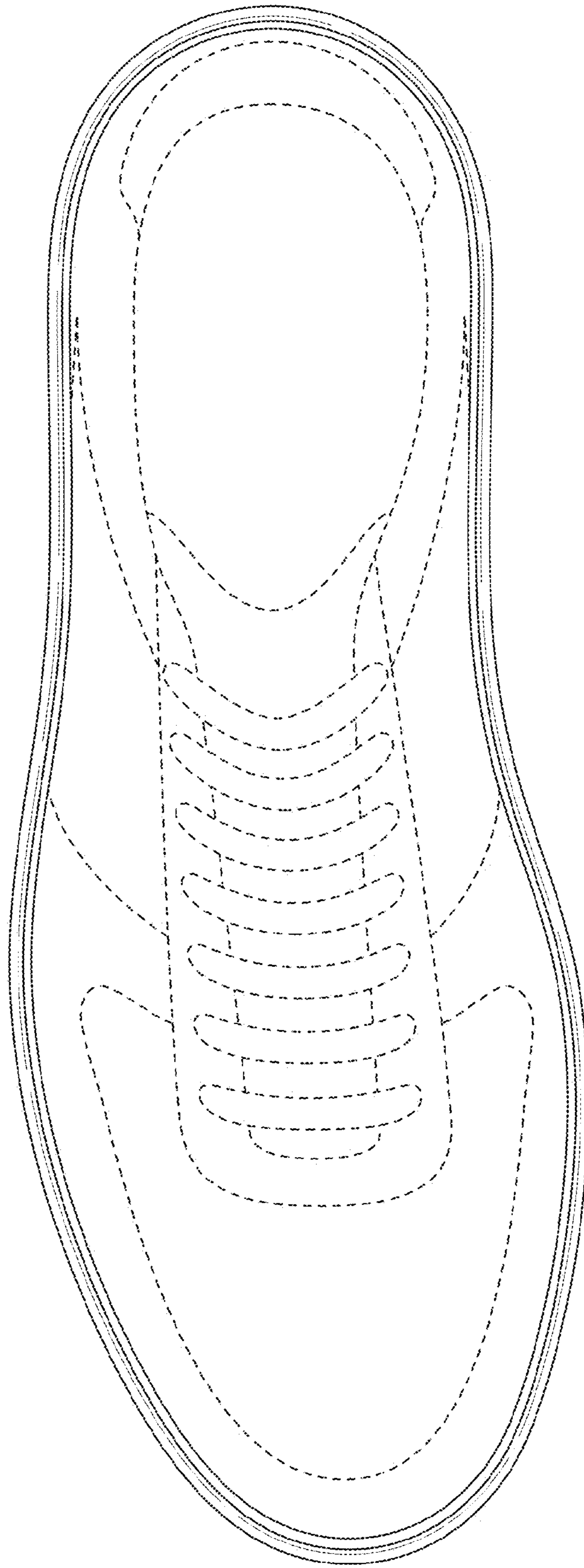


FIG. 7

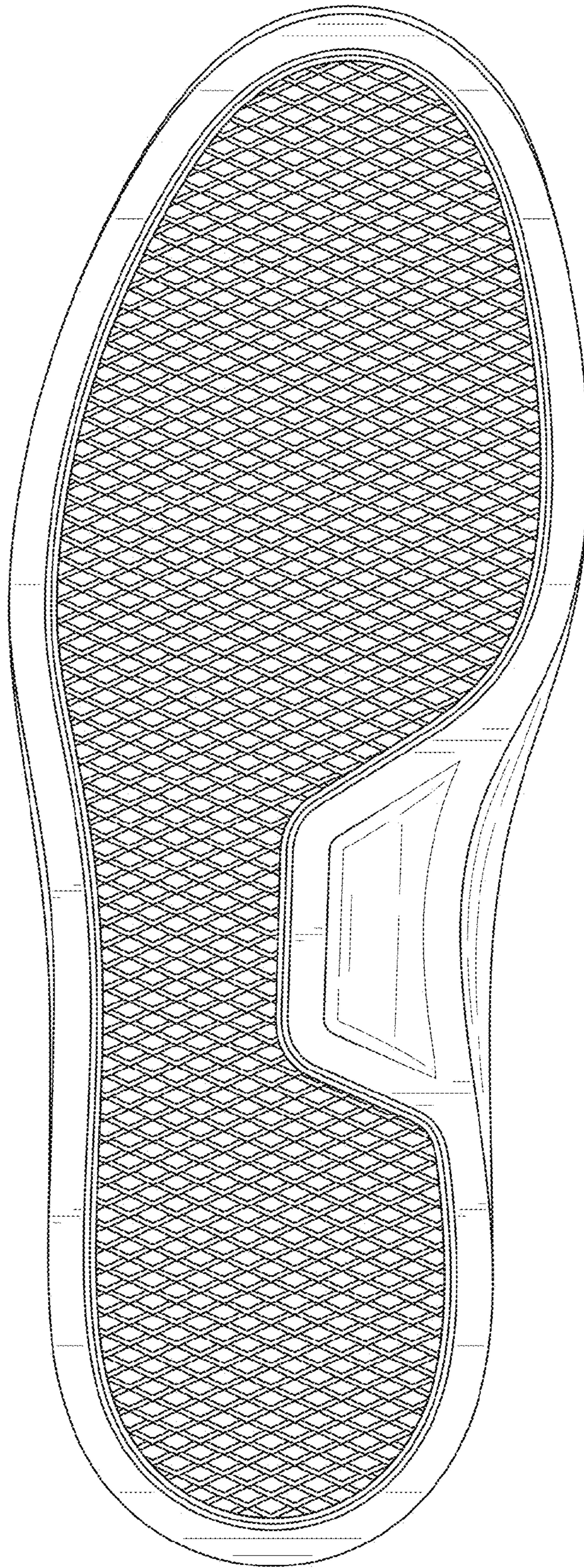


FIG. 8

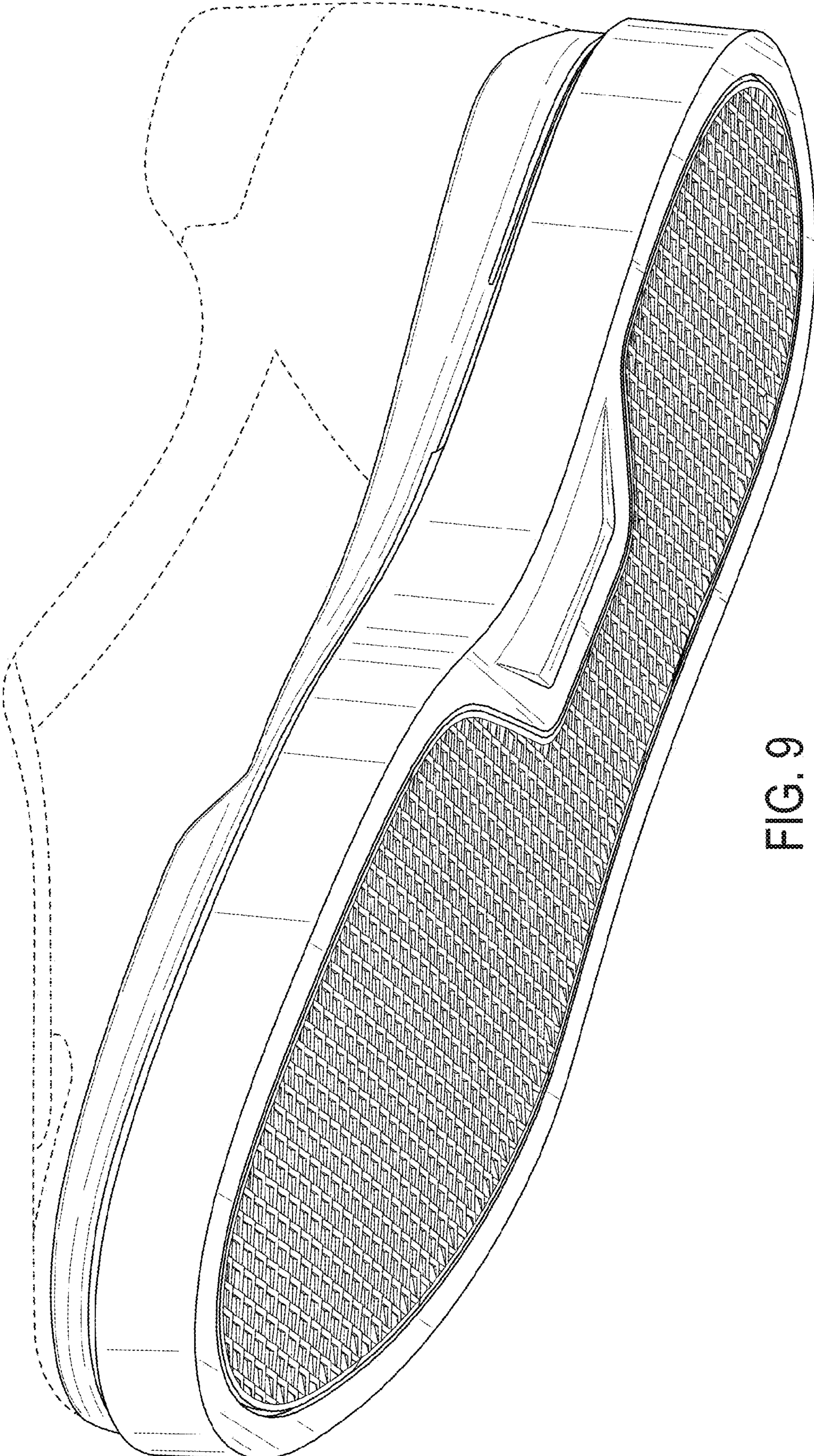


FIG. 9