



US00D921335S

(12) **United States Design Patent**
Morton

(10) **Patent No.:** **US D921,335 S**

(45) **Date of Patent:** **** Jun. 8, 2021**

(54) **VISOR**

(71) Applicant: **Abby Elaine Morton**, Reno, NV (US)

(72) Inventor: **Abby Elaine Morton**, Reno, NV (US)

(**) Term: **15 Years**

(21) Appl. No.: **29/703,819**

(22) Filed: **Aug. 29, 2019**

(51) **LOC (13) Cl.** **02-03**

(52) **U.S. Cl.**
USPC **D2/876**

(58) **Field of Classification Search**
USPC D2/865, 866, 871, 872, 873, 875, 876,
D2/882, 884, 893

CPC .. A42B 1/00; A42B 1/004; A42B 1/02; A42B
1/06; A42B 1/062; A42B 1/201; A42B
1/22; A42B 1/225; A42B 1/24

See application file for complete search history.

(56) **References Cited**

U.S. PATENT DOCUMENTS

D64,441 S	4/1924	Cavell	
2,994,090 A *	8/1961	Ostwald	A42C 5/02
			2/182.1
D237,758 S *	11/1975	Huffman	D2/876
5,007,109 A *	4/1991	Wheeler	A42B 1/247
			2/10
D336,763 S *	6/1993	Oehlschlaeger	D2/876
5,325,540 A	7/1994	Kronenberger	
D390,687 S	2/1998	Kazel	
D392,442 S *	3/1998	Stephenson	D2/882
D412,774 S *	8/1999	Shwartz	D2/865
D459,059 S	6/2002	Park	
D482,185 S	11/2003	Park	
D539,012 S	3/2007	Evans	
D559,503 S *	1/2008	Melton	D2/876
D589,235 S	3/2009	Kelleghan	
D608,985 S	2/2010	Whittington	
D623,384 S	9/2010	Balconi	

D632,875 S	2/2011	Bischel
D640,860 S	7/2011	Lambertz
D667,611 S	9/2012	Nguyen
D669,252 S	10/2012	Rogers
D682,513 S	5/2013	House
D683,111 S	5/2013	Rogers
D686,804 S	7/2013	Whittington
D744,726 S	12/2015	Shirai
D751,794 S	3/2016	Zenoff
D780,412 S	3/2017	Winton

(Continued)

OTHER PUBLICATIONS

Kea Peak Facebook Photo Publication [online], [photo published to the Internet on Feb. 10, 2019]; [retrieved from the Internet on Aug. 28, 2020]; URL: <https://www.facebook.com/keapeakbrand/photos/a.1996366617116004/2078115465607785/?type=3>. (1 page). (Year: 2019).*

(Continued)

Primary Examiner — Jasmine Mlinarcik

(74) *Attorney, Agent, or Firm* — Dunlap Bennett & Ludwig, PLLC; Brendan E. Squire

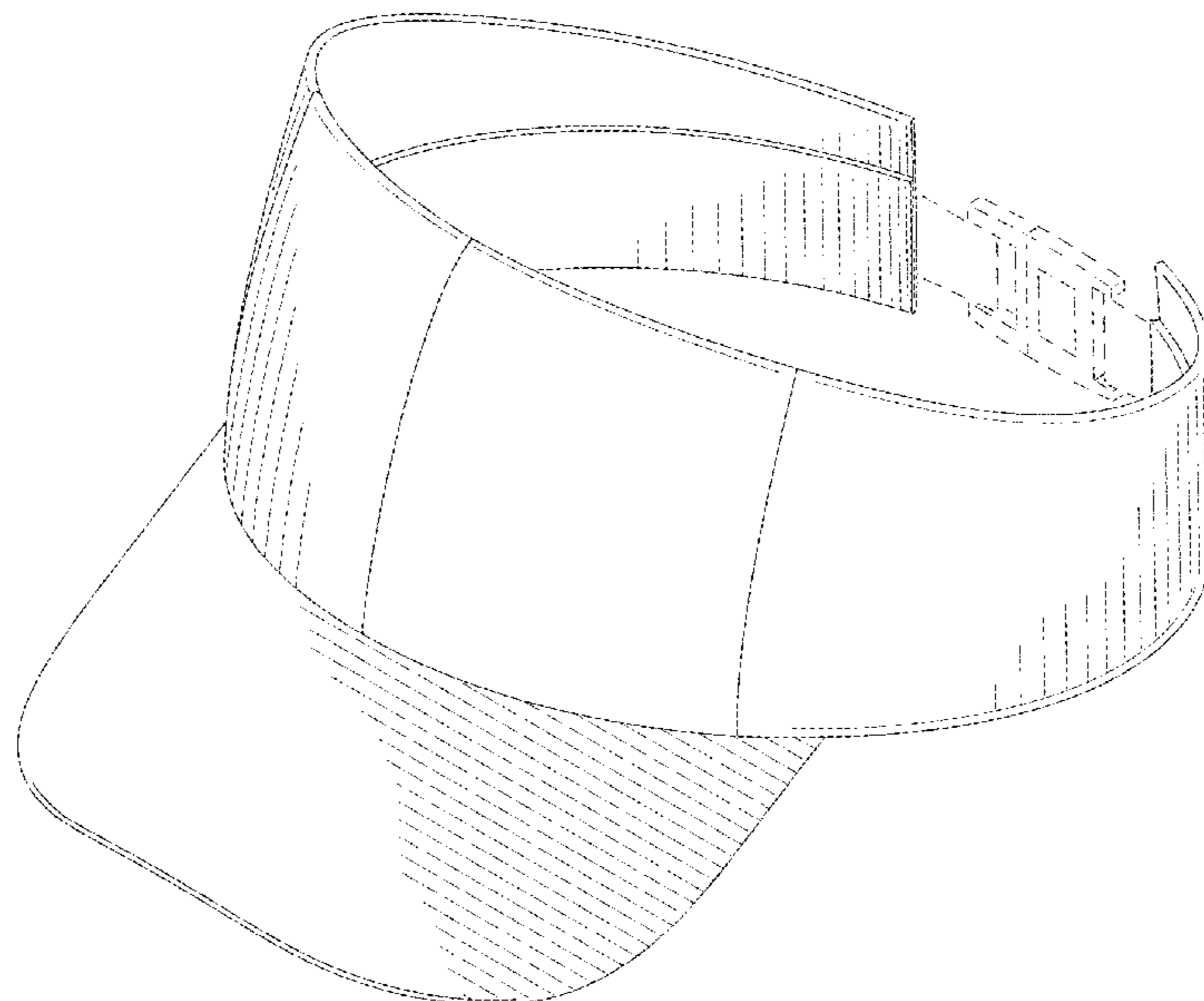
(57) **CLAIM**

The ornamental design for a visor, as shown and described.

DESCRIPTION

FIG. 1 is a top front perspective view of a visor showing my new design;
FIG. 2 is a right side elevation view thereof, with the left elevation view being a mirror image thereof;
FIG. 3 is a front elevation view thereof;
FIG. 4 is a rear elevation view thereof;
FIG. 5 is a top plan view thereof; and,
FIG. 6 is a bottom plan view thereof.
The broken lines shown in the drawings illustrate portions of the visor that form no part of the claimed design.

1 Claim, 4 Drawing Sheets



(56)

References Cited

U.S. PATENT DOCUMENTS

D781,533 S 3/2017 Blount
D793,674 S * 8/2017 Flatt D2/876
D804,152 S * 12/2017 Combs D2/876
D821,066 S 6/2018 Mercado
D834,792 S * 12/2018 Dann D2/876
D892,451 S * 8/2020 Duvall D2/876
2006/0090247 A1 * 5/2006 Cho A61F 9/045
2/209.3
2006/0117460 A1 6/2006 Yan
2009/0025113 A1 * 1/2009 Kelleghan A42B 1/24
2/12

OTHER PUBLICATIONS

Kea Peak Facebook Photo Publication [online], [photo published to the Internet on Feb. 10, 2019]; [retrieved from the Internet on Aug. 28, 2020]; URL: <https://www.facebook.com/keapeakbrand/photos/a.2077871842298814/2077869885632343/?type=3>. (1 page). (Year: 2019).*

* cited by examiner

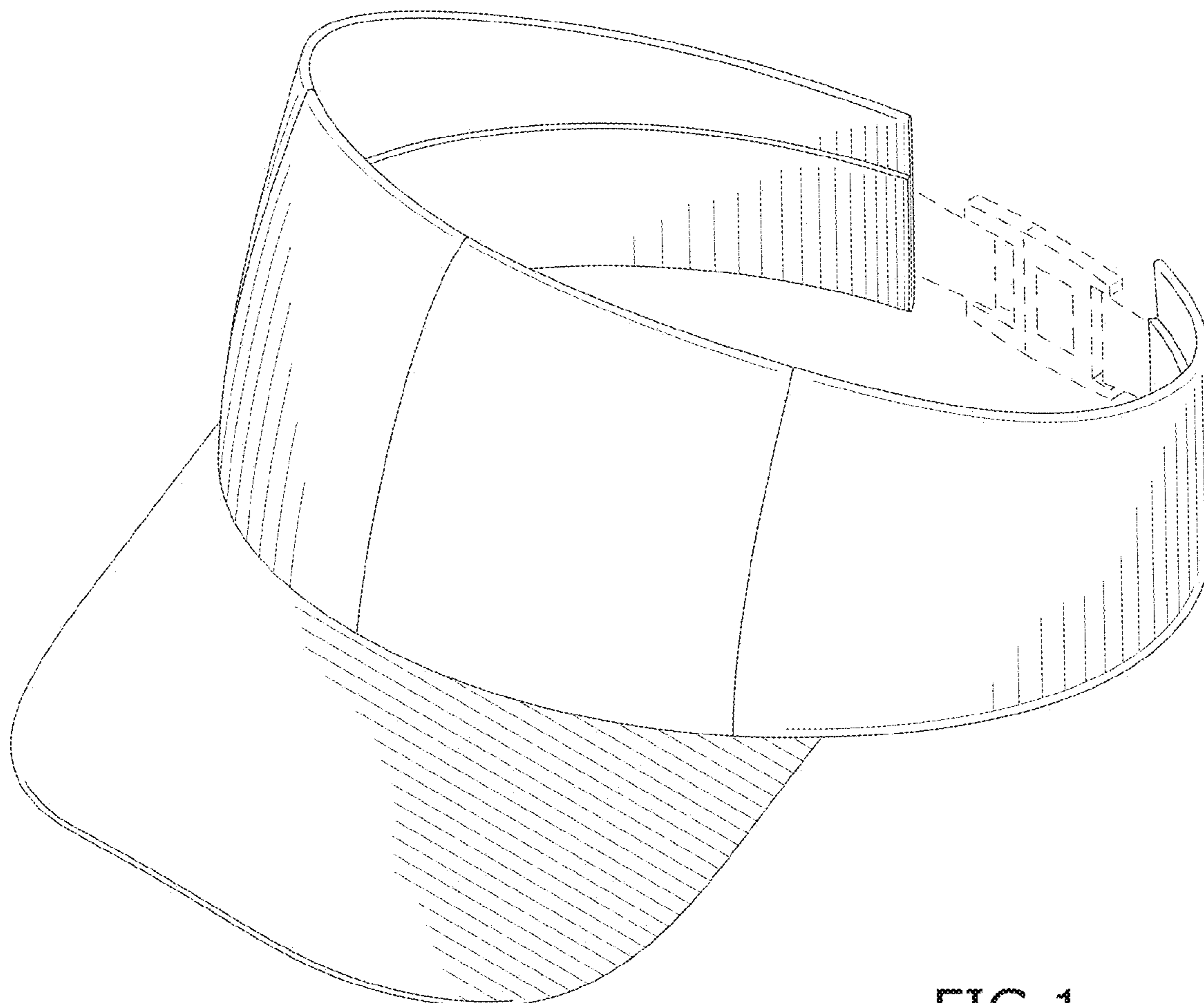


FIG. 1

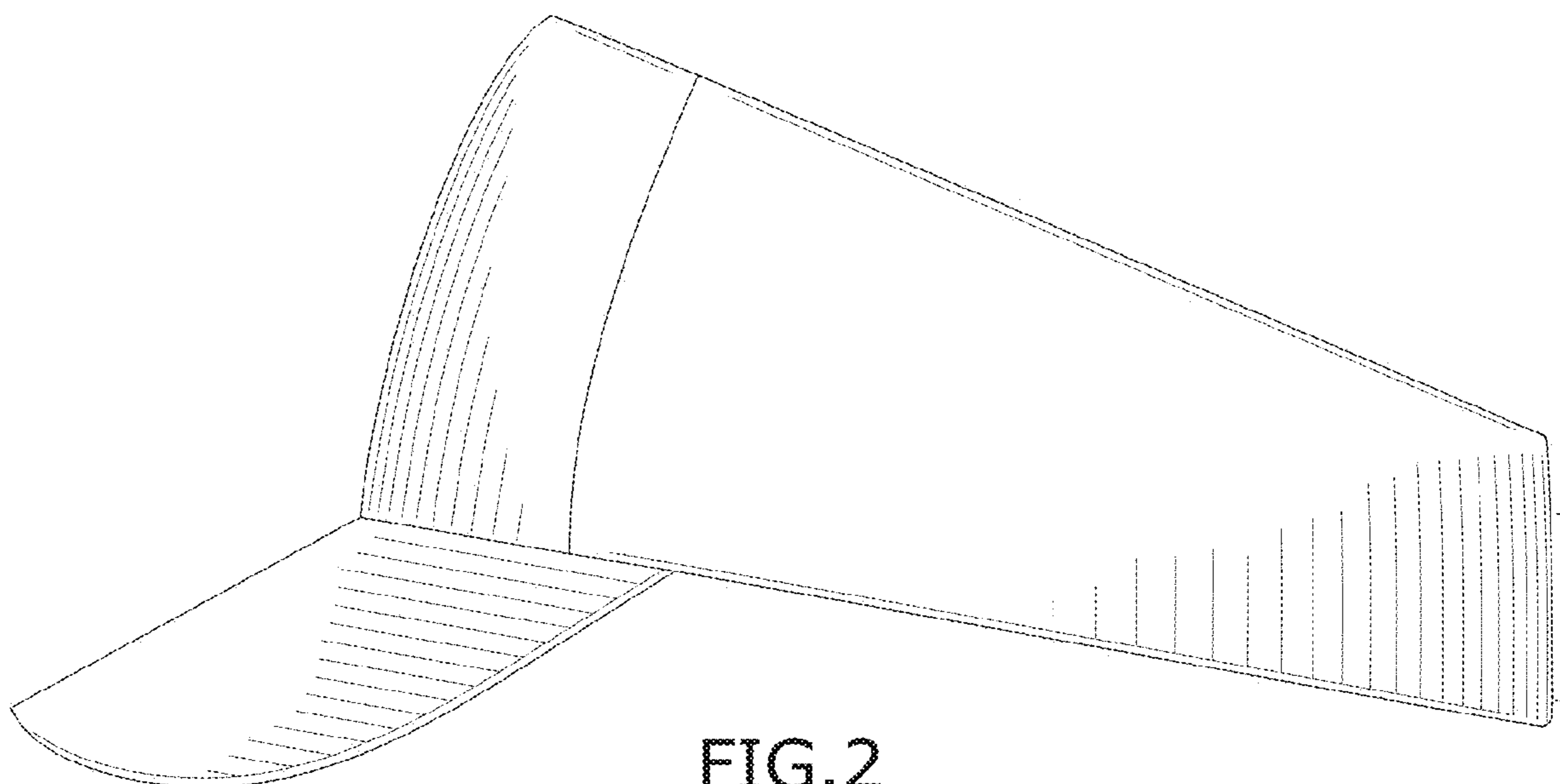


FIG. 2

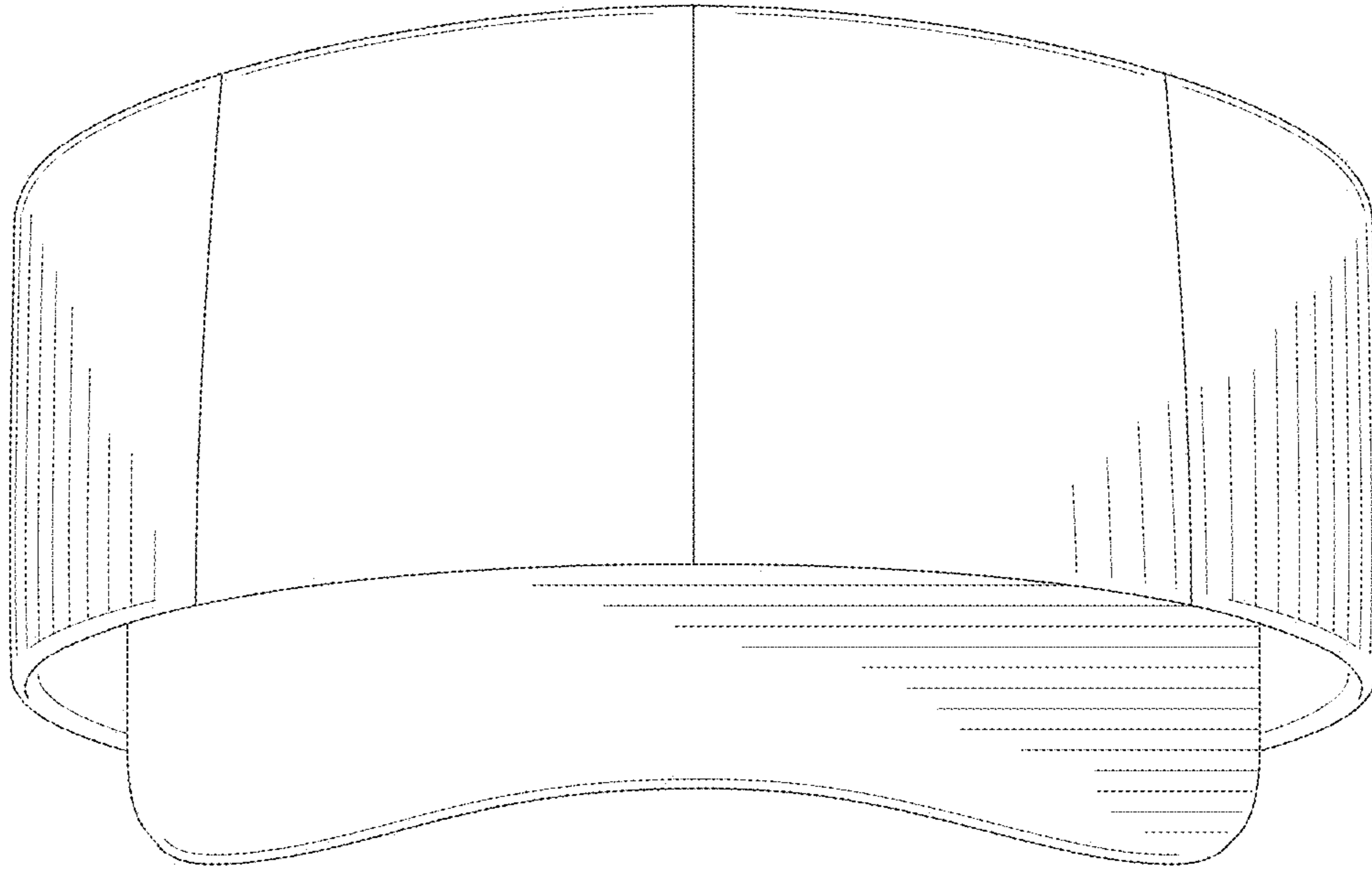


FIG. 3

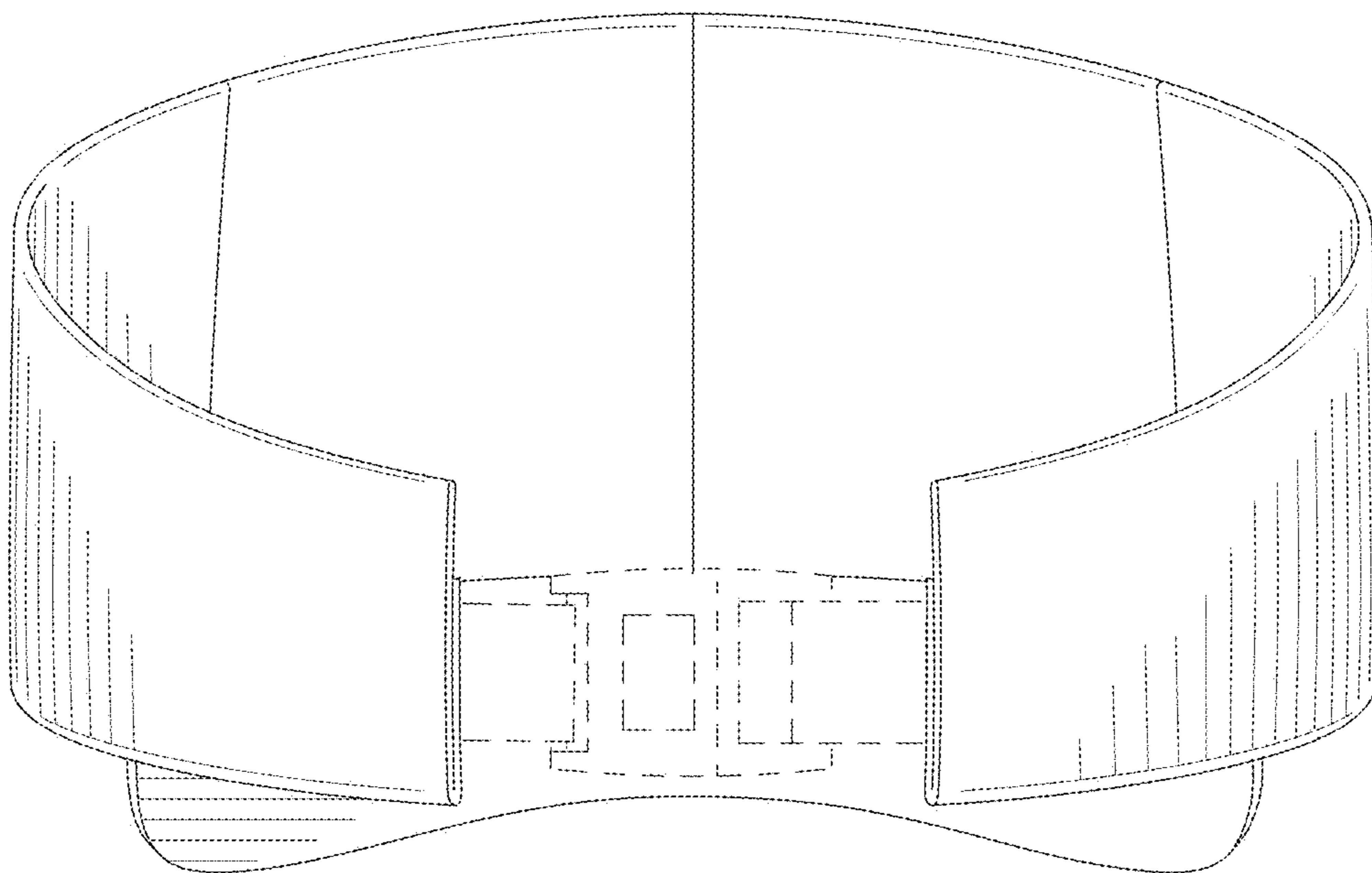


FIG. 4

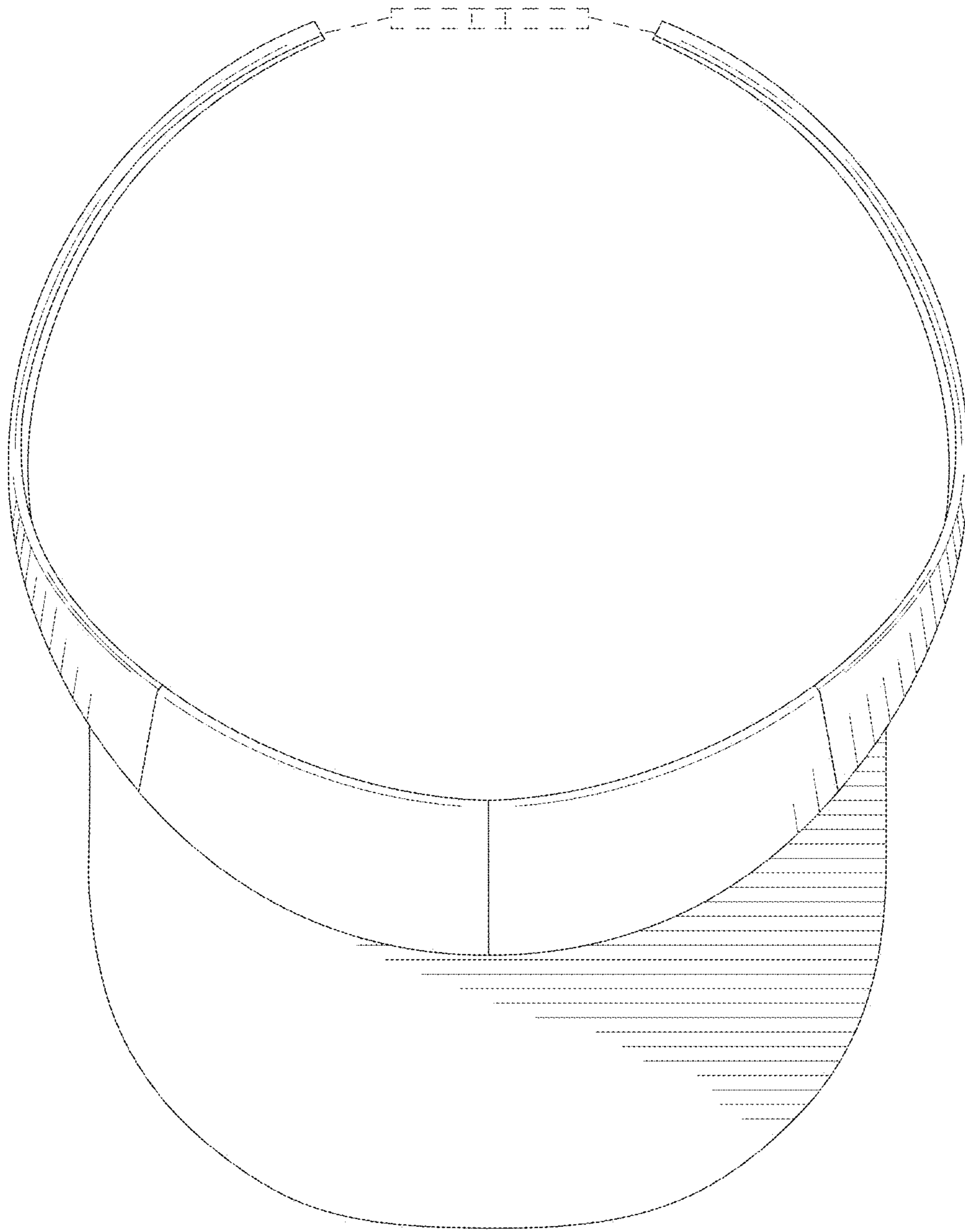


FIG. 5

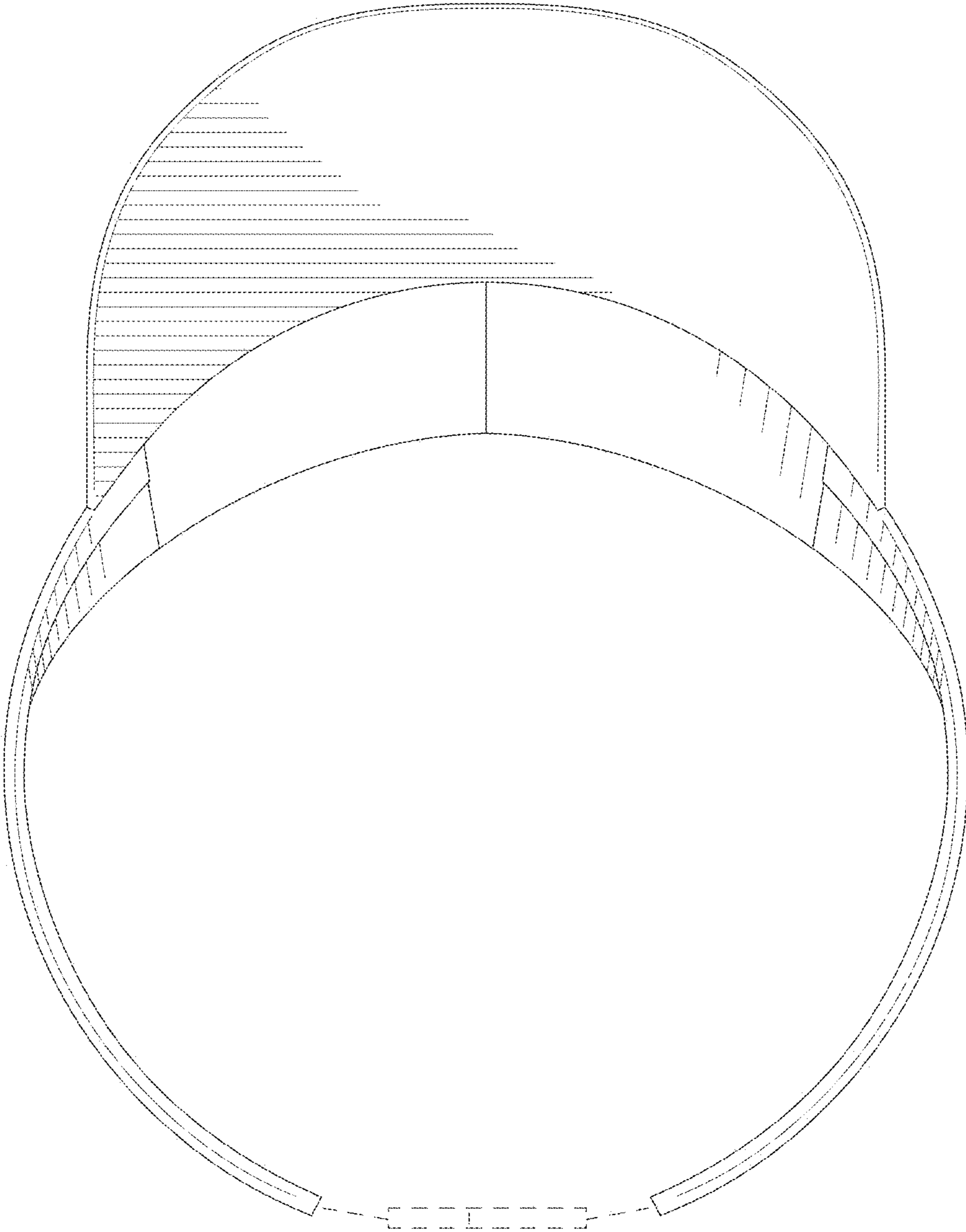


FIG.6