



US00D921327S

(12) **United States Design Patent**
van Eyk et al.

(10) **Patent No.:** **US D921,327 S**

(45) **Date of Patent:** **** Jun. 8, 2021**

(54) **SALMON PET TREAT**

(71) Applicant: **Spectrum Brands, Inc.**, Middleton, WI (US)

(72) Inventors: **Gregory van Eyk**, Christianburg, VA (US); **Tiffany Potter**, Pearisburg, VA (US); **Stephanie Hullverson**, Saint Louis, MO (US)

(73) Assignee: **Spectrum Brands, Inc.**, Middleton, WI (US)

(**) Term: **15 Years**

(21) Appl. No.: **29/739,541**

(22) Filed: **Jun. 26, 2020**

Related U.S. Application Data

(62) Division of application No. 29/681,325, filed on Feb. 25, 2019, now Pat. No. Des. 891,026.

(51) **LOC (13) Cl.** **01-01**

(52) **U.S. Cl.**
USPC **D1/127**

(58) **Field of Classification Search**

USPC D1/100–130, 199; 426/5, 76, 87, 92, 94, 426/95, 101, 103, 104, 108, 134, 426/138–139, 143, 144, 279, 282, 283, 426/391, 514, 549, 559, 560, 660, 808;
(Continued)

(56) **References Cited**

U.S. PATENT DOCUMENTS

D47,140 S * 3/1915 Newkirk D6/601
D68,619 S 11/1925 Epstein
(Continued)

OTHER PUBLICATIONS

“Zuke’s Z-Filets Select Grain Free Dog Treat Gilled Beef.” Walmart.com. Jan. 9, 2018. Web. Jan. 31, 2020. <<https://www.walmart.com/ip/Zuke-s-Z-Filets-Select-Grain-Free-Dog-Treat-Grilled-Beef-7>>.

Primary Examiner — Katie Jane Stofko

(74) *Attorney, Agent, or Firm* — Merchant & Gould P.C.

(57) **CLAIM**

The ornamental design for a salmon pet treat, as shown and described.

DESCRIPTION

FIG. 1 is a front, top, and right side perspective view of a first embodiment of a salmon pet treat according to the new design;

FIG. 2 is a front, bottom and left side perspective view thereof;

FIG. 3 is a front elevation view thereof;

FIG. 4 is a back elevation view thereof;

FIG. 5 is a right side elevation view thereof;

FIG. 6 is a left side elevation view thereof;

FIG. 7 is a top plan view thereof;

FIG. 8 is a bottom plan view thereof;

FIG. 9 is a front, top, and right side perspective view of a second embodiment of a salmon pet treat according to the new design;

FIG. 10 is a front, bottom and left side perspective view thereof;

FIG. 11 is a front elevation view thereof;

FIG. 12 is a back elevation view thereof;

FIG. 13 is a left side elevation view thereof;

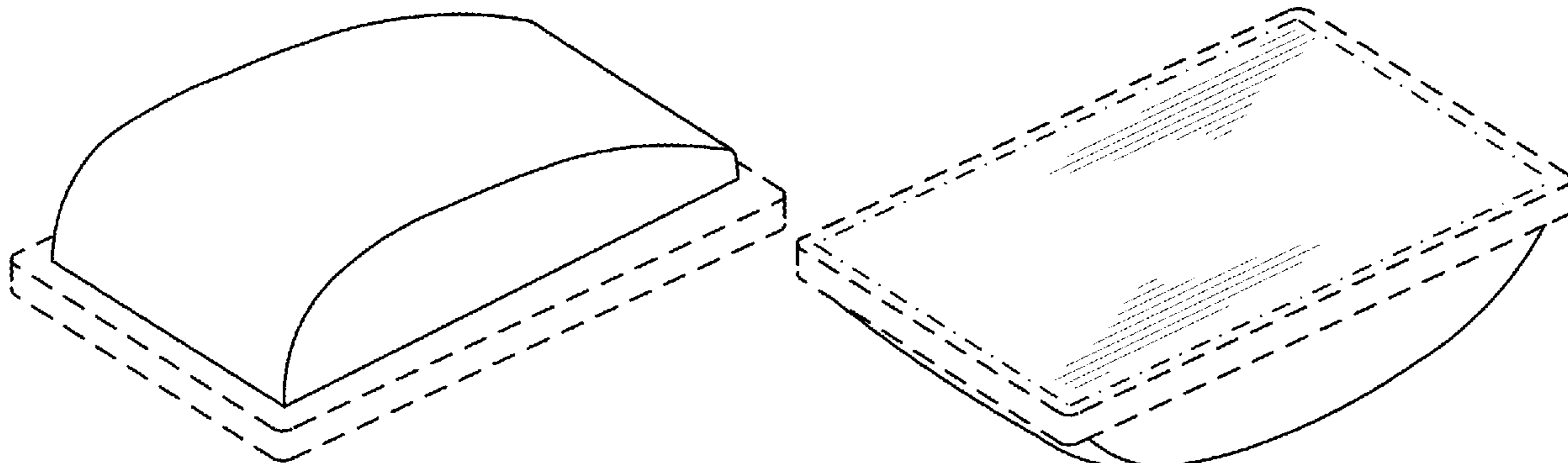
FIG. 14 is a right side elevation view thereof;

FIG. 15 is a top plan view thereof; and,

FIG. 16 is a bottom plan view thereof.

The evenly-spaced broken lines in FIGS. 1-16 illustrate portions of the salmon pet treat that form no part of the claimed design. The dash-dot-dash broken lines in FIGS. 10 and 16 illustrate the boundary of the claimed design which forms no part thereof.

1 Claim, 8 Drawing Sheets



US D921,327 S

Page 2

(58) Field of Classification Search

USPC D30/60; D11/1, 86; D21/386, 658;
D6/601
CPC B26D 3/11; A47J 37/043; A47J 37/049;
A47J 43/18; A22C 17/006; A22C
13/0013; A23L 1/164; A23L 1/005; A23B
4/10; B65D 81/343

See application file for complete search history.

(56)

References Cited

U.S. PATENT DOCUMENTS

2,212,764 A * 8/1940 York B23B 27/148
249/95
2,776,215 A 5/1951 Thomas
2,765,593 A * 10/1956 Salmon B24D 15/023
451/518
D247,209 S * 2/1978 Woog D24/215
D330,794 S 11/1992 Kesdekoglu
5,237,961 A 8/1993 Sarullo
D406,516 S 3/1999 Ali
D417,766 S 12/1999 Sherman et al.
D428,682 S 8/2000 Rapaport
D493,272 S 7/2004 Tarver
D495,116 S 8/2004 Trocme

6,770,318 B1 8/2004 Roussel et al.
D498,571 S 11/2004 Lawrenson et al.
D509,642 S 9/2005 Cudjoe
D510,171 S 10/2005 Lawrenson
D535,082 S 1/2007 Adkins
D551,426 S 9/2007 Ahmed et al.
D578,730 S 10/2008 Cowen-Hughes et al.
D592,376 S 5/2009 Wilson
D601,776 S * 10/2009 Loret D1/127
D604,929 S * 12/2009 Hartmann D1/127
D607,180 S 1/2010 Slusarczyk et al.
D607,181 S 1/2010 Slusarczyk et al.
D619,404 S * 7/2010 Castillo D6/609
D645,636 S 9/2011 Liu et al.
D658,347 S 5/2012 Gottardi
D665,557 S 8/2012 Afchain
D706,060 S * 6/2014 Chen D6/601
D714,574 S * 10/2014 Levy D6/601
D744,192 S 12/2015 Cole et al.
D781,076 S * 3/2017 Stokes D6/601
D796,775 S 9/2017 Amoako-Poku
D822,333 S 7/2018 Amoako-Poku et al.
D833,707 S * 11/2018 Colquhoun D1/127
D891,026 S * 7/2020 van Eyk D1/106
2016/0106225 A1 * 4/2016 Ham A47C 27/081
5/655.3

* cited by examiner

FIG. 1

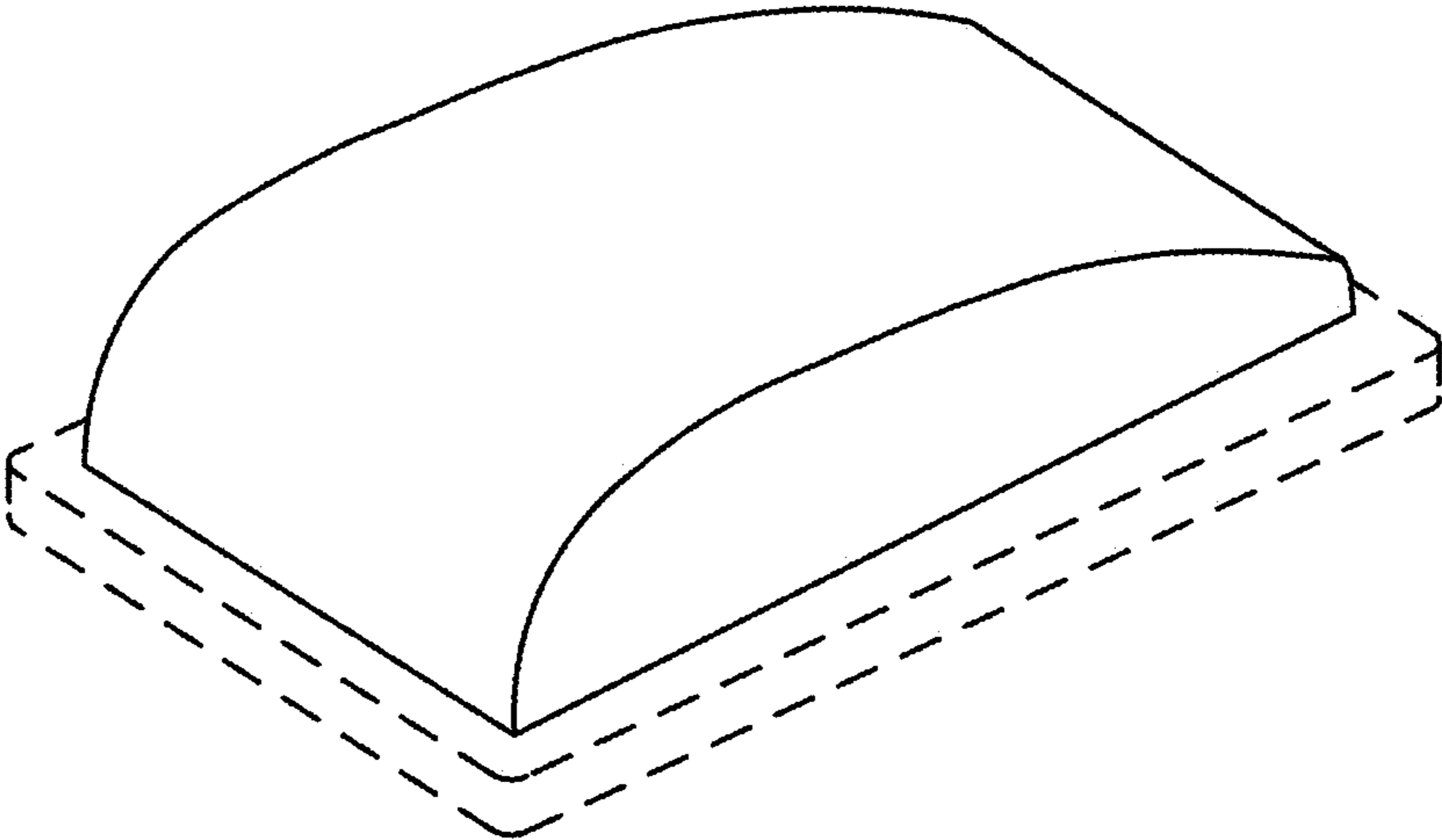


FIG. 2

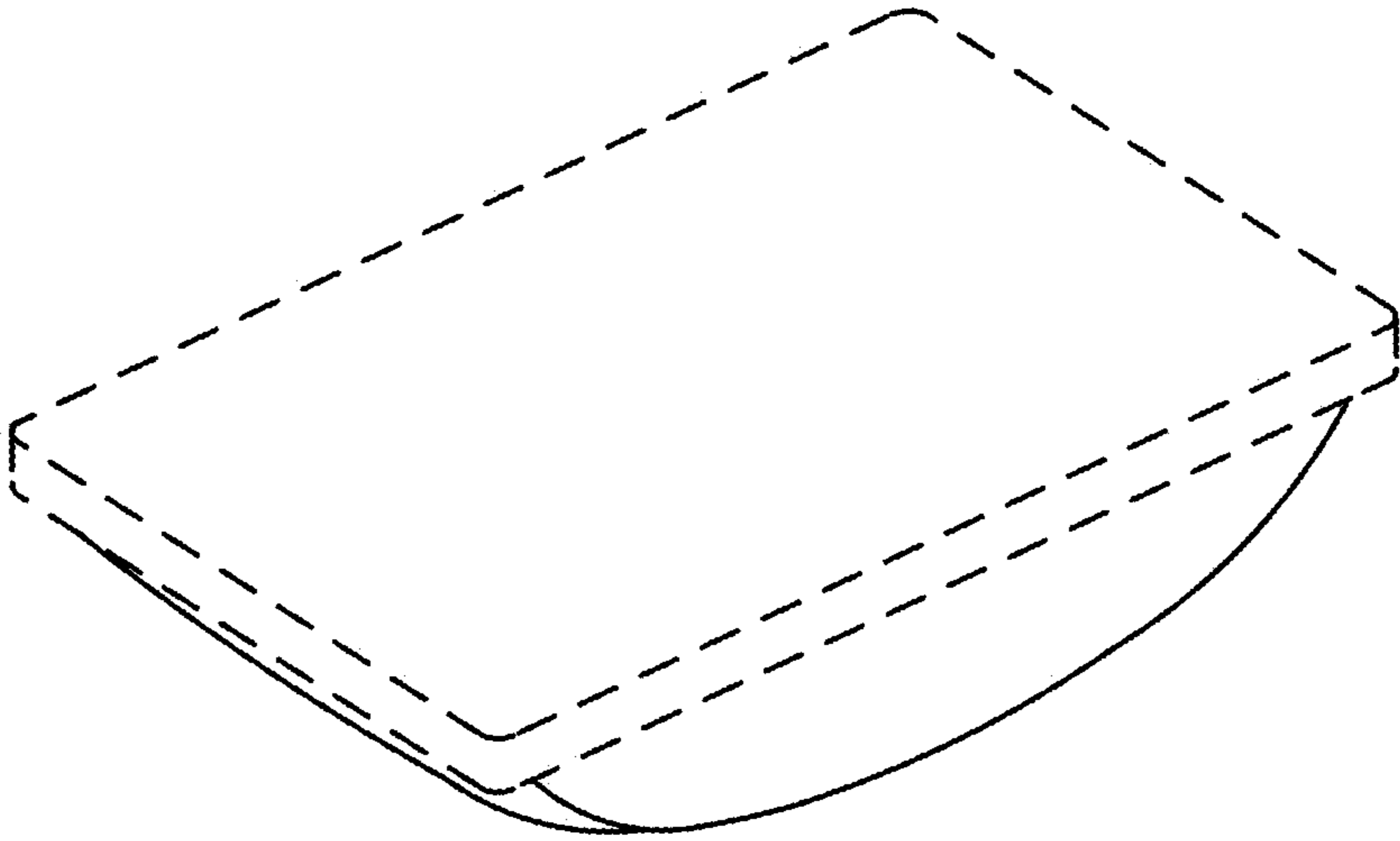


FIG. 3

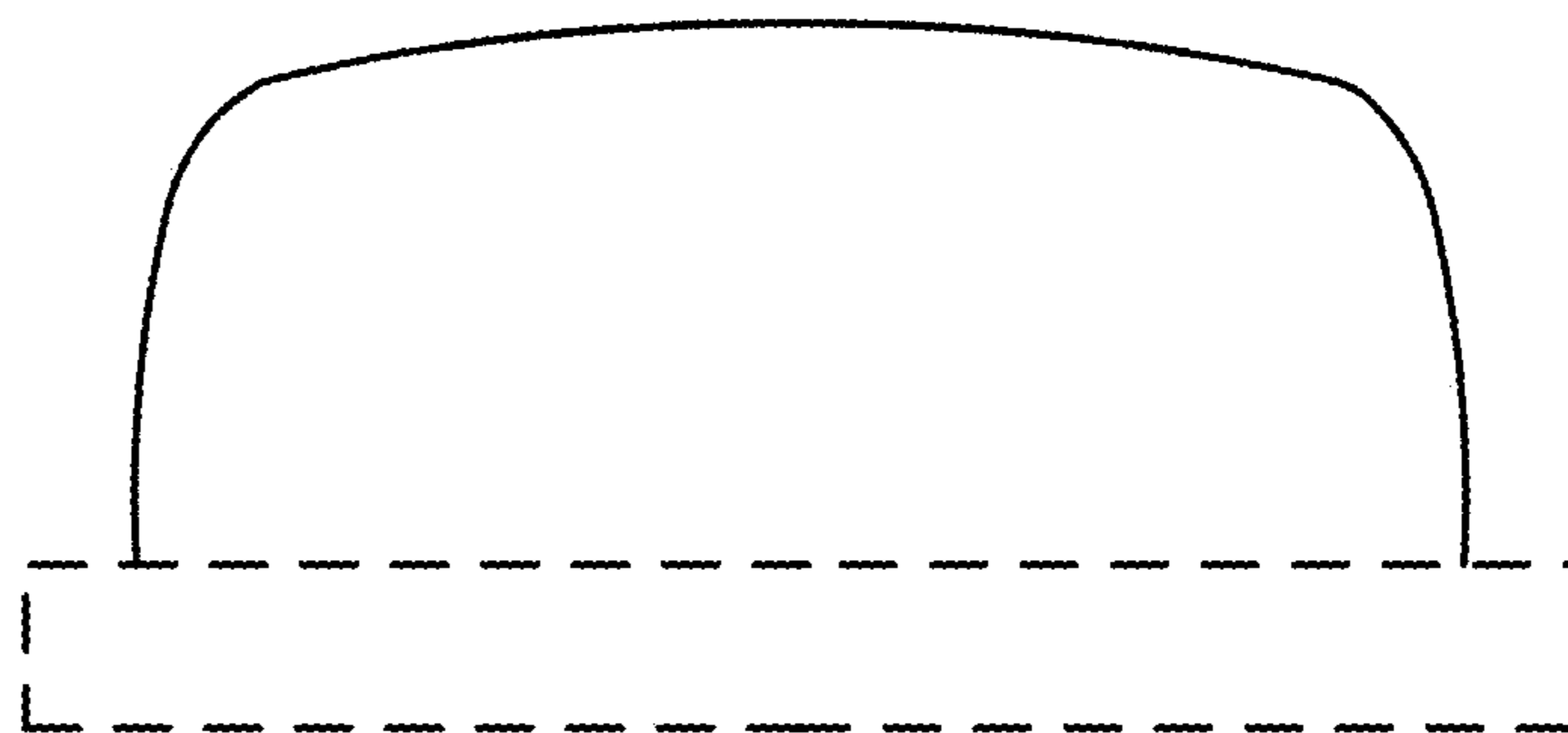


FIG. 4

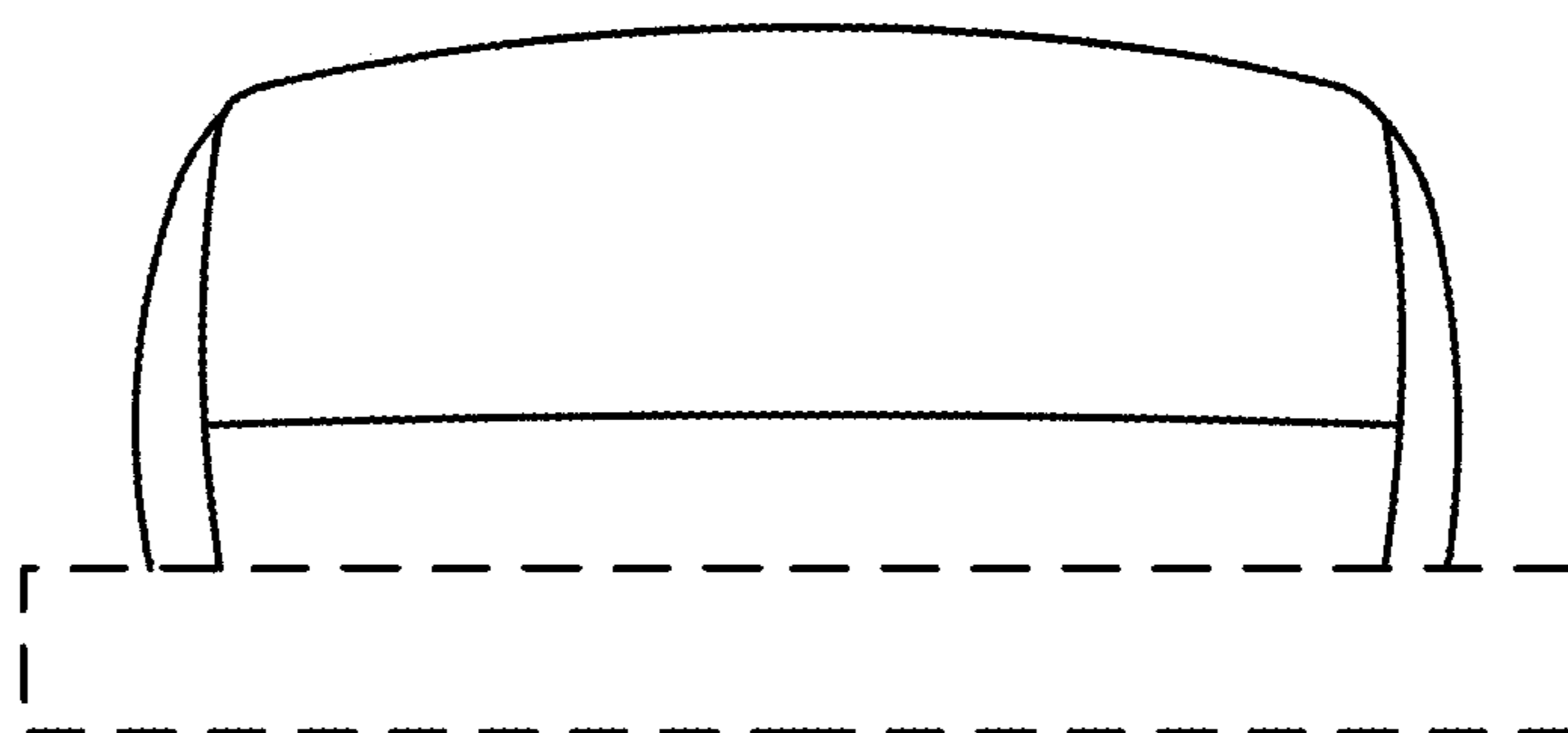


FIG. 5

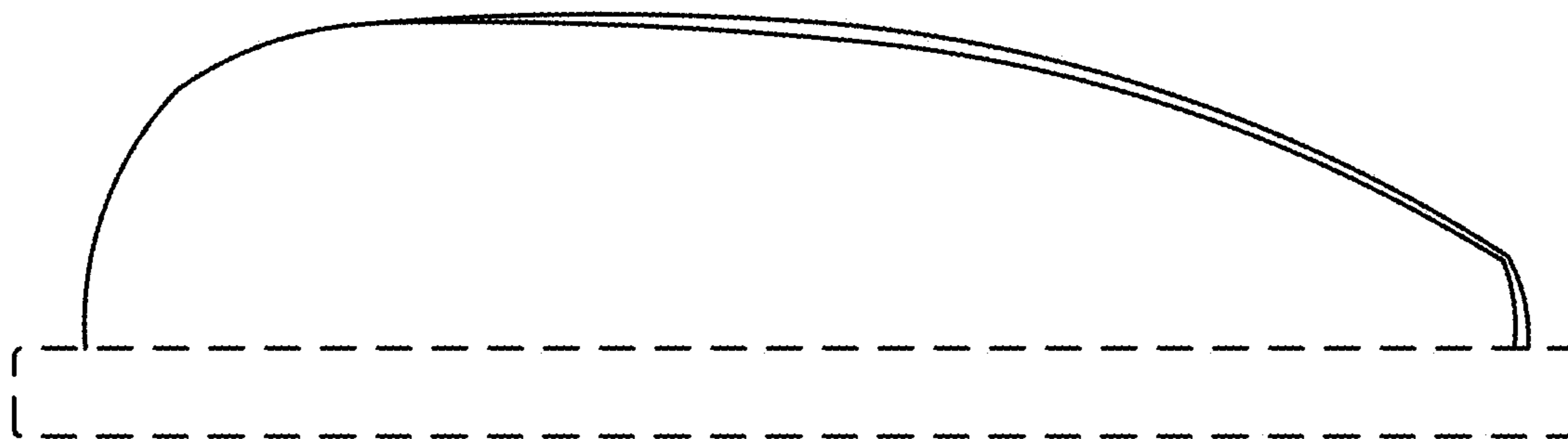


FIG. 6

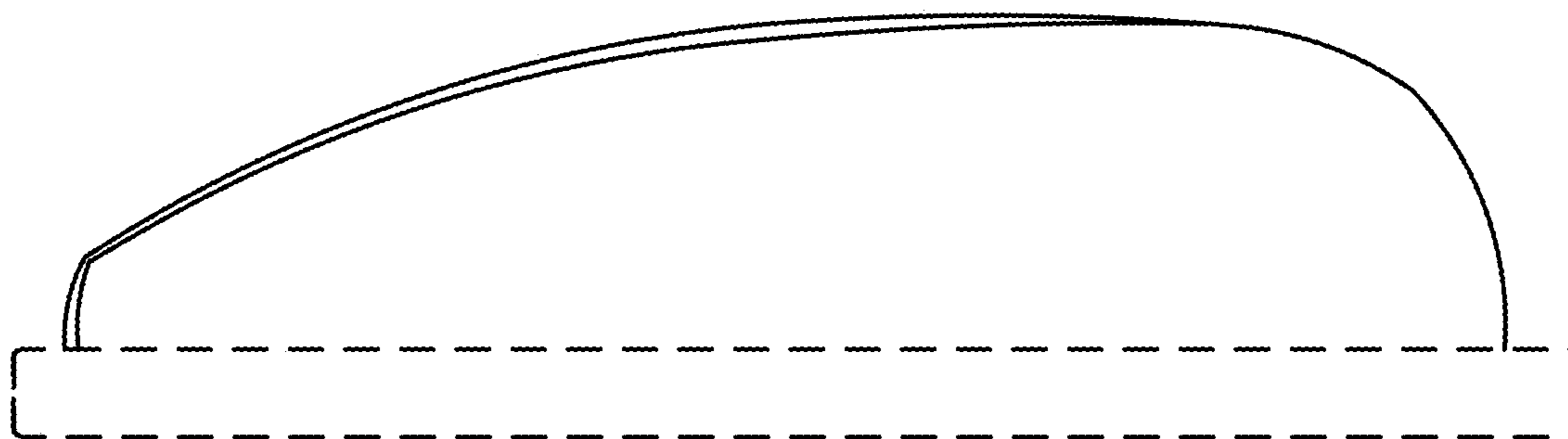


FIG. 7



FIG. 8

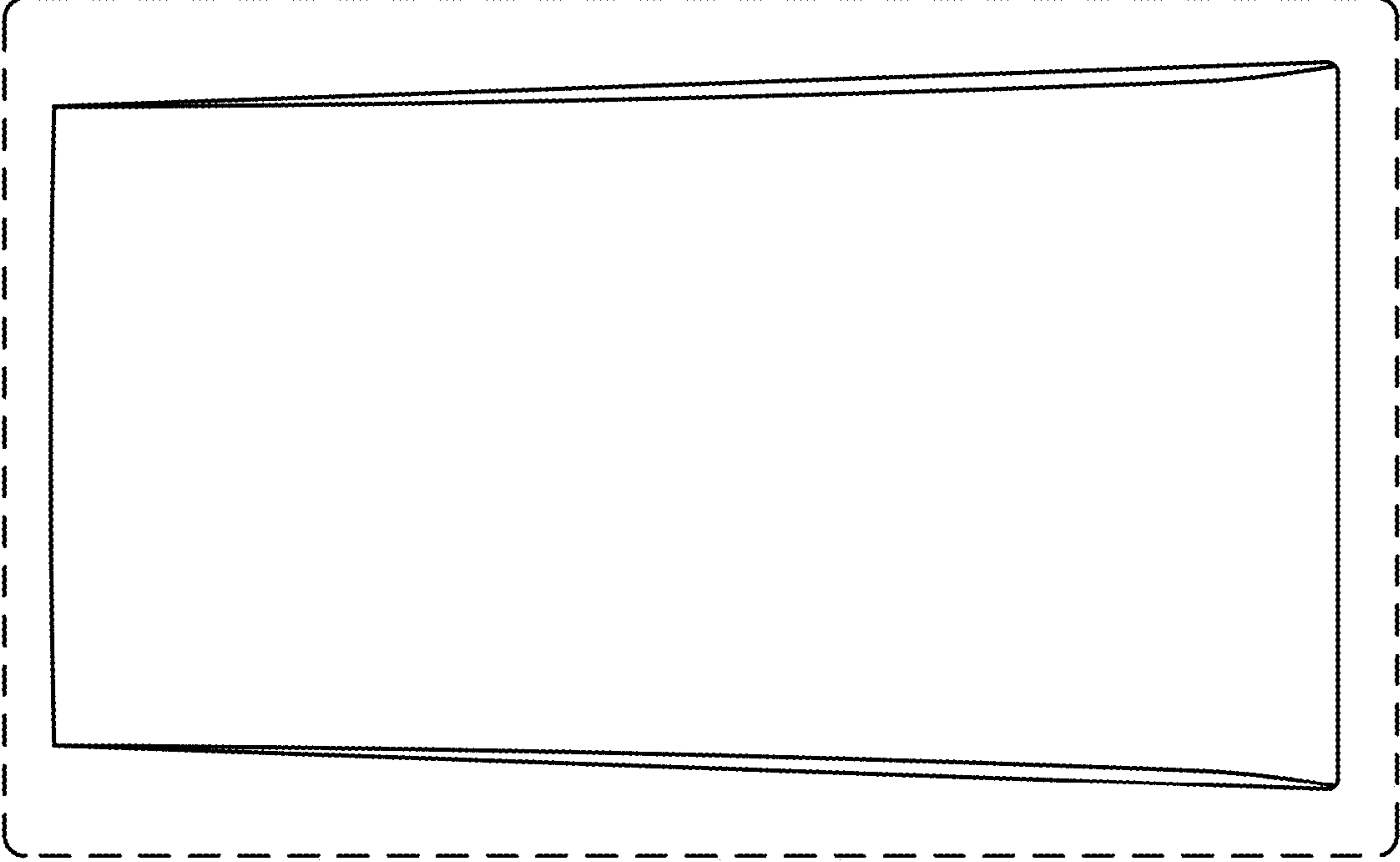


FIG. 9

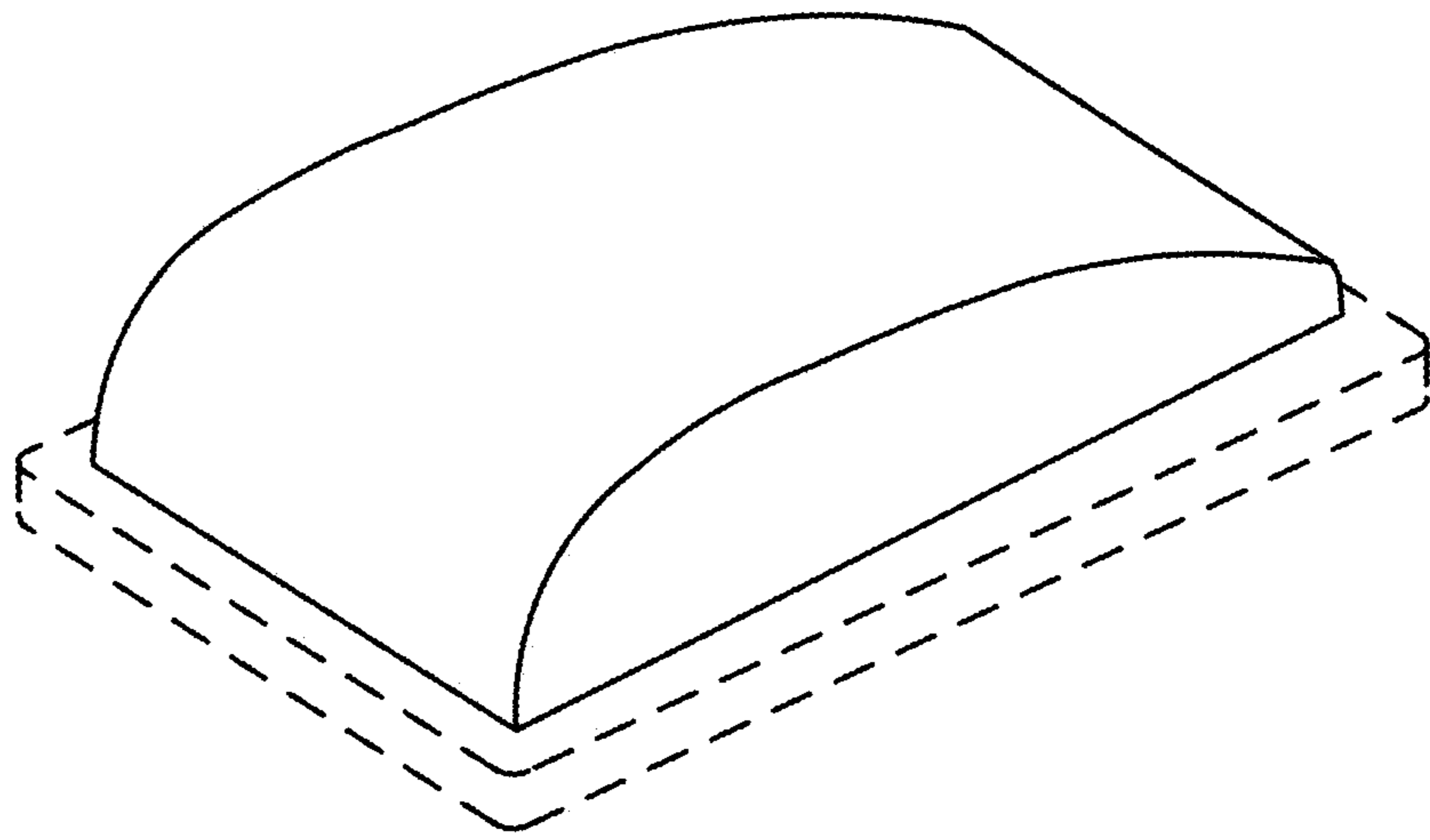


FIG. 10

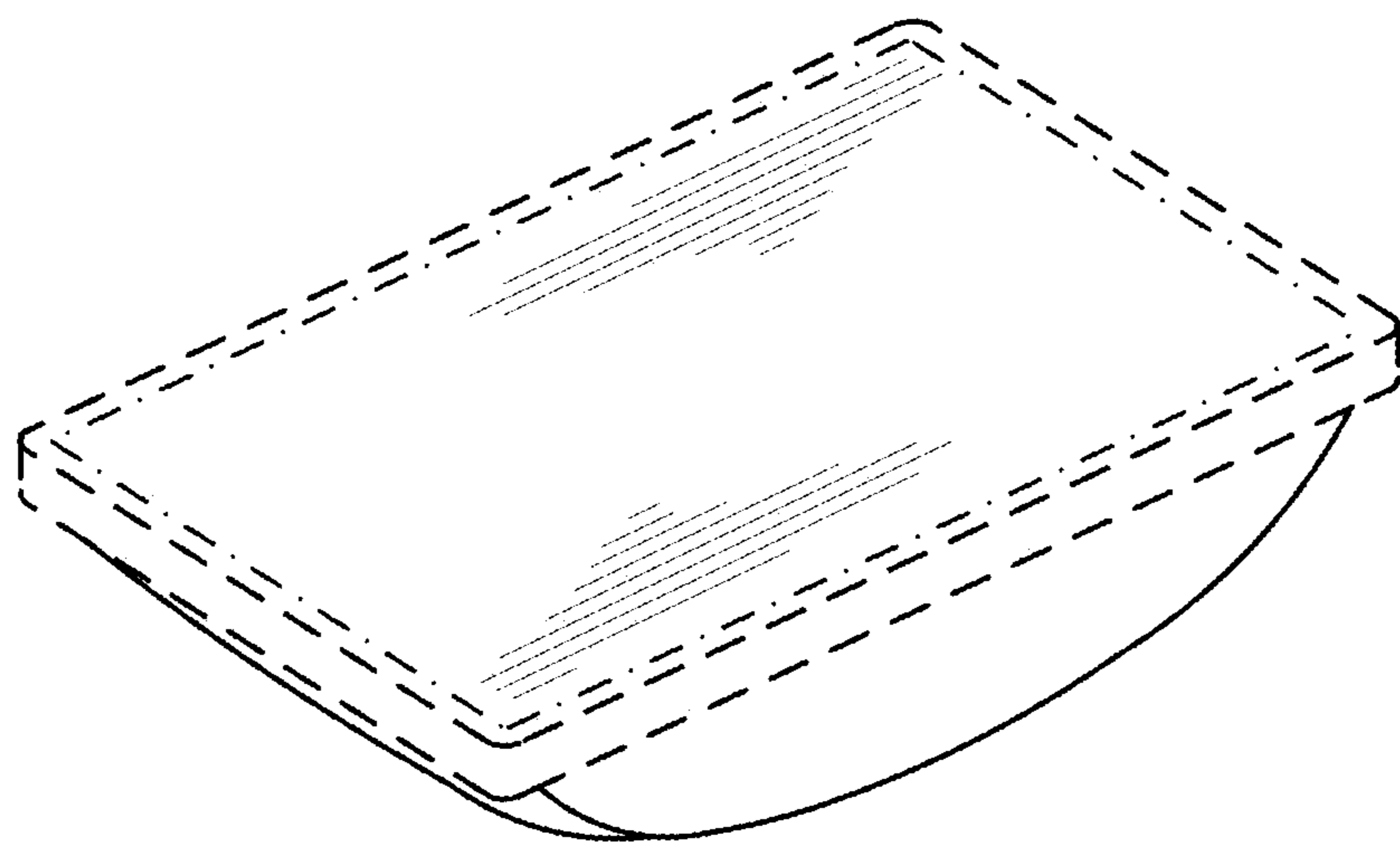


FIG. 11

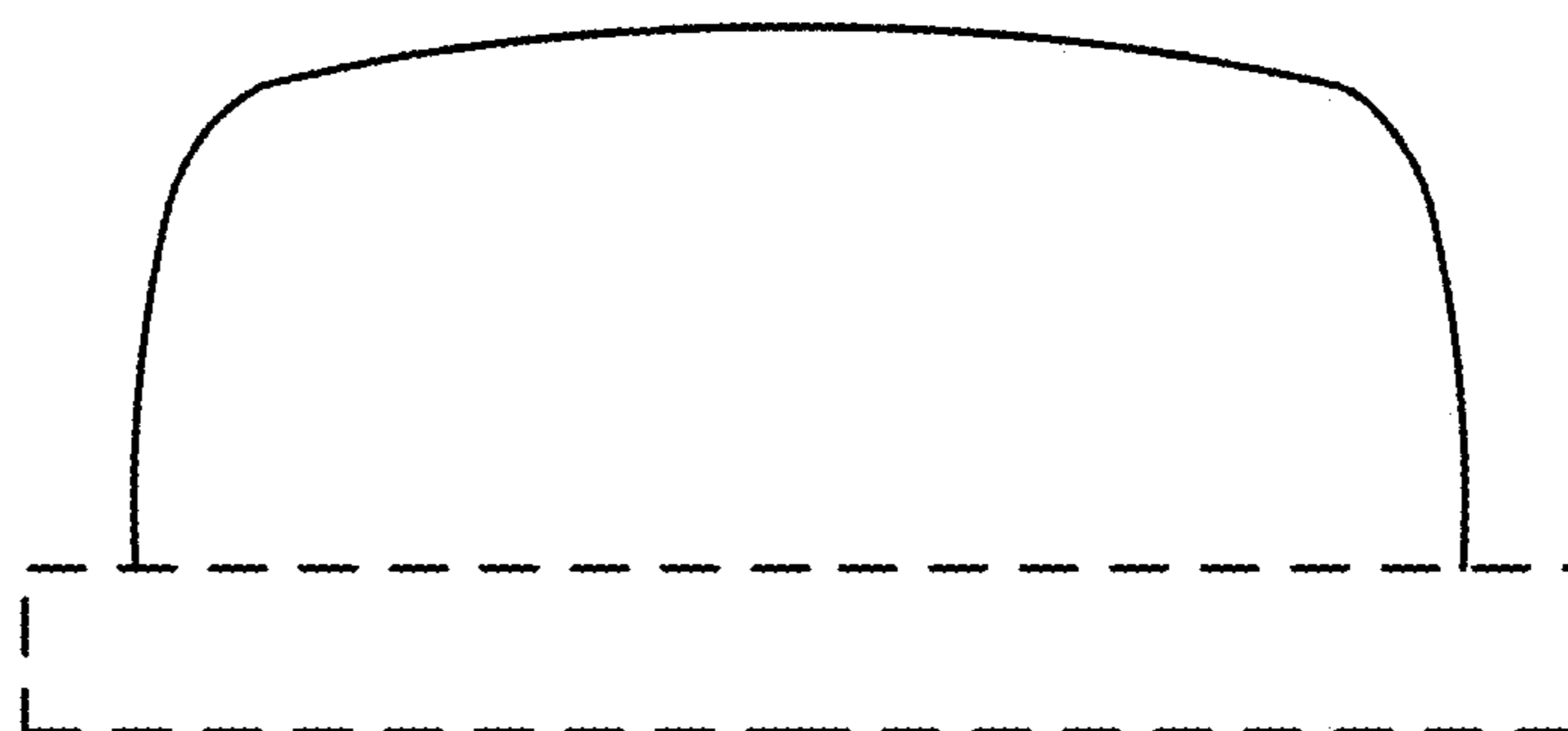


FIG. 12

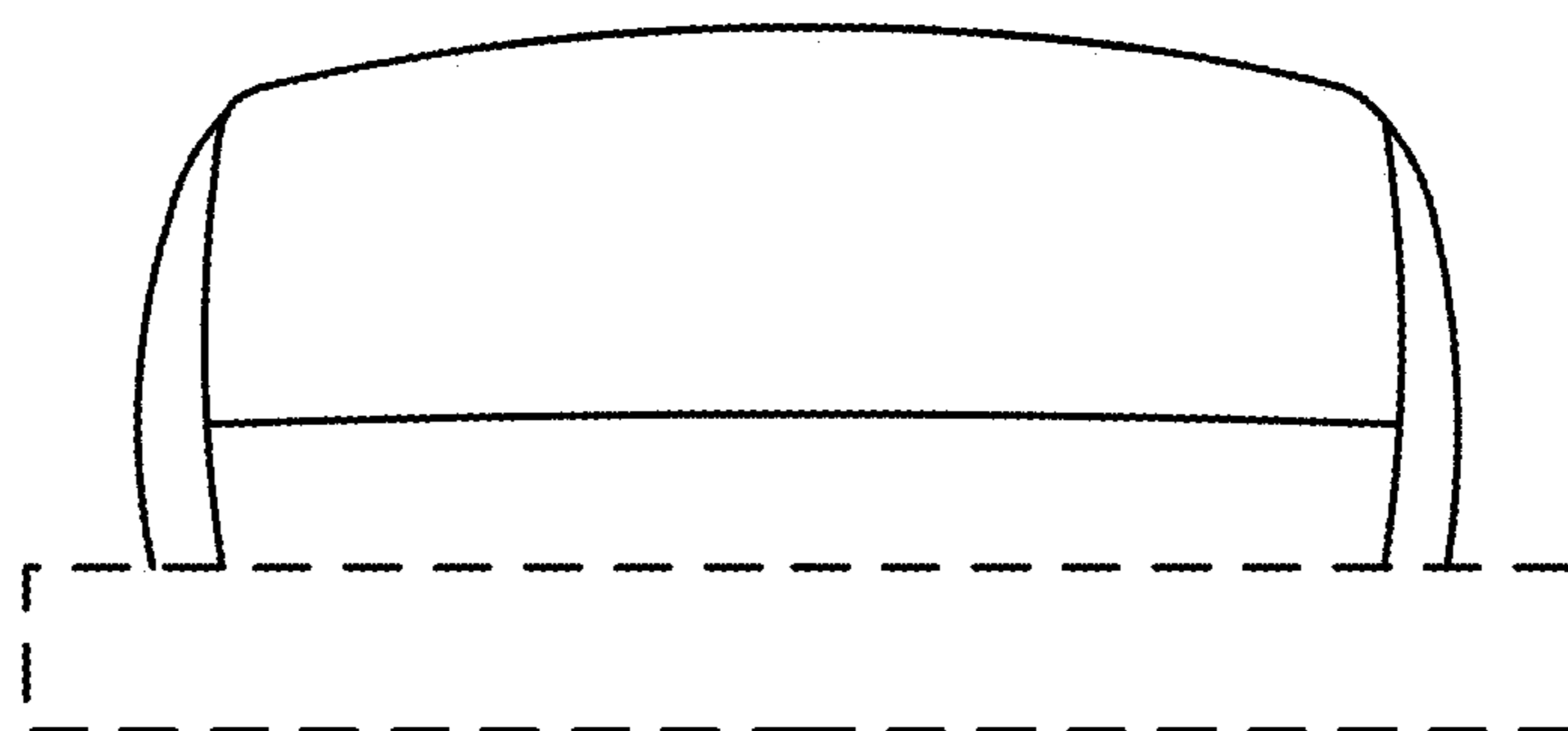


FIG. 13

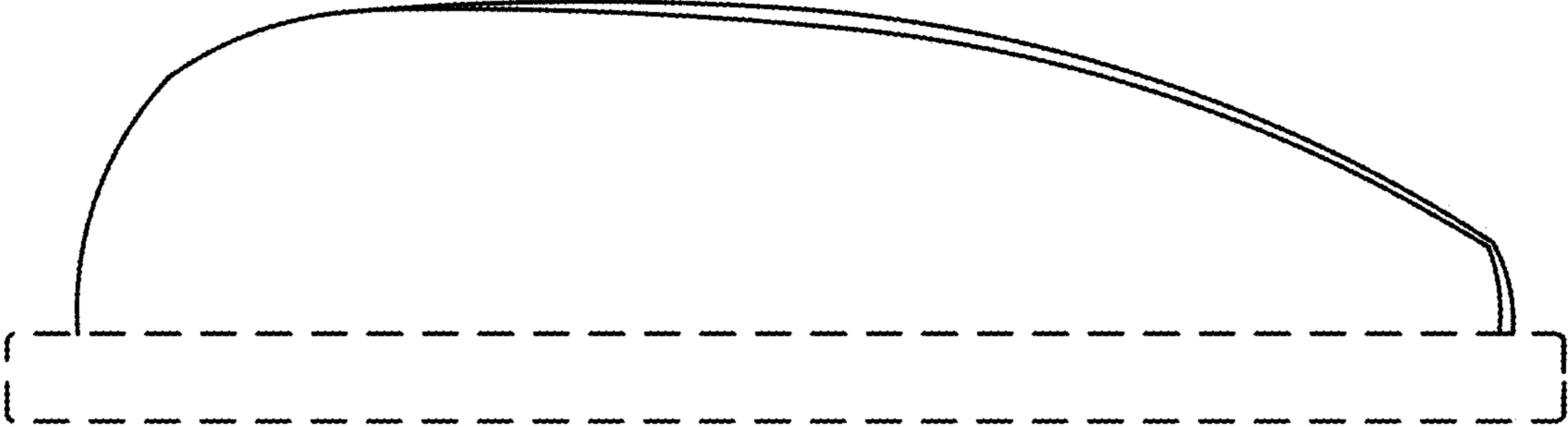


FIG. 14

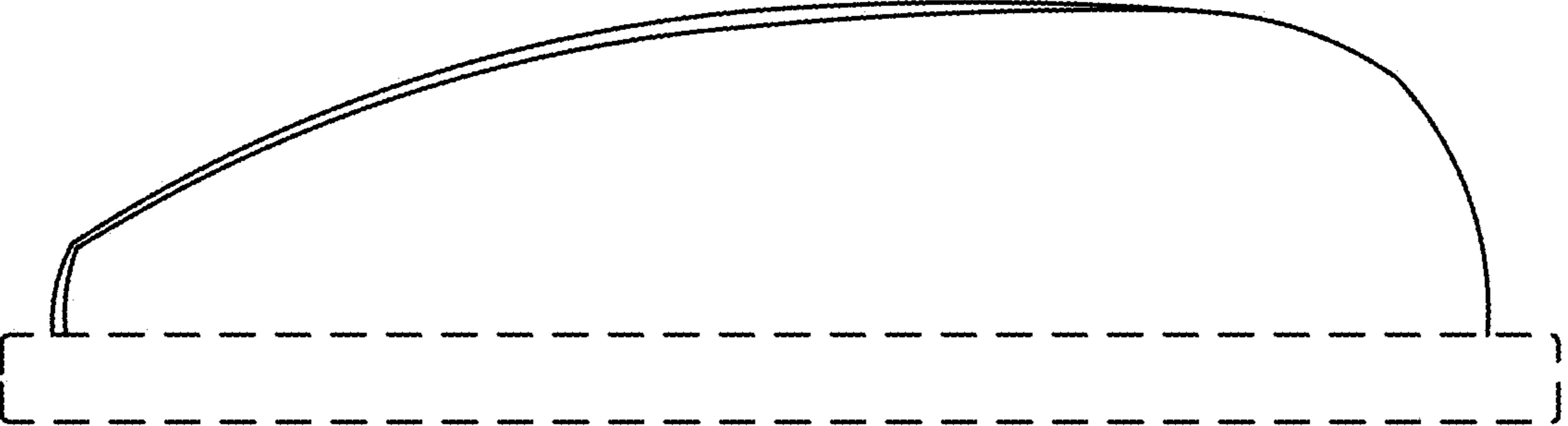




FIG. 15

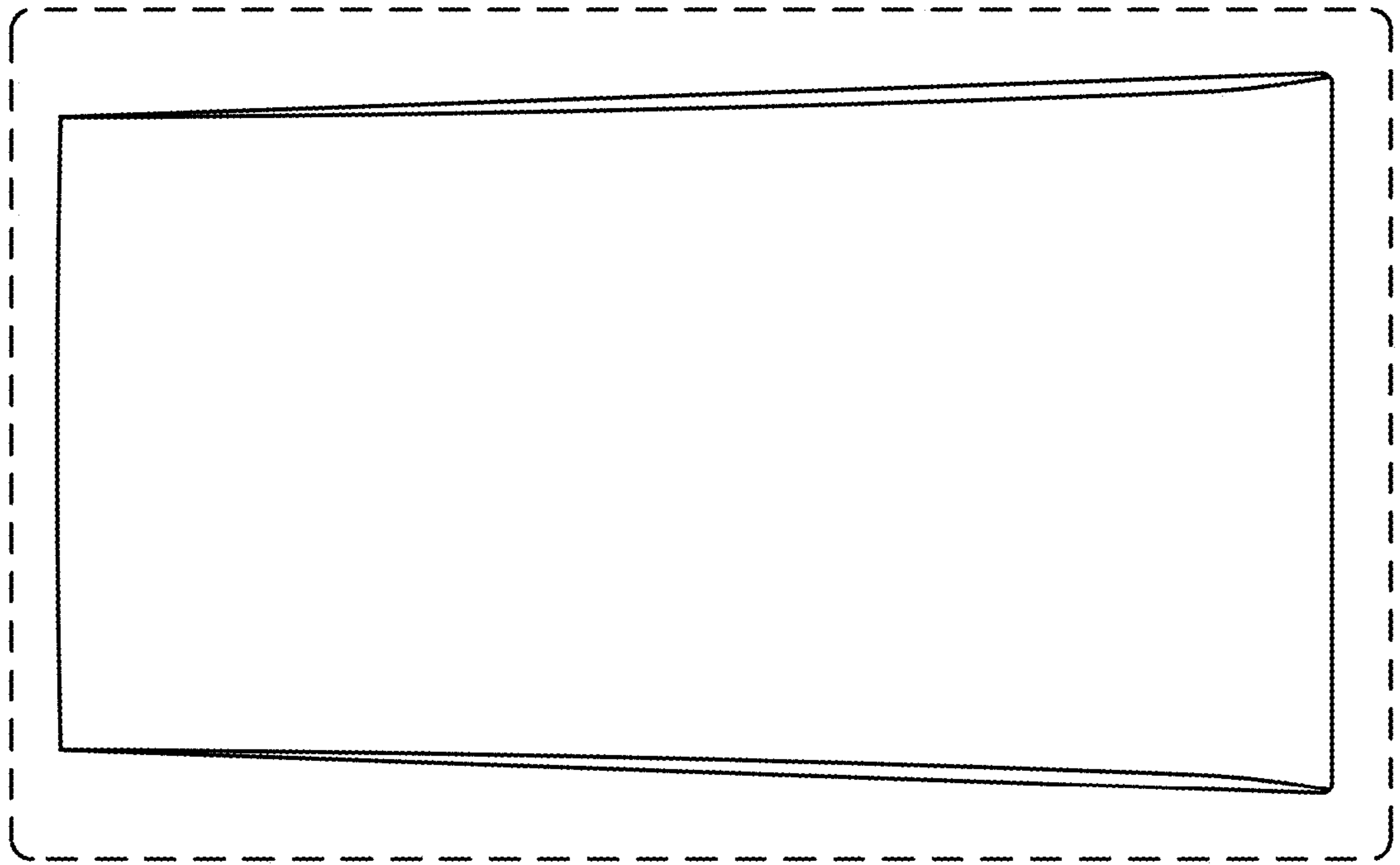


FIG. 16