



US00D921324S

(12) **United States Design Patent** (10) **Patent No.:** **US D921,324 S**  
**Zhang** (45) **Date of Patent:** **\*\* Jun. 1, 2021**

(54) **CAR RAMP**  
(71) Applicant: **Qingdao Workercare Tools  
Manufacture CO., LTD**, Shandong  
(CN)  
(72) Inventor: **Hongjian Zhang**, Shandong (CN)  
(73) Assignee: **QINGDAO WORKERCARE TOOLS  
MANUFACTURE CO., LTD**, Qingdao  
(CN)

2006/0043350 A1\* 3/2006 Branstetter ..... B66F 7/243  
254/88  
2009/0100613 A1\* 4/2009 Igwemezie ..... B66F 7/243  
14/69.5  
2015/0246798 A1\* 9/2015 Guzman Restori ..... B66F 7/243  
14/72.5  
2020/0407205 A1\* 12/2020 Belton ..... B65G 67/04

**FOREIGN PATENT DOCUMENTS**

CN 305812663 S 5/2020

**OTHER PUBLICATIONS**

Google search, Apr. 8, 2021, Super Low car ramps, <https://www.driftshop.com/super-low-car-ramps.html> (Year: 2021).\*  
Google search, Apr. 8, 2021, 1 Pair 5 Ton Super Low Profile Car Ramps 7cm Rise Antiskid Vehicle Service Ramp <https://www.ebay.com/itm/133682484936?mkevt=1&mkcid=1&mkrid=711-53200-19255-0&campid=5338722076&toolid=10001> (Year: 2021).\*  
U.S. Appl. No. 29/730,576, filed Apr. 6, 2020.

\* cited by examiner

*Primary Examiner* — Cynthia Ramirez  
(74) *Attorney, Agent, or Firm* — Buchanan Ingersoll & Rooney PC

(\*\*) Term: **15 Years**  
(21) Appl. No.: **29/652,206**  
(22) Filed: **Jun. 11, 2020**  
(51) **LOC (13) Cl.** ..... **12-05**  
(52) **U.S. Cl.**  
USPC ..... **D34/32**  
(58) **Field of Classification Search**  
USPC ..... D34/32; D12/217  
CPC .. B66F 7/243; B66F 7/246; B66F 7/18; B66F  
7/25; B66F 5/04  
See application file for complete search history.

(56) **References Cited**

**U.S. PATENT DOCUMENTS**

RE34,889 E \* 4/1995 Fogarty ..... B60S 13/00  
14/69.5  
5,483,715 A \* 1/1996 Fogarty ..... B66F 7/243  
14/69.5  
D511,734 S \* 11/2005 Moore ..... 12/217  
7,104,524 B1 \* 9/2006 Hidding ..... B66F 7/243  
14/69.5  
D567,471 S \* 4/2008 Haimoff ..... D34/33  
D601,479 S \* 10/2009 Shaw ..... D12/217  
D683,924 S \* 6/2013 Wolfenbarger ..... D34/32  
D705,514 S \* 5/2014 Tai ..... D34/32  
8,782,839 B1 \* 7/2014 Forbis ..... B66F 7/243  
14/69.5  
D734,681 S \* 7/2015 Milbank ..... D10/69  
D912,363 S \* 3/2021 Cheung ..... D34/32

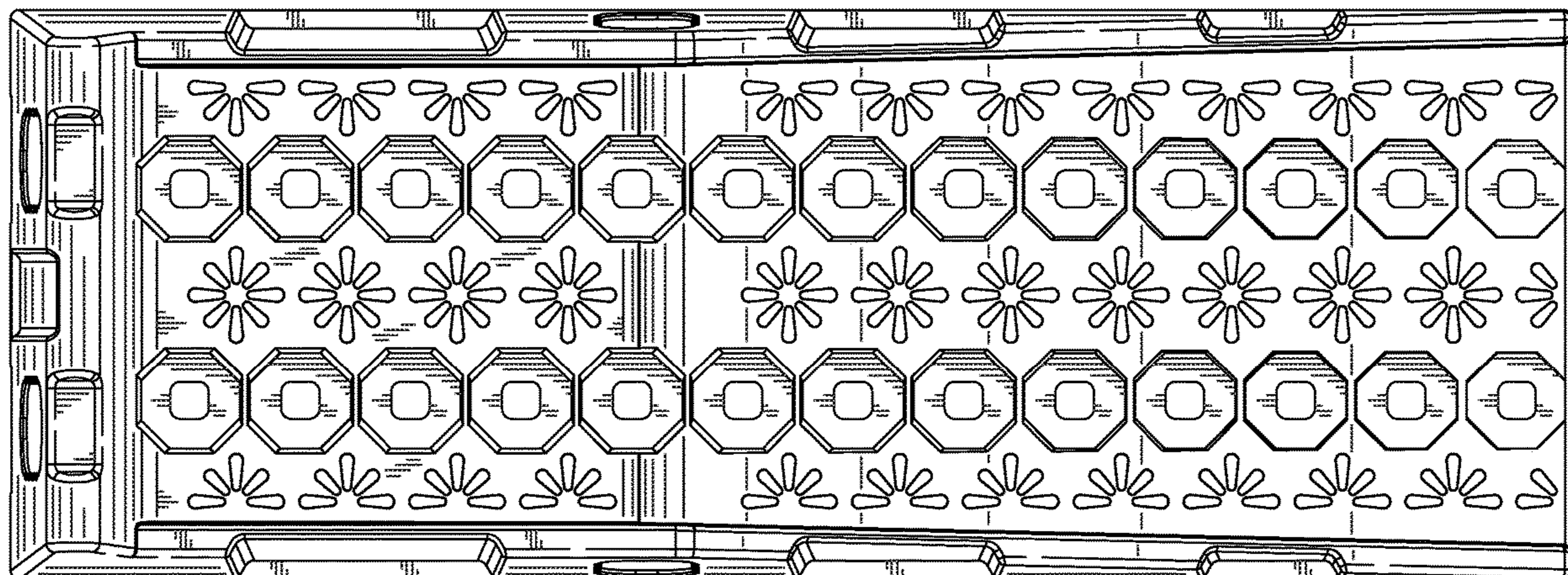
(57) **CLAIM**

The ornamental design for a car ramp, as shown and described.

**DESCRIPTION**

FIG. 1 is a top view of a car ramp;  
FIG. 2 is a front view of FIG. 1;  
FIG. 3 is a rear view of FIG. 1;  
FIG. 4 is a bottom view of FIG. 1;  
FIG. 5 is a right side view of FIG. 1;  
FIG. 6 is a left side view of FIG. 1;  
FIG. 7 is a left perspective view of FIG. 1; and,  
FIG. 8 is a right perspective view of FIG. 1.

**1 Claim, 7 Drawing Sheets**



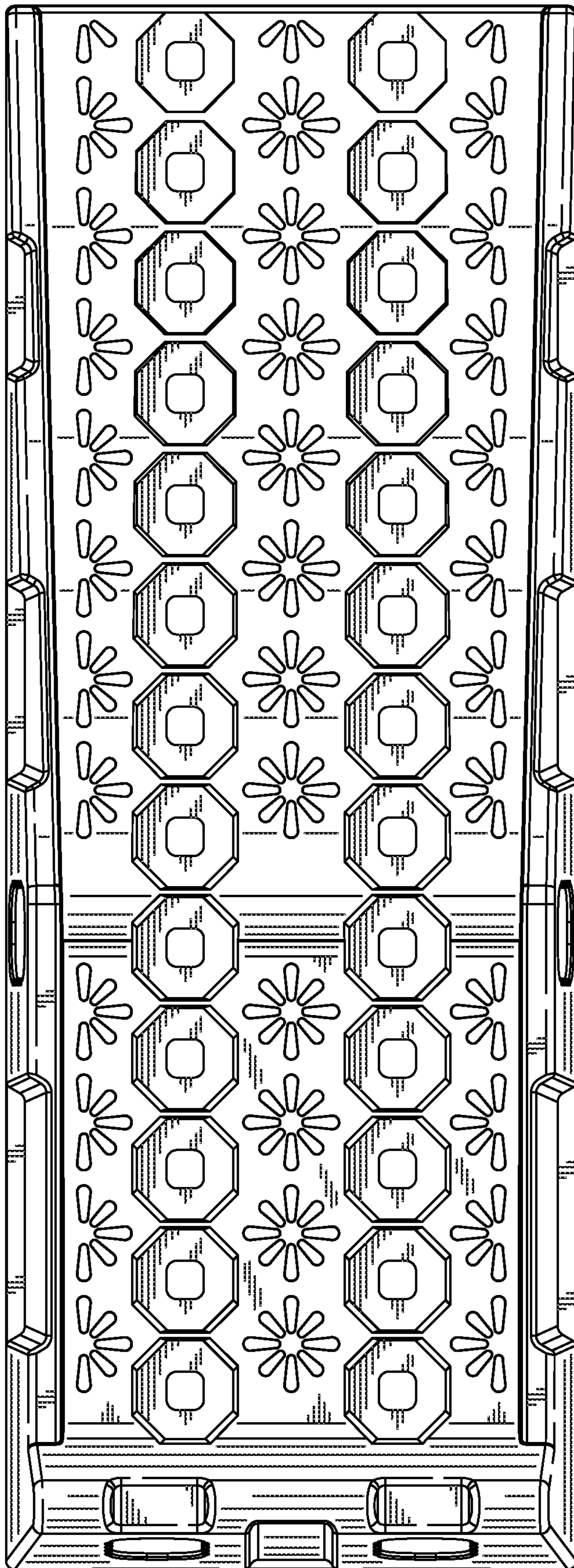


FIG 1



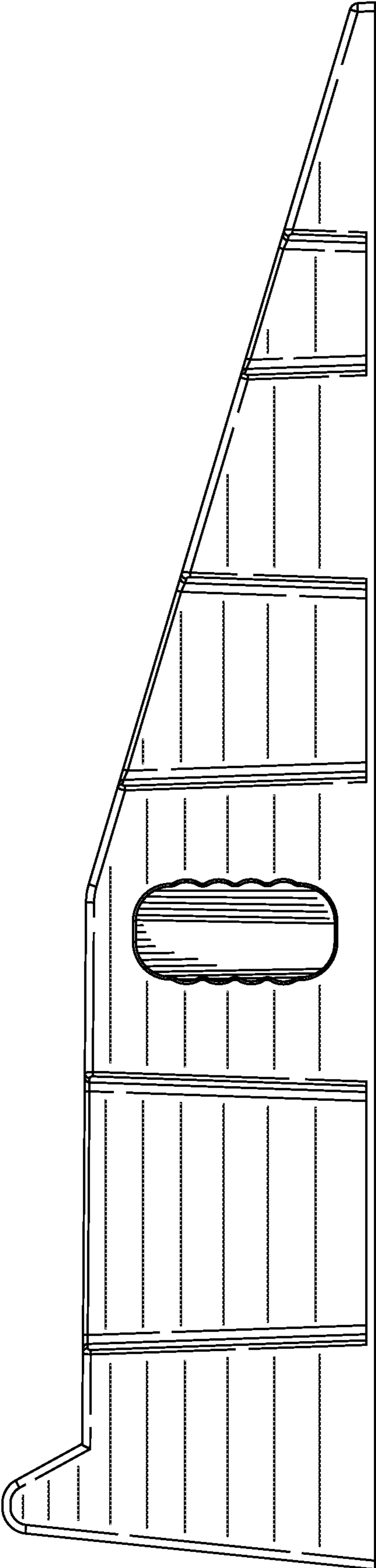


FIG 2

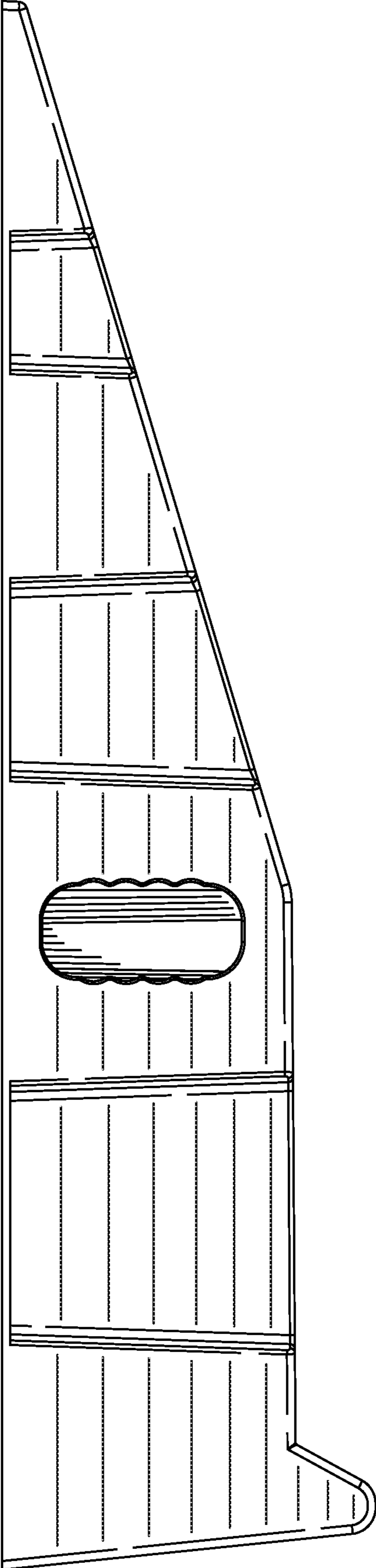


FIG 3

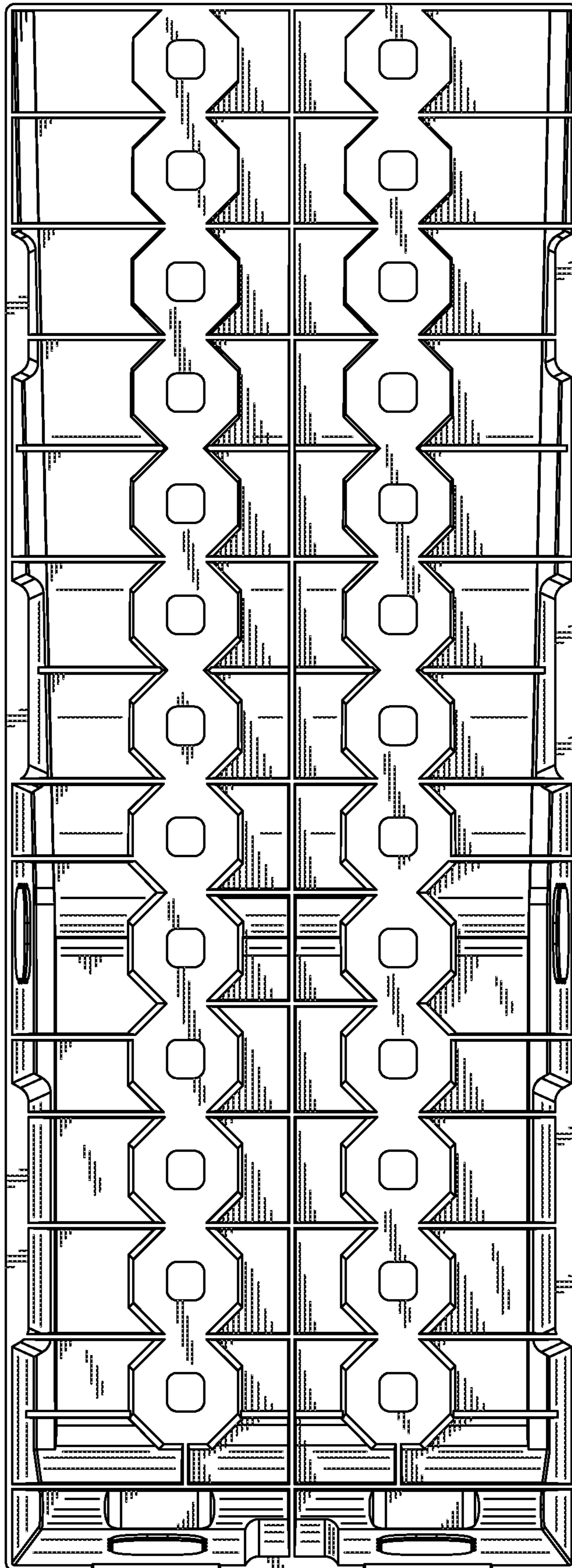


FIG 4

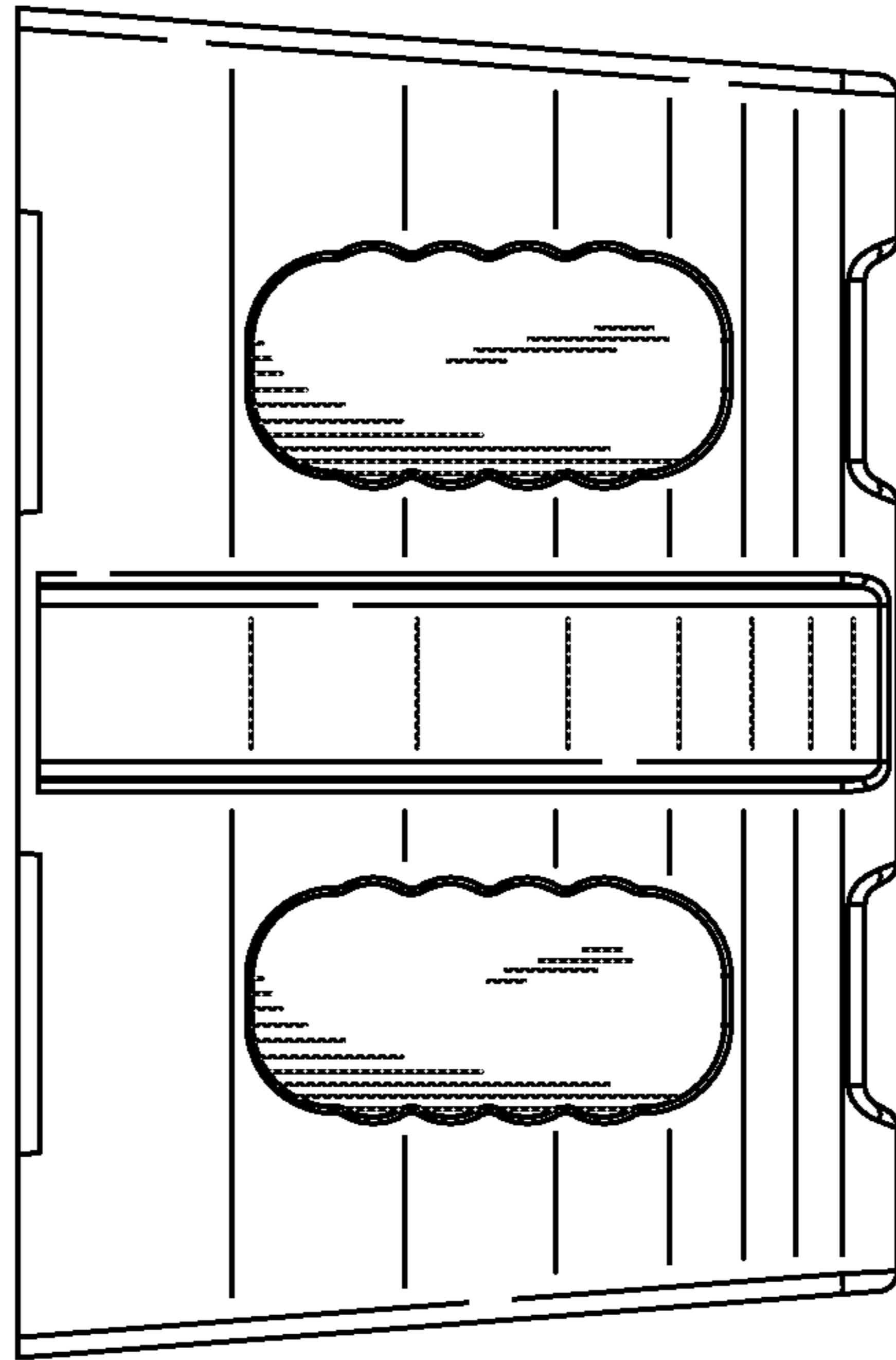


FIG 6

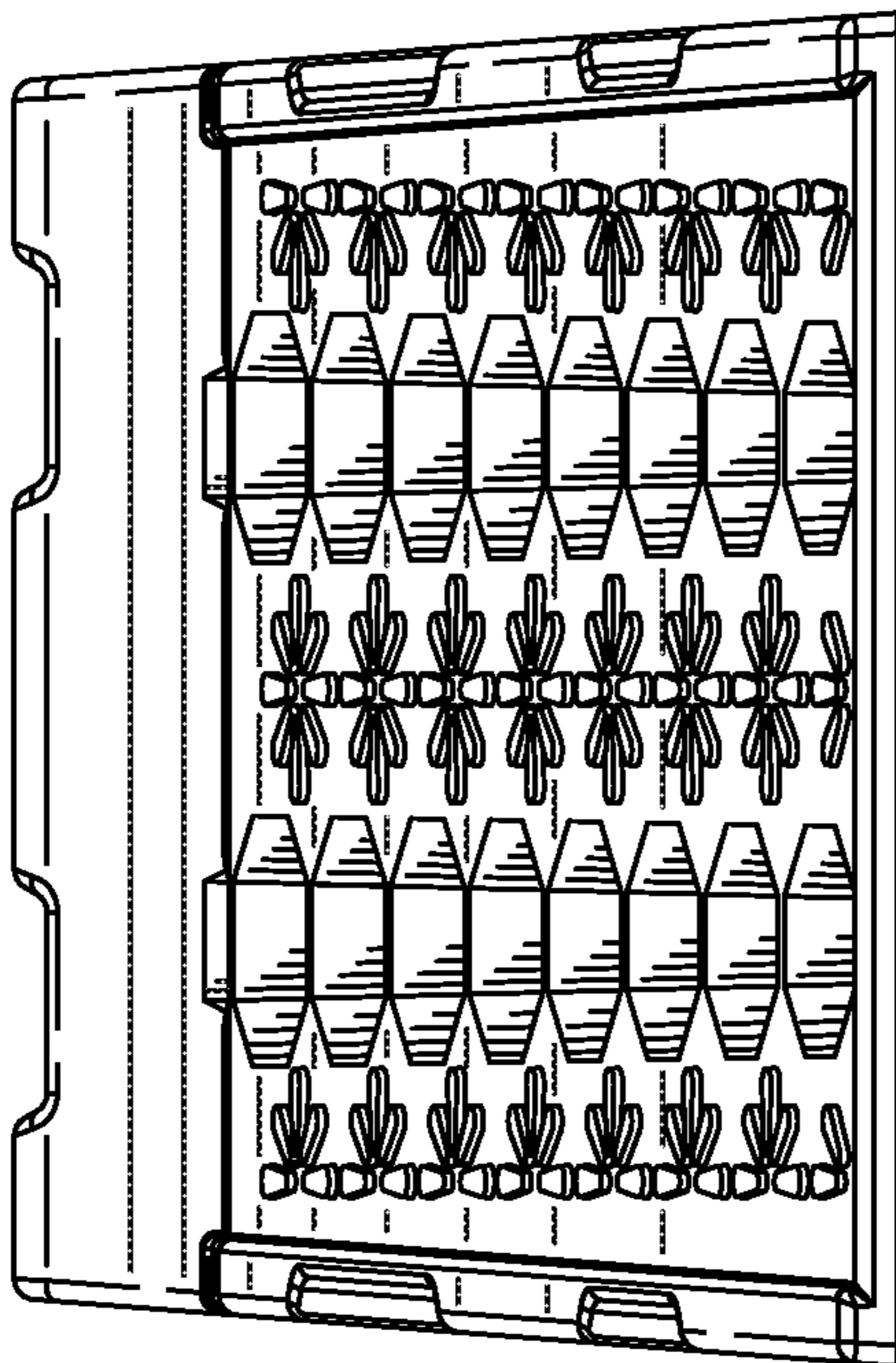


FIG 5



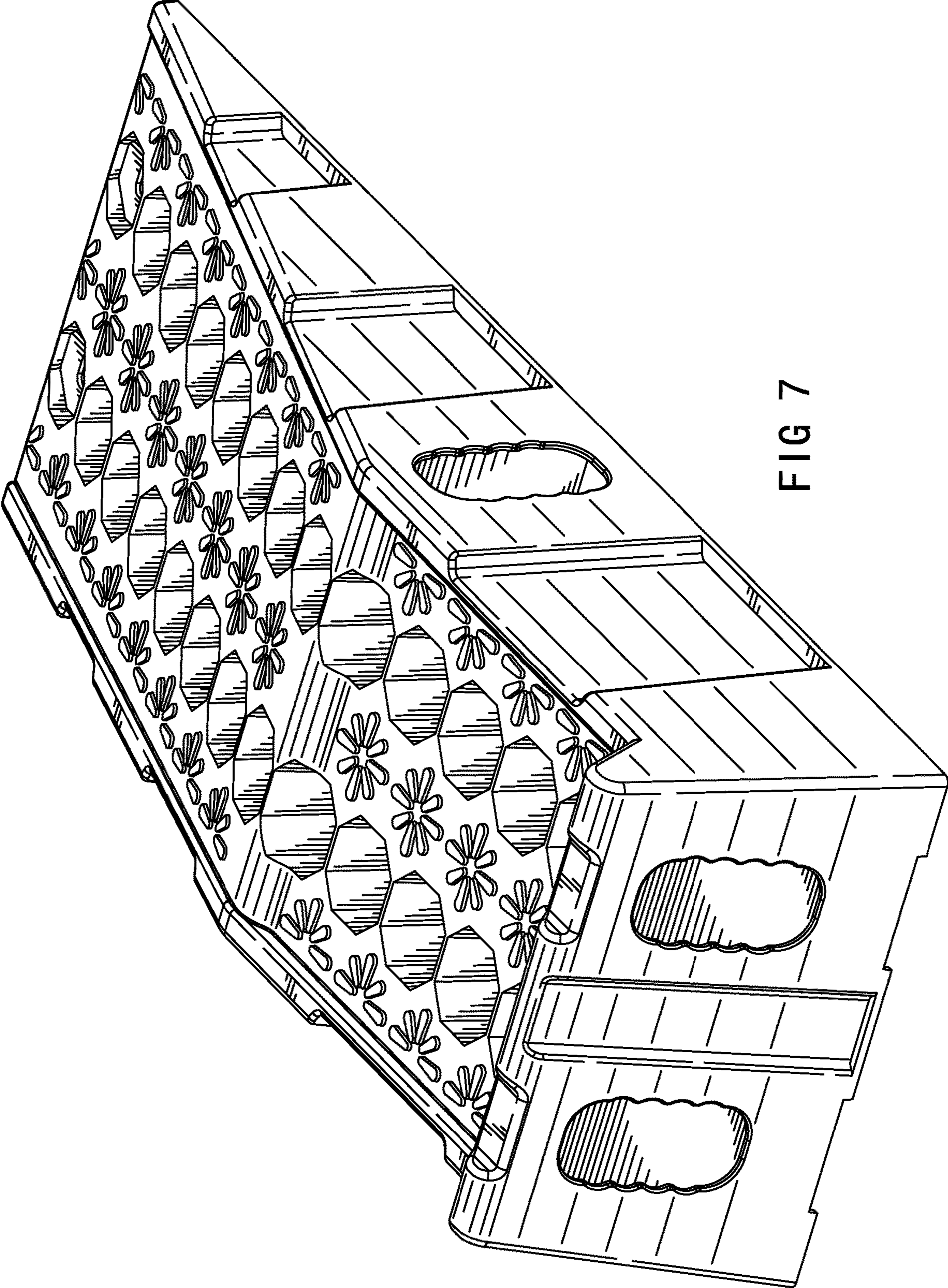


FIG 7

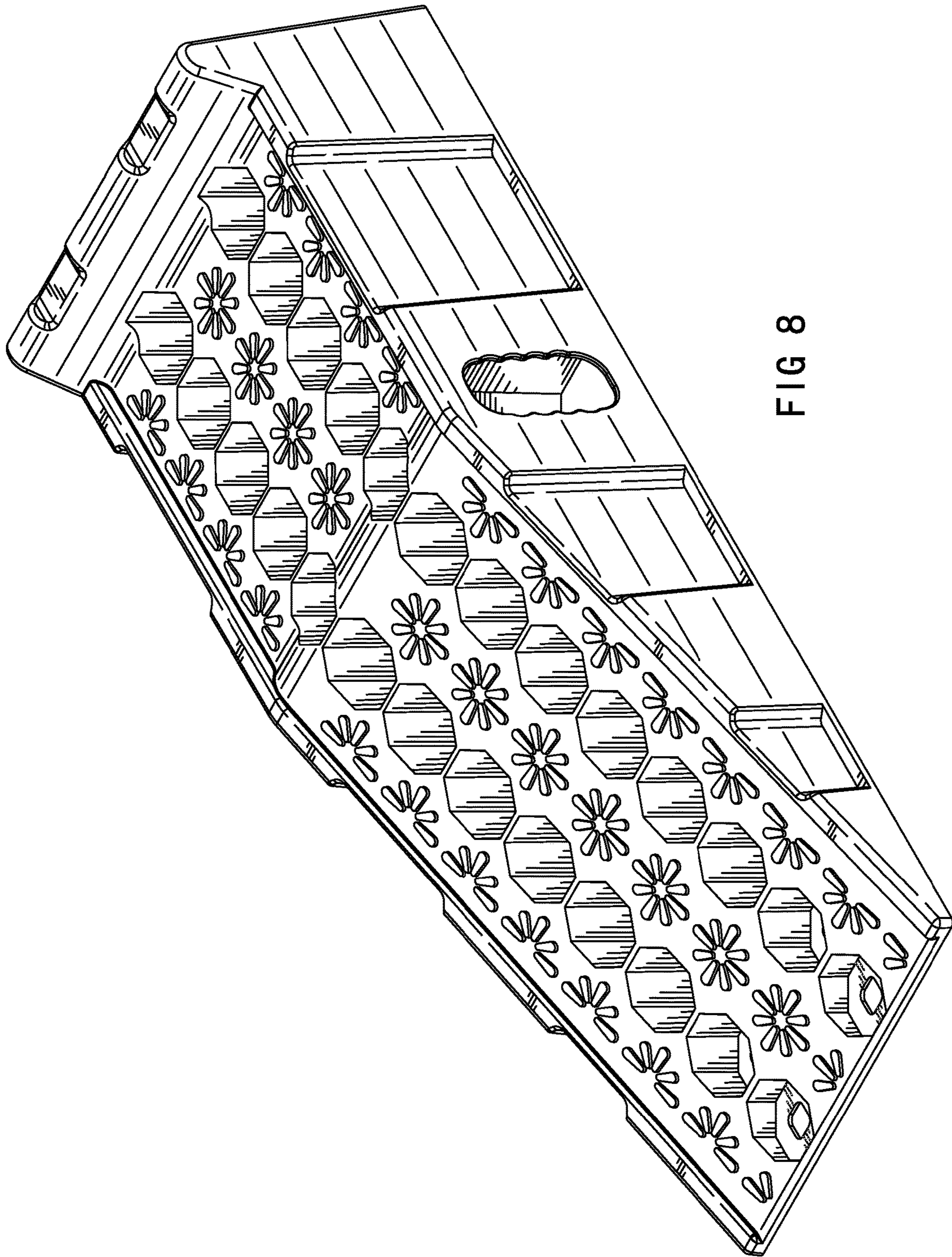


FIG 8