



US00D921323S

(12) **United States Design Patent**  
**Wootten**

(10) **Patent No.:** **US D921,323 S**

(45) **Date of Patent:** **\*\* Jun. 1, 2021**

(54) **FENCE CARRYING TOOL**

(71) Applicant: **Larry D Wootten**, Oklahoma City, OK (US)

(72) Inventor: **Larry D Wootten**, Oklahoma City, OK (US)

(\*\*) Term: **15 Years**

(21) Appl. No.: **29/712,355**

(22) Filed: **Nov. 7, 2019**

(51) **LOC (13) Cl.** ..... **12-05**

(52) **U.S. Cl.**  
USPC ..... **D34/28**

(58) **Field of Classification Search**

USPC ..... D34/1-28; D8/11, 14  
CPC .. A45F 5/10; A45F 5/102; B65G 7/12; B65G 49/061

See application file for complete search history.

(56) **References Cited**

U.S. PATENT DOCUMENTS

D217,002 S *	3/1970	Wagner	.....	D20/43
4,098,442 A *	7/1978	Moore	.....	B65G 7/12
				294/141
4,177,911 A *	12/1979	Griffin	.....	B65G 7/12
				294/15
D317,703 S *	6/1991	Cydrus	.....	294/15
6,186,566 B1 *	2/2001	Frederickson	.....	B65G 7/12
				294/15
6,520,555 B1 *	2/2003	Hamm	.....	B65G 7/12
				294/15
D565,368 S *	4/2008	Brooke	.....	D8/14
7,575,261 B2 *	8/2009	Gagne	.....	B44D 3/126
				16/422
D642,026 S *	7/2011	Martin	.....	D8/14

(Continued)

OTHER PUBLICATIONS

Woodtek Panel Carrier, announced 2020 [online], [site visited Mar. 5, 2020], Available from internet, URL: <https://woodworker.com/panel-carrier-mssu-72975.asp?GF=72975> (Year: 2020).\*

*Primary Examiner* — George A Bugg

*Assistant Examiner* — Tamara L Hahn

(74) *Attorney, Agent, or Firm* — Dunlap Coddling, P.C.

(57) **CLAIM**

The ornamental design for a fence carrying tool, as shown and described.

**DESCRIPTION**

FIG. 1 is a perspective view of a fence carrying tool with a handle in a first position and showing my new design.

FIG. 2 is a front elevational view thereof with the handle in the first position, the rear view being a mirror image thereof.

FIG. 3 is a left side elevational view thereof with the handle in the first position.

FIG. 4 is a right side elevational view thereof with handle in the first position.

FIG. 5 is a top plan view thereof with the handle in the first position.

FIG. 6 is a bottom plan view thereof with the handle in the first position.

FIG. 7 is a perspective view of the fence carrying tool with the handle in a second position.

FIG. 8 is a front elevational view thereof with the handle in the second position.

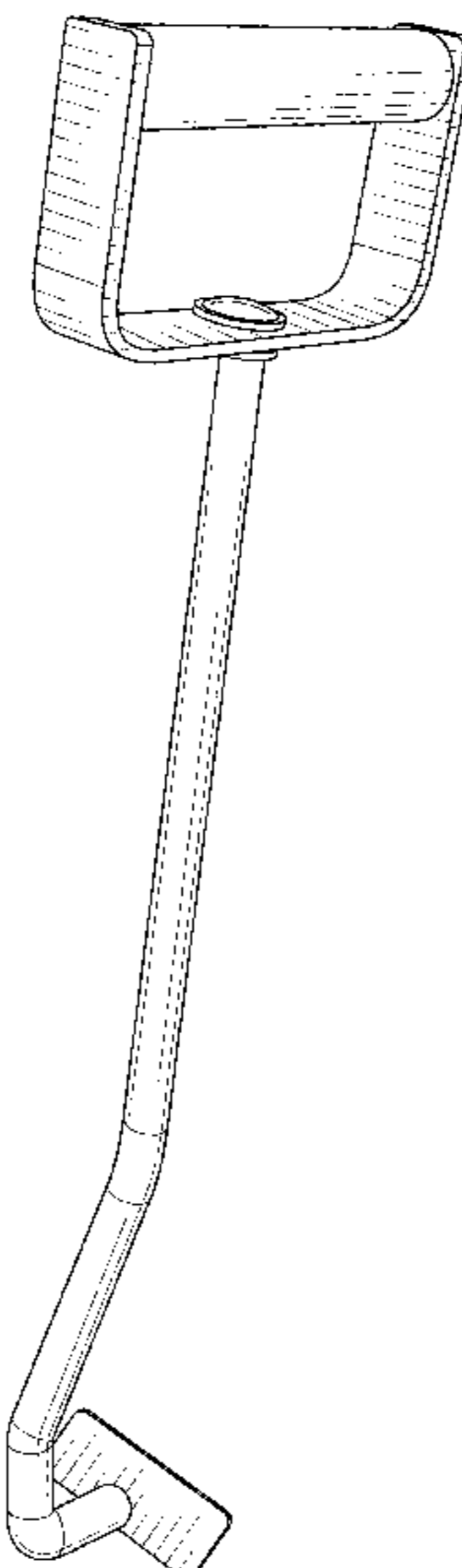
FIG. 9 is a left side elevational view thereof with the handle in the second position, the right side being a mirror image thereof.

FIG. 10 is a rear elevational view thereof with the handle in the second position.

FIG. 11 is a top plan view thereof with the handle in the second position; and,

FIG. 12 is a bottom plan view thereof with the handle in the second position.

**1 Claim, 9 Drawing Sheets**



(56)

**References Cited**

U.S. PATENT DOCUMENTS

8,251,421 B1 \* 8/2012 Homan ..... A45F 5/10  
294/153  
D695,587 S \* 12/2013 Pallone ..... D8/307  
D698,105 S \* 1/2014 Huster ..... D30/199  
9,440,485 B2 \* 9/2016 Krusoe ..... B44D 3/126  
2006/0261615 A1 \* 11/2006 Rosert ..... B63C 11/02  
294/15  
2009/0284032 A1 \* 11/2009 Nicol ..... A62C 33/00  
294/26  
2018/0103765 A1 \* 4/2018 Chen ..... A47C 7/383  
2020/0318302 A1 \* 10/2020 Rueda ..... A01B 1/026

\* cited by examiner

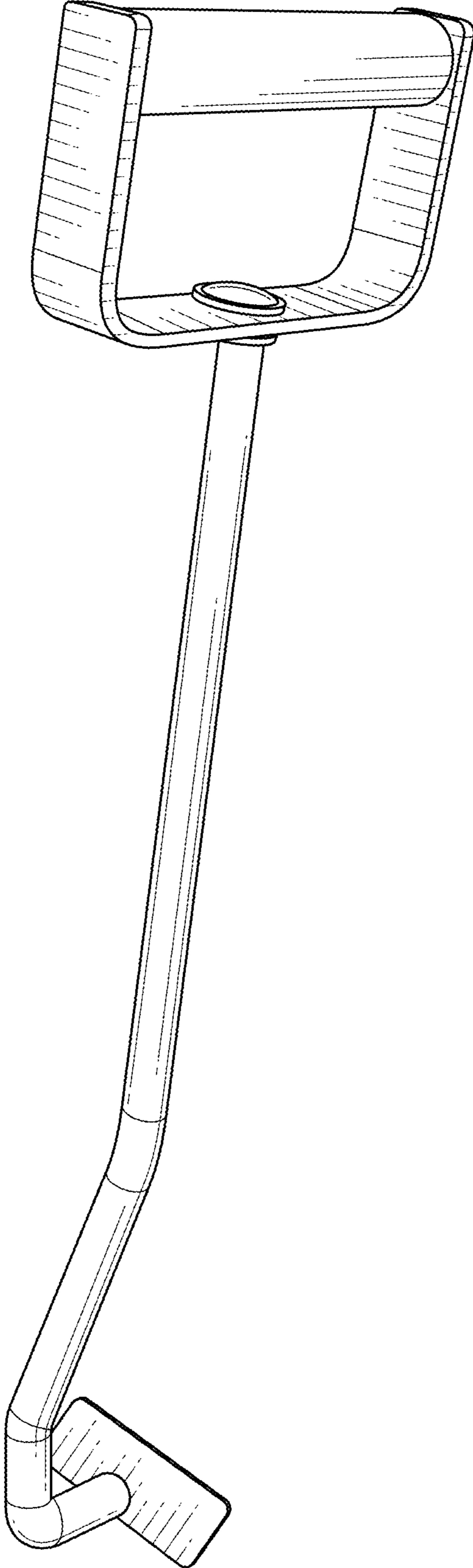


FIG. 1

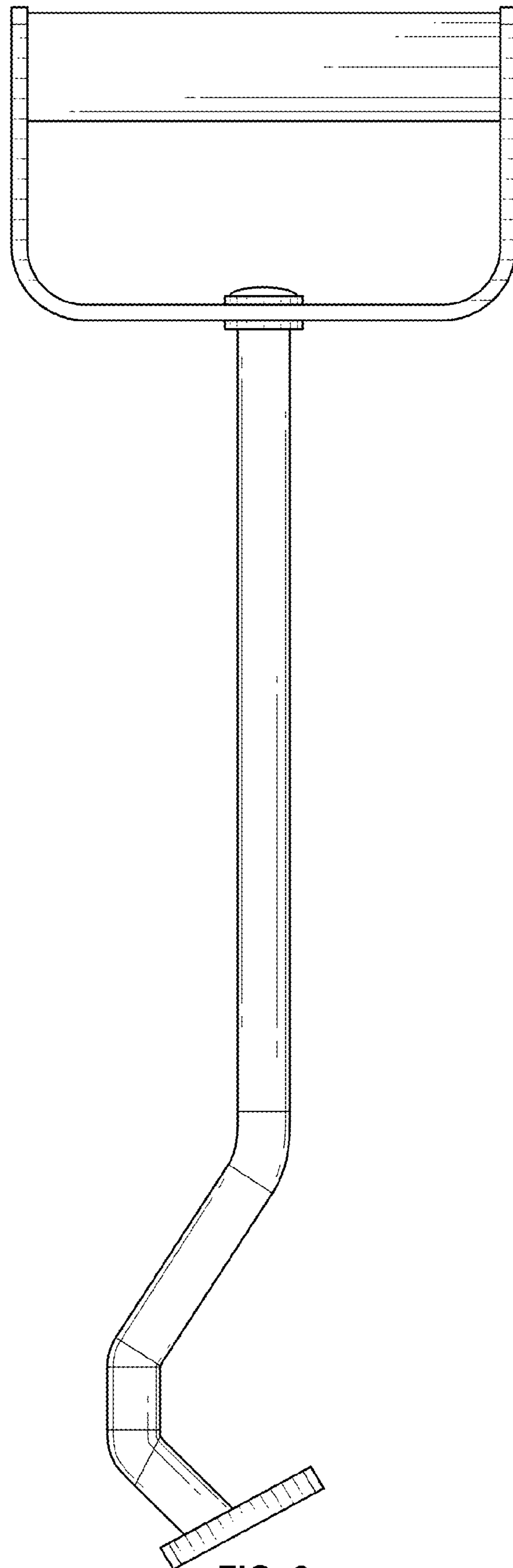


FIG. 2

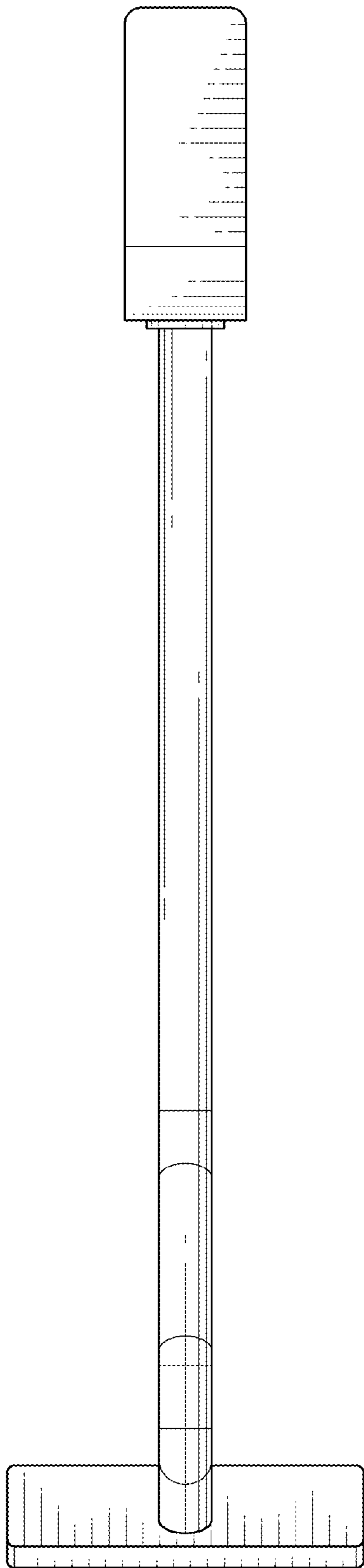


FIG. 3

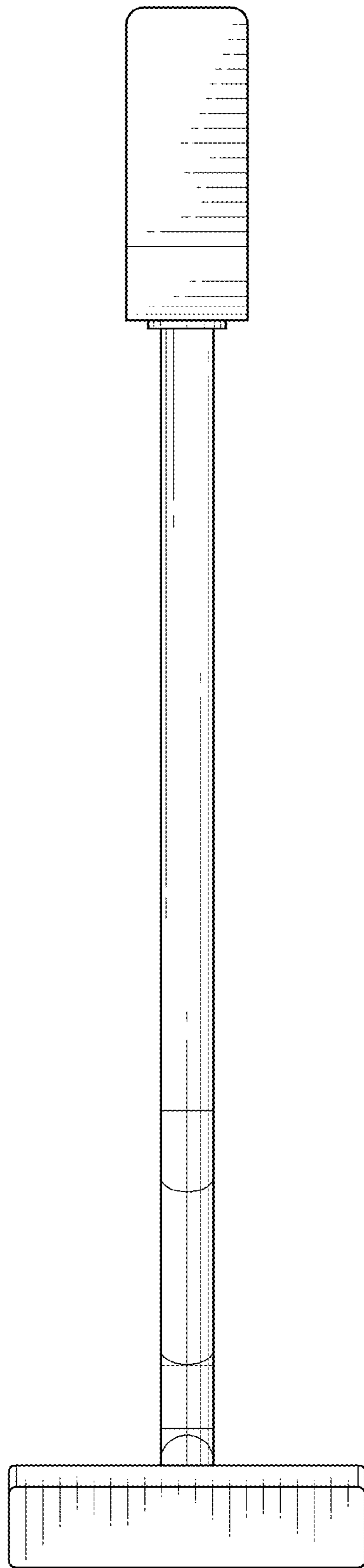


FIG. 4

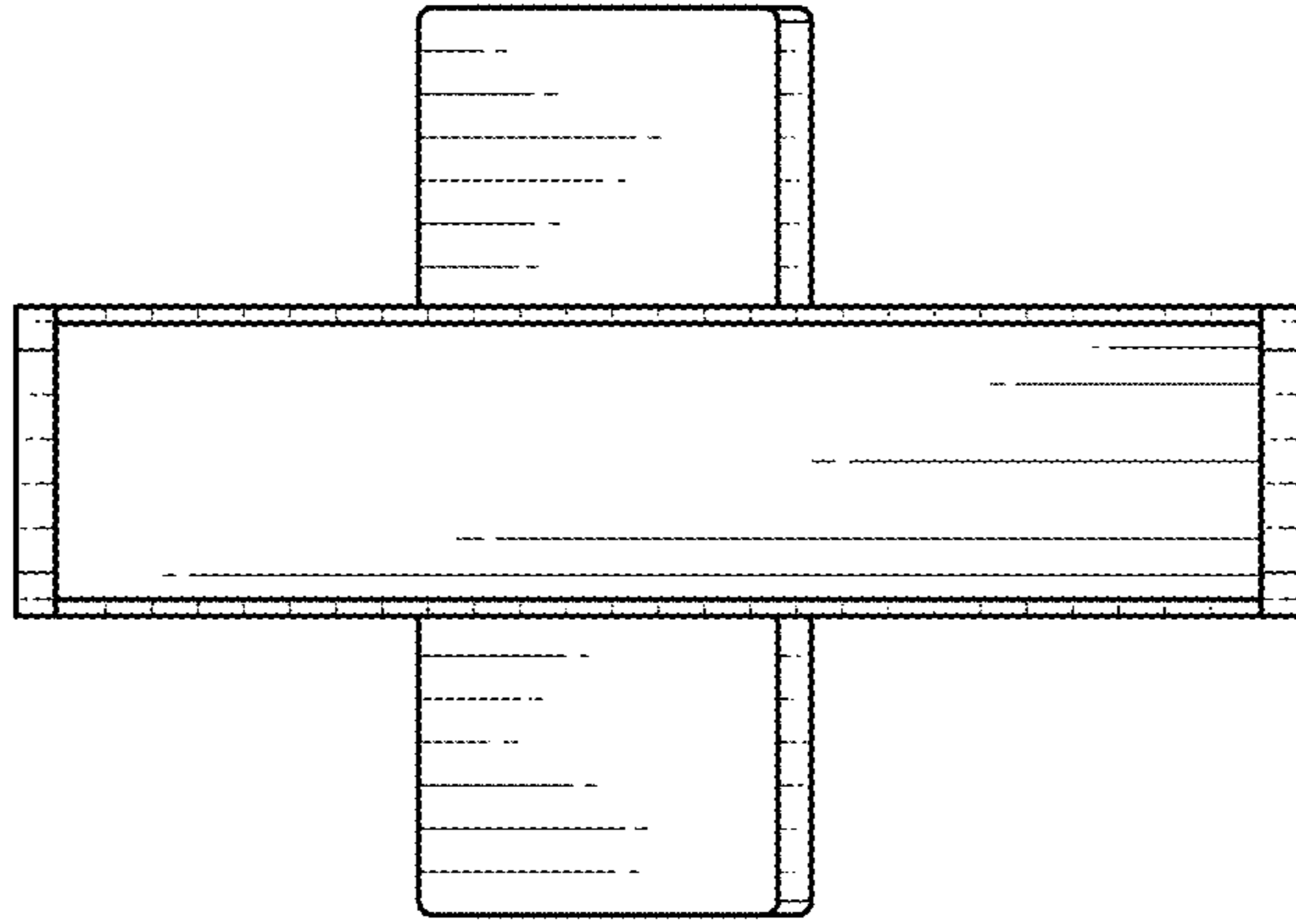


FIG. 5

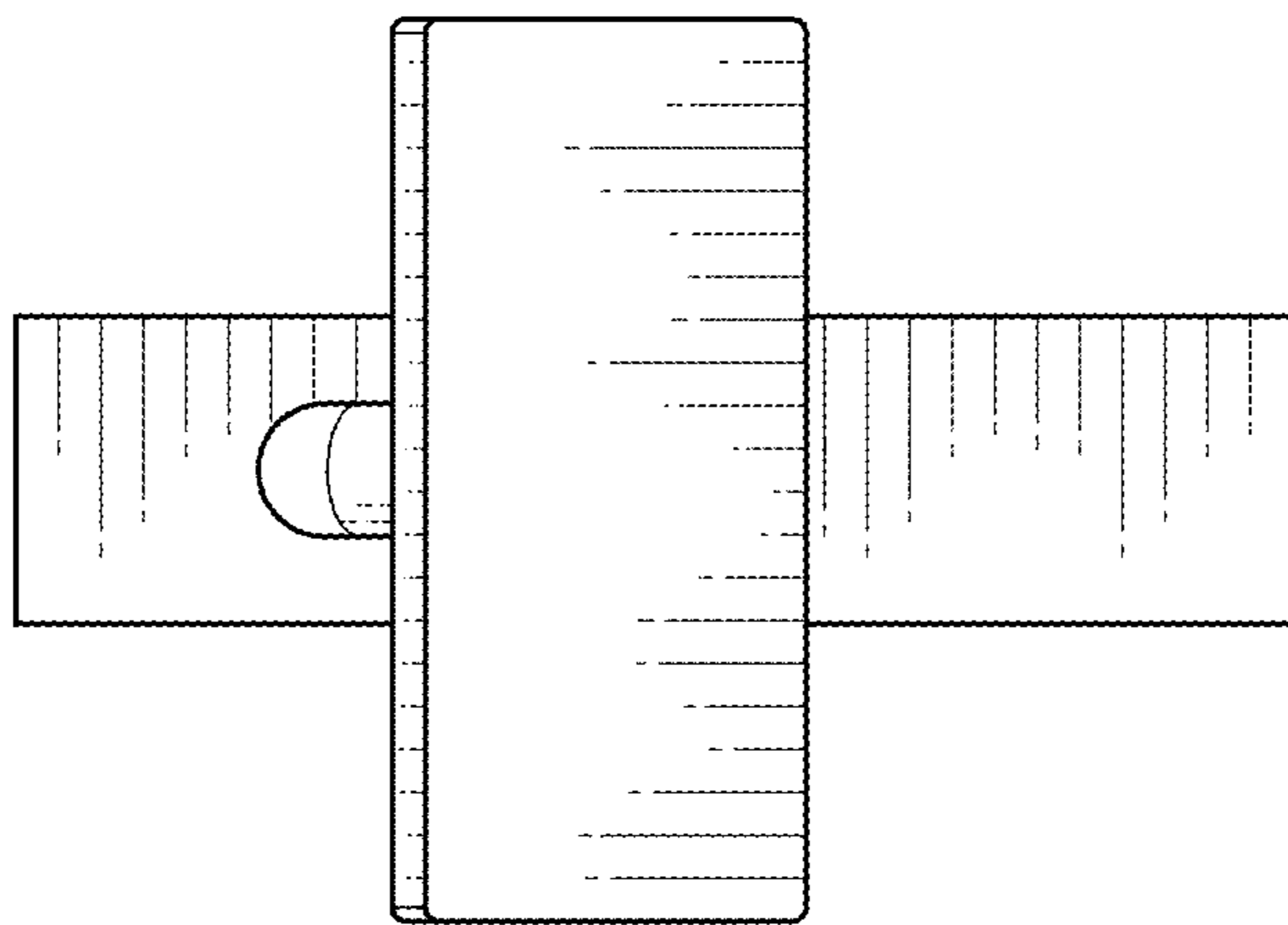


FIG. 6

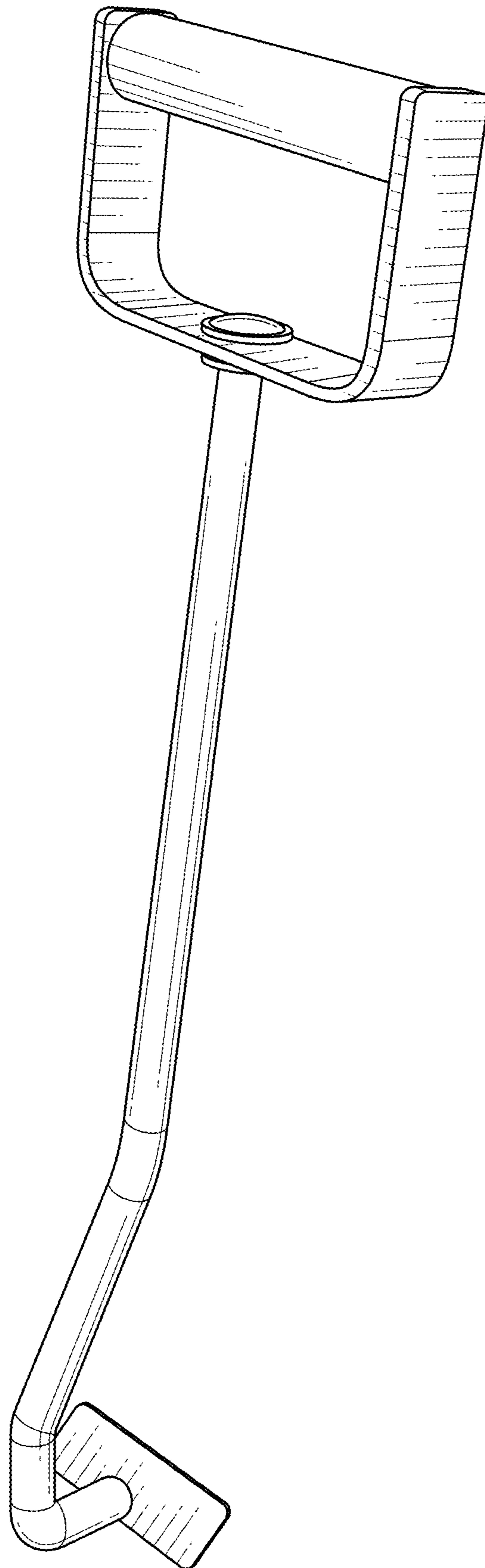


FIG. 7

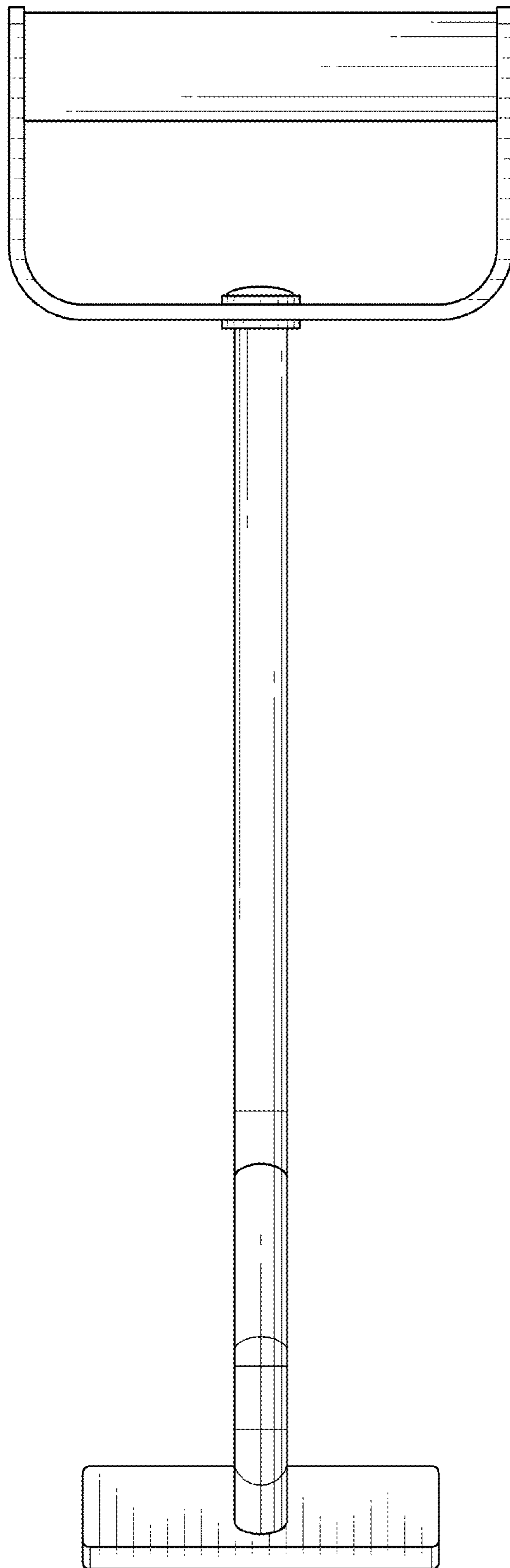


FIG. 8



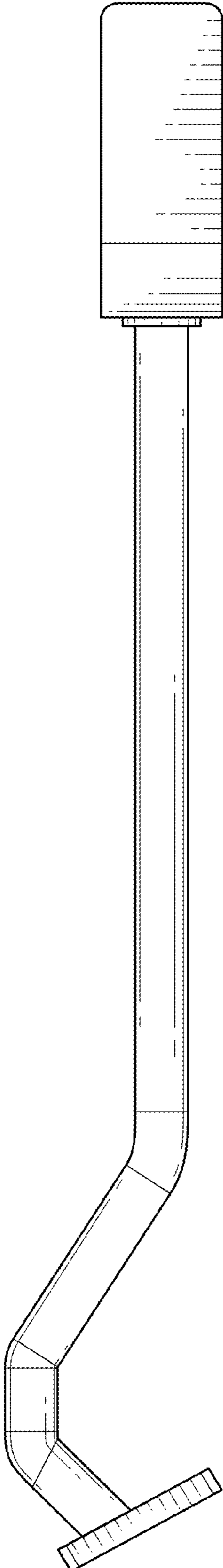


FIG. 9

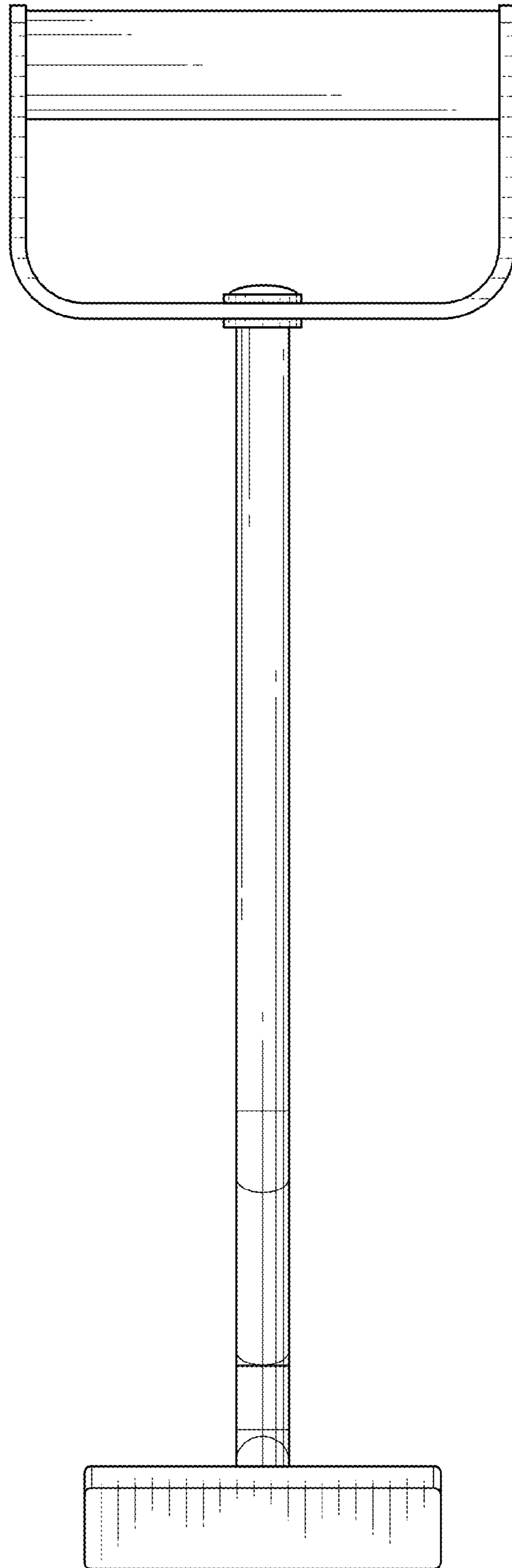


FIG. 10

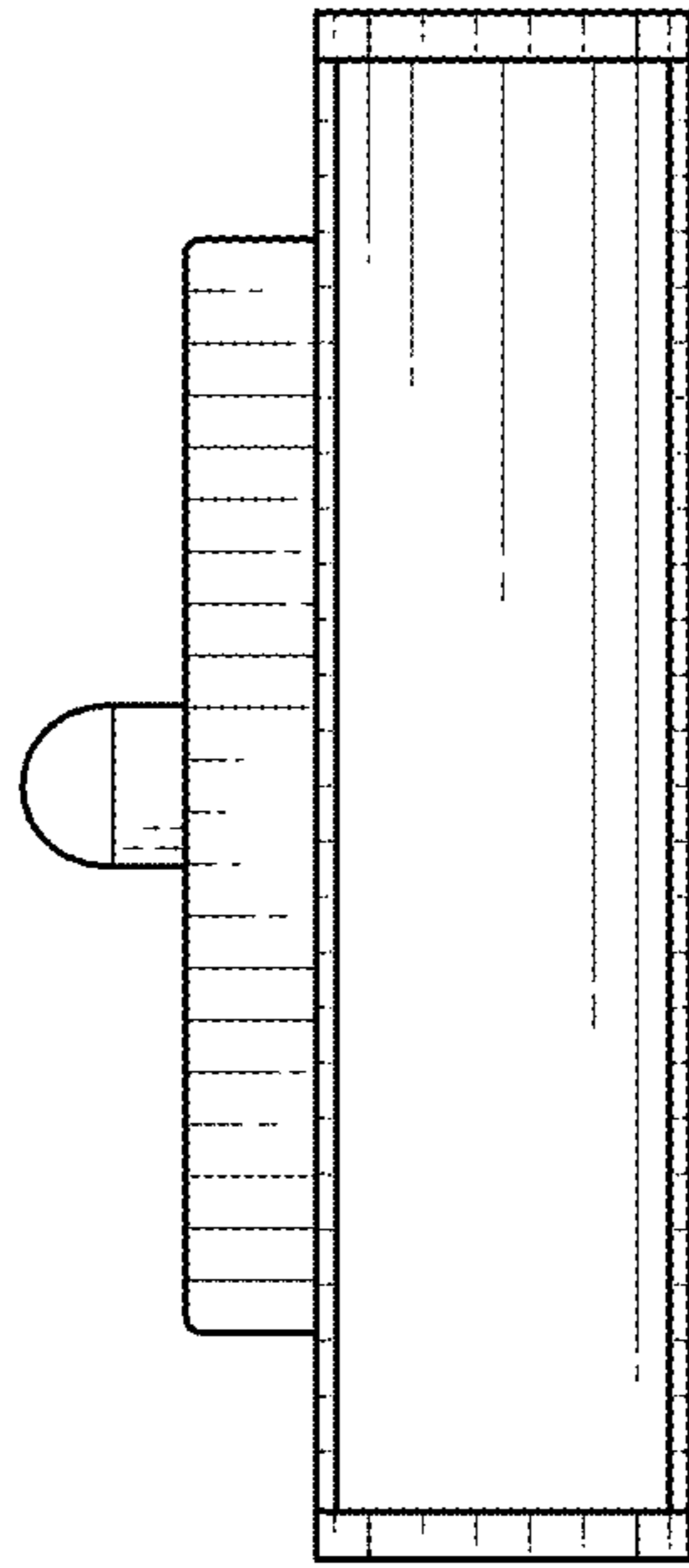


FIG. 11

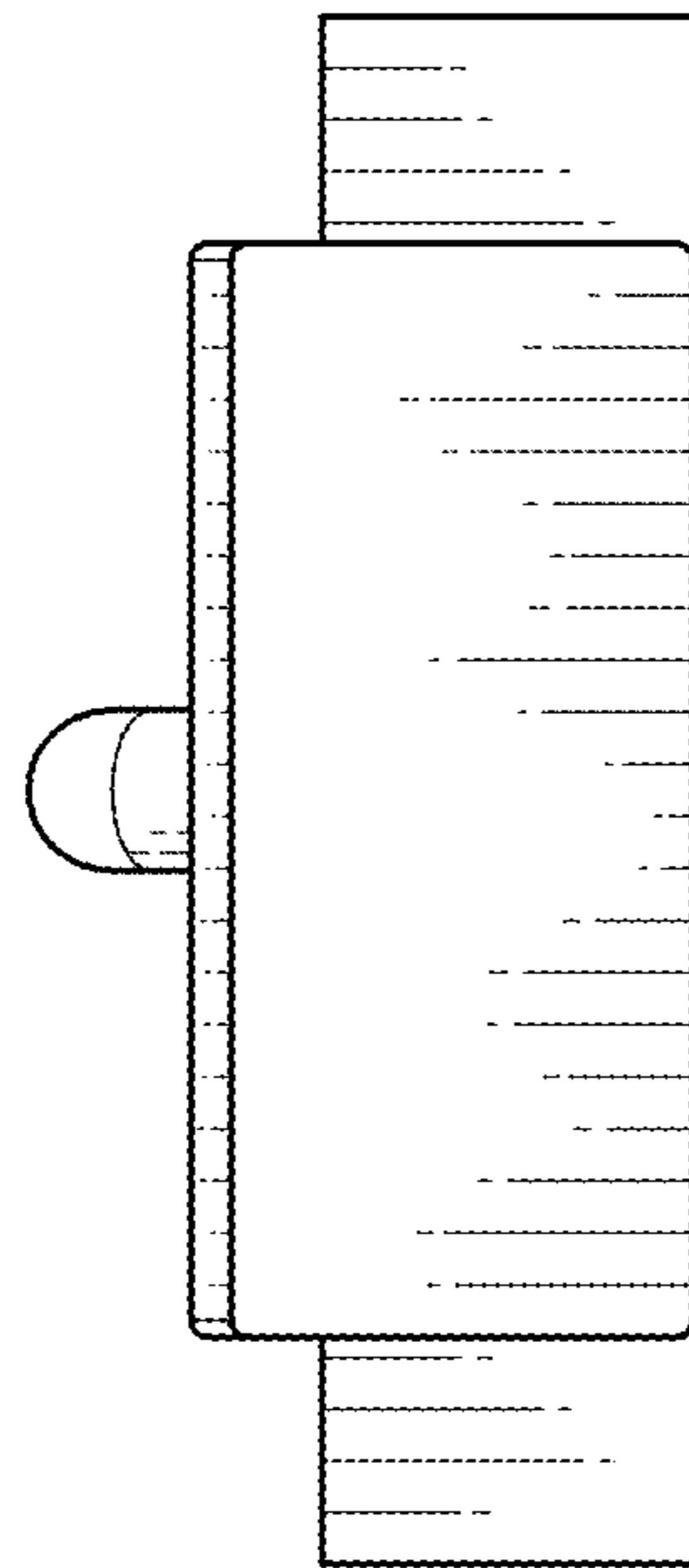


FIG. 12