



US00D921322S

(12) **United States Design Patent**
Beasley et al.

(10) **Patent No.:** **US D921,322 S**
(45) **Date of Patent:** **** Jun. 1, 2021**

- (54) **CART**
- (71) Applicant: **Steelcase Inc.**, Grand Rapids, MI (US)
- (72) Inventors: **Charles Beasley**, Zeeland, MI (US);
Penghao Shan, Munich (DE); **John M. Allen**, Grand Rapids, MI (US); **Justin G. Beitzel**, Grand Rapids, MI (US);
Alban Moriniere, Munich (DE);
William Bennie, Rockford, MI (US)
- (73) Assignee: **Steelcase Inc.**, Grand Rapids, MI (US)
- (**) Term: **15 Years**
- (21) Appl. No.: **29/734,099**
- (22) Filed: **May 8, 2020**

- D313,878 S 1/1991 Rinkewich
- 5,016,948 A 5/1991 Welch et al.
- D330,651 S 11/1992 Battaglia
- D345,839 S 4/1994 Senese
- D354,186 S 1/1995 Grosfillex
- D360,725 S 7/1995 Snell
- D361,188 S 8/1995 Perelli
- D361,419 S 8/1995 Snell
- D361,422 S 8/1995 Coates
- D363,590 S 10/1995 Kazmerchek et al.
- D371,879 S 7/1996 Linder
- D373,668 S 9/1996 Linder
- D377,127 S 1/1997 Barrington
- D381,168 S 7/1997 Delmerico et al.
- D391,031 S 2/1998 Egan et al.
- D399,625 S 10/1998 Murphy et al.
- D400,334 S 10/1998 Hawkins
- D400,676 S 11/1998 Good
- D405,580 S 2/1999 Vanderminden
- D409,019 S 5/1999 Crinion
- D410,578 S 6/1999 Tisbo et al.

(Continued)

Related U.S. Application Data

- (63) Continuation of application No. 29/662,268, filed on Sep. 4, 2018, now Pat. No. Des. 887,101.
- (51) **LOC (13) Cl.** **12-02**
- (52) **U.S. Cl.**
USPC **D34/21**
- (58) **Field of Classification Search**
USPC D34/12-14, 16-18, 20-27; 280/641,
280/47.19, 47.24, 47.29, 79.11, 79.3,
280/47.34, 47.35, 638, 639, 651, 47.2
CPC B62B 1/12; B62B 1/20
See application file for complete search history.

Primary Examiner — Gino Colan

(74) *Attorney, Agent, or Firm* — Brinks Gilson & Lione

(57) **CLAIM**

We claim the ornamental design for a cart, as shown and described.

DESCRIPTION

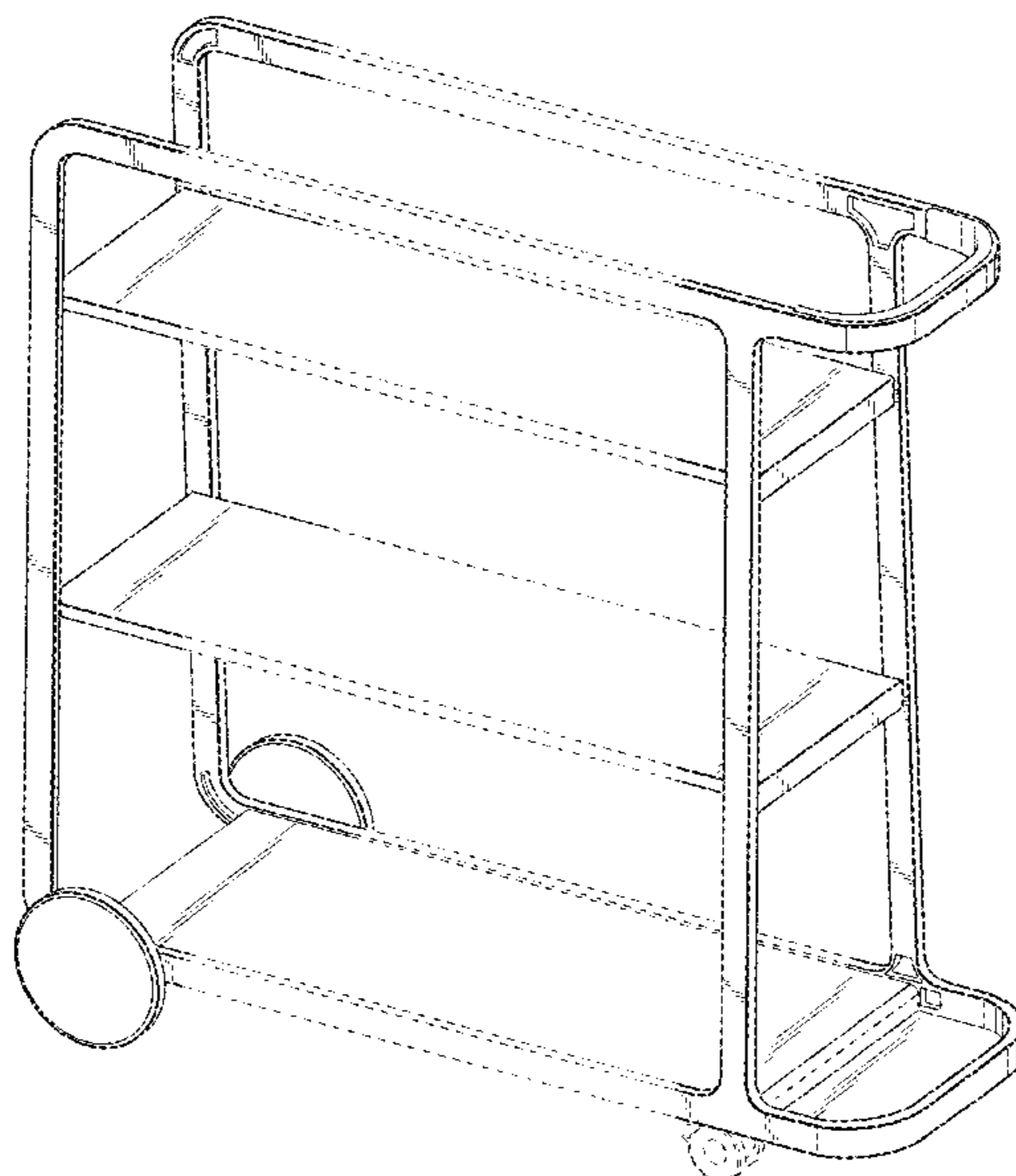
FIG. 1 is a top perspective view of a cart showing our design;
 FIG. 2 is a top plan view thereof;
 FIG. 3 is a bottom plan view thereof;
 FIG. 4 is a front elevation view thereof;
 FIG. 5 is a rear elevation view thereof;
 FIG. 6 is a right side elevation view thereof; and,
 FIG. 7 is a left side elevation view thereof.
 The broken lines in the figures illustrate portions of the cart that form no part of the claimed design.

(56) **References Cited**

U.S. PATENT DOCUMENTS

- 4,391,453 A 7/1983 Marsh
- 4,391,454 A * 7/1983 Marsh A47B 31/00
108/62
- 4,541,644 A 9/1985 Diener
- D285,853 S * 9/1986 Hubert D34/21
- D311,802 S 10/1990 Getto

1 Claim, 6 Drawing Sheets



(56)

References Cited

U.S. PATENT DOCUMENTS

D411,045 S 6/1999 Morandi
 D411,903 S 7/1999 Arvans
 D425,280 S 5/2000 vom Braucke et al.
 6,213,483 B1 4/2001 Gaffney
 D445,984 S 7/2001 Dickinson et al.
 D446,376 S 8/2001 Vanderbyl
 D469,591 S 1/2003 Vanderminden
 D472,027 S 3/2003 Walter
 D478,199 S 8/2003 Presnell et al.
 D480,527 S 10/2003 Kollen
 D481,188 S 10/2003 DiGiacomo, Jr. et al.
 D485,410 S 1/2004 Van Ledingham, Jr. et al.
 D486,618 S 2/2004 Crosco, Sr.
 D487,605 S 3/2004 Laverdière
 D492,076 S 6/2004 Kollen
 D497,232 S 10/2004 McDiarmid
 D504,000 S 4/2005 Underbrink et al.
 D510,168 S 9/2005 Lovegrove et al.
 D523,202 S 6/2006 Willison
 D523,607 S 6/2006 Huguet
 D527,856 S 9/2006 Tropepe
 D554,323 S 10/2007 Roth

D555,871 S 11/2007 Pong
 D585,621 S 1/2009 Taillon
 D588,322 S 3/2009 Tilk et al.
 D598,623 S 8/2009 Zang Wentz Pho et al.
 D608,071 S 1/2010 Presnell
 D608,970 S 1/2010 Cordeiro
 D616,551 S 5/2010 Fallon et al.
 D618,419 S 6/2010 Catron et al.
 D636,550 S 4/2011 Molayem
 D657,110 S 4/2012 Schlomann
 D678,641 S 3/2013 Es
 D703,412 S 4/2014 Snider et al.
 D722,413 S 2/2015 Crow
 D747,837 S 1/2016 Chang
 D748,359 S 1/2016 Lustig et al.
 D750,861 S 3/2016 Alletto, Jr.
 D798,520 S 9/2017 Walter et al.
 D809,730 S 2/2018 Churchvara et al.
 D810,380 S 2/2018 Sommerfield et al.
 D814,735 S 4/2018 Rockwell et al.
 10,390,614 B1 8/2019 Olivier
 D887,100 S * 6/2020 Beasley D34/21
 D887,101 S * 6/2020 Beasley D34/21
 D887,102 S * 6/2020 Beasley D34/21

* cited by examiner

Fig. 1

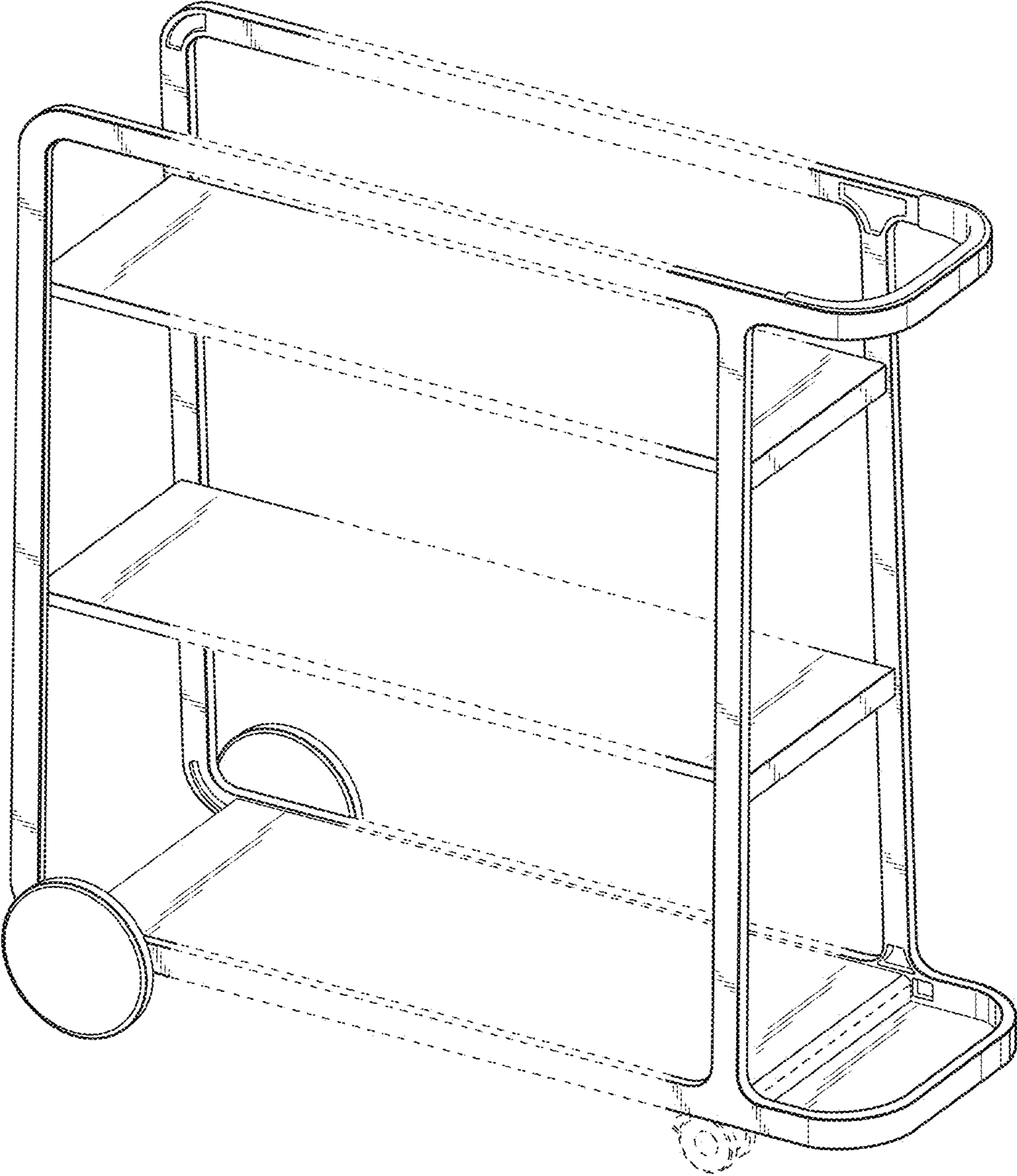


Fig. 2

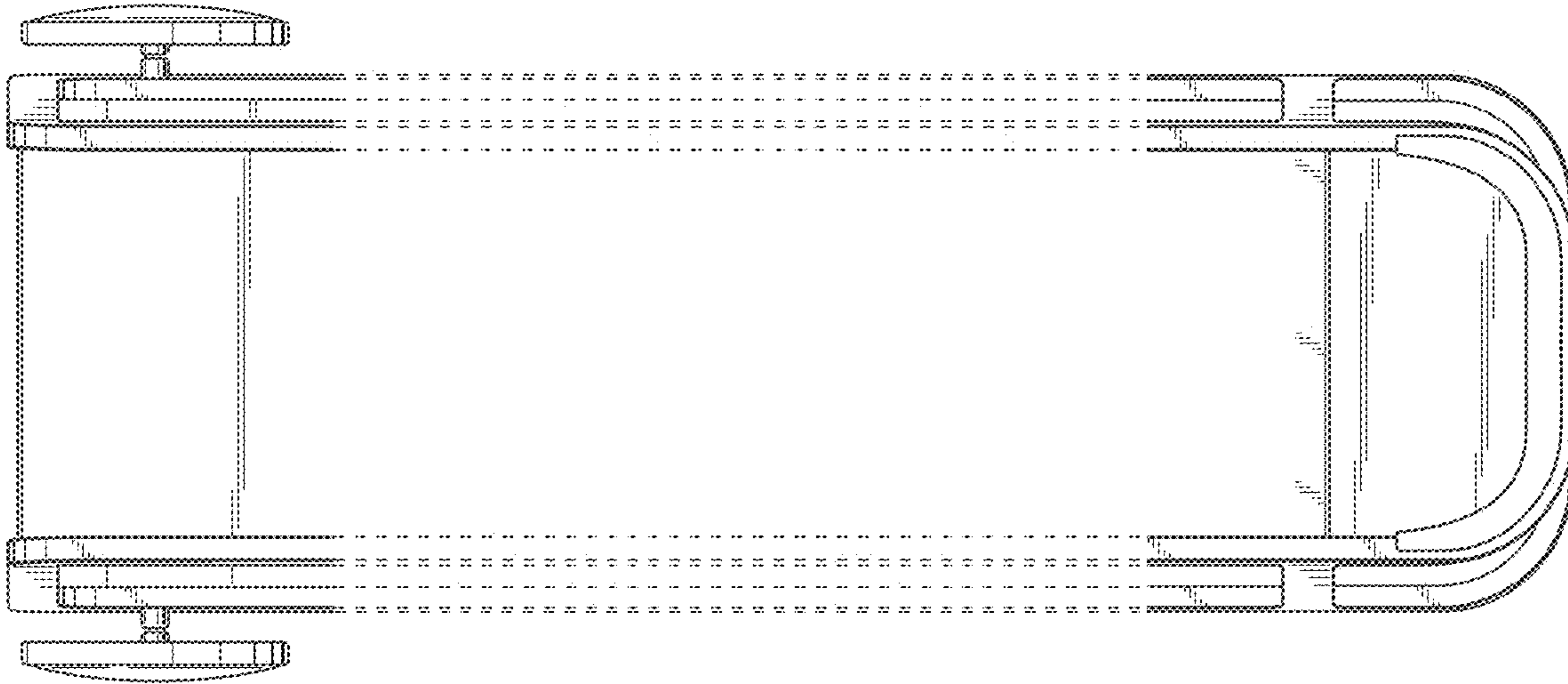


Fig. 3



Fig. 4

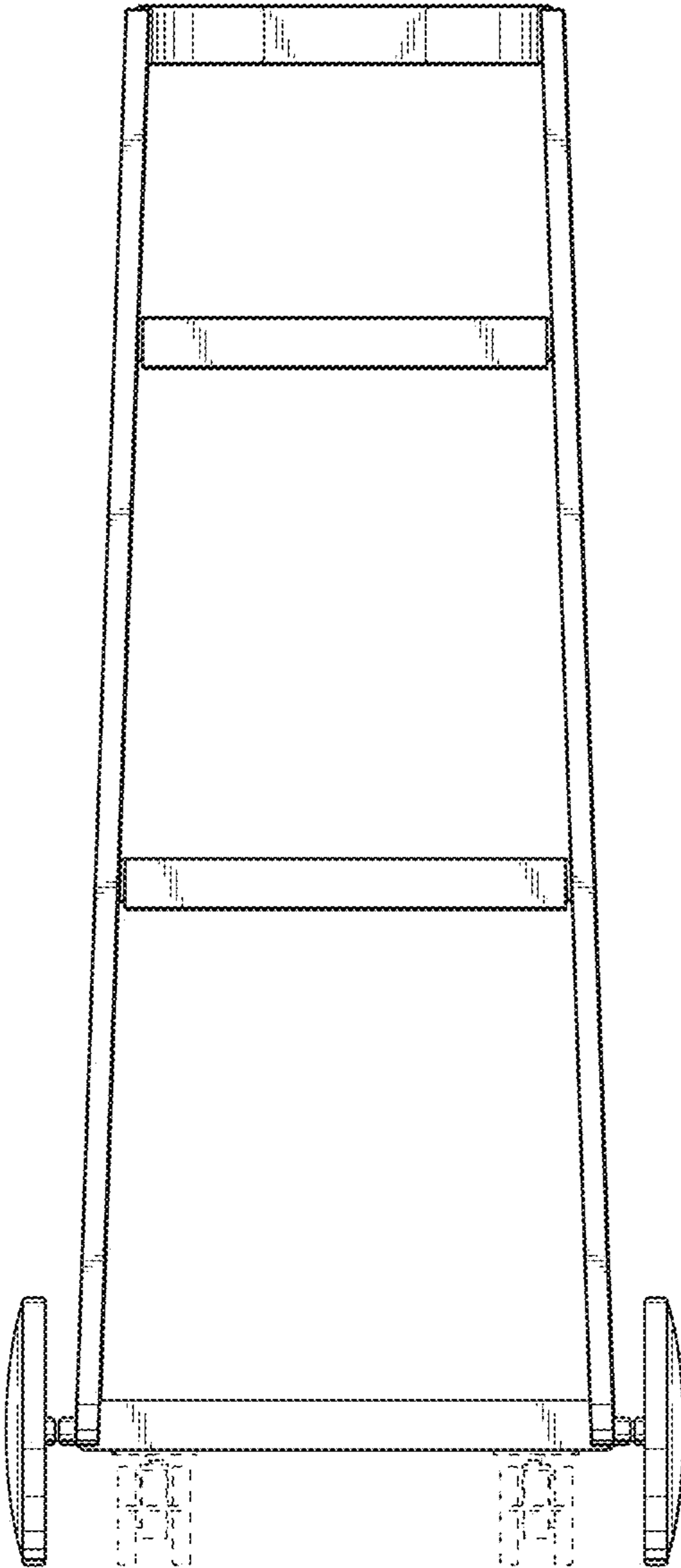


Fig. 5

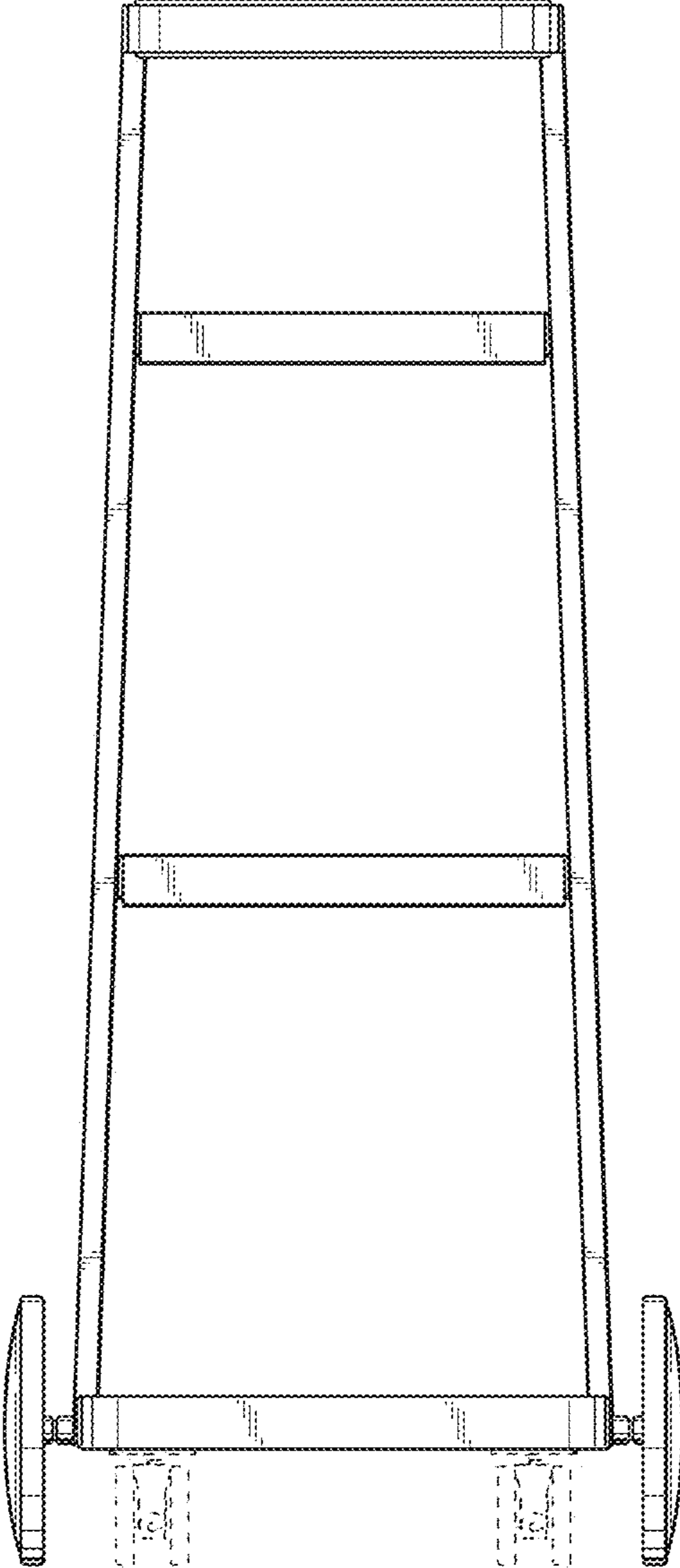


Fig. 6

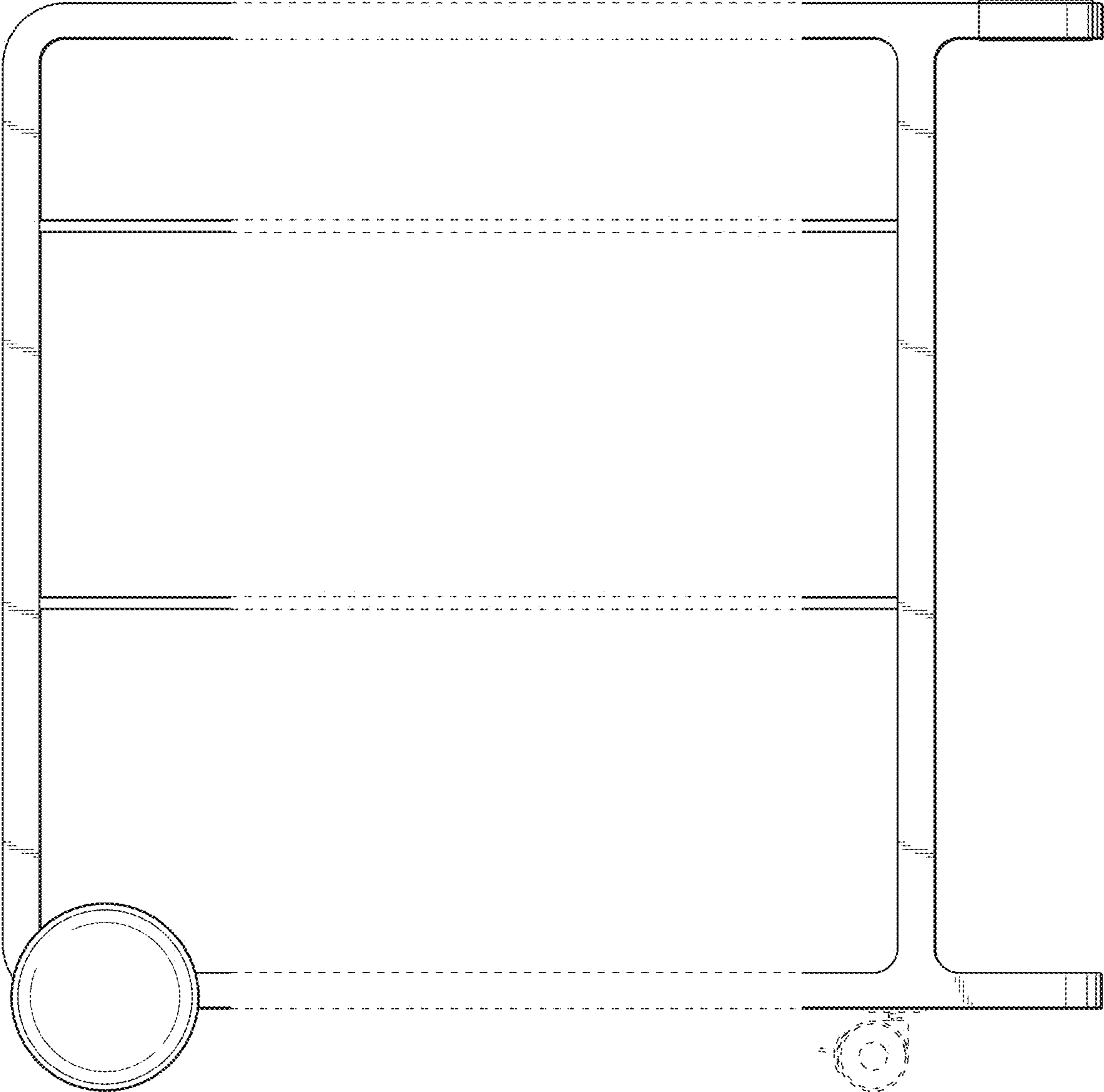


Fig. 7

