



US00D921321S

(12) **United States Design Patent** (10) **Patent No.:** **US D921,321 S**
Pang (45) **Date of Patent:** **** Jun. 1, 2021**

(54) **FOLDING CART**

OTHER PUBLICATIONS

(71) Applicant: **QINGDAO TMZ TOOLS CO., LTD.**,
Qingdao (CN)

Mac Sports Costco, announced 2020 [online], [site visited Feb. 9, 2021]. Available from internet, URL: <https://www.costco.com/Mac+Sports+XL+Folding+Wagon+with+Cargo+Net+product.100518869.html> (Year: 2020).*

(72) Inventor: **Wei Pang**, Qingdao (CN)

(Continued)

(73) Assignee: **QINGDAO TMZ TOOLS CO., LTD.**,
Qingdao (CN)

Primary Examiner — George A Bugg
Assistant Examiner — Tamara L Hahn

(**) Term: **15 Years**

(74) *Attorney, Agent, or Firm* — Buchanan Ingersoll & Rooney PC

(21) Appl. No.: **29/652,049**

(22) Filed: **Apr. 24, 2020**

(57) **CLAIM**

(51) **LOC (13) Cl.** **12-02**

The ornamental design for a folding cart, as shown and described.

(52) **U.S. Cl.**

USPC **D34/12**

(58) **Field of Classification Search**

DESCRIPTION

USPC D34/12-27; D21/425, 423, 534;

D12/105, 106

CPC .. B62B 3/00; B62B 3/02; B62B 3/022; B62B
3/001; B62B 5/067; B62B 7/06

See application file for complete search history.

FIG. 1 is an enlarged rear view of a folding cart in an unfolded configuration;

FIG. 2 is a top view of FIG. 1;

FIG. 3 is a left-hand side view of FIG. 1;

FIG. 4 is an enlarged front view of FIG. 1;

FIG. 5 is a bottom view of FIG. 1;

FIG. 6 is a top perspective view of FIG. 1;

FIG. 7 is an enlarged rear view of the folding cart in a folded configuration;

FIG. 8 is an enlarged top view of FIG. 7;

FIG. 9 is an enlarged right-hand side view of FIG. 7;

FIG. 10 is an enlarged top perspective view of FIG. 7;

FIG. 11 is an enlarged rear and top perspective view of the front wheels portion of the folding cart; and,

FIG. 12 is an enlarged, exploded, rear and top perspective view of the right-hand, rear wheel portion of the folding cart.

The broken lines shown in FIGS. 11 and 12 indicate these illustrations as being enlarged partial views and the broken lines for no part of the claimed design.

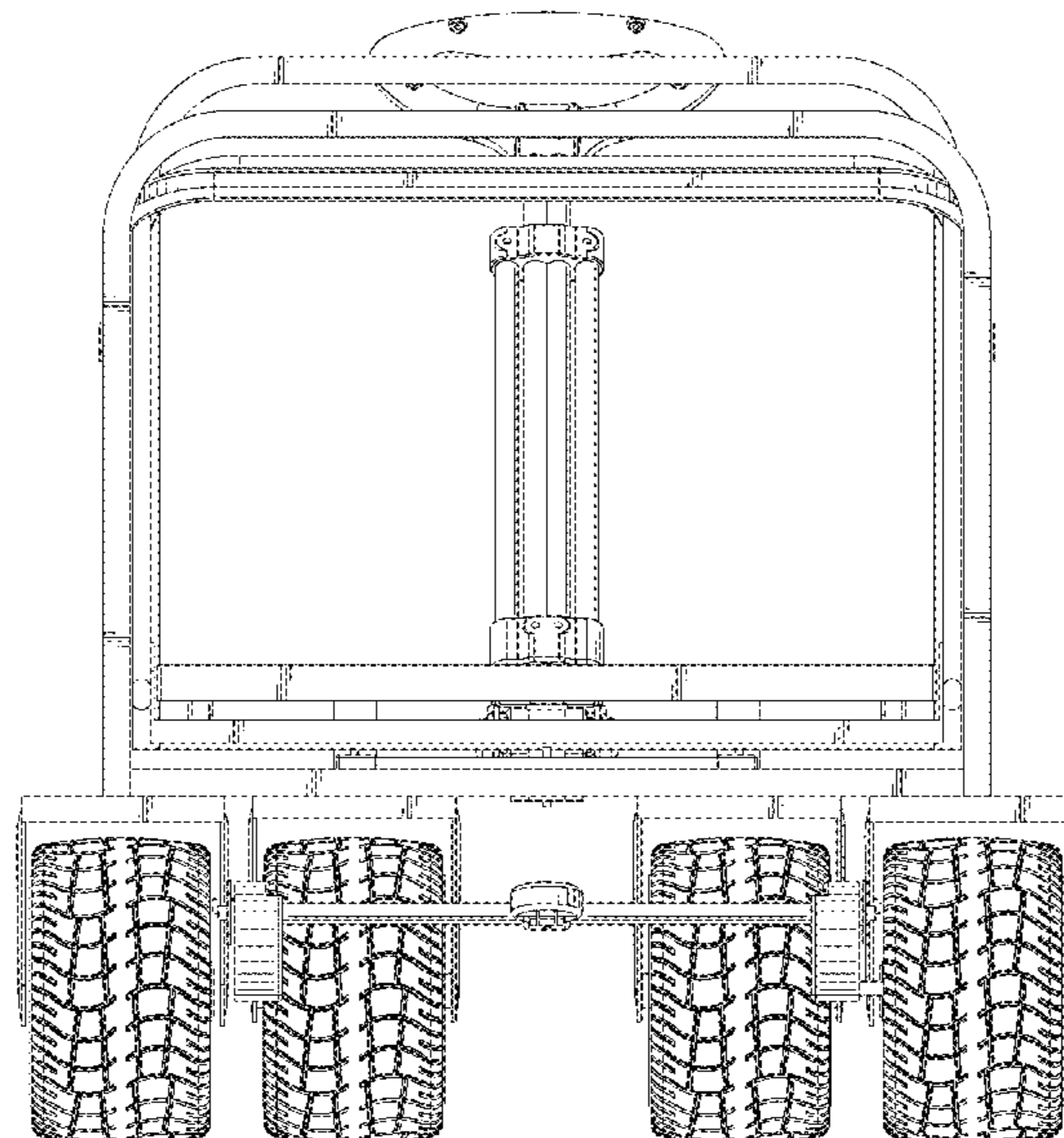
(56) **References Cited**

U.S. PATENT DOCUMENTS

D634,245 S *	3/2011	Liao	D12/129
D730,010 S *	5/2015	Jin	D34/12
9,738,298 B1 *	8/2017	Yang	B62B 5/0003
D827,722 S *	9/2018	Sun	D21/425
10,099,711 B1 *	10/2018	Sun	B62B 3/025
D861,278 S *	9/2019	Pang	B62B 3/001
				D34/12
D877,442 S *	3/2020	Ohirko	D34/17
D880,799 S *	4/2020	Pang	D34/12
D893,637 S *	8/2020	Ma	D21/425
D894,290 S *	8/2020	Liu	D21/425
D905,795 S *	12/2020	McCollum	D21/425
D908,302 S *	1/2021	Shi	D34/12
2018/0297622 A1 *	10/2018	Chen	B62B 3/007

(Continued)

1 Claim, 12 Drawing Sheets



(56)

References Cited

U.S. PATENT DOCUMENTS

2020/0255046 A1* 8/2020 Bowman B62B 3/022

OTHER PUBLICATIONS

All Terrain Wagon, announced 2021 [online], [site visited Feb. 9, 2021]. Available from internet, URL: <https://customfoldingwagons.com/products/all-terrain-folding-wagon-with-canopy-gray-orange> (Year: 2021).*

Femor Wagon Amazon, announced 2020 [online], [site visited Feb. 9, 2021]. Available from internet, URL: https://www.amazon.com/dp/B086W565S7/ref=sspa_dk_detail_0 (Year: 2020).*

U.S. Appl. No. 29/730,576, filed Apr. 24, 2020.

* cited by examiner

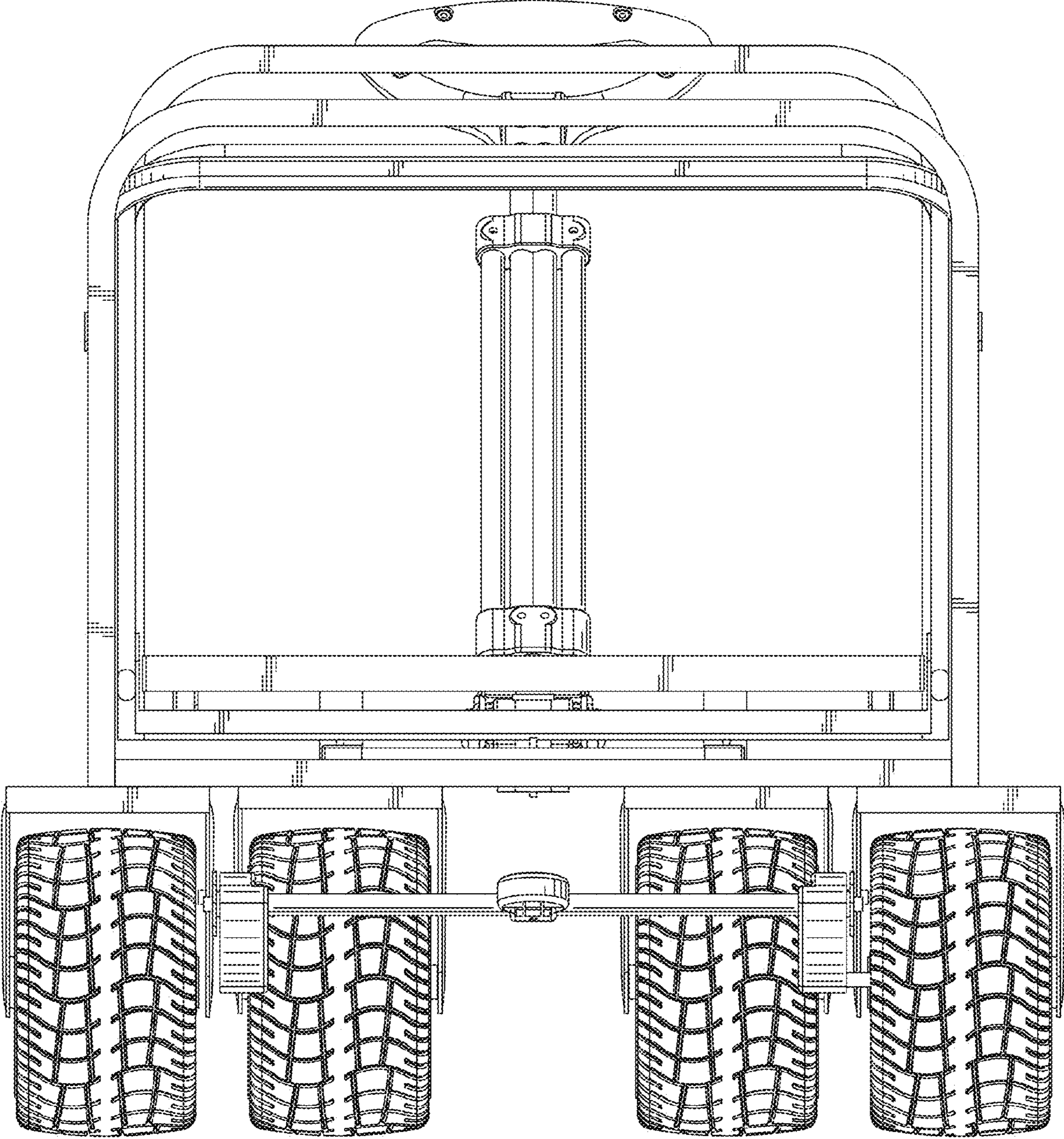


FIG. 1

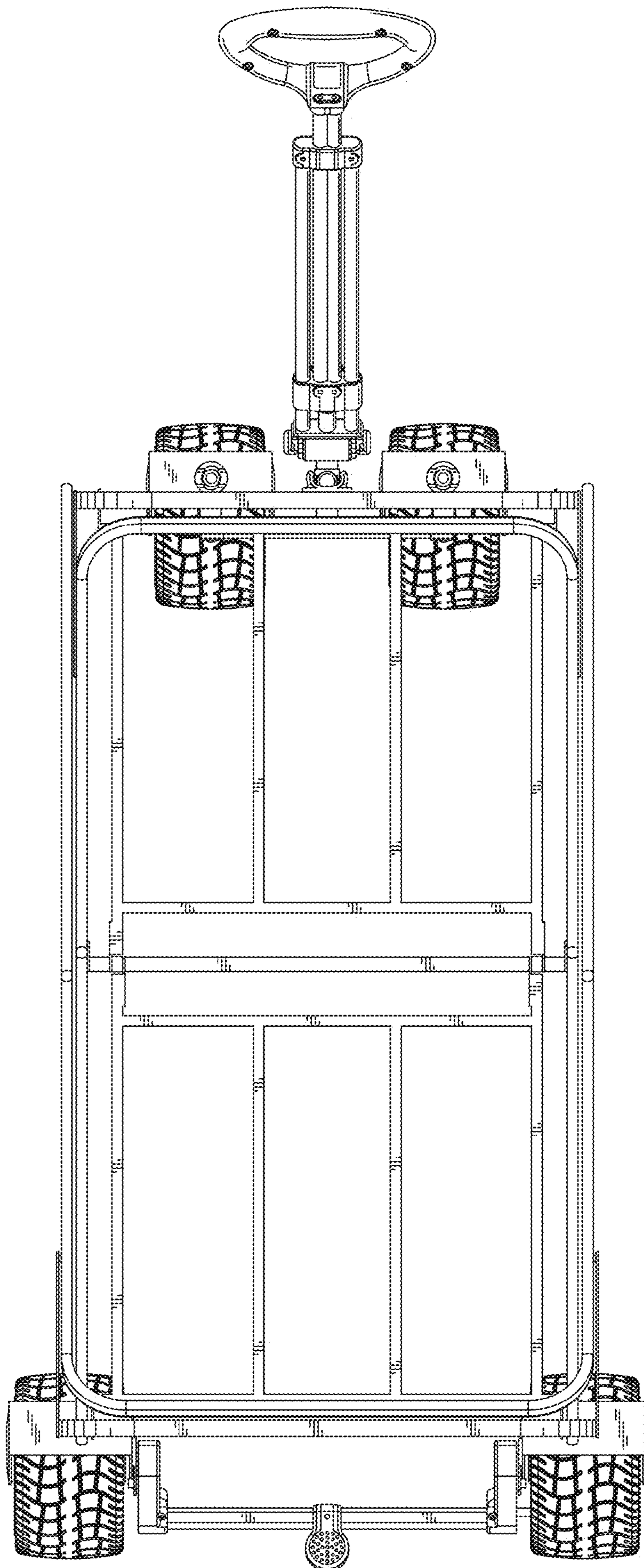


FIG. 2

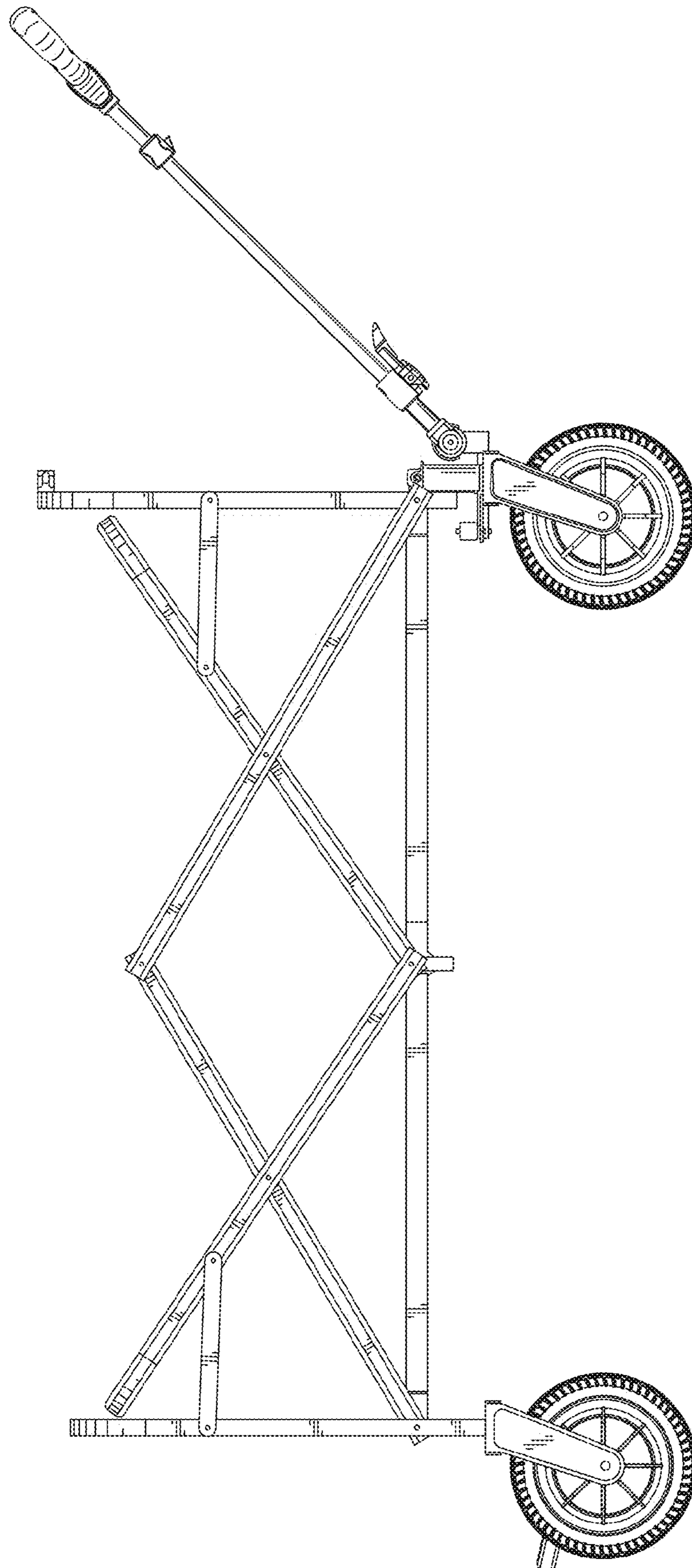


FIG. 3

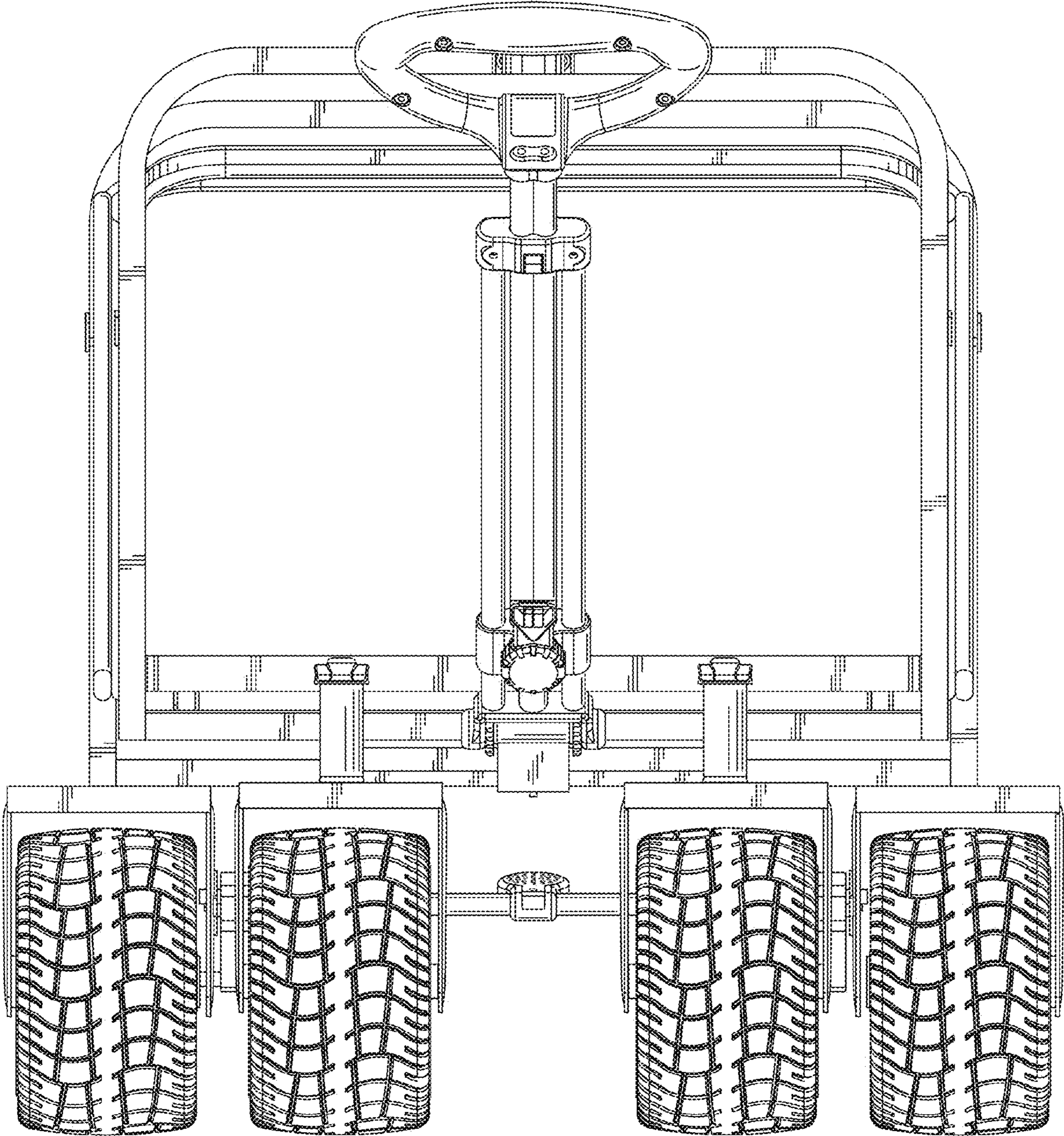


FIG. 4

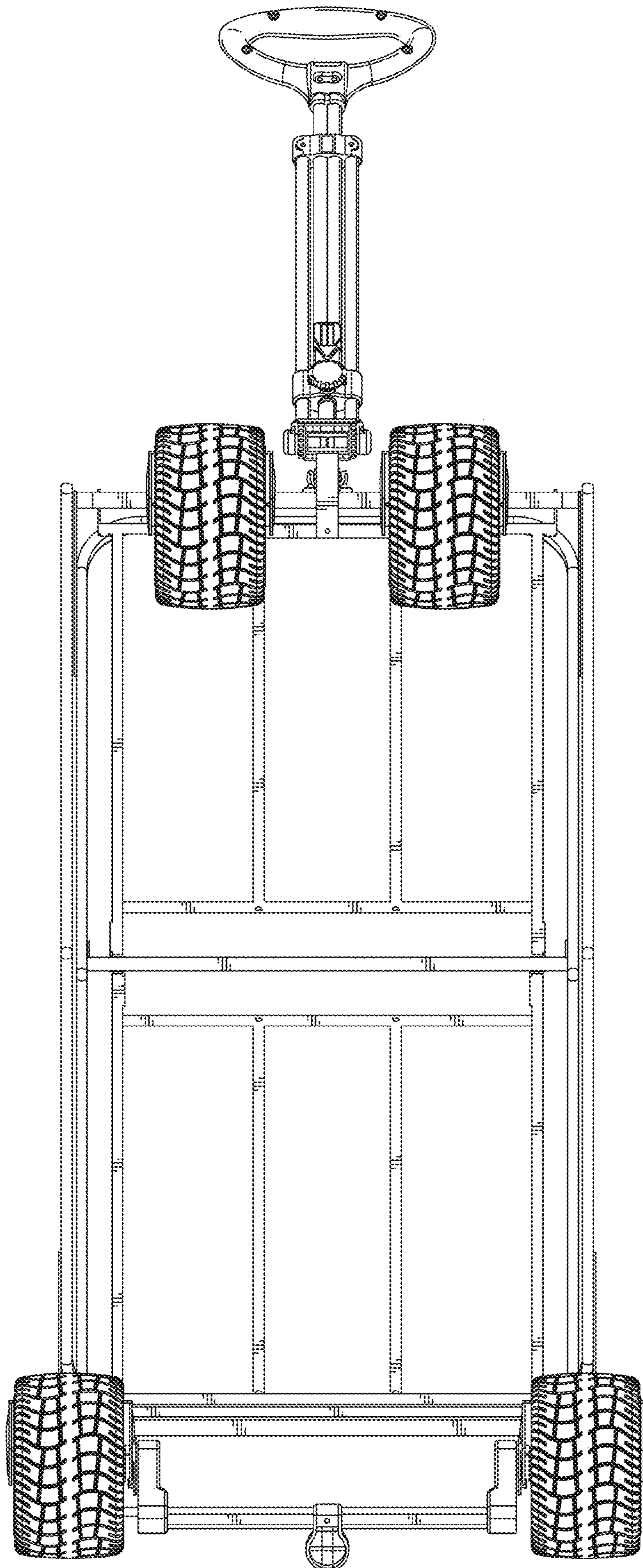


FIG. 5

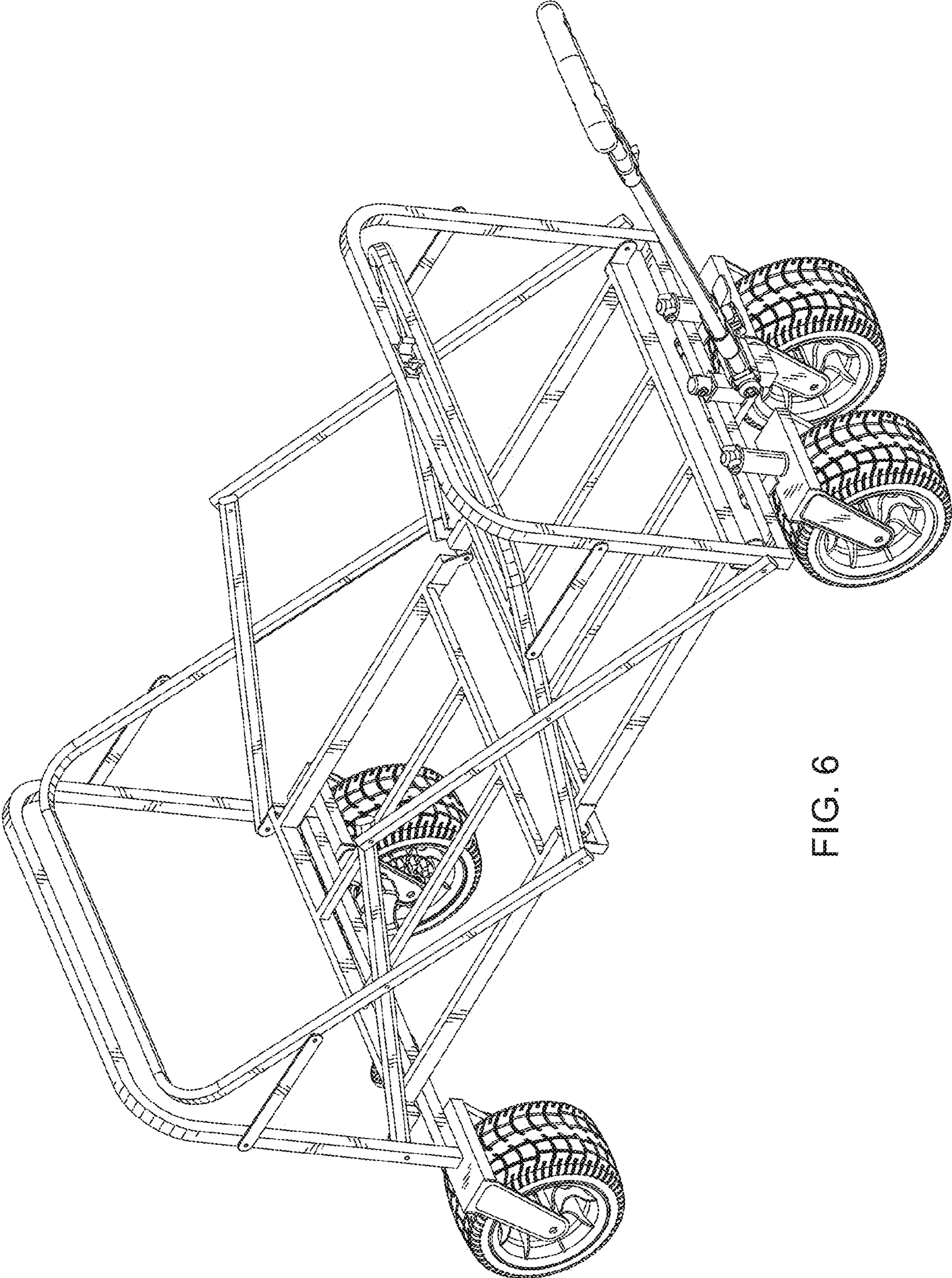


FIG. 6

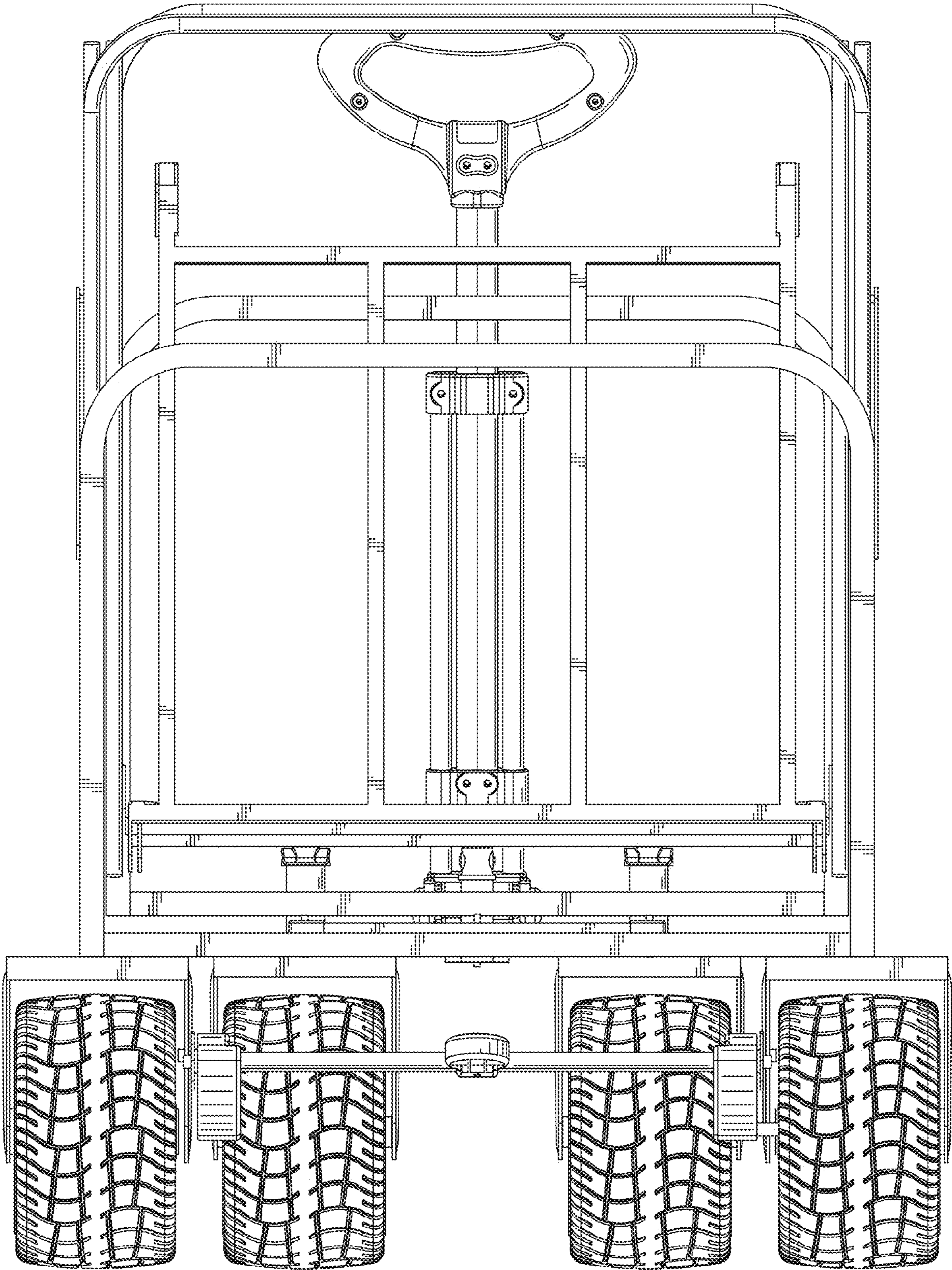


FIG. 7

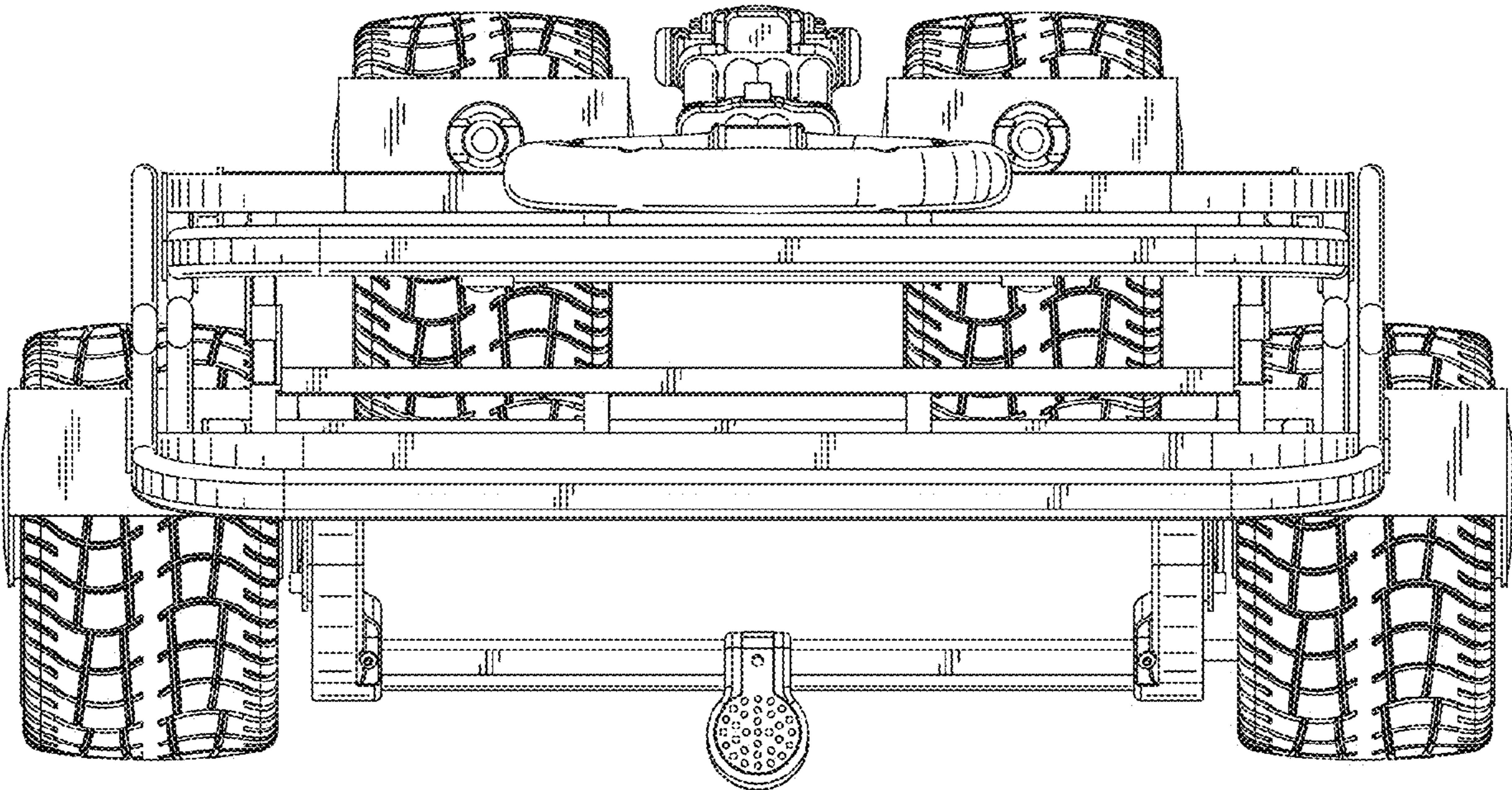


FIG. 8

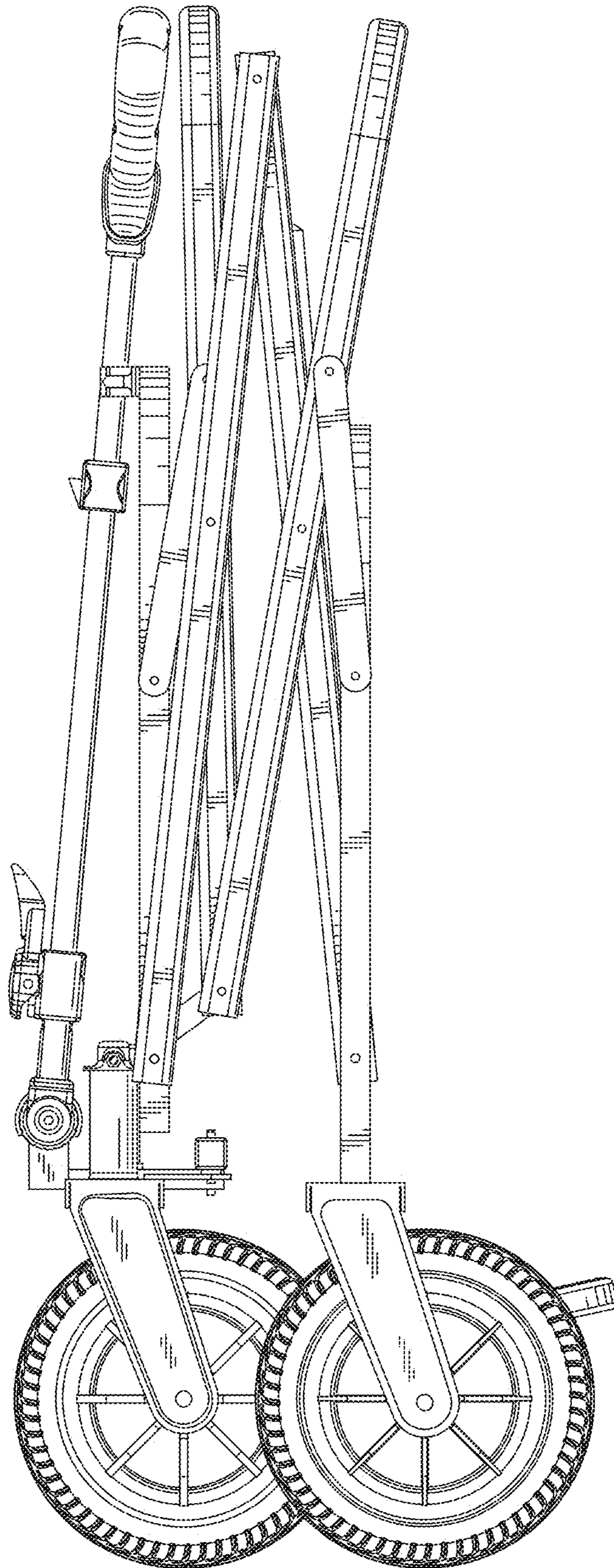


FIG. 9

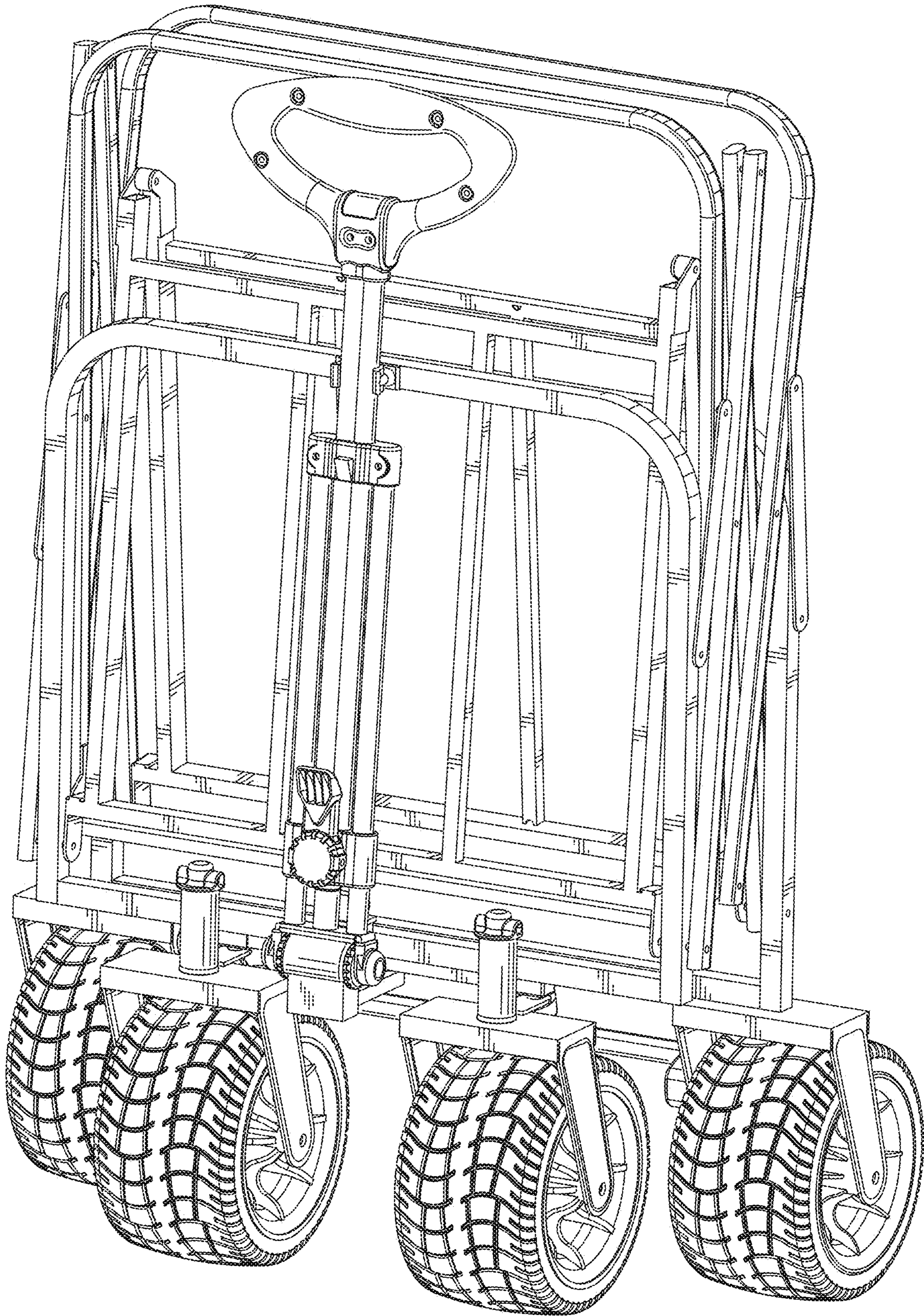


FIG. 10

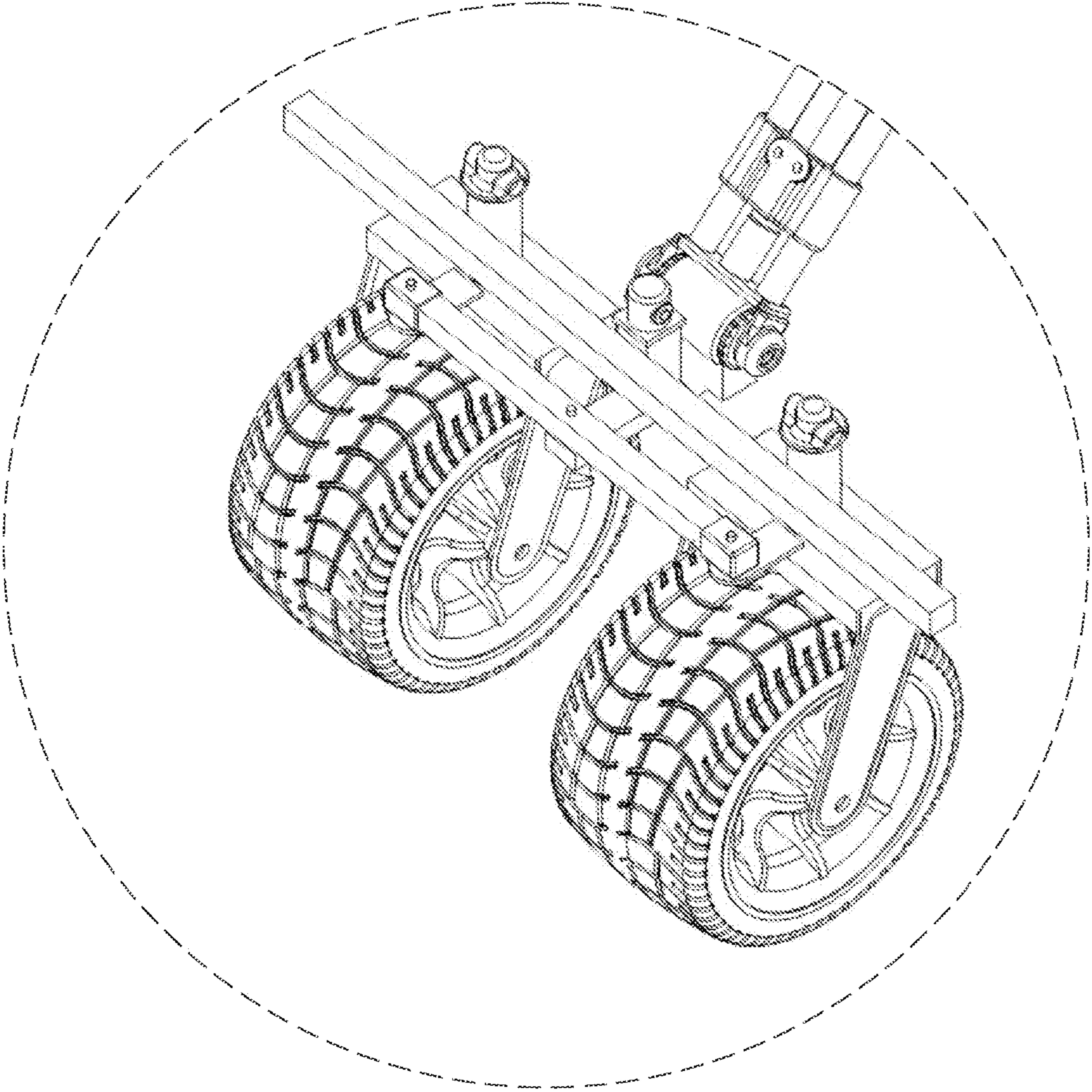


FIG. 11

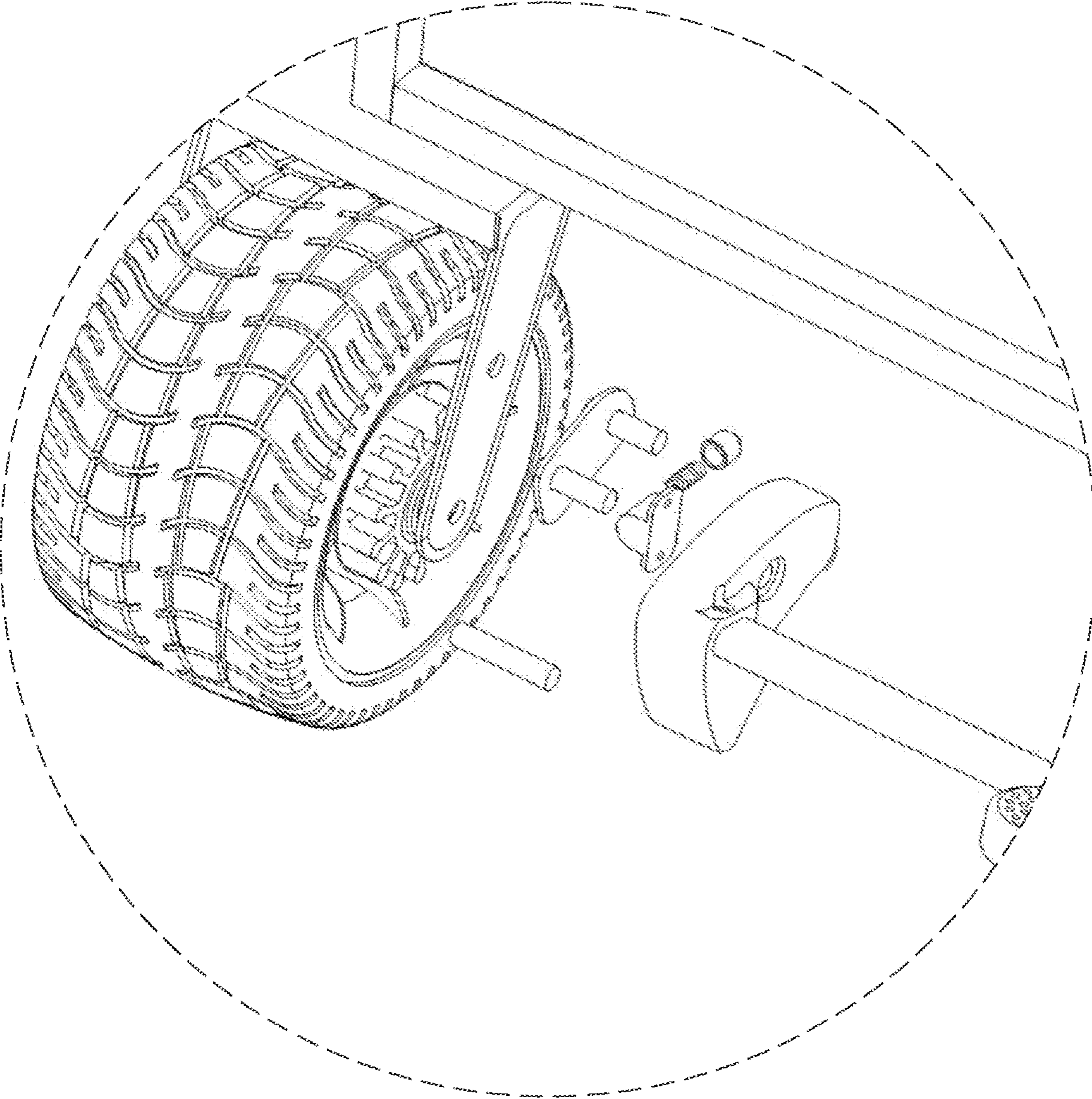


FIG. 12