



US00D921320S

(12) **United States Design Patent**
Hu

(10) **Patent No.:** **US D921,320 S**

(45) **Date of Patent:** **** Jun. 1, 2021**

(54) **DISH RACK**

(71) Applicant: **Dongguan Youpai Household Products Co., Ltd.**, Guangdong (CN)

(72) Inventor: **Jun Hu**, Guangdong (CN)

(**) Term: **15 Years**

(21) Appl. No.: **29/744,381**

(22) Filed: **Jul. 29, 2020**

(51) **LOC (13) Cl.** **07-05**

(52) **U.S. Cl.**
USPC **D32/55**

(58) **Field of Classification Search**
USPC D32/585, 276, 3; D6/510, 525;
D30/133; 211/41.5, 41.4, 41.3, 41.8;
312/311, 333, 334.4; D7/354, 629
CPC .. A47L 15/505; A47L 15/503; A47L 15/0013;
A47L 19/02; A47L 19/04; A47J 47/20
See application file for complete search history.

(56) **References Cited**

U.S. PATENT DOCUMENTS

D597,342 S * 8/2009 Dickson D6/675.2
D630,813 S * 1/2011 Molayem D32/55

D862,822 S * 10/2019 Zhao D32/55
D862,823 S * 10/2019 Zhao D32/55
D871,704 S 12/2019 Tuang
D882,199 S * 4/2020 Cao D32/55
D903,216 S * 11/2020 Xie D32/55

* cited by examiner

Primary Examiner — Austin Murphy

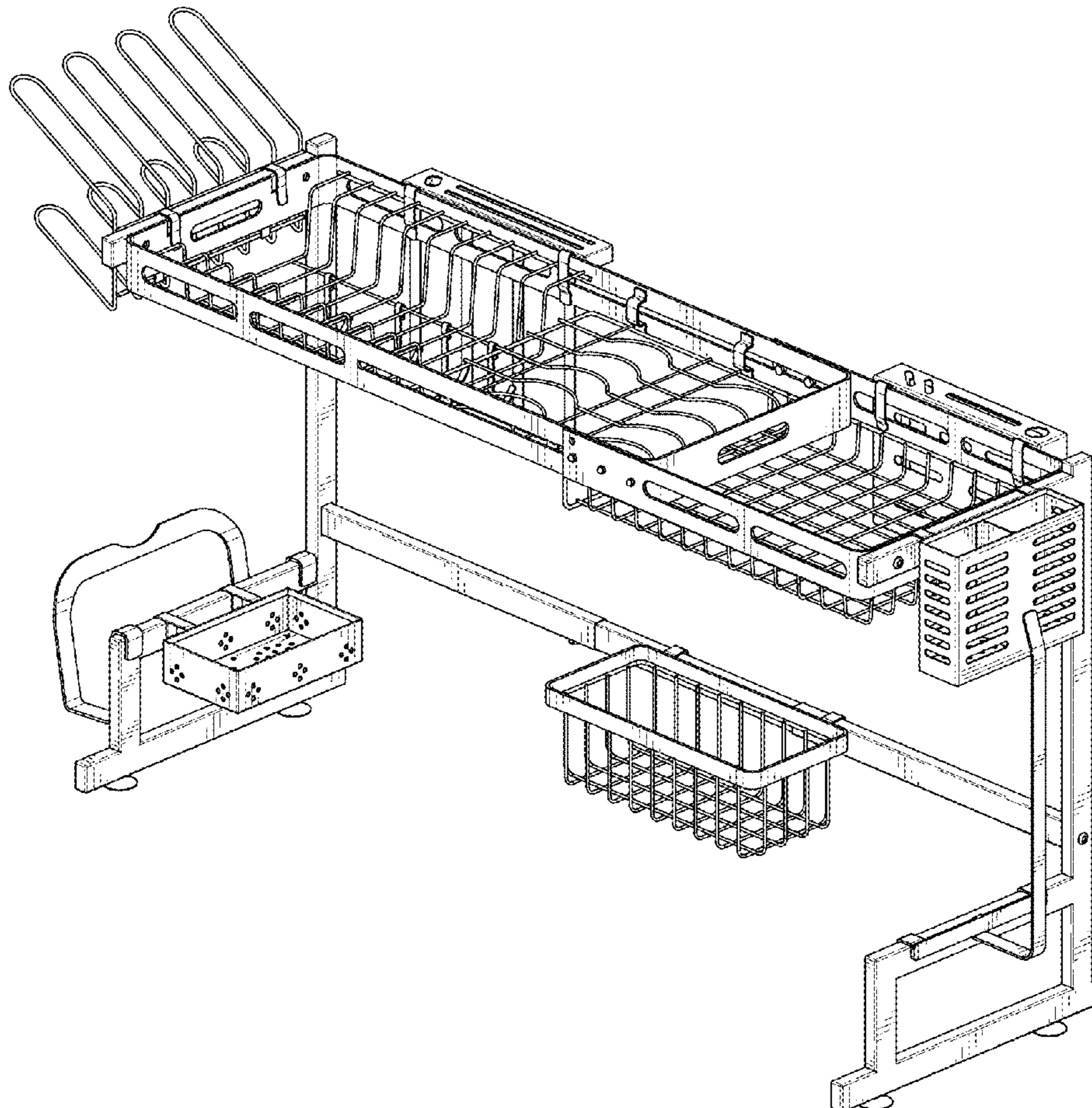
(57) **CLAIM**

The ornamental design for a dish rack, as shown and described.

DESCRIPTION

FIG. 1 is a front and top perspective view of a dish rack, showing my new design;
FIG. 2 is a rear and bottom perspective view thereof;
FIG. 3 is a front elevational view thereof;
FIG. 4 is a rear elevational view thereof;
FIG. 5 is a left side elevational view thereof;
FIG. 6 is a right side elevational view thereof;
FIG. 7 is a top plan view thereof;
FIG. 8 is a bottom plan view thereof; and,
FIG. 9 is a perspective view thereof, showing the dish rack in a shrink position.

1 Claim, 9 Drawing Sheets



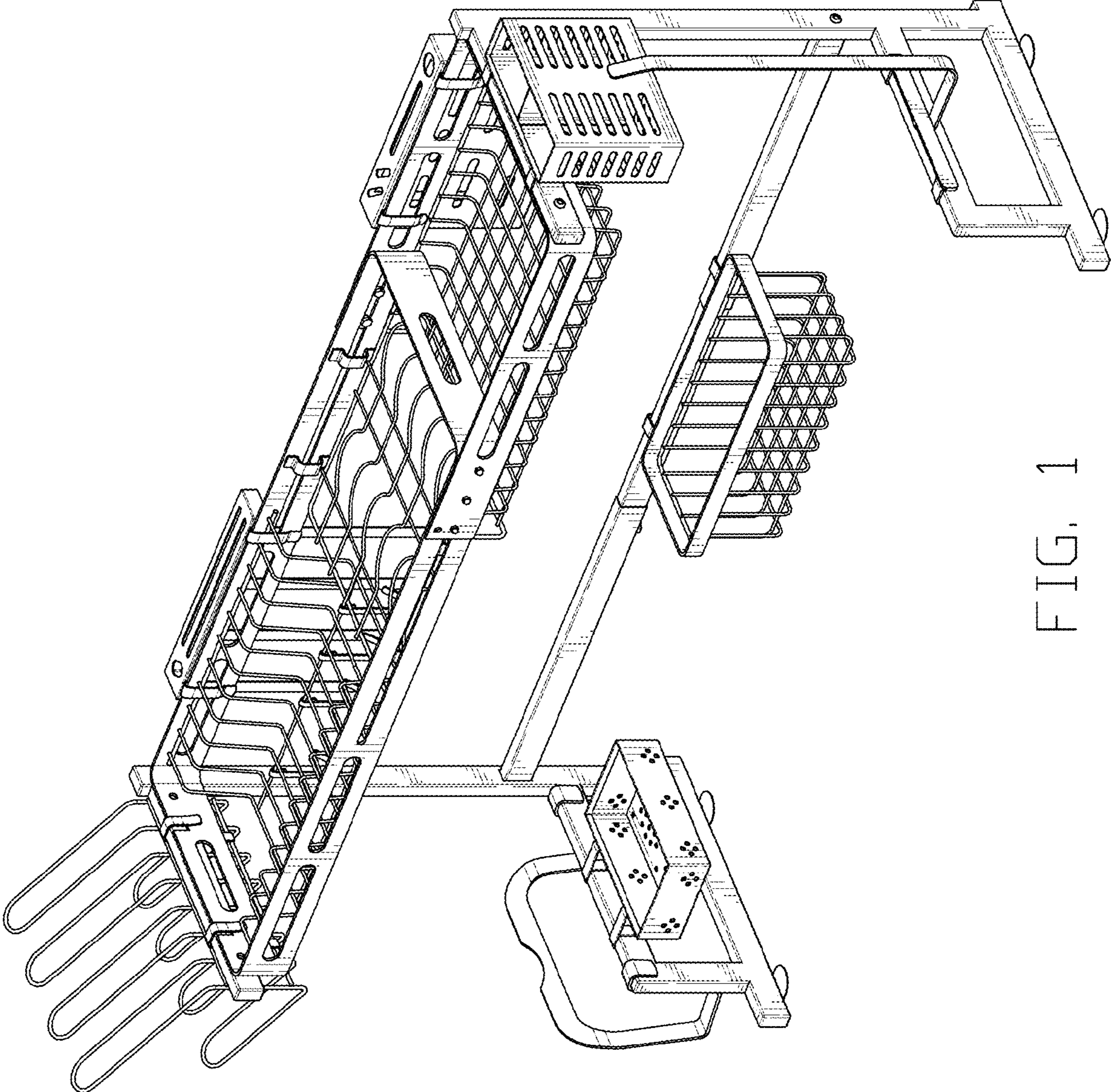


FIG. 1

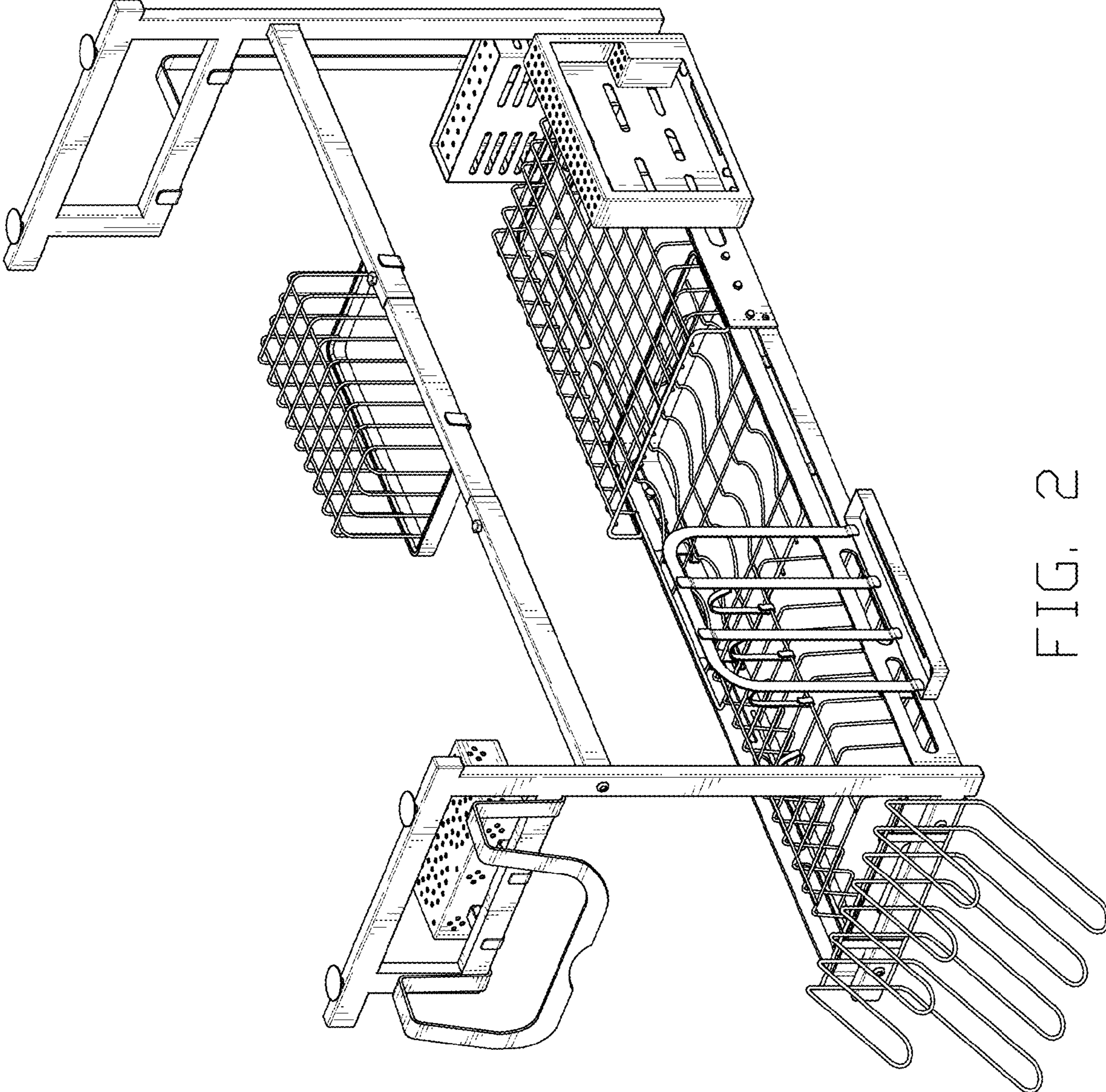


FIG. 2

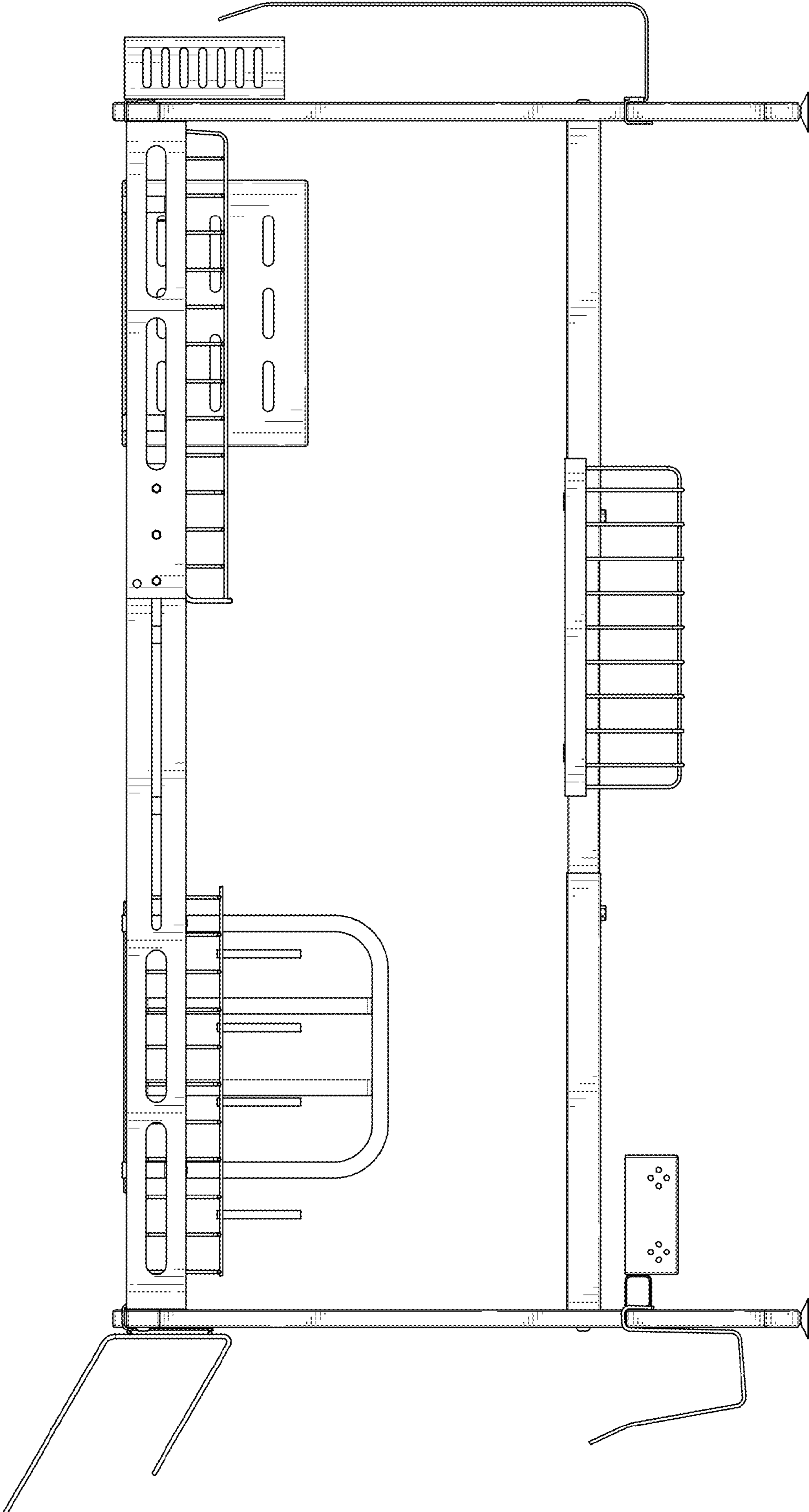


FIG. 3

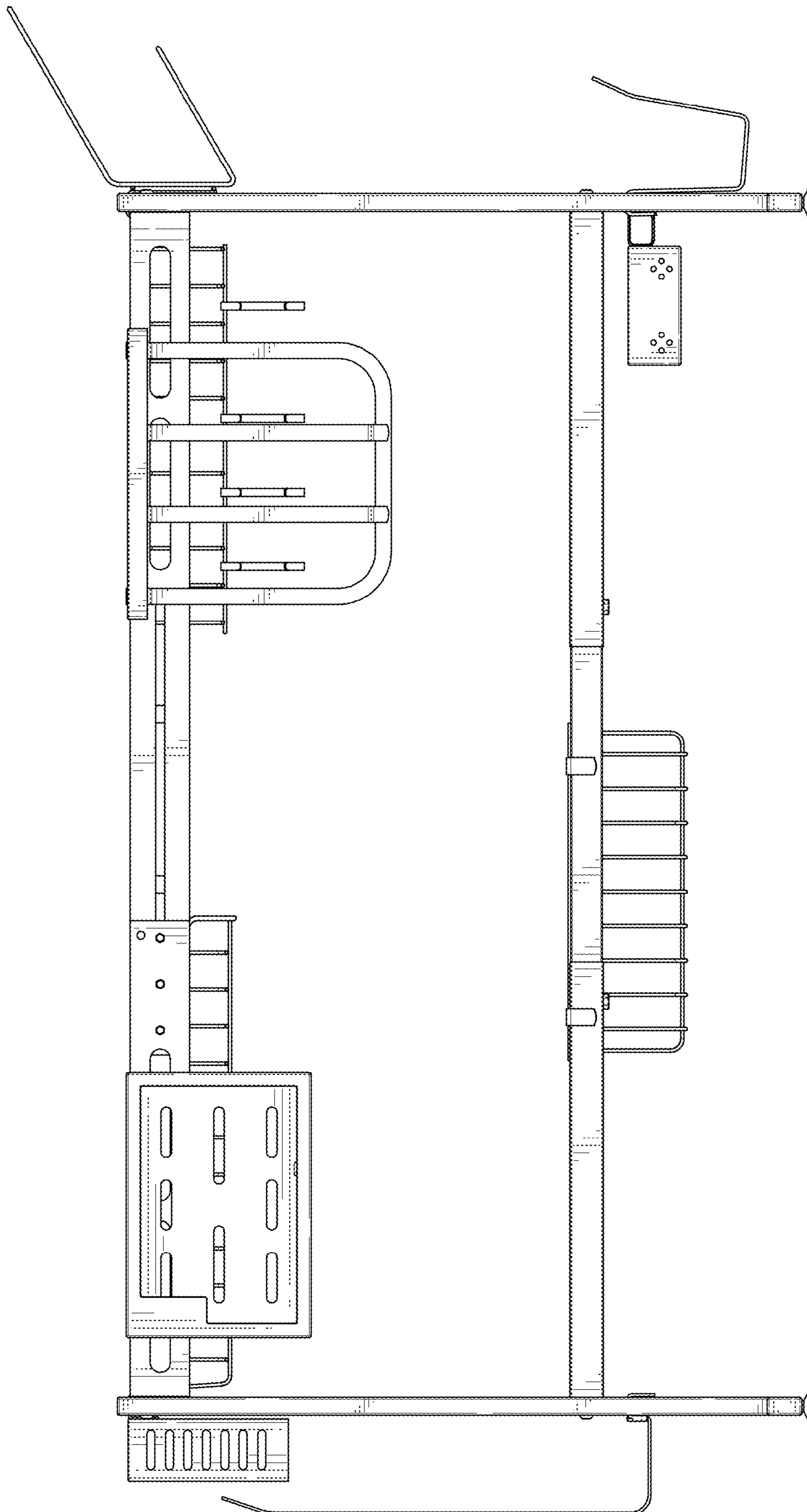


FIG. 4

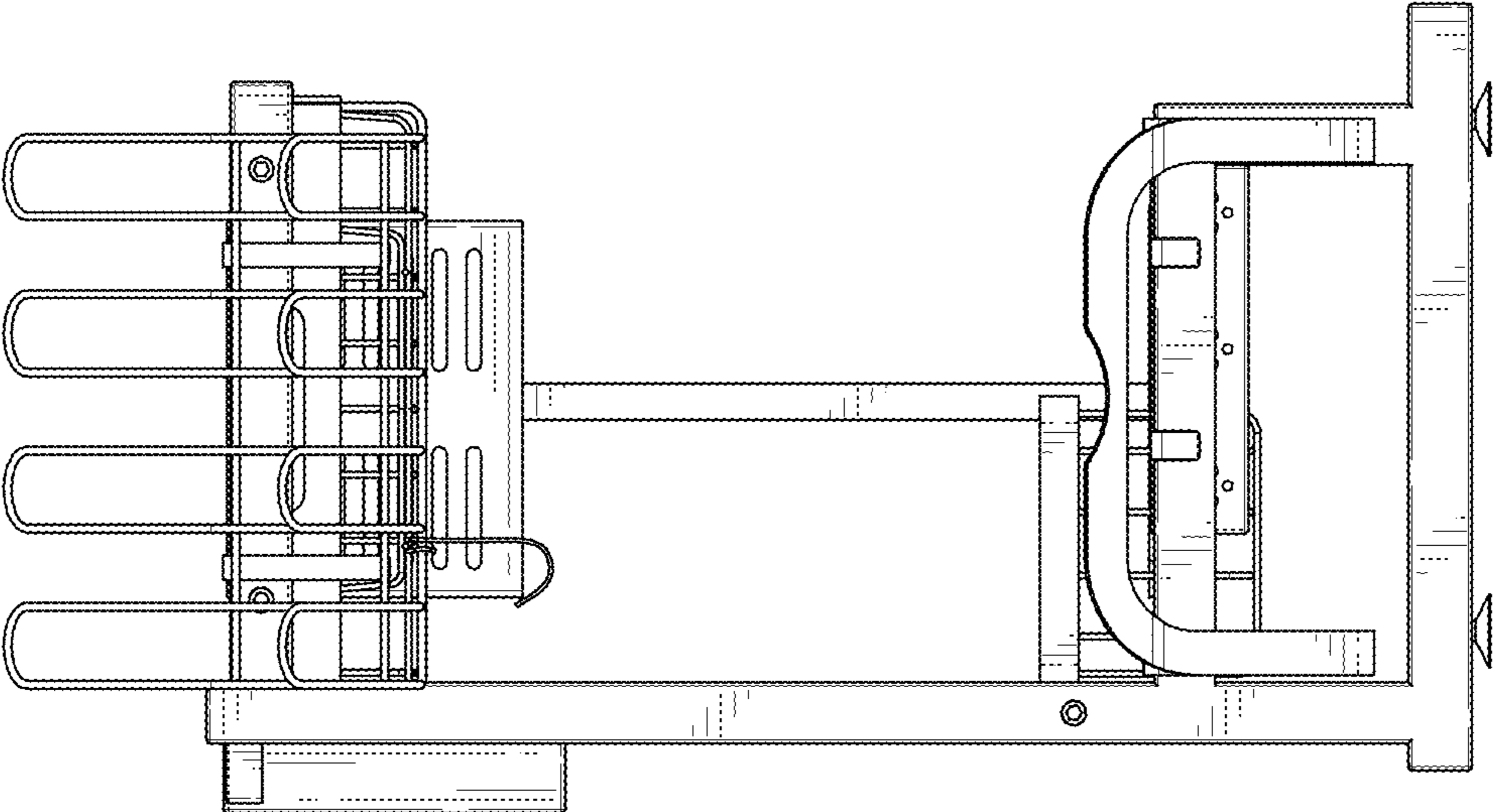


FIG. 5

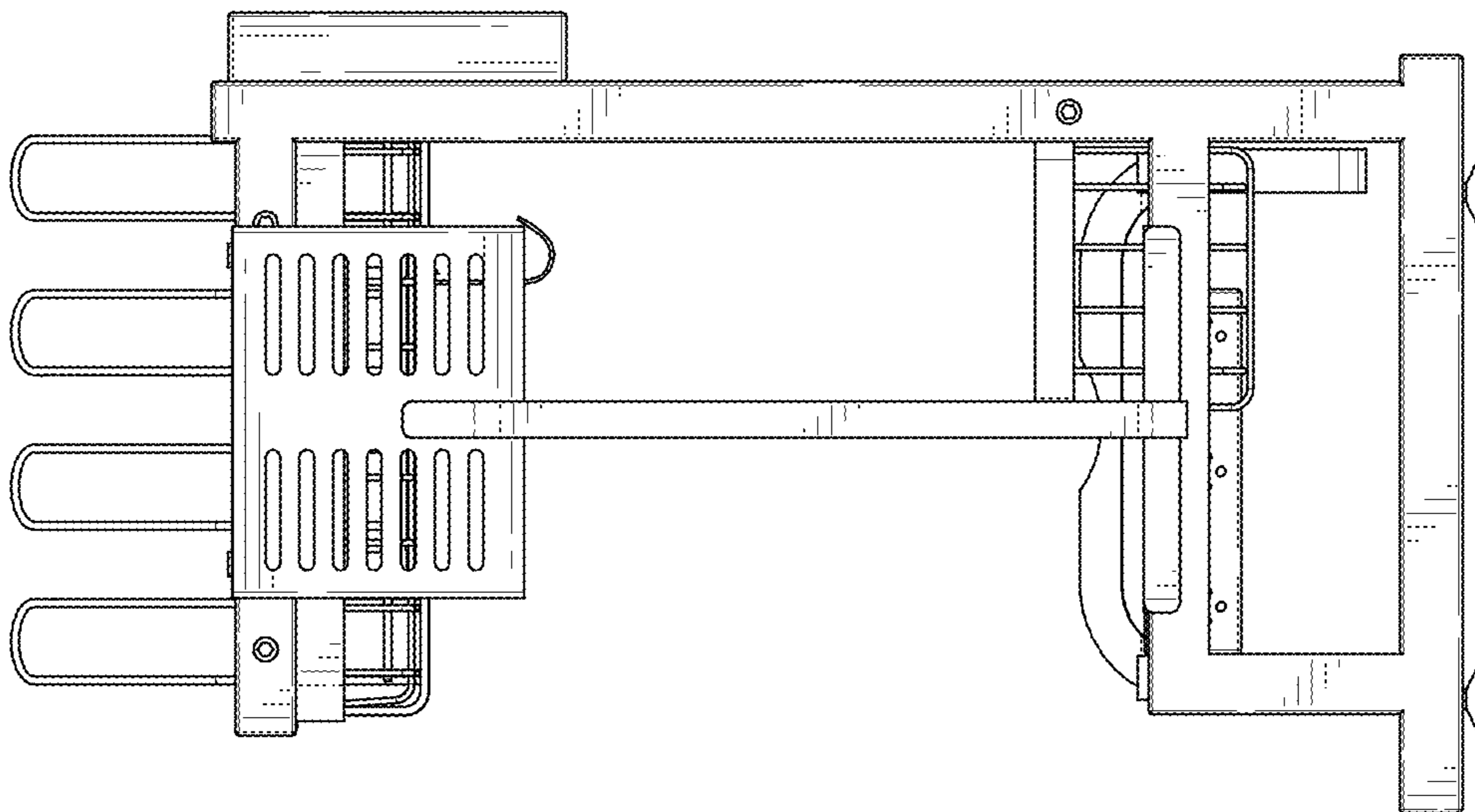


FIG. 6

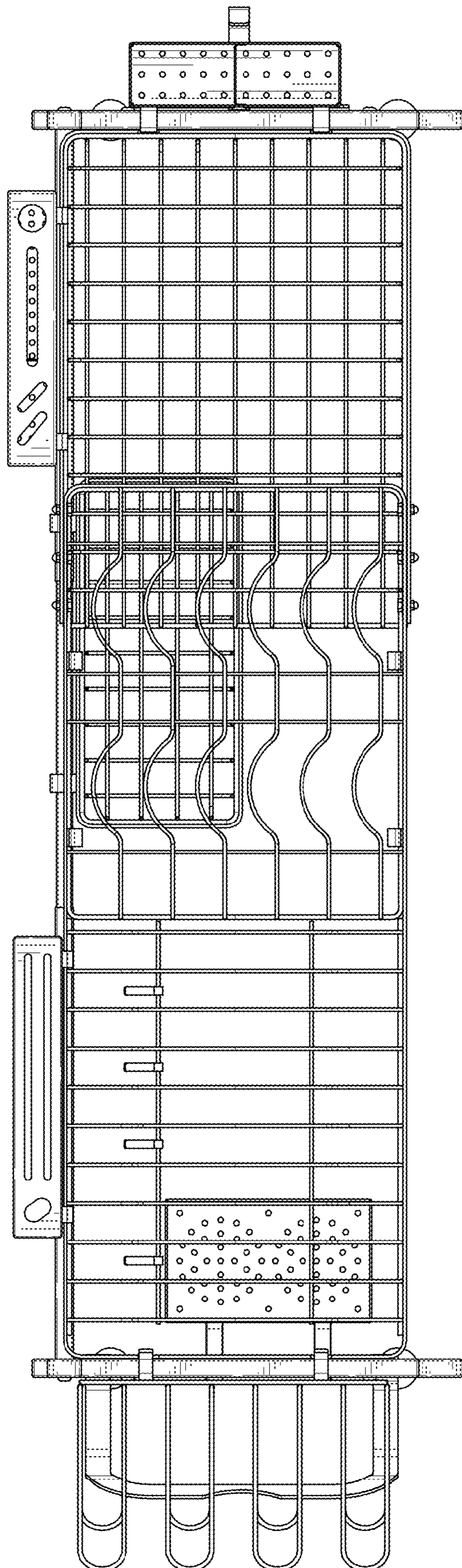


FIG. 7

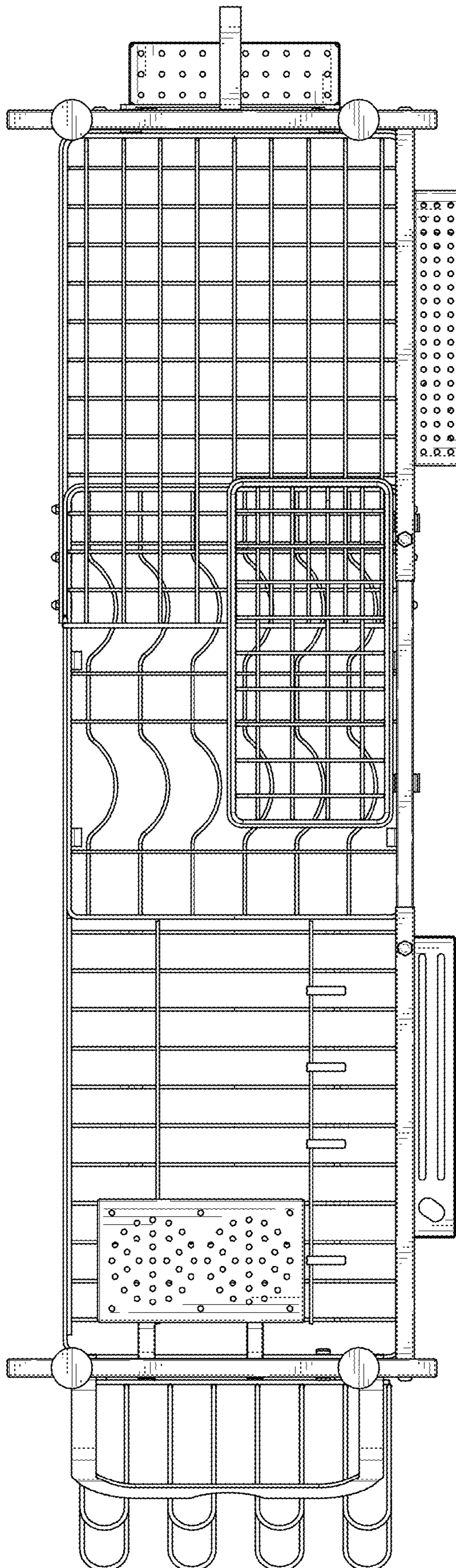


FIG. 8

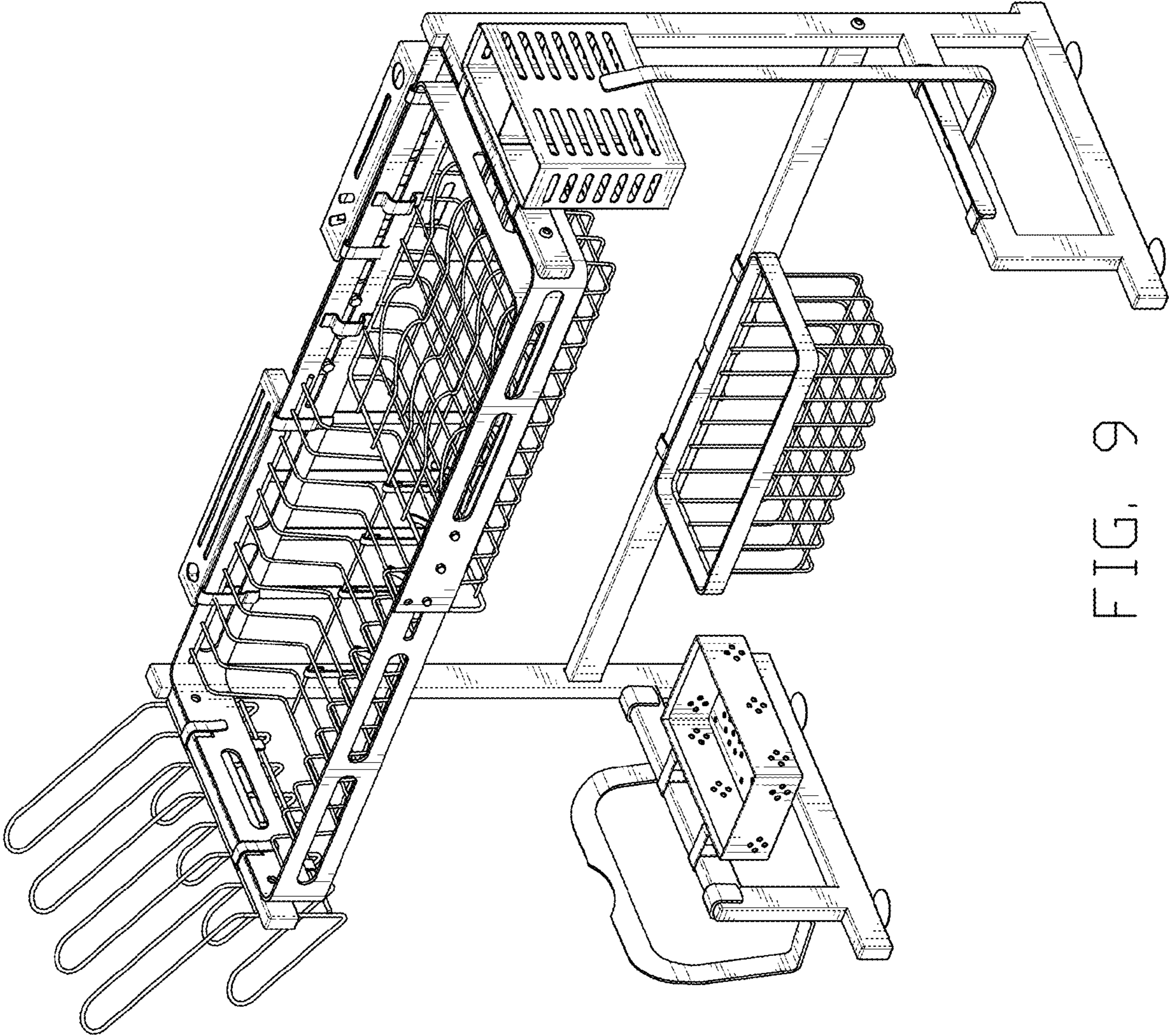


FIG. 9