



US00D921319S

(12) **United States Design Patent**
Xie

(10) **Patent No.:** **US D921,319 S**

(45) **Date of Patent:** **** Jun. 1, 2021**

(54) **DISH RACK**

(71) Applicant: **GUANGDONG PINDU INTELLIGENT TECHNOLOGY LIMITED**, Foshan (CN)

(72) Inventor: **Jiawei Xie**, Foshan (CN)

(73) Assignee: **GUANGDONG PINDU INTELLIGENT TECHNOLOGY LIMITED**, Foshan (CN)

(**) Term: **15 Years**

(21) Appl. No.: **29/730,504**

(22) Filed: **Apr. 6, 2020**

(51) **LOC (13) Cl.** **07-05**

(52) **U.S. Cl.**
USPC **D32/55**

(58) **Field of Classification Search**
USPC D32/55, 276, 3; D6/510, 525; D30/133;
211/41.5, 41.4, 41.3, 41.8; 361/679.4;
312/311, 333, 334.4; D7/354, 629
CPC A47J 47/20; A47J 2201/00; A47J 47/00;
B65D 35/02; B65D 35/22; B65D 35/56
See application file for complete search history.

(56) **References Cited**

U.S. PATENT DOCUMENTS

D647,678 S	*	10/2011	Yang	D32/55
D693,081 S	*	11/2013	Yang	D32/55
D699,413 S	*	2/2014	Huang	D32/55
D706,510 S	*	6/2014	Lerner	D32/55
D776,385 S	*	1/2017	Evans	D32/55

D776,387 S	*	1/2017	Chen	D32/56
D783,216 S	*	4/2017	Huang	D32/55
D799,133 S	*	10/2017	Wong	D32/55
D819,289 S	*	5/2018	Umholtz	D32/55
D820,543 S	*	6/2018	Huang	D32/55
D851,850 S	*	6/2019	Baquedo-Phinn	D32/55
D874,775 S	*	2/2020	Xie	D32/55
D887,098 S	*	6/2020	Li	D32/55

* cited by examiner

Primary Examiner — Austin Murphy

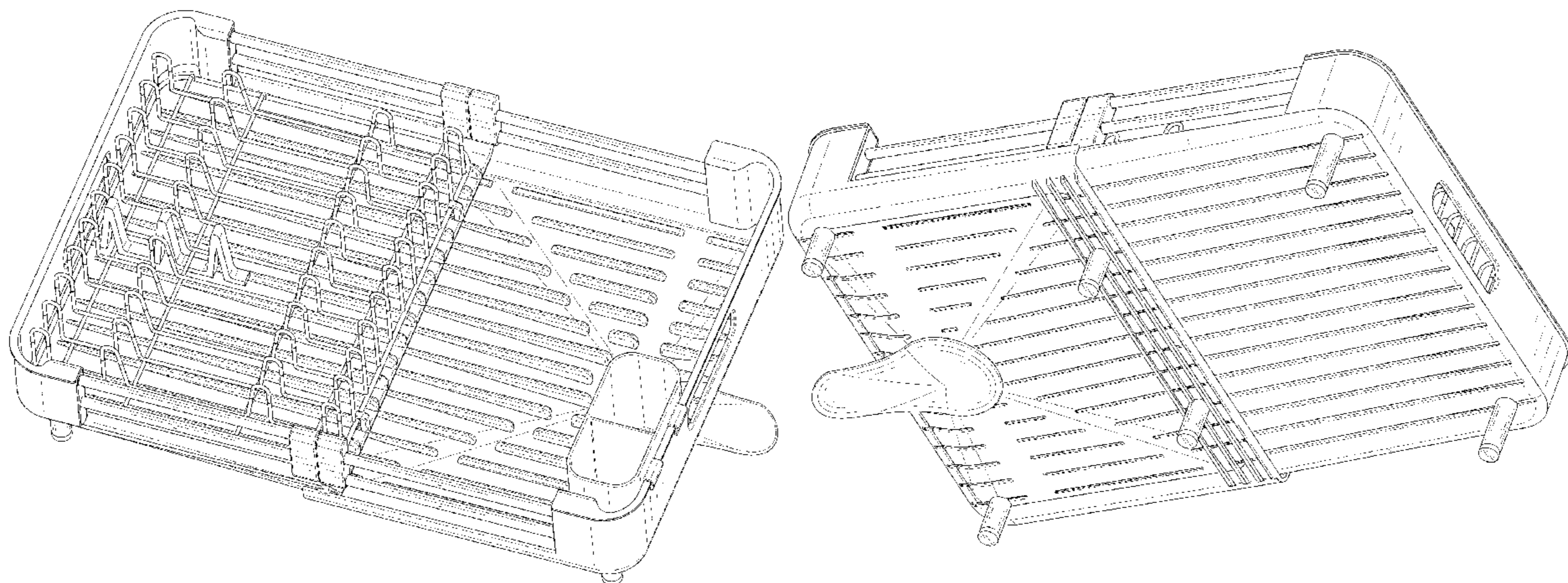
(57) **CLAIM**

The ornamental design for a dish rack, as shown and described.

DESCRIPTION

FIG. 1 is a perspective view of a dish rack showing my new design;
FIG. 2 is another perspective view thereof;
FIG. 3 is a front elevational view thereof;
FIG. 4 is a rear elevational view thereof;
FIG. 5 is a left side elevational view thereof;
FIG. 6 is a right side elevational view thereof;
FIG. 7 is a top plan view thereof;
FIG. 8 is a bottom plan view thereof;
FIG. 9 is a perspective view of the dish rack where the dish rack is in a configuration of use; and,
FIG. 10 is another perspective view thereof.
The broken lines in the drawings depict boundaries of the dish rack that form no part of the claimed design.

1 Claim, 10 Drawing Sheets



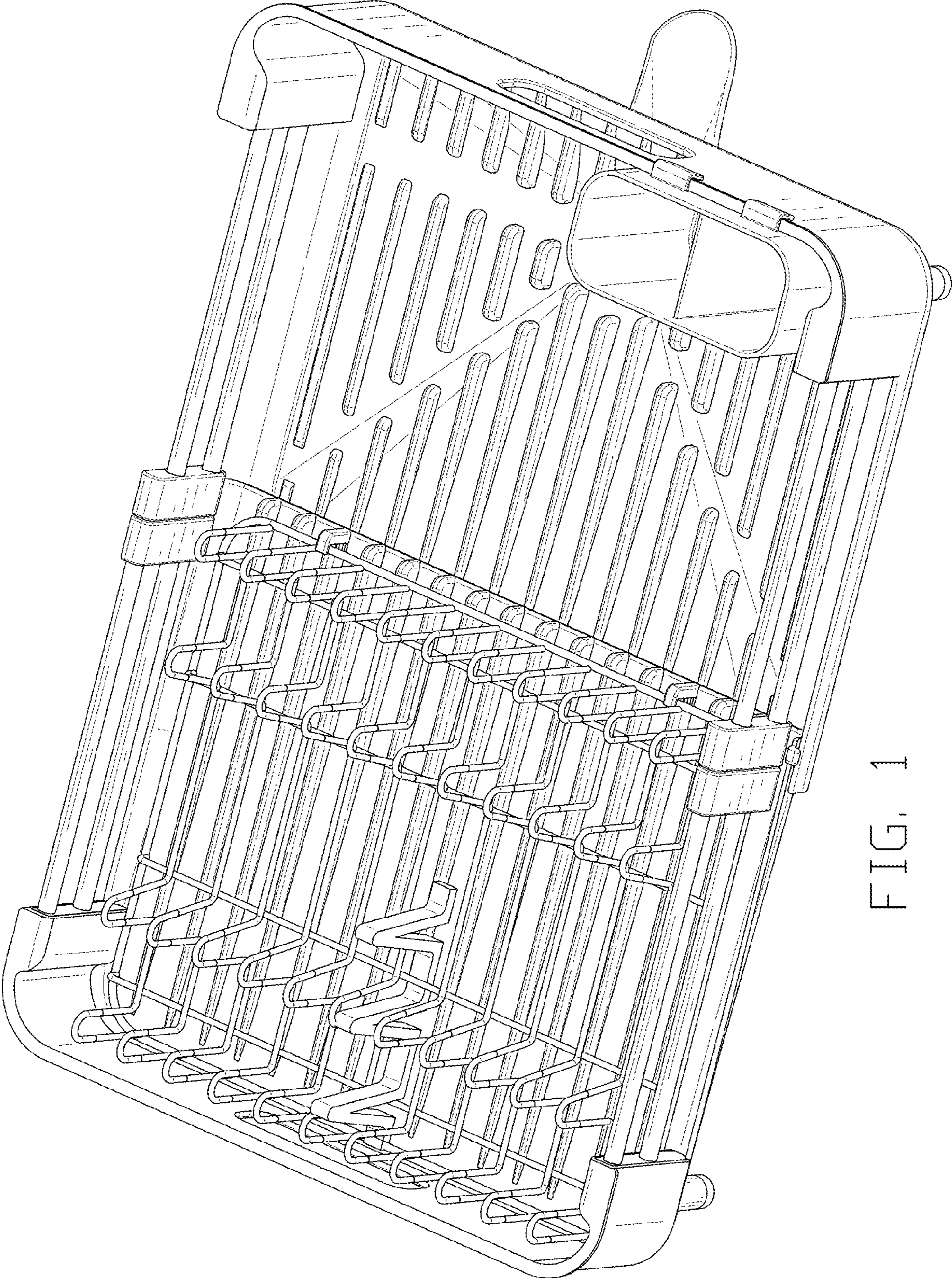


FIG. 1

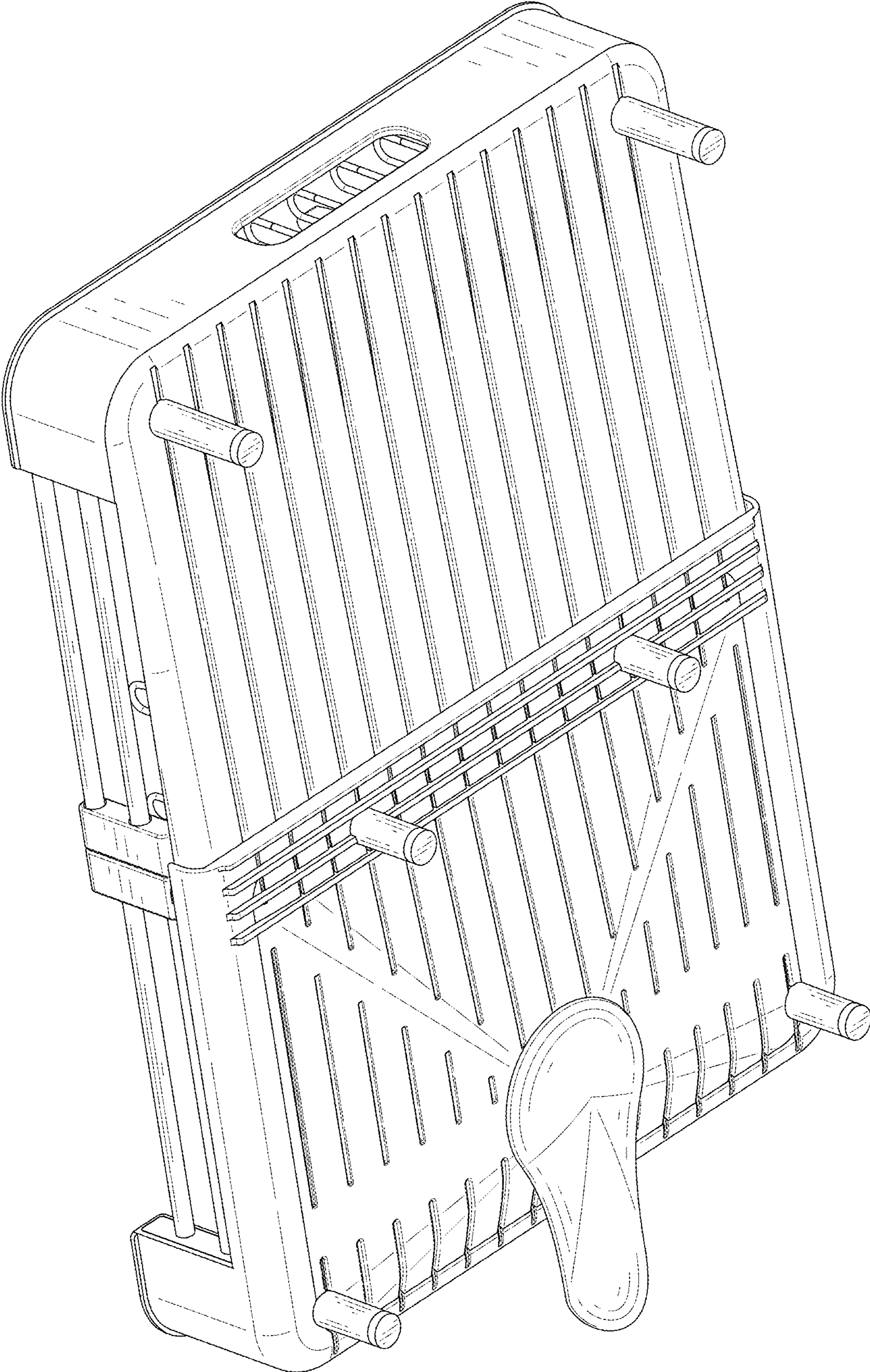


FIG. 2

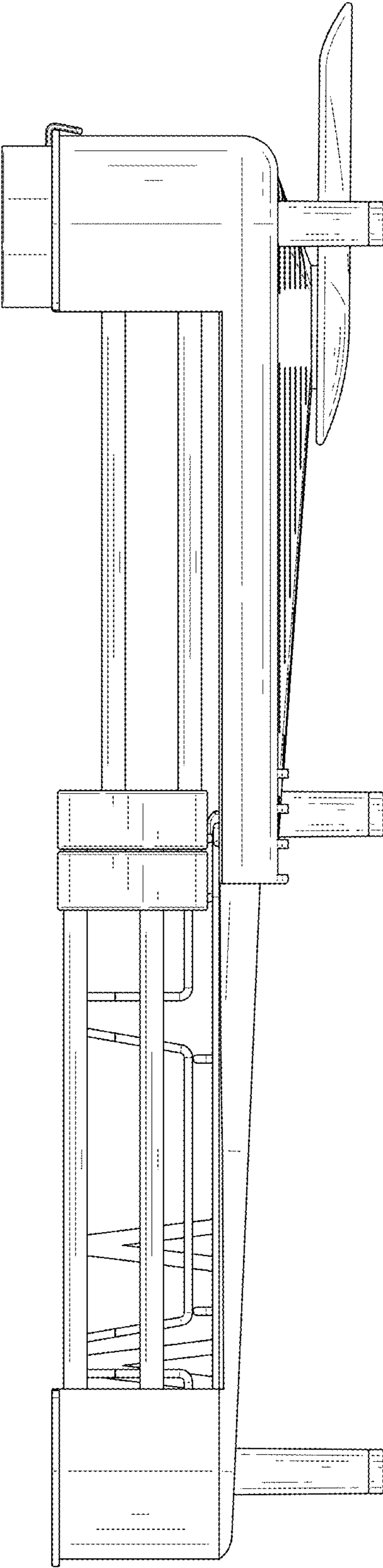


FIG. 3

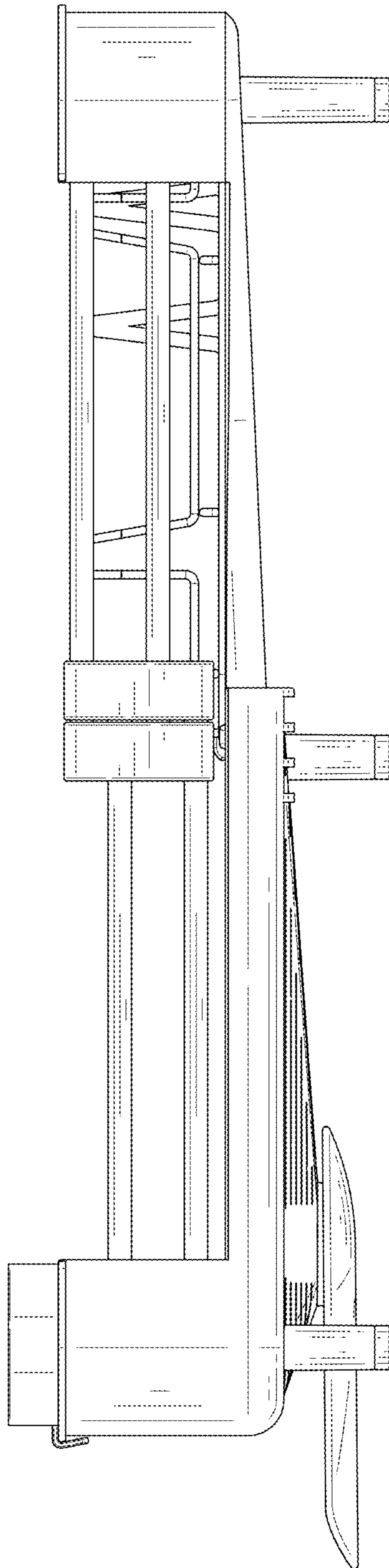


FIG. 4

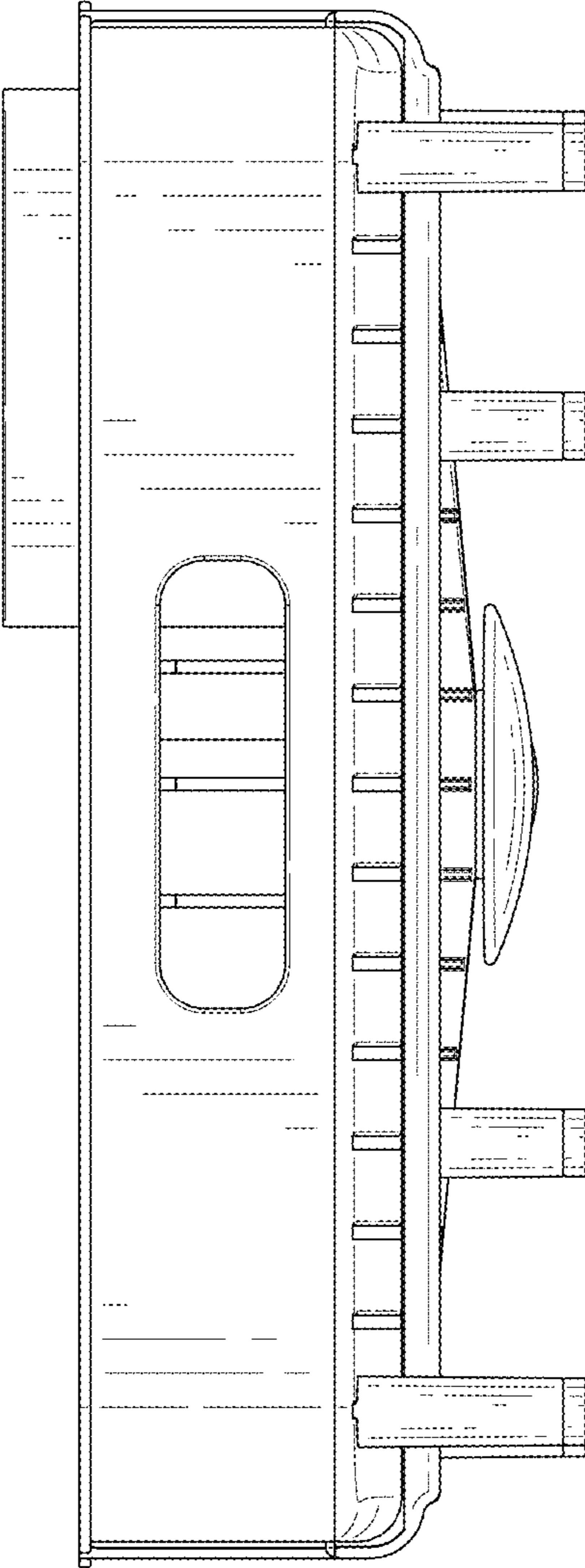


FIG. 5

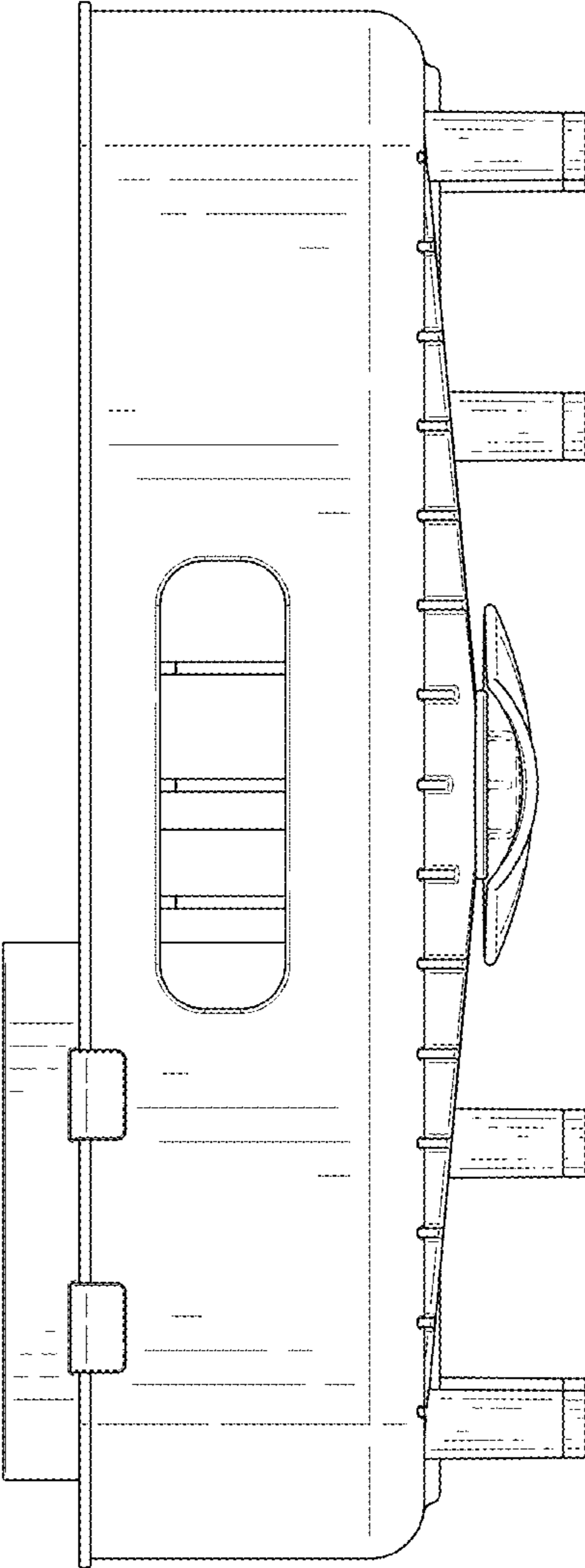


FIG. 6

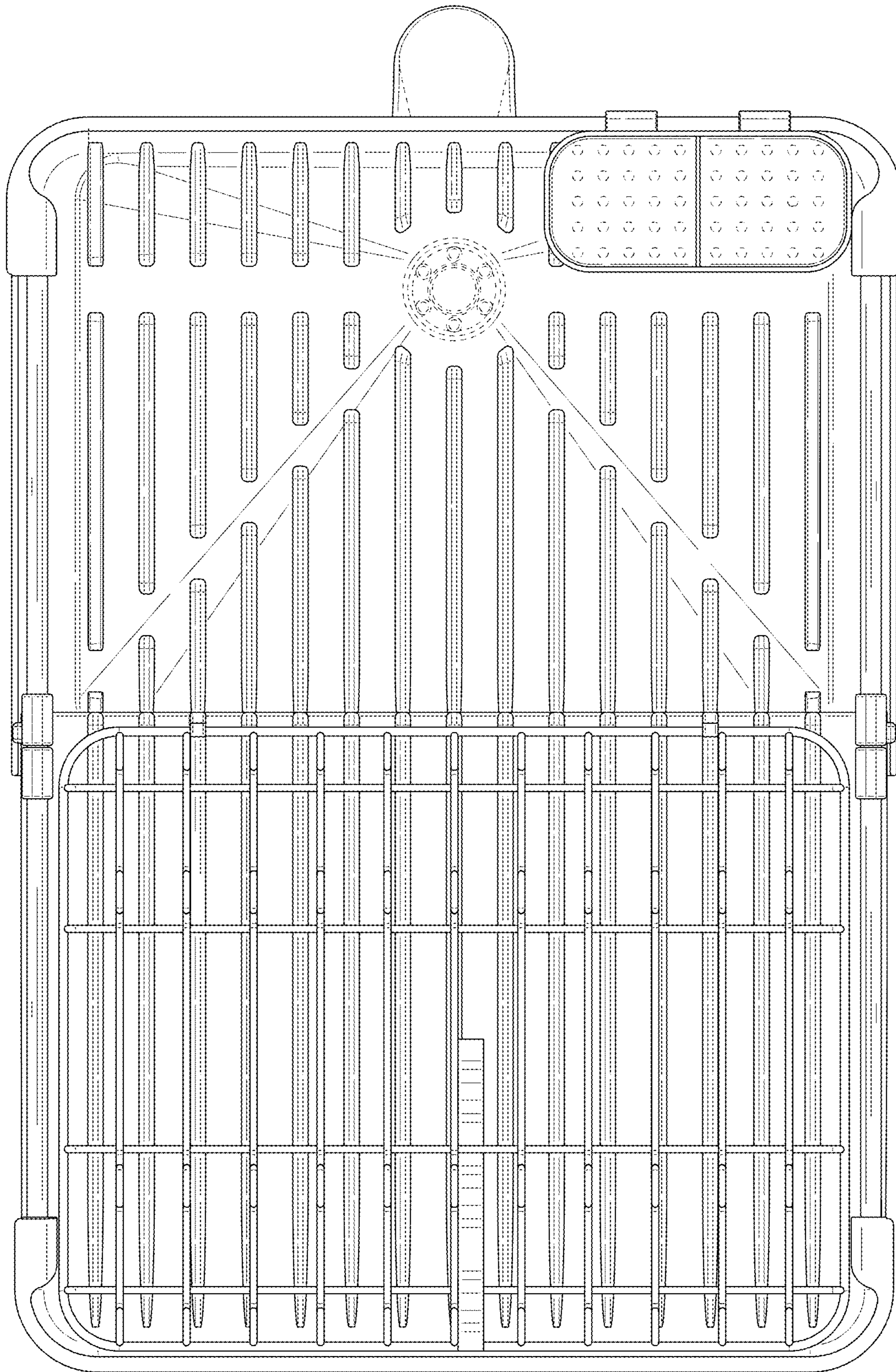


FIG. 7

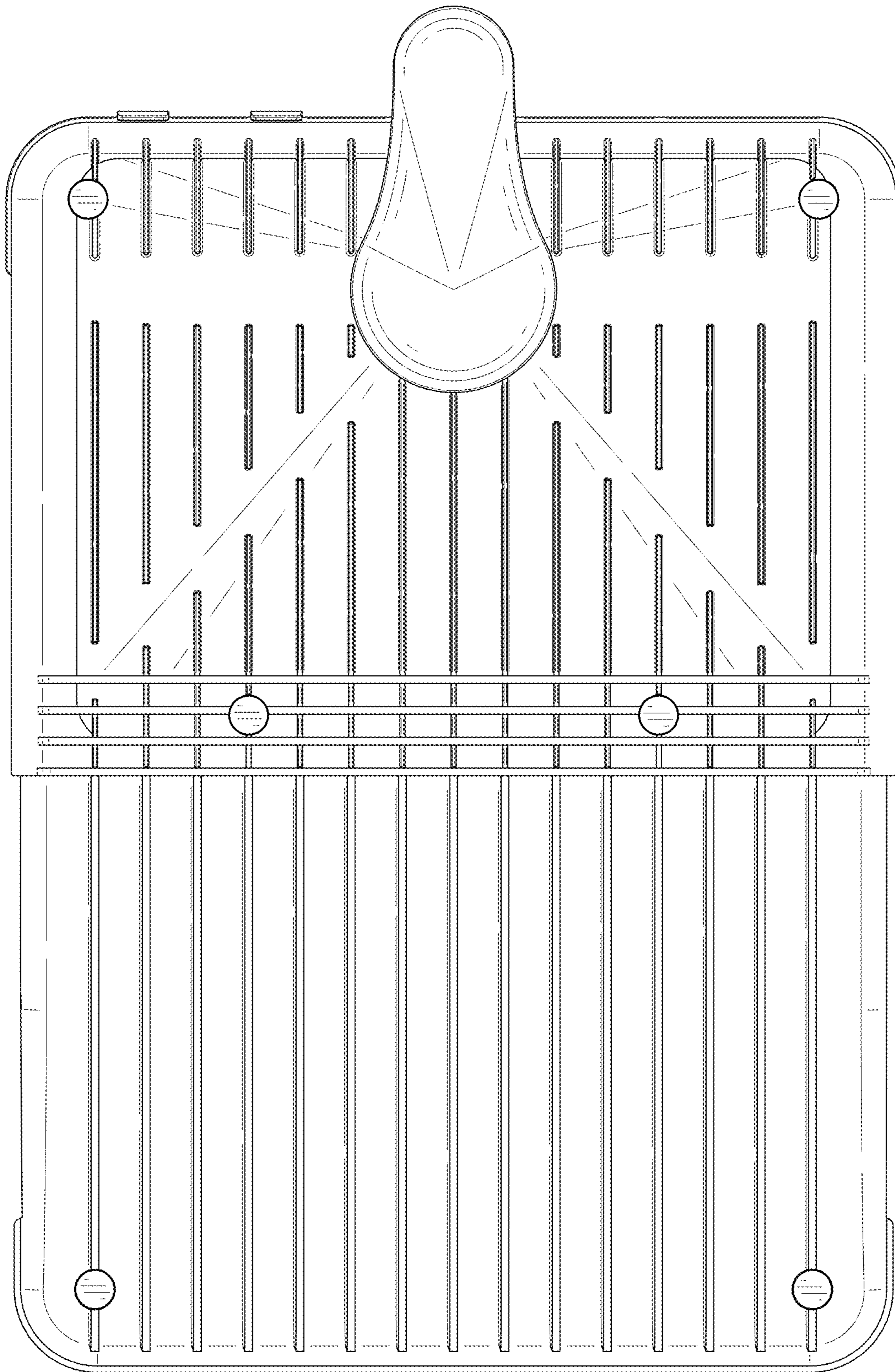


FIG. 8

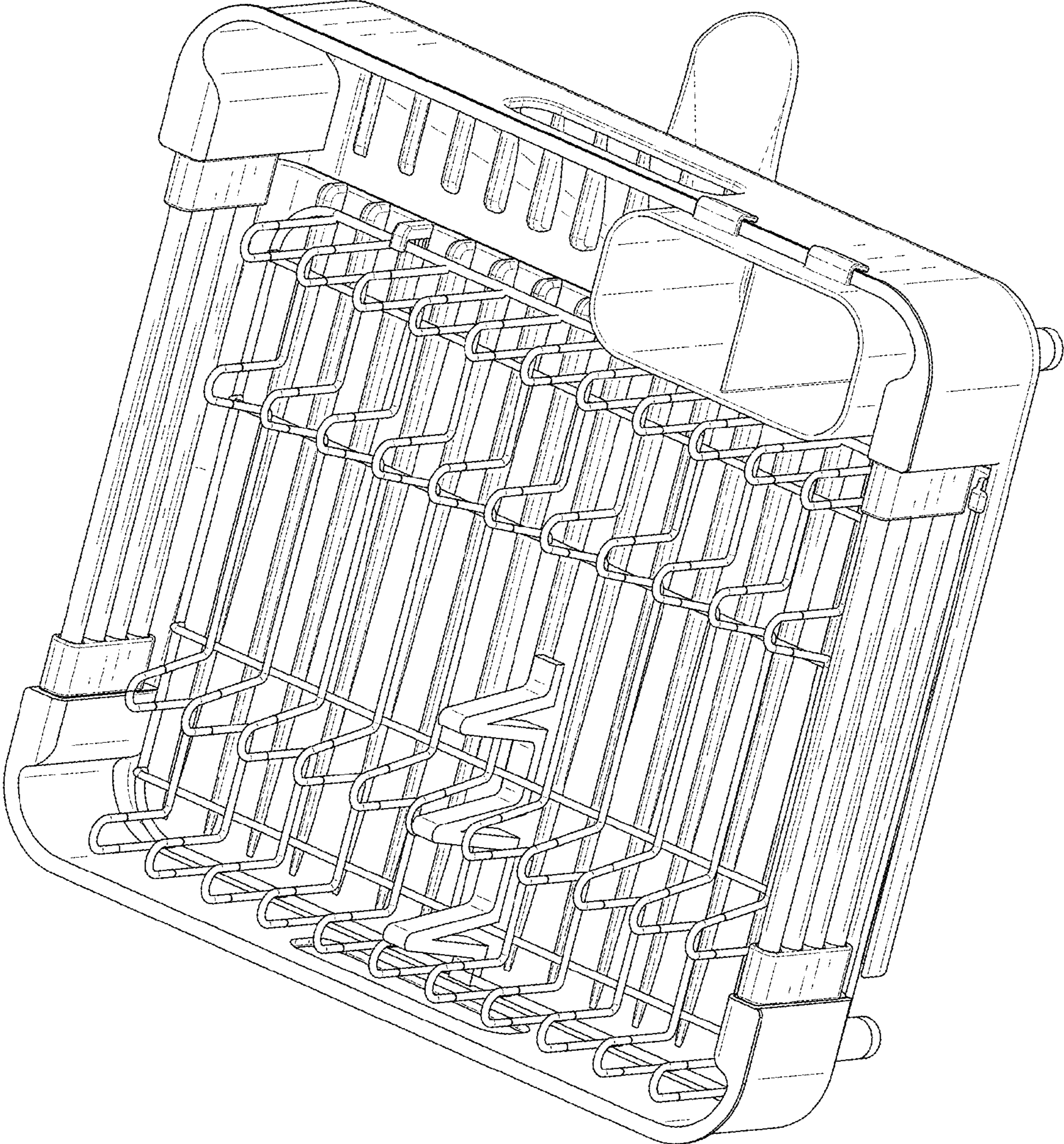


FIG. 9

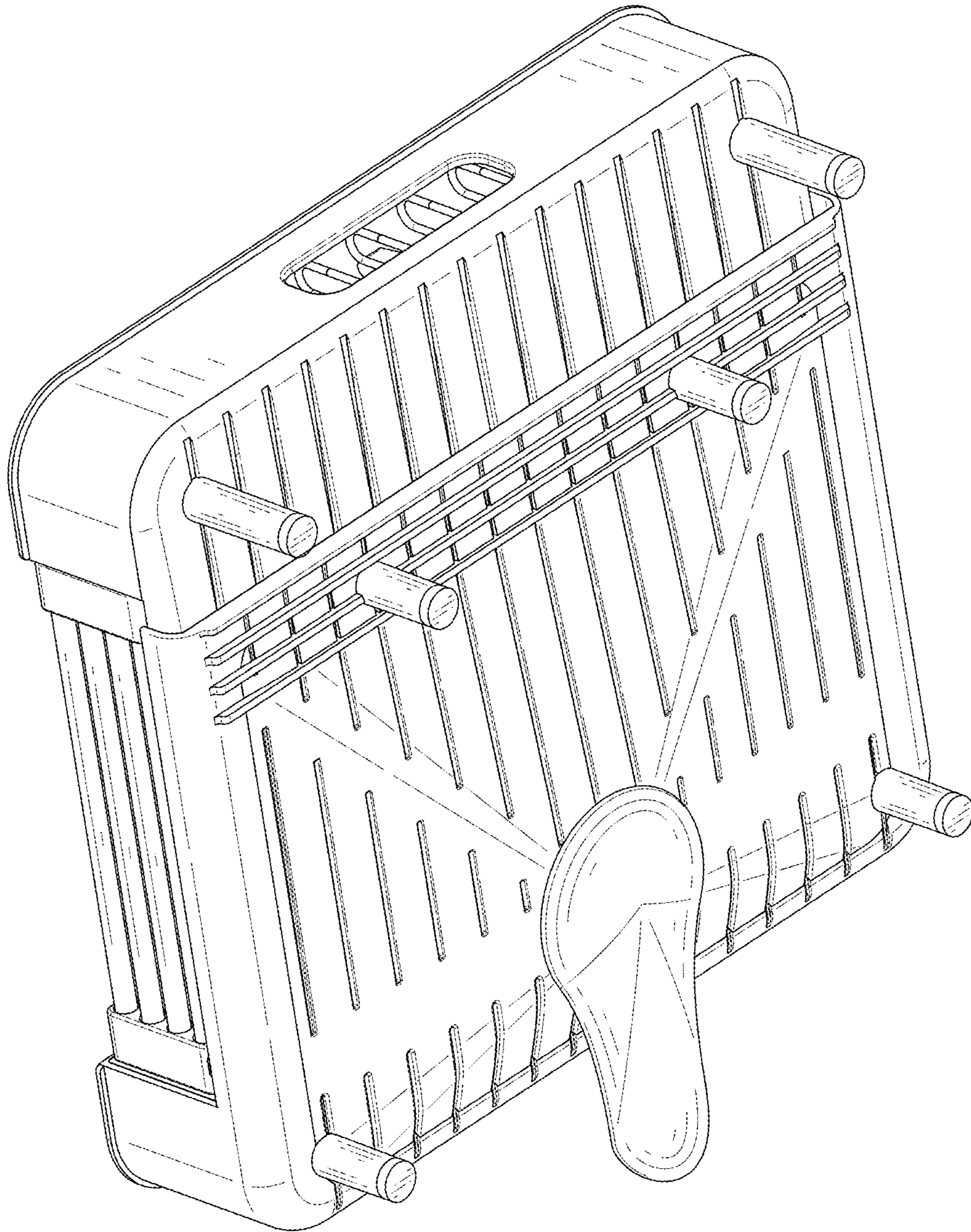


FIG. 10