



US00D921317S

(12) **United States Design Patent**  
**Wood**

(10) **Patent No.:** **US D921,317 S**

(45) **Date of Patent:** **\*\* Jun. 1, 2021**

(54) **DRYING RACK FOR BABY BOTTLES AND OTHER ITEMS**

(71) Applicant: **Zak Wood**, Santa Monica, CA (US)

(72) Inventor: **Zak Wood**, Santa Monica, CA (US)

(\*\*) Term: **15 Years**

(21) Appl. No.: **29/722,635**

(22) Filed: **Jan. 31, 2020**

(51) **LOC (13) Cl.** ..... **07-05**

(52) **U.S. Cl.**  
USPC ..... **D32/55; D32/58**

(58) **Field of Classification Search**  
USPC ..... D32/585, 276, 3; D6/510, 525;  
D30/133; 211/41.5, 14.4, 41.3, 41.8;  
312/311, 333, 334.4; D7/354, 629  
CPC .. A47L 15/505; A47L 15/503; A47L 15/0013;  
A47L 19/02; A47L 19/04; A47J 47/20  
See application file for complete search history.

(56) **References Cited**

**U.S. PATENT DOCUMENTS**

D252,251 S	7/1979	Lundahl	
D322,343 S	12/1991	Pearcy	
D369,002 S *	4/1996	Pratt	D32/55
D449,414 S *	10/2001	James	D32/55
D465,891 S *	11/2002	Brown	D32/55

D532,948 S *	11/2006	Gillisie	D32/55
D634,909 S *	3/2011	Guthrie	D32/55
D690,483 S *	9/2013	Renz	D32/55
D706,009 S *	5/2014	Cooper	D32/55
D714,509 S *	9/2014	Thomas	D32/55
D858,021 S	8/2019	Li	
D896,458 S *	9/2020	Han	D32/55

\* cited by examiner

*Primary Examiner* — Austin Murphy

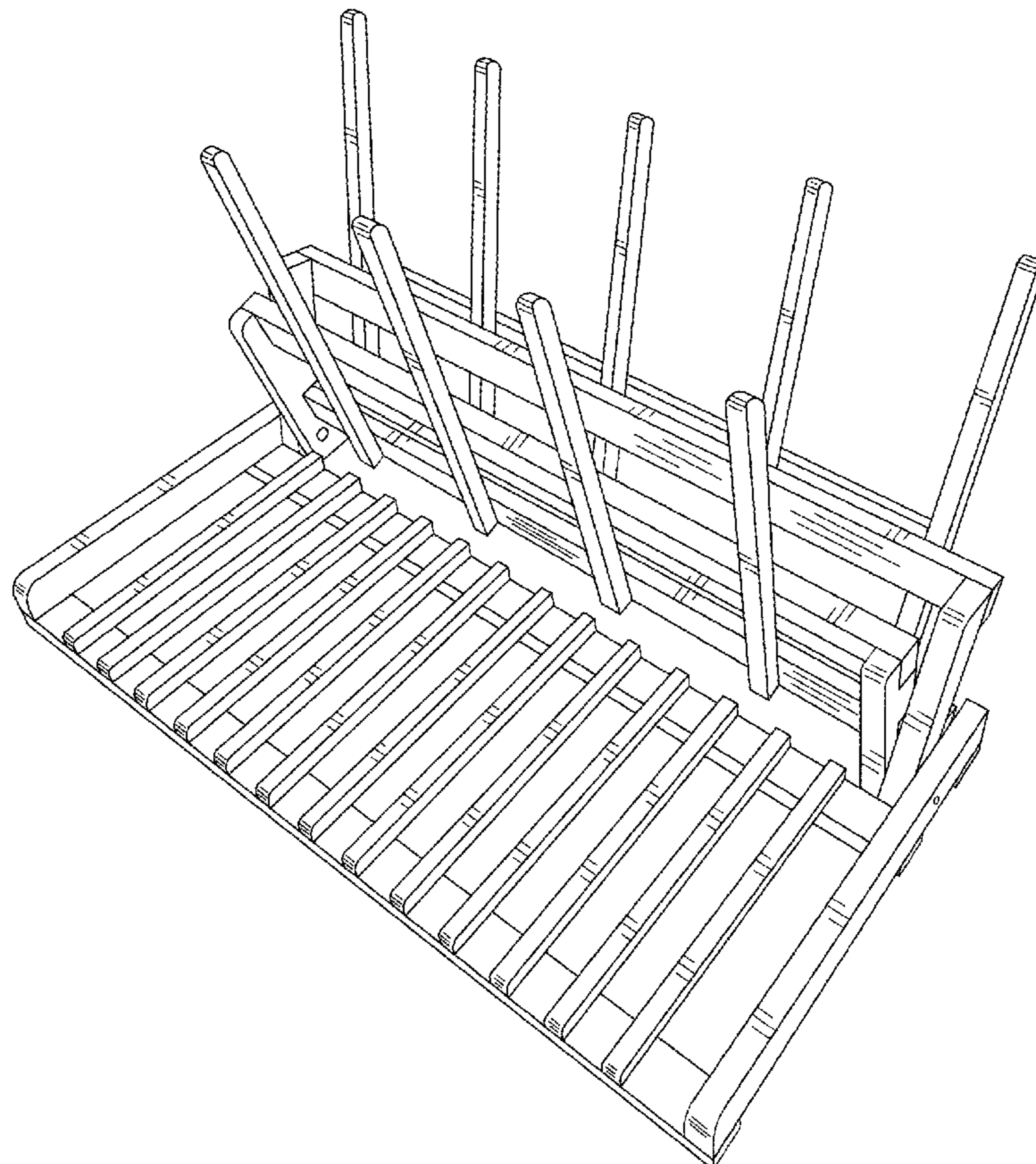
(57) **CLAIM**

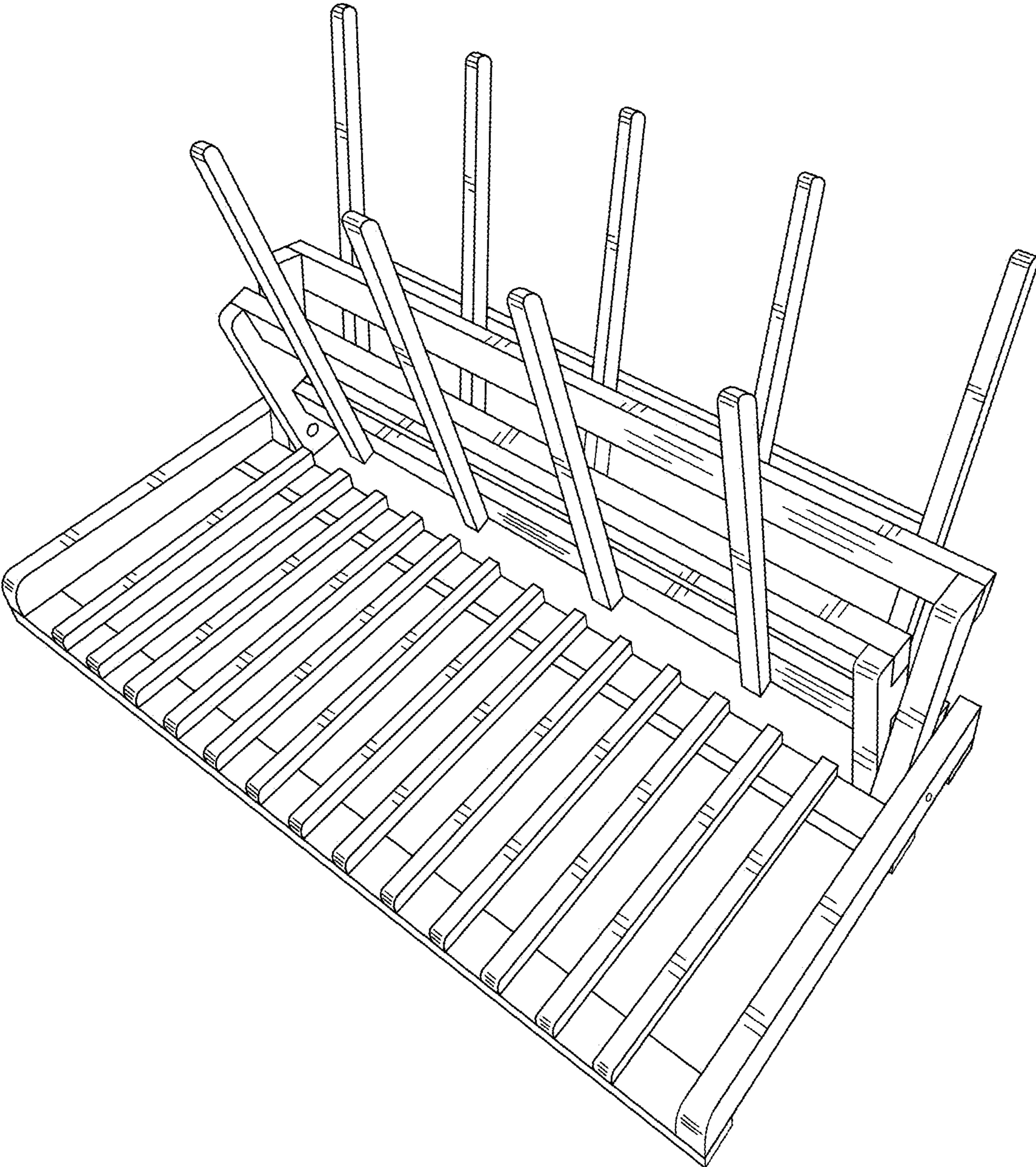
I claim the ornamental design for a drying rack for baby bottles and other items, as shown and described.

**DESCRIPTION**

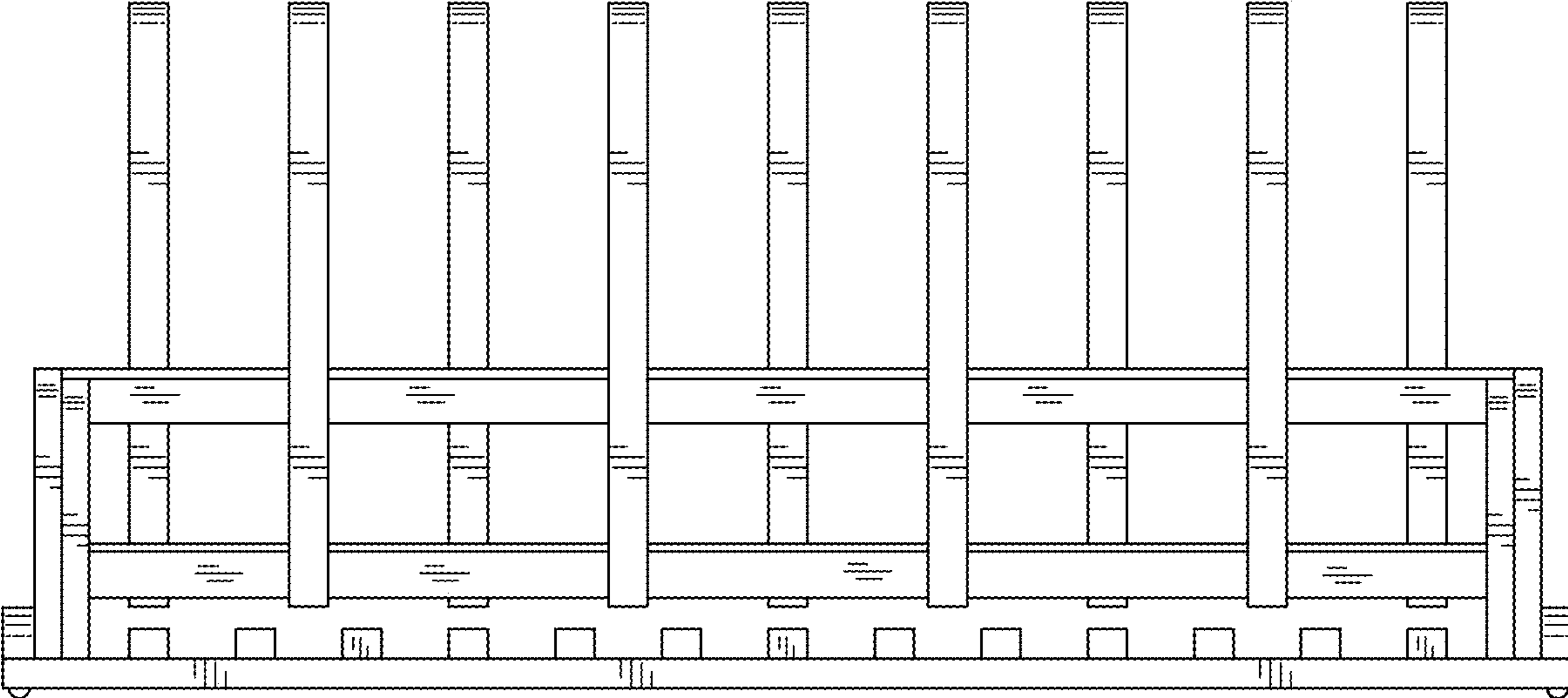
FIG. 1 is a perspective view of a drying rack for baby bottles and other items, showing my new design;  
FIG. 2 is a front elevational view thereof;  
FIG. 3 is a rear elevational view thereof;  
FIG. 4 is a left end elevational view thereof;  
FIG. 5 is a right end elevational view thereof;  
FIG. 6 is a top plan view thereof;  
FIG. 7 is a bottom plan view thereof;  
FIG. 8 is a perspective view of thereof in a folded condition; and,  
FIG. 9 is a perspective view thereof in use, the dashed lines illustrating environmental structure that forms no part of the design.

**1 Claim, 6 Drawing Sheets**

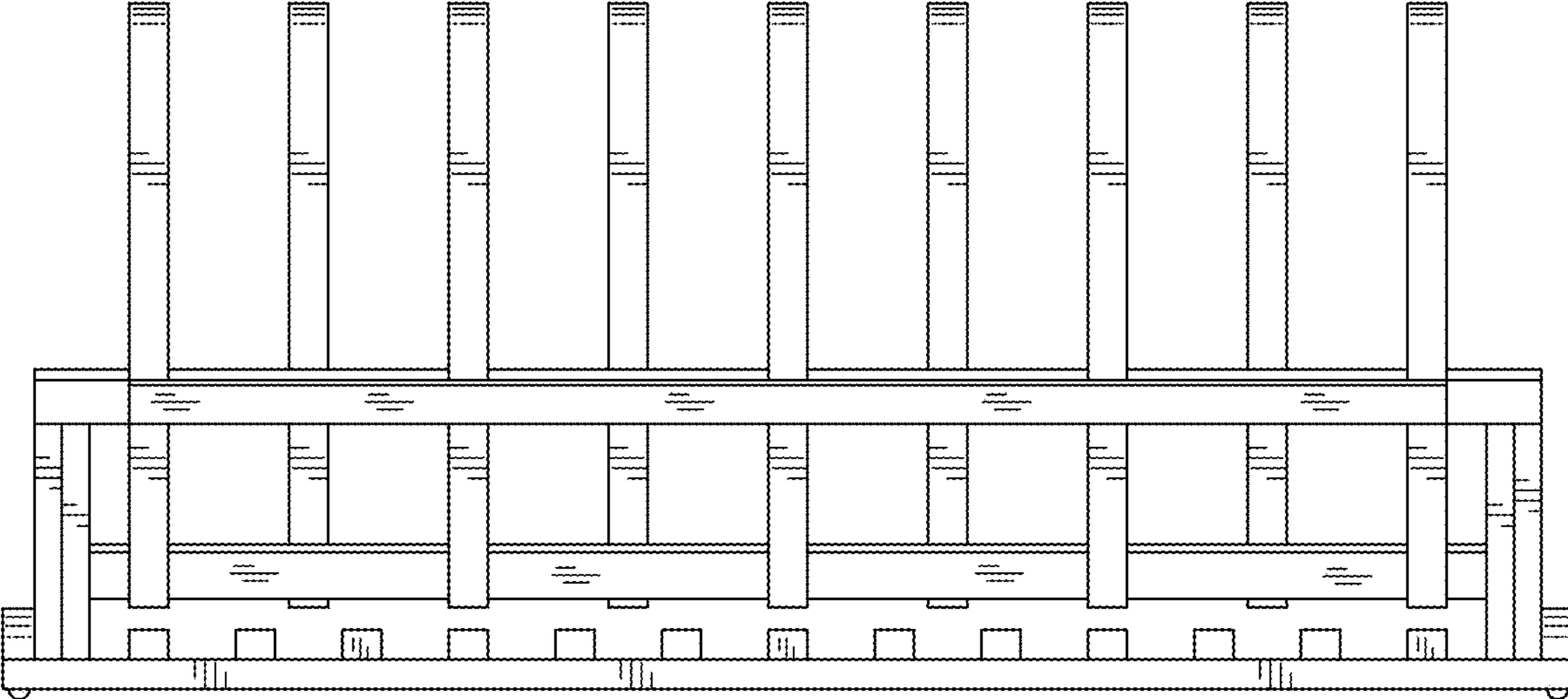




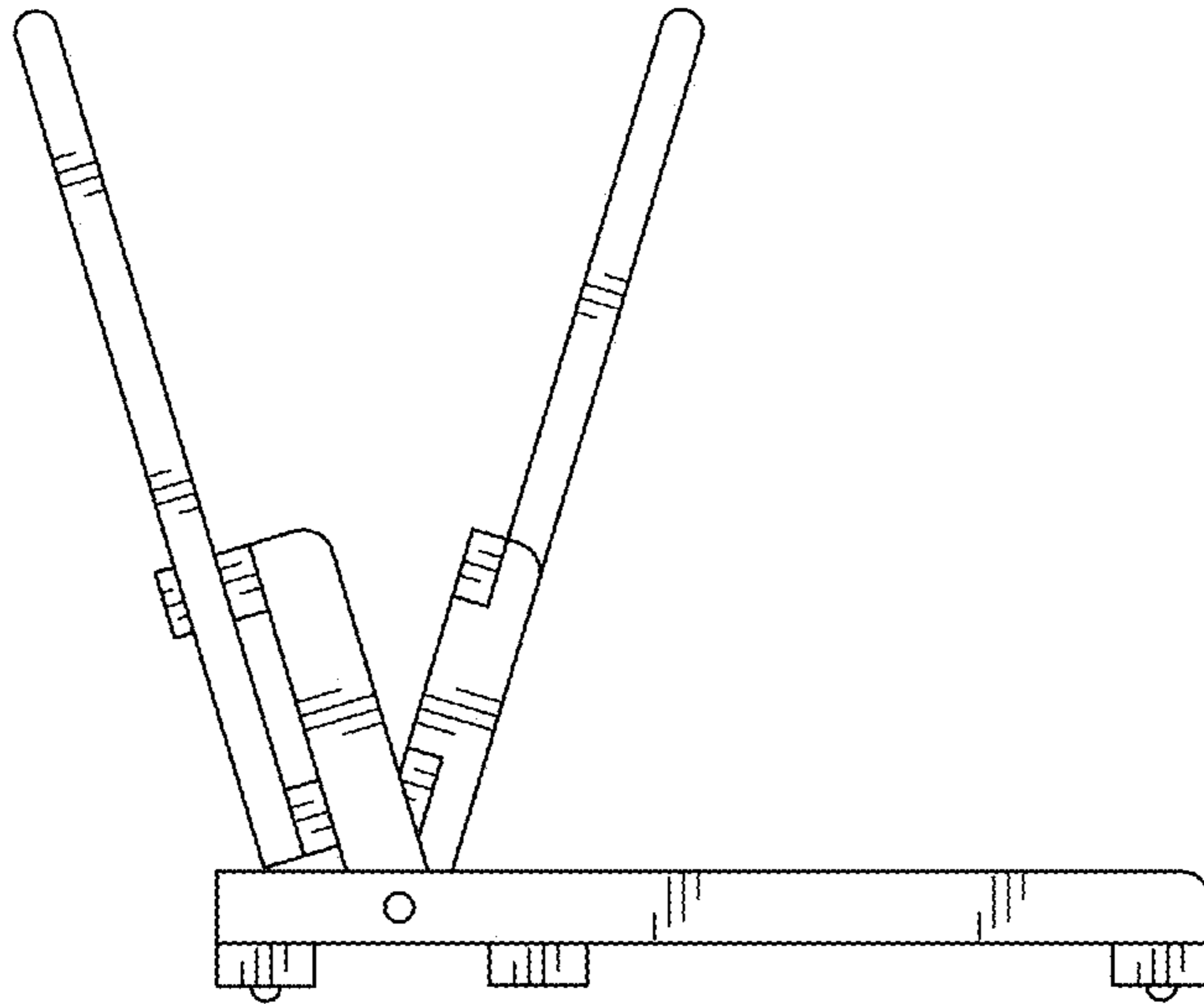
**FIG. 1**



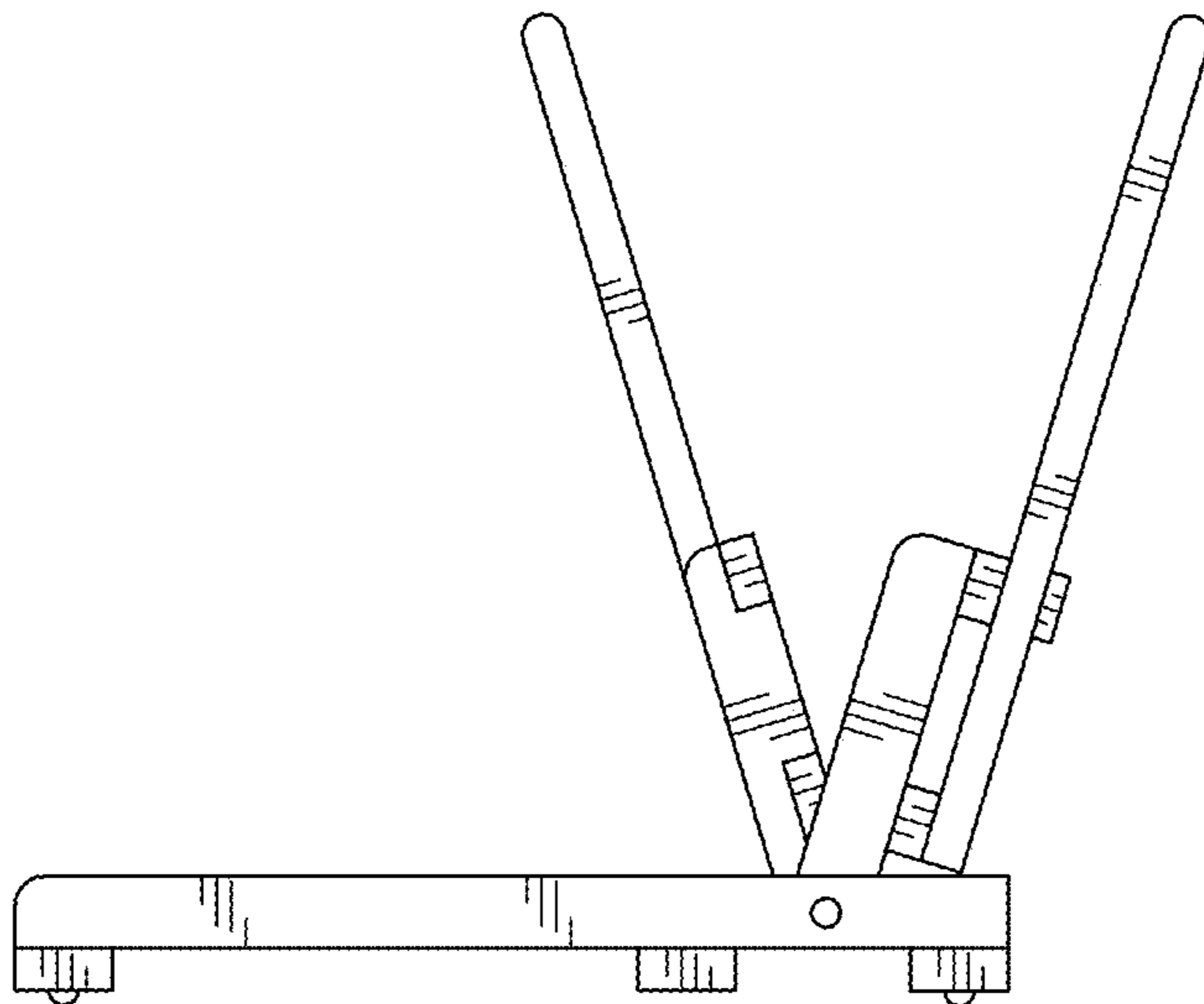
**FIG. 2**



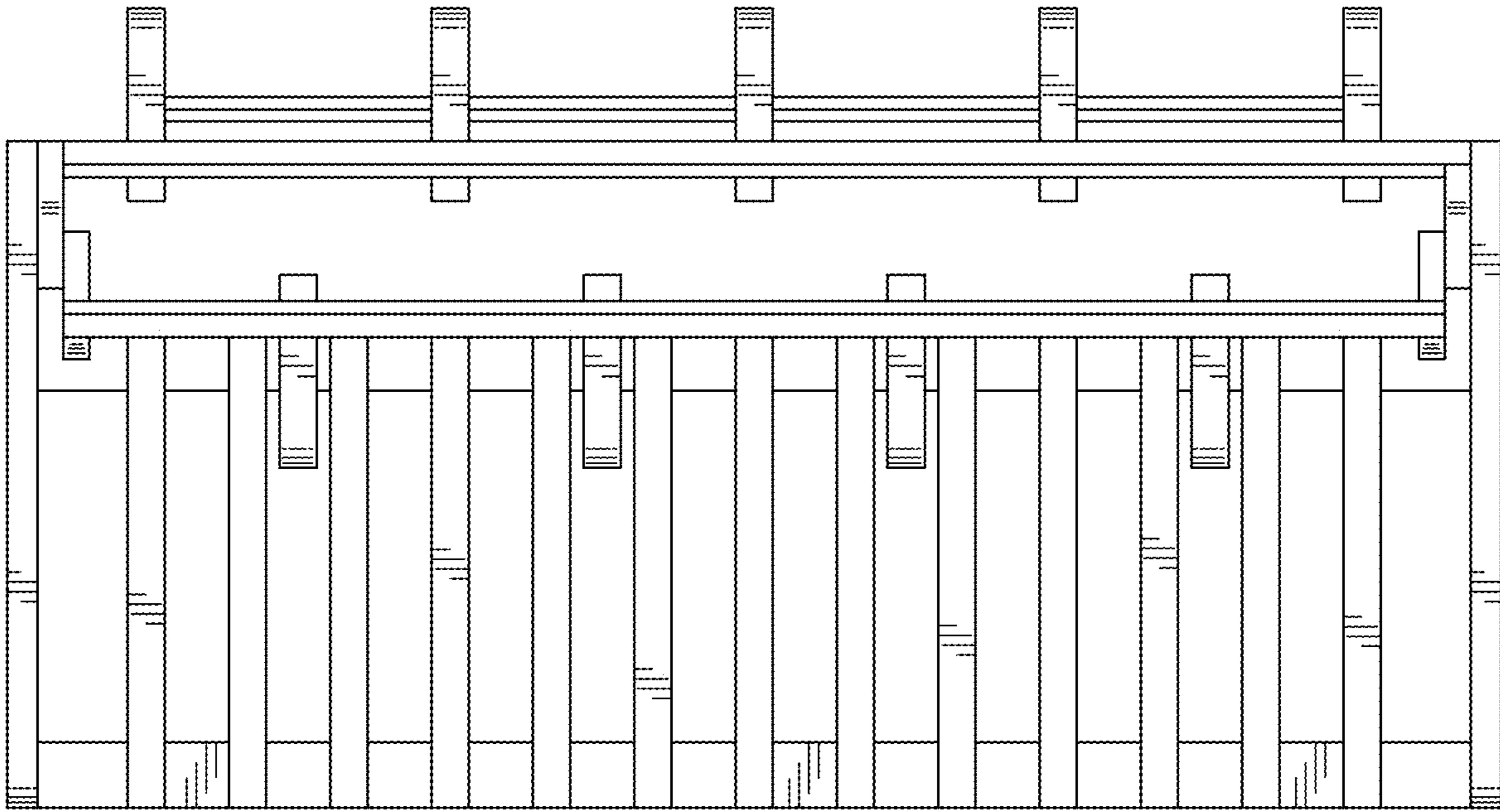
**FIG. 3**



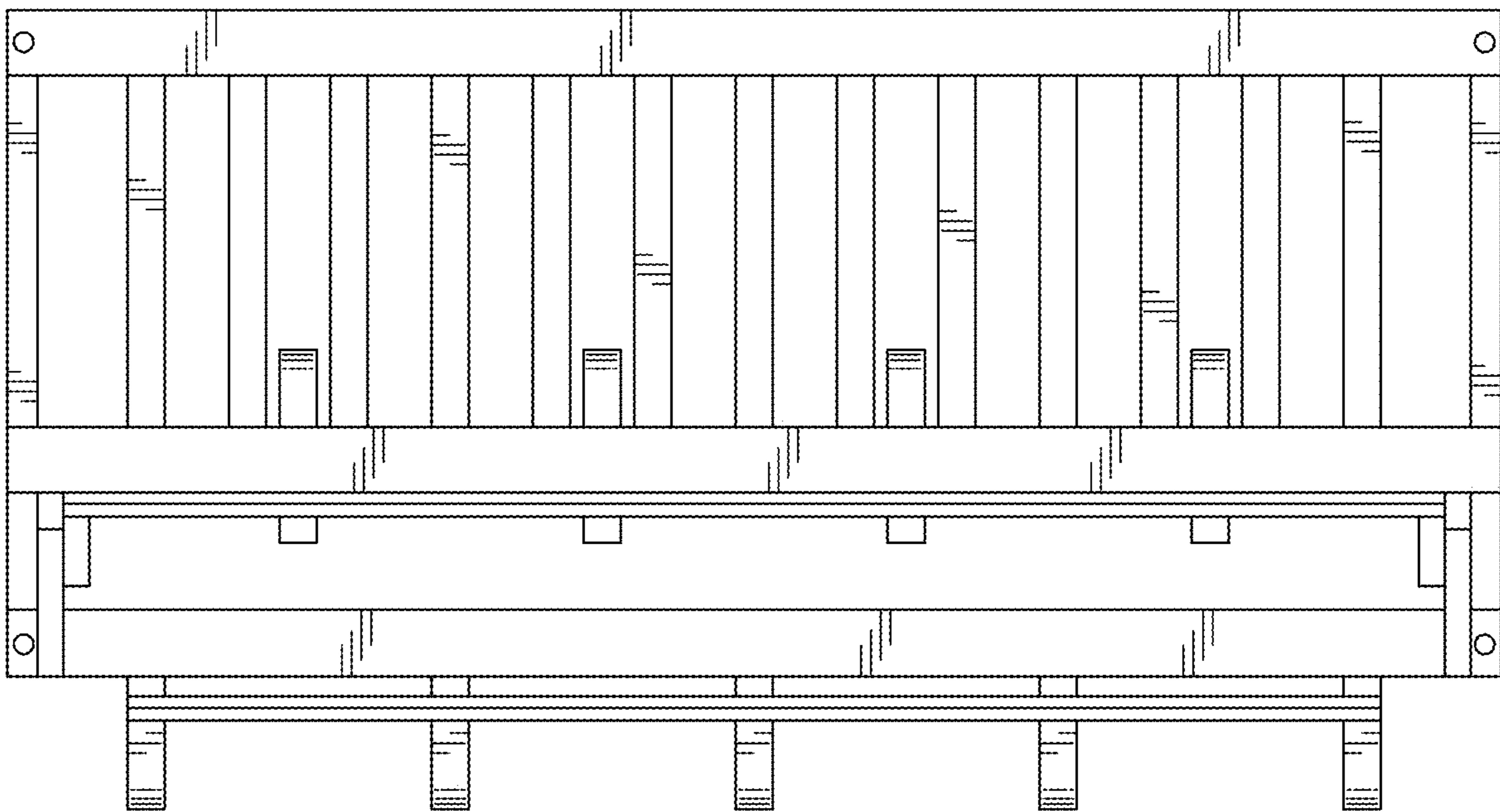
**FIG. 4**



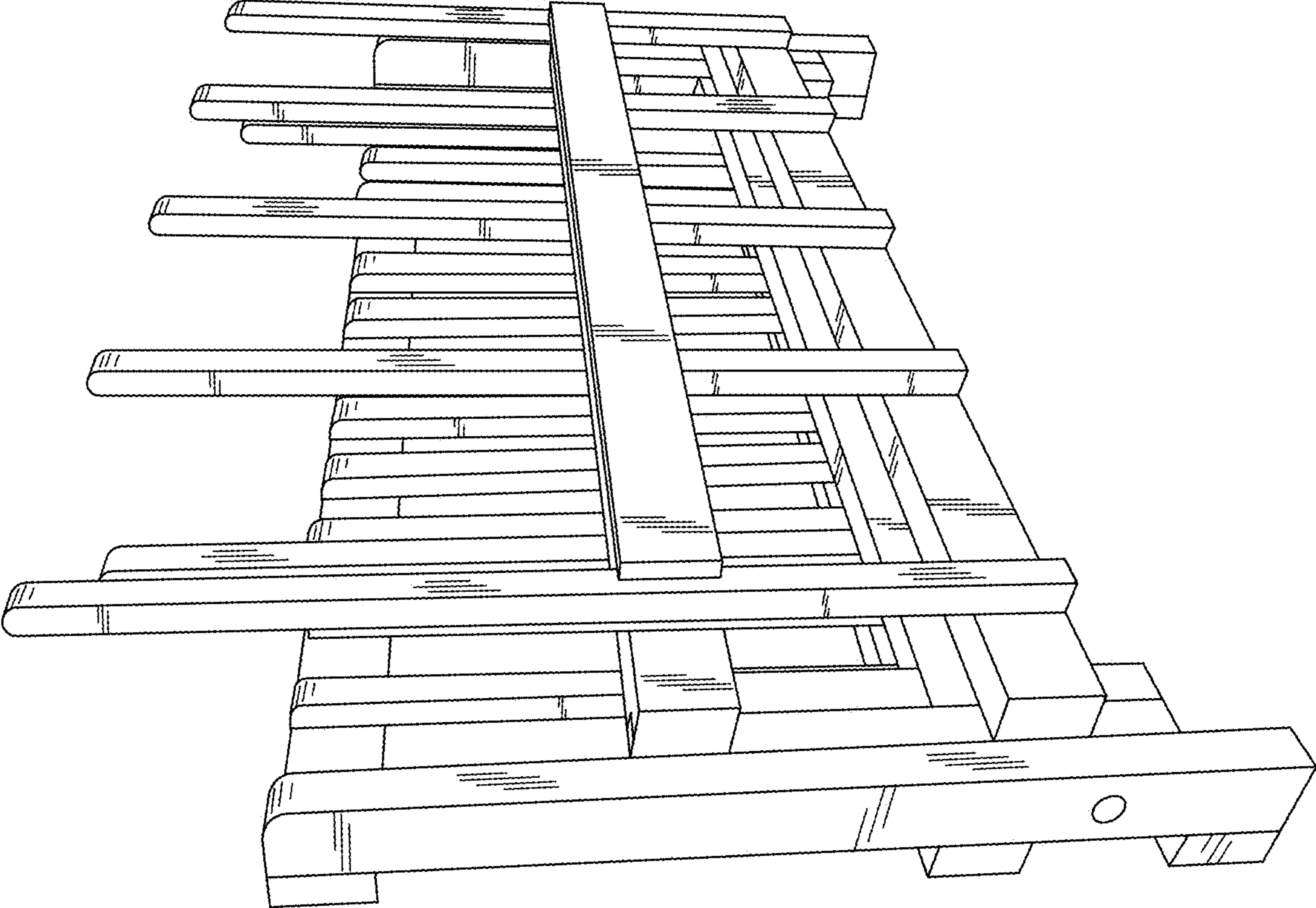
**FIG. 5**



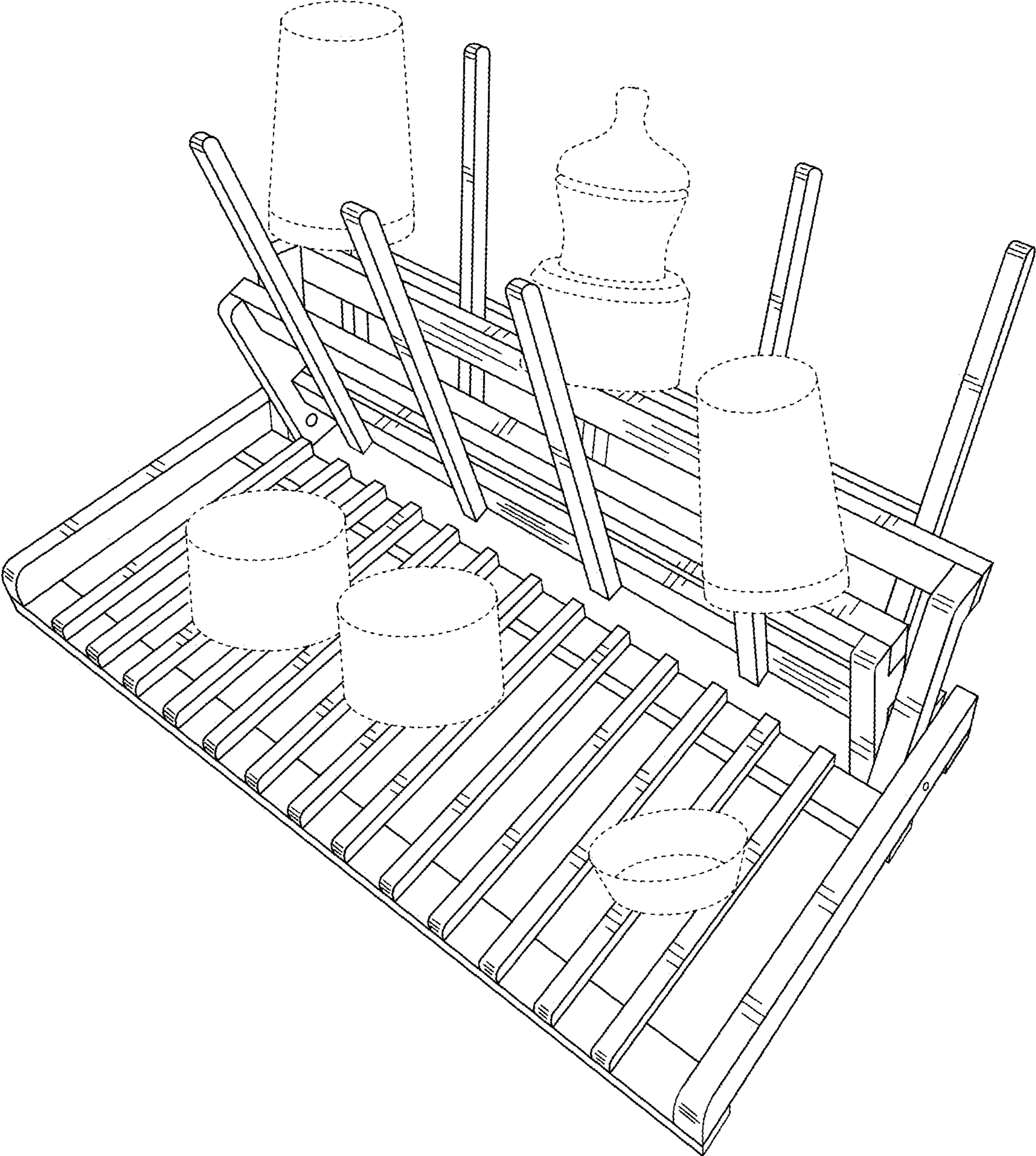
**FIG. 6**



**FIG. 7**



**FIG. 8**



**FIG. 9**