



US00D921315S

(12) **United States Design Patent**
Hamilton

(10) **Patent No.:** **US D921,315 S**
(45) **Date of Patent:** **** Jun. 1, 2021**

(54) **PAINT PLATFORM**

(71) Applicant: **James Elree Hamilton**, Georgetown, TX (US)

(72) Inventor: **James Elree Hamilton**, Georgetown, TX (US)

(**) Term: **15 Years**

(21) Appl. No.: **29/728,938**

(22) Filed: **Mar. 23, 2020**

(51) **LOC (13) Cl.** **07-05**

(52) **U.S. Cl.**
USPC **D32/54**

(58) **Field of Classification Search**
USPC D3/201, 304, 313; D7/391, 392, 392.1, D7/396.2, 554.3, 698, 900; D9/440, 447, D9/449, 453; D12/420; D27/183, 194; D32/53, 53.1, 54, 73; D34/11, 15, 39
CPC ... A01K 39/012; A01K 5/0114; A01M 31/02; A24C 5/44; A47J 7/0069; A47G 19/065; A61J 7/02; B01D 41/04; B07C 7/04; B44D 3/08; B44D 3/14; B44D 3/123; B44D 3/127; B44D 3/128; B44D 3/121; B60R 9/06; B65D 43/0212; B65D 81/133; B65D 39/082; B65D 47/063; B64D 11/0638; E06C 7/14; E06C 7/143; E06C 1/393; E06C 7/182; G06K 9/60
See application file for complete search history.

4,034,715 A * 7/1977 Arner A01K 5/0114
119/51.5

4,085,845 A * 4/1978 Perfect B65D 81/133
206/564

4,203,537 A * 5/1980 McAlister B44D 3/128
220/675

D262,507 S * 1/1982 Wooldridge D7/698

D288,667 S * 3/1987 Miner D9/440

4,658,957 A * 4/1987 Guth A61J 7/0069
206/365

D293,842 S * 1/1988 Titi D32/73

D298,968 S * 12/1988 McAllister D15/140

4,852,759 A * 8/1989 Williams B44D 3/128
220/571.1

D316,171 S * 4/1991 Chatham D3/304
(Continued)

OTHER PUBLICATIONS

Gryp mats <https://www.gryp.mat.com/collections/all/products/duo-gryp.mat?variant=32594110906428> (Year: 2020).*

(Continued)

Primary Examiner — Michelle E. Wilson
Assistant Examiner — Richard E Yenchsky
(74) *Attorney, Agent, or Firm* — Patent Law Office PC; Bao Tran

(57) **CLAIM**
The ornamental design for a paint platform, as shown and described.

DESCRIPTION

FIG. 1 is a perspective view of a paint platform.
FIG. 2 is a top view of the paint platform.
FIG. 3 is a bottom view of the paint platform.
FIG. 4 is a front-side view of the paint platform.
FIG. 5 is a back-side view of the paint platform.
FIG. 6 is a right-side view of the paint platform; and,
FIG. 7 is a left-side view of the paint platform.

1 Claim, 5 Drawing Sheets

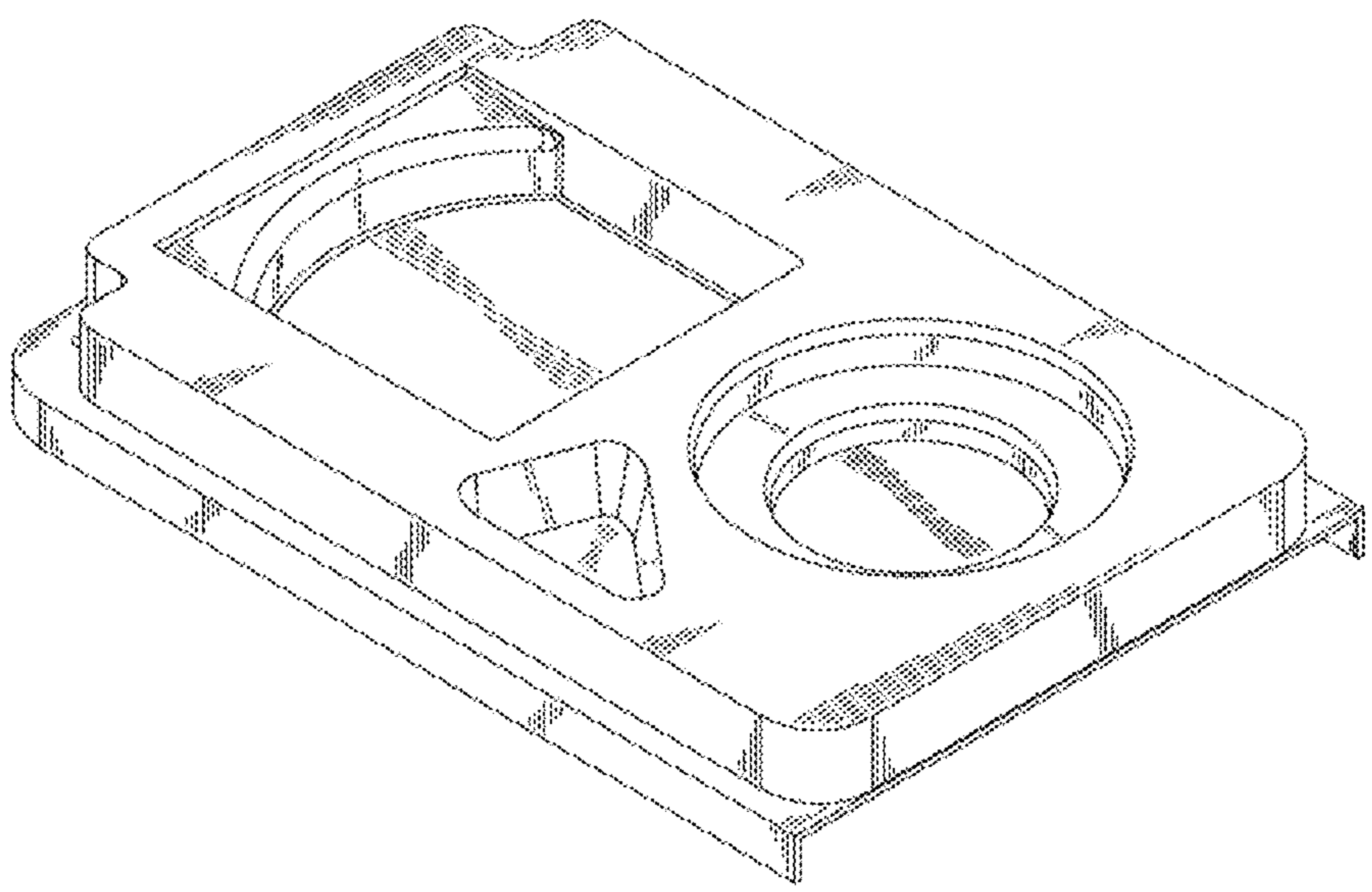
(56) **References Cited**
U.S. PATENT DOCUMENTS

3,136,296 A * 6/1964 Luin A01K 39/012
119/52.2

D214,360 S * 6/1969 Huber D34/39

3,730,141 A * 5/1973 Manning G06K 9/60
119/51.5

3,747,756 A * 7/1973 Wheeler B07C 7/04
209/703



(56)

References Cited

U.S. PATENT DOCUMENTS

D321,070 S * 10/1991 Lewicki D32/54
 D332,683 S * 1/1993 Adolf D32/53.1
 D336,579 S * 6/1993 Keller D12/420
 D345,833 S * 4/1994 Truran D32/54
 D363,195 S * 10/1995 Bransby D7/698
 5,489,042 A * 2/1996 Ewald B01D 41/04
 141/364
 5,495,950 A * 3/1996 Jellum B07C 7/04
 209/703
 D374,946 S * 10/1996 Meurlin D27/183
 5,605,247 A * 2/1997 Earnshaw A47D 1/00
 220/571
 D379,302 S * 5/1997 Rodman D9/440
 D382,203 S * 8/1997 Fonville D7/900
 D382,402 S * 8/1997 Pawuk D3/304
 D391,730 S * 3/1998 Wang D34/15
 5,743,425 A * 4/1998 Ellis B65D 39/082
 220/254.2
 5,971,201 A * 10/1999 Daw B44D 3/121
 220/697
 D420,849 S * 2/2000 Jarvis D7/391
 D422,394 S * 4/2000 Scott D34/39
 D430,399 S * 9/2000 Pawuk D3/304
 D432,308 S * 10/2000 Lockhart D3/201
 6,264,026 B1 * 7/2001 Bradley A47G 19/065
 206/217
 6,394,152 B1 * 5/2002 Martin B44D 3/08
 141/18
 D459,581 S * 7/2002 Krumes D3/304
 D467,049 S * 12/2002 Kohn D32/53.1
 D467,398 S * 12/2002 Kohn D32/53.1
 6,565,051 B2 * 5/2003 Vaglica E06C 7/14
 182/107
 6,783,019 B2 * 8/2004 Zettle B65D 43/0212
 220/254.3
 6,824,115 B1 * 11/2004 Batson E06C 7/143
 182/129
 7,137,525 B2 * 11/2006 Gibney B44D 3/127
 220/319
 D533,779 S * 12/2006 Schmidtner D9/449
 D547,490 S * 7/2007 Simester D27/194
 D597,725 S * 8/2009 Smeaton D34/11
 D620,260 S * 7/2010 Emmert D3/313
 D647,269 S * 10/2011 Searcy D32/53.1
 D673,047 S * 12/2012 Stamper D9/453

D688,434 S * 8/2013 Kinskey D32/53
 D688,843 S * 8/2013 Shea 32/53.1
 8,528,776 B2 * 9/2013 Treacy B44D 3/123
 220/697
 D692,720 S * 11/2013 Audette D7/392
 8,701,828 B1 * 4/2014 Matthew E06C 7/182
 182/129
 8,733,580 B1 * 5/2014 Schall, Jr. B44D 3/14
 220/570
 D737,509 S * 8/2015 Now D27/194
 D799,826 S * 10/2017 DeVita A61J 7/02
 D3/304
 D826,511 S * 8/2018 Ching D34/39
 10,167,669 B1 * 1/2019 Otenbaker E06C 7/14
 D841,401 S * 2/2019 Jones D7/554.3
 D864,718 S * 10/2019 Gibney D9/447
 D889,126 S * 7/2020 Staiano D3/304
 D896,026 S * 9/2020 Chu D7/396.2
 D899,845 S * 10/2020 Hamilton D7/392.1
 D907,923 S * 1/2021 Benlolo D3/304
 D910,370 S * 2/2021 Chu D7/396.2
 2002/0017430 A1 * 2/2002 Rosko E06C 1/393
 182/129
 2003/0029676 A1 * 2/2003 Gibson E06C 7/14
 182/161
 2004/0074933 A1 * 4/2004 Tilbrook B65D 47/063
 222/530
 2004/0238278 A1 * 12/2004 Gibson E06C 1/393
 182/129
 2006/0237026 A1 * 10/2006 Simester A24C 5/44
 131/329
 2010/0237207 A1 * 9/2010 Cabral E06C 7/14
 248/211
 2013/0069354 A1 * 3/2013 Pecora B60R 9/06
 280/769
 2013/0186310 A1 * 7/2013 Lymberis A01M 31/02
 108/137
 2015/0061327 A1 * 3/2015 Millan B64D 11/0638
 297/163

OTHER PUBLICATIONS

Tool Tray <https://www.westernbikeworks.com/product/feedback-sports-tt-15b-tool-tray> (Year: 2021).*
 Utility tray <https://www.grainger.com/product/WERNER-Utility-Tray-4GNL2> (Year: 2021).*

* cited by examiner

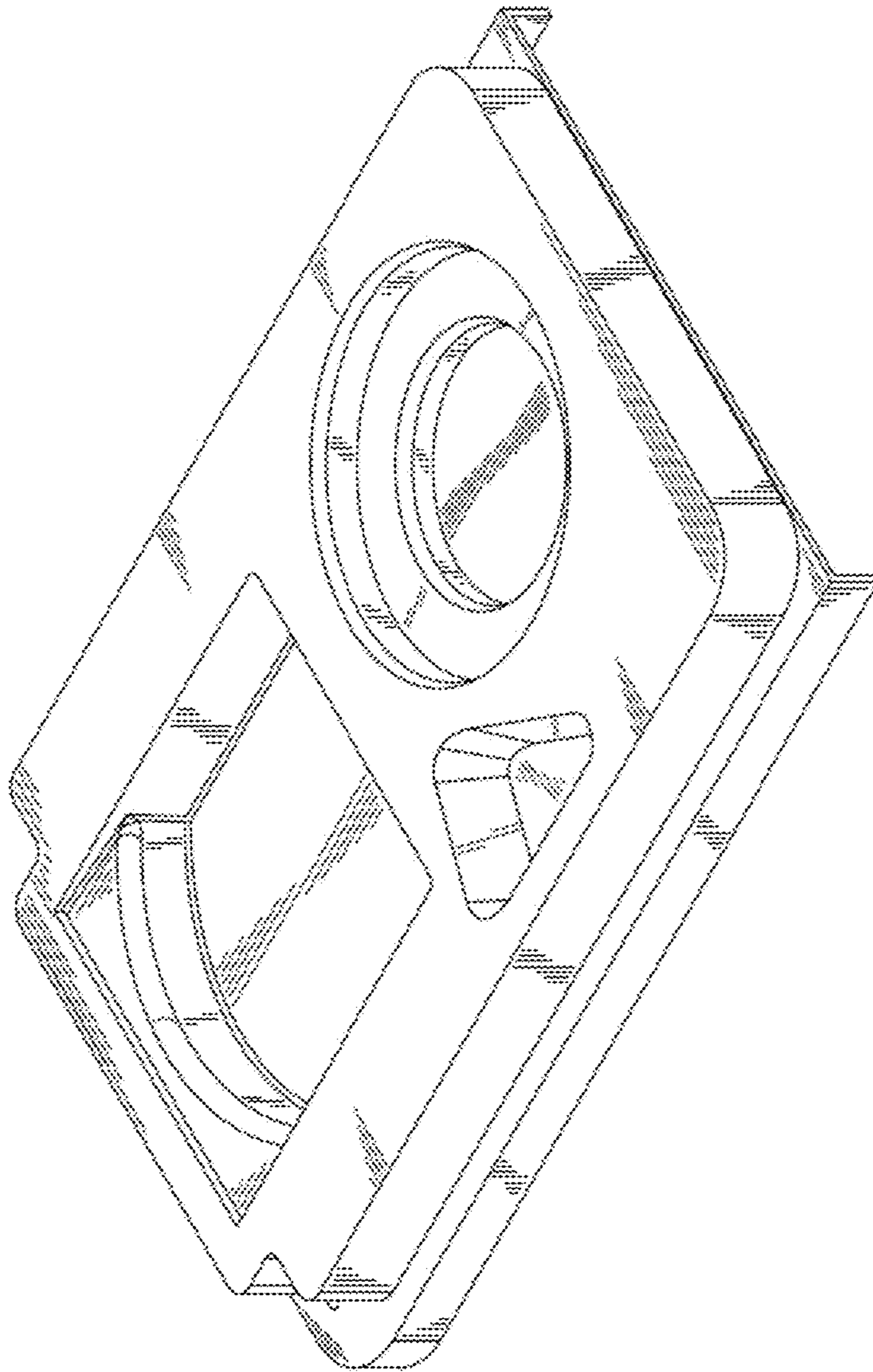


FIG. 1

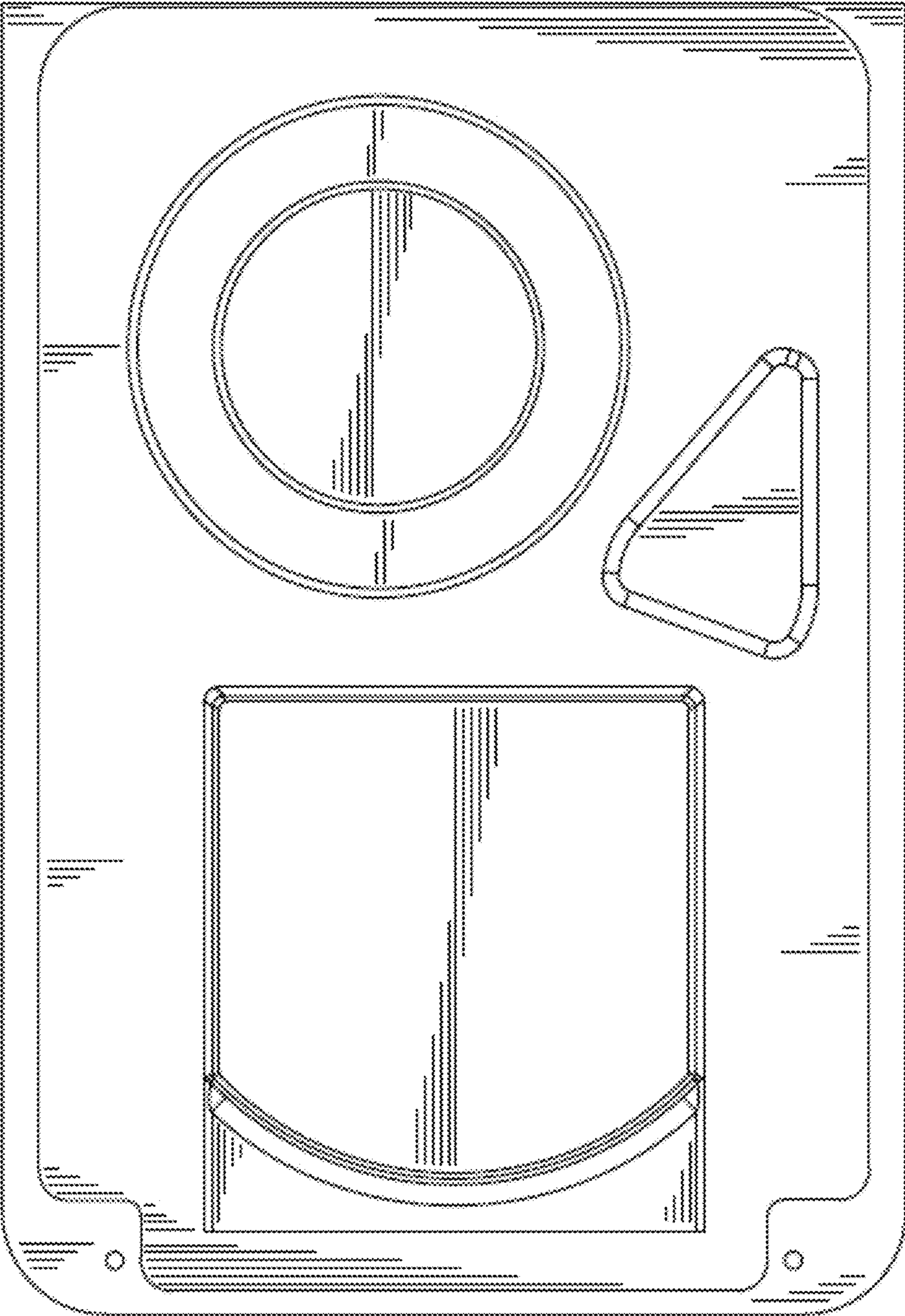


FIG. 2

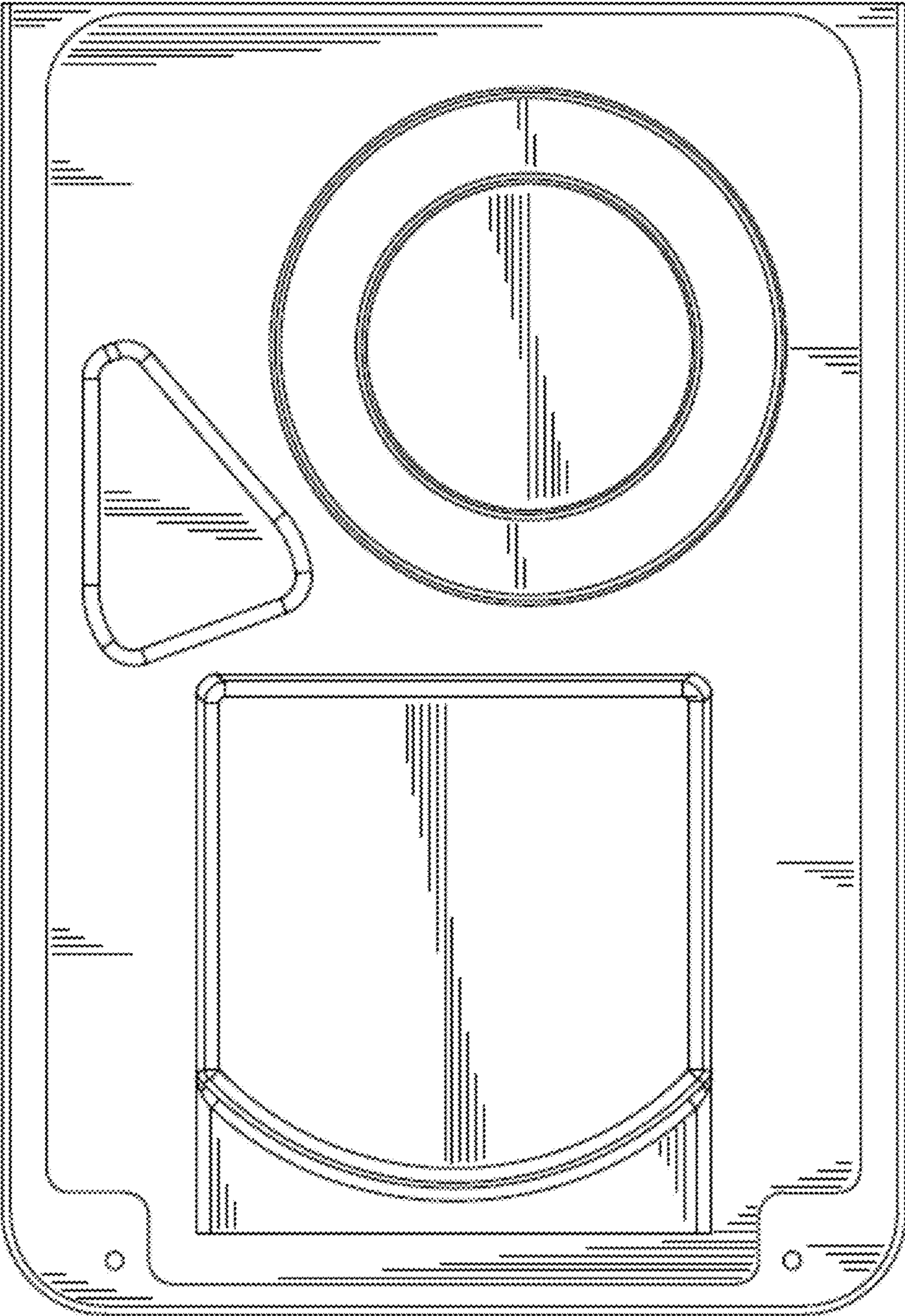


FIG. 3



FIG. 4



FIG. 5



FIG. 6



FIG. 7