



US00D921314S

(12) **United States Design Patent**  
**Luburic**

(10) **Patent No.:** **US D921,314 S**

(45) **Date of Patent:** **\*\* Jun. 1, 2021**

(54) **CONTAINER**

(71) Applicant: **BWAY Corporation**, Atlanta, GA (US)

(72) Inventor: **Franco Luburic**, Costa Mesa, CA (US)

(73) Assignee: **BWAY Corporation**, Atlanta, GA (US)

(\*\*) Term: **15 Years**

(21) Appl. No.: **29/697,243**

(22) Filed: **Jul. 5, 2019**

(51) **LOC (13) Cl.** ..... **07-05**

(52) **U.S. Cl.**  
USPC ..... **D32/53**

(58) **Field of Classification Search**  
USPC ..... D3/276; D7/630; D9/420, 424;  
D21/483; D24/131; D32/53, 53.1  
CPC ..... B65D 43/0212; B65D 43/169; B65D  
25/2897; B65D 25/32; B65D 45/345;  
B65D 15/26-264; B65D 220/904; B65D  
2543/00092; B44D 3/123; B44D 3/128;  
B44D 3/12; B44D 3/126; B44D 3/127  
See application file for complete search history.

D613,015 S \* 3/2010 Manteuffel ..... D32/53  
D688,018 S \* 8/2013 Duquenoy ..... D32/53  
8,596,492 B2 \* 12/2013 Lown ..... B65D 43/0212  
220/787  
D716,011 S \* 10/2014 Jackson ..... D32/53  
D717,010 S \* 11/2014 Jackson ..... D32/53  
D729,480 S \* 5/2015 Silkaitis ..... D32/53  
D729,481 S \* 5/2015 Silkaitis ..... D32/53  
D767,227 S \* 9/2016 Del Rosario Roy ..... D32/53

(Continued)

**OTHER PUBLICATIONS**

Food-safe square bucket <https://pleasanthillgrain.com/five-5-gallon-square-buckets> (Year: 2016).\*

(Continued)

*Primary Examiner* — Michelle E. Wilson  
*Assistant Examiner* — Richard E Yenchesky  
(74) *Attorney, Agent, or Firm* — Morris, Manning & Martin, LLP; Daniel E. Sineway, Esq.; Bryan D. Stewart, Esq.

(57) **CLAIM**

The ornamental design for the container, as shown and described.

(56) **References Cited**

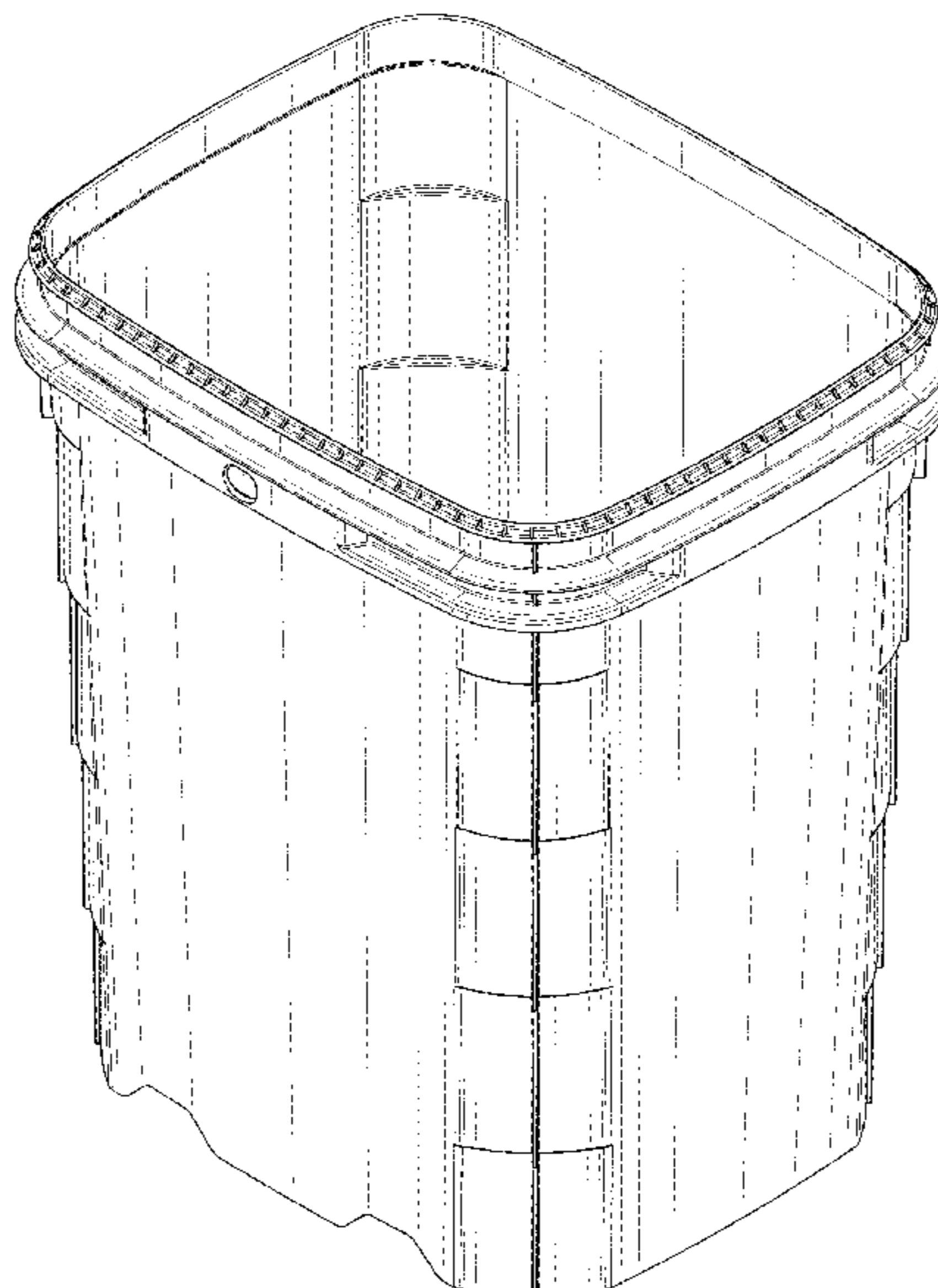
**U.S. PATENT DOCUMENTS**

D289,186 S \* 4/1987 Thomson ..... D21/483  
D295,093 S \* 4/1988 Tapdrup ..... D32/53  
D327,555 S \* 6/1992 Juergens ..... D32/53  
D430,459 S \* 9/2000 Conti ..... D32/53  
D435,654 S \* 12/2000 Gaba ..... D24/131  
D503,534 S \* 4/2005 Dong ..... D3/276  
D506,608 S \* 6/2005 Dong ..... B65D 25/32  
D3/276  
D526,481 S \* 8/2006 Dong ..... D3/276  
D527,153 S \* 8/2006 Morad ..... D32/53  
D549,416 S \* 8/2007 Sampaio ..... D32/53  
7,475,788 B2 \* 1/2009 Schwarz ..... B65D 43/169  
220/276  
D608,066 S \* 1/2010 Pearl ..... D32/53

**DESCRIPTION**

FIG. 1 is a perspective view of an exemplary container; FIG. 2 is a top plan view of an exemplary container; FIG. 3 is a bottom plan view of an exemplary container; FIG. 4 is a side elevational view of an exemplary container, the opposite side being a mirror image of the side shown in FIG. 4; and, FIG. 5 is a side elevational view of an exemplary container, the opposite side being the mirror image of the side shown in FIG. 5. The broken lines shown in the drawings illustrate portions of the container that form no part of the claimed design.

**1 Claim, 5 Drawing Sheets**



(56)

**References Cited**

U.S. PATENT DOCUMENTS

D767,228 S \* 9/2016 Del Rosario Roy ..... D32/53  
D778,519 S \* 2/2017 Luburic ..... D32/53  
9,669,959 B2 \* 6/2017 Luburic ..... B65D 25/2897  
D804,758 S \* 12/2017 Luburic ..... D32/53  
D814,920 S \* 4/2018 Georgiadis ..... D9/420  
D878,695 S \* 3/2020 Reinhart ..... D32/53  
D894,510 S \* 8/2020 Luburic ..... D32/53  
D901,255 S \* 11/2020 Samartgis ..... D7/630  
D903,482 S \* 12/2020 Drolet ..... D9/424  
2016/0311584 A1 \* 10/2016 Van Oosten ..... B65D 45/345

OTHER PUBLICATIONS

Square bucket <https://www.amazon.com/gallon-square-bucket-food-grade/dp/b001ps9hfu?tag=indifash06-20> (Year: 2017).\*  
Square pails [https://www.uline.com/BL\\_8172/Square-Pails](https://www.uline.com/BL_8172/Square-Pails) (Year: 2021).\*

\* cited by examiner

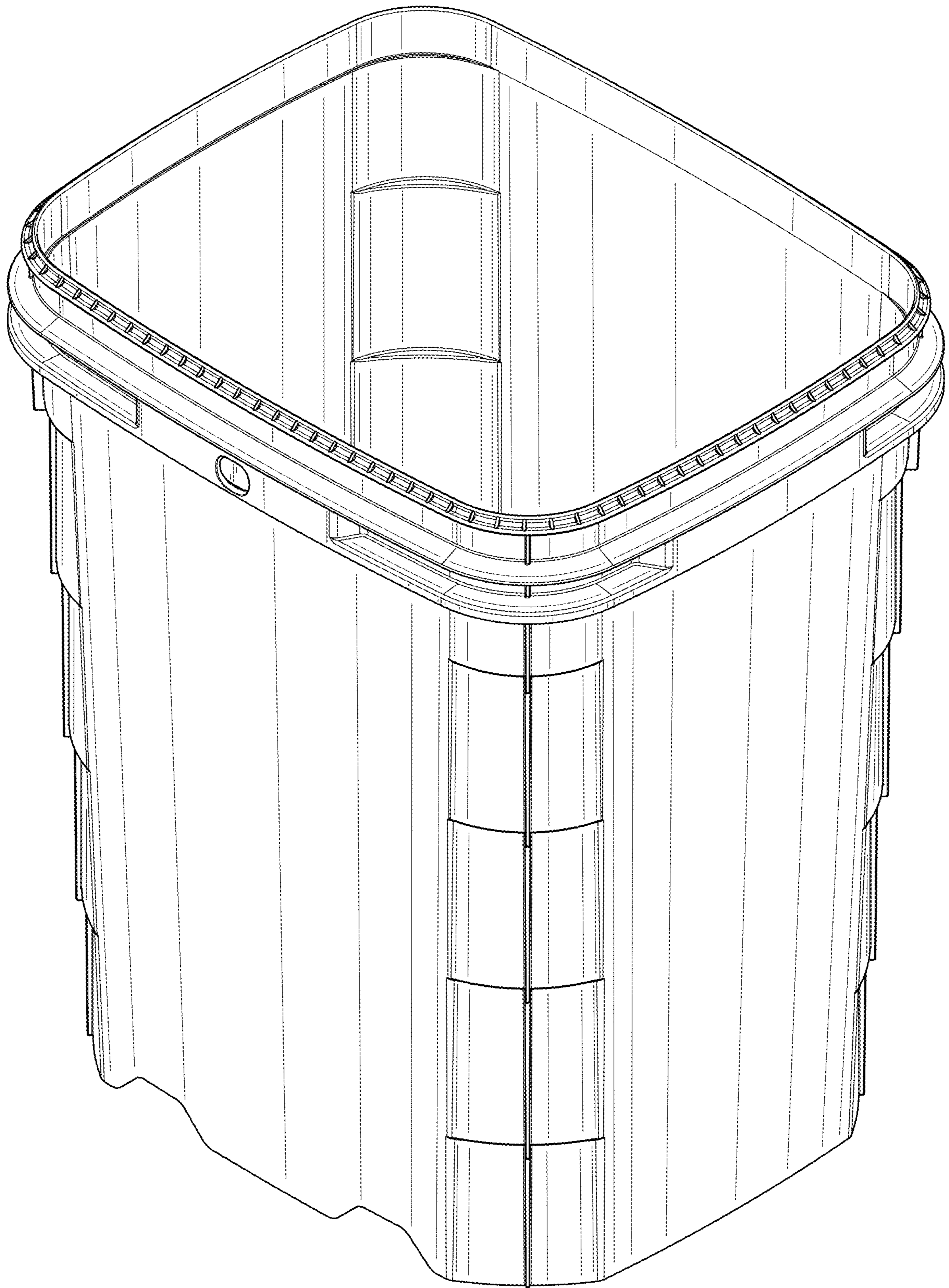


FIG. 1

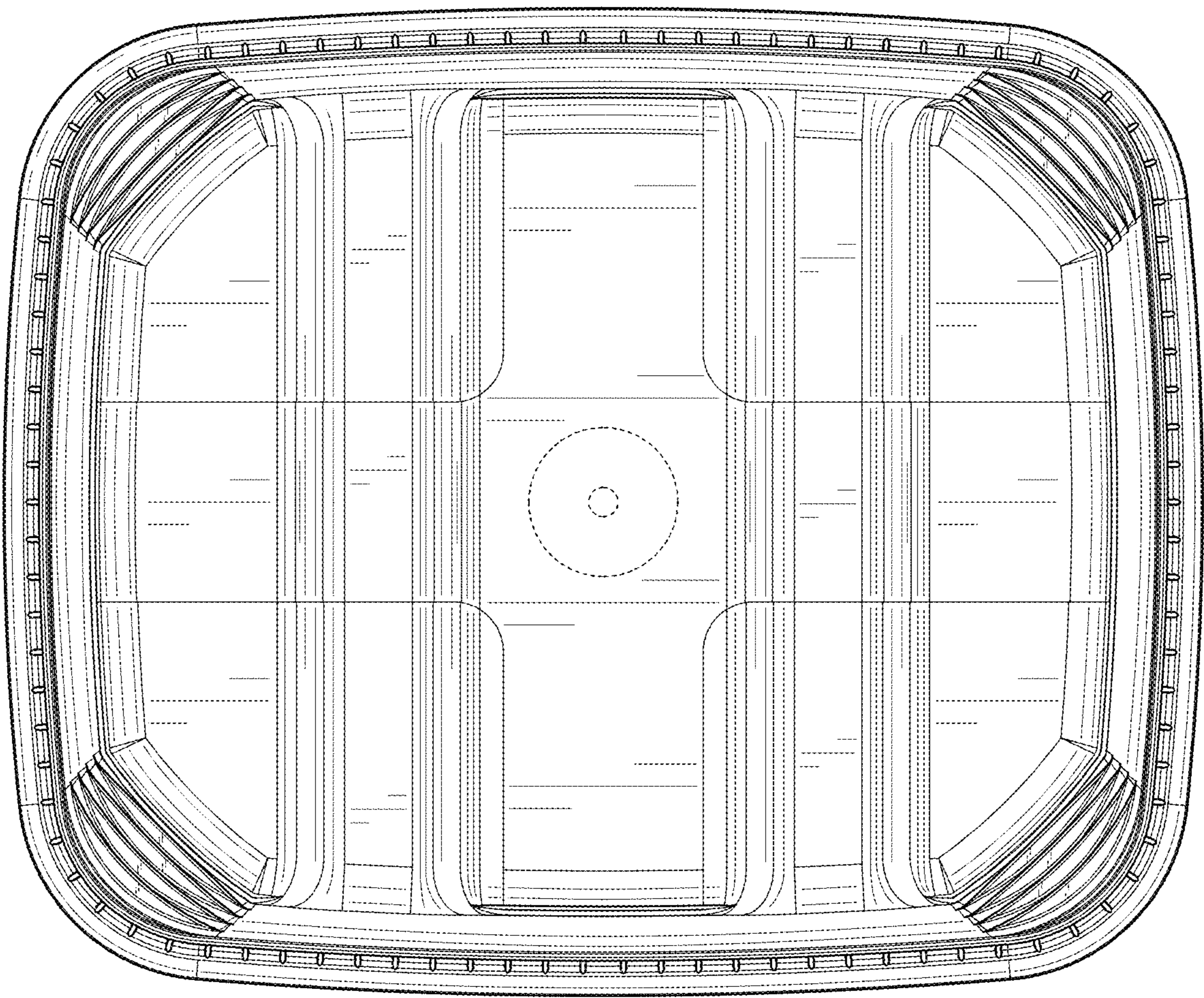


FIG. 2

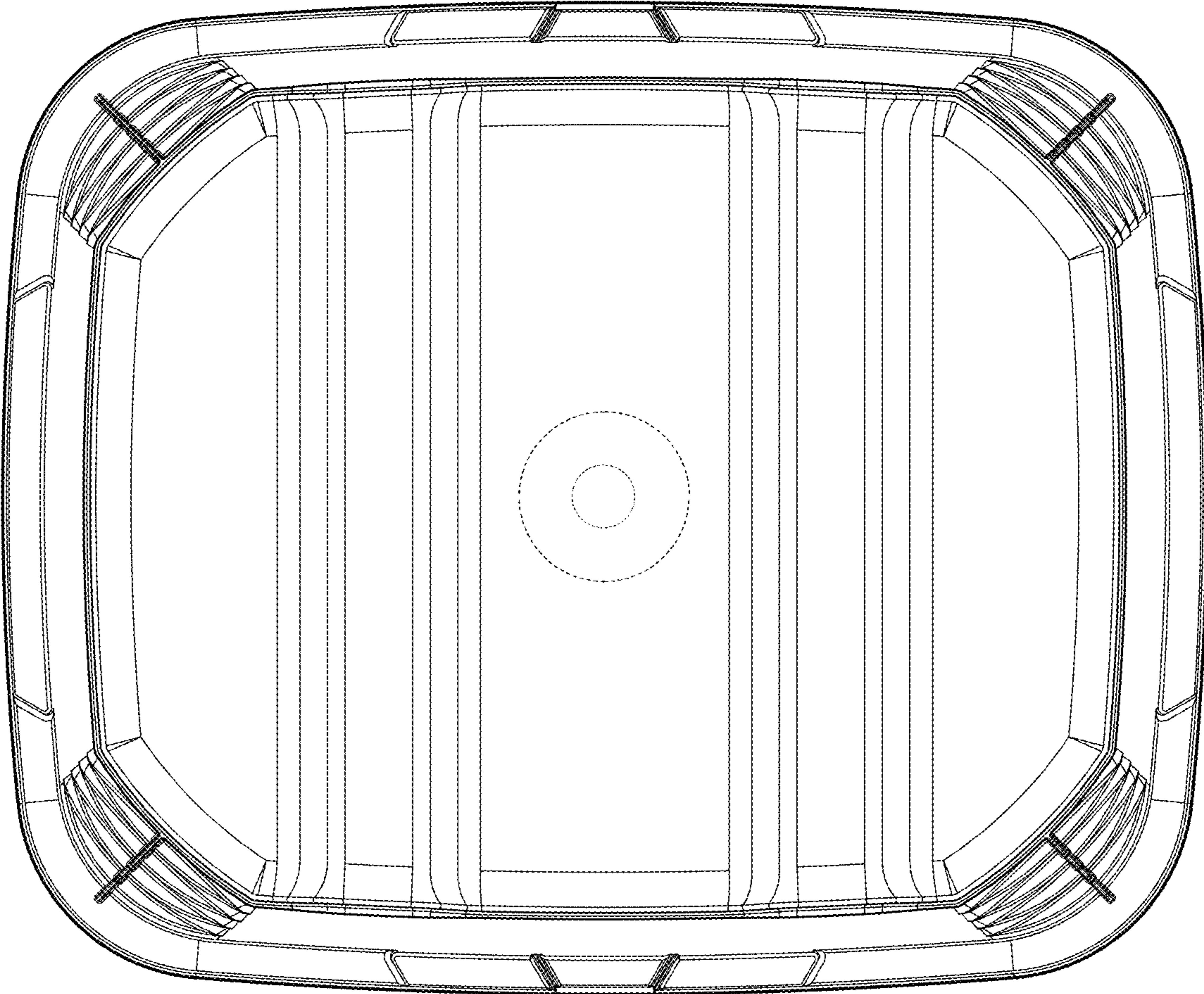


FIG. 3

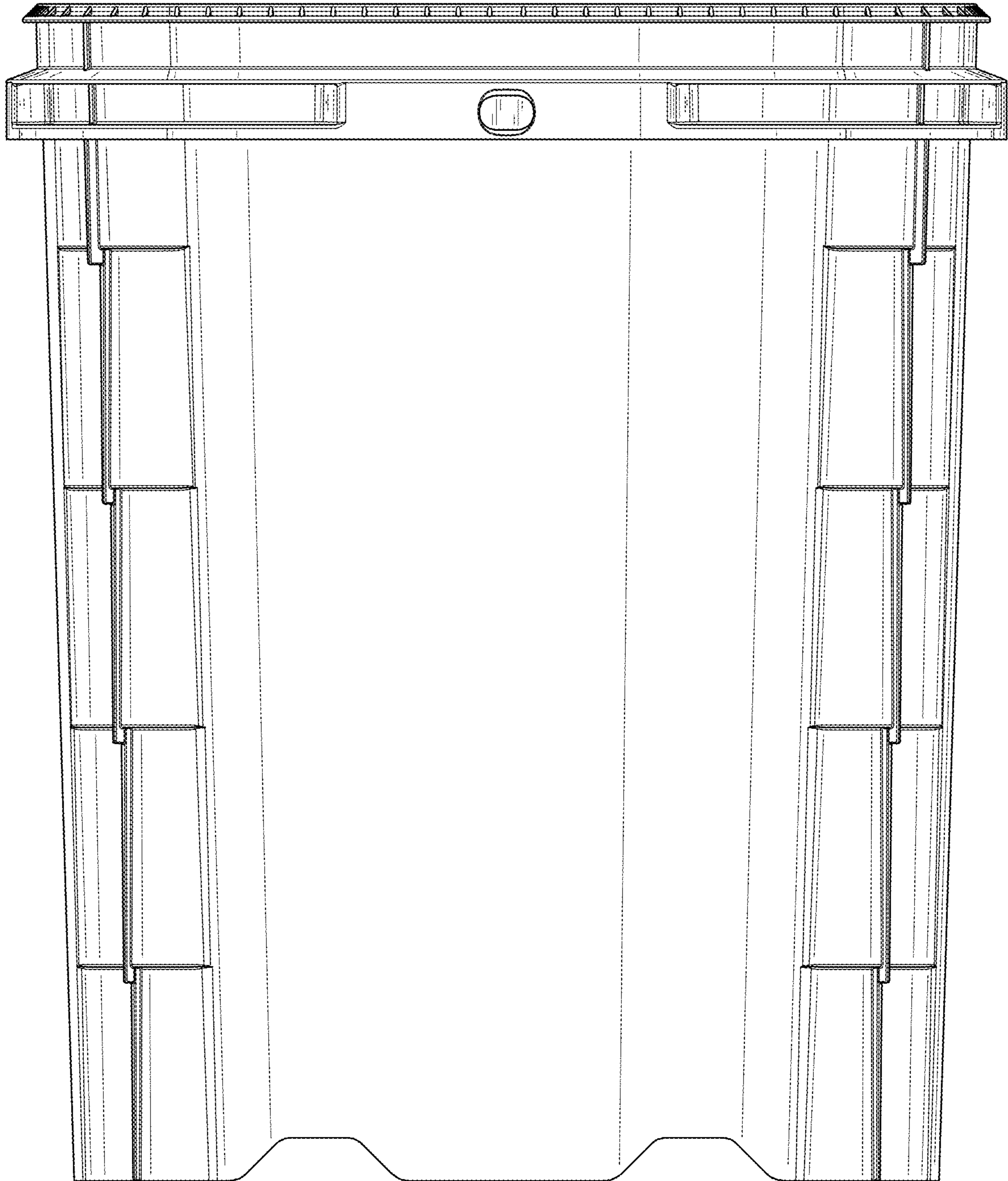


FIG. 4

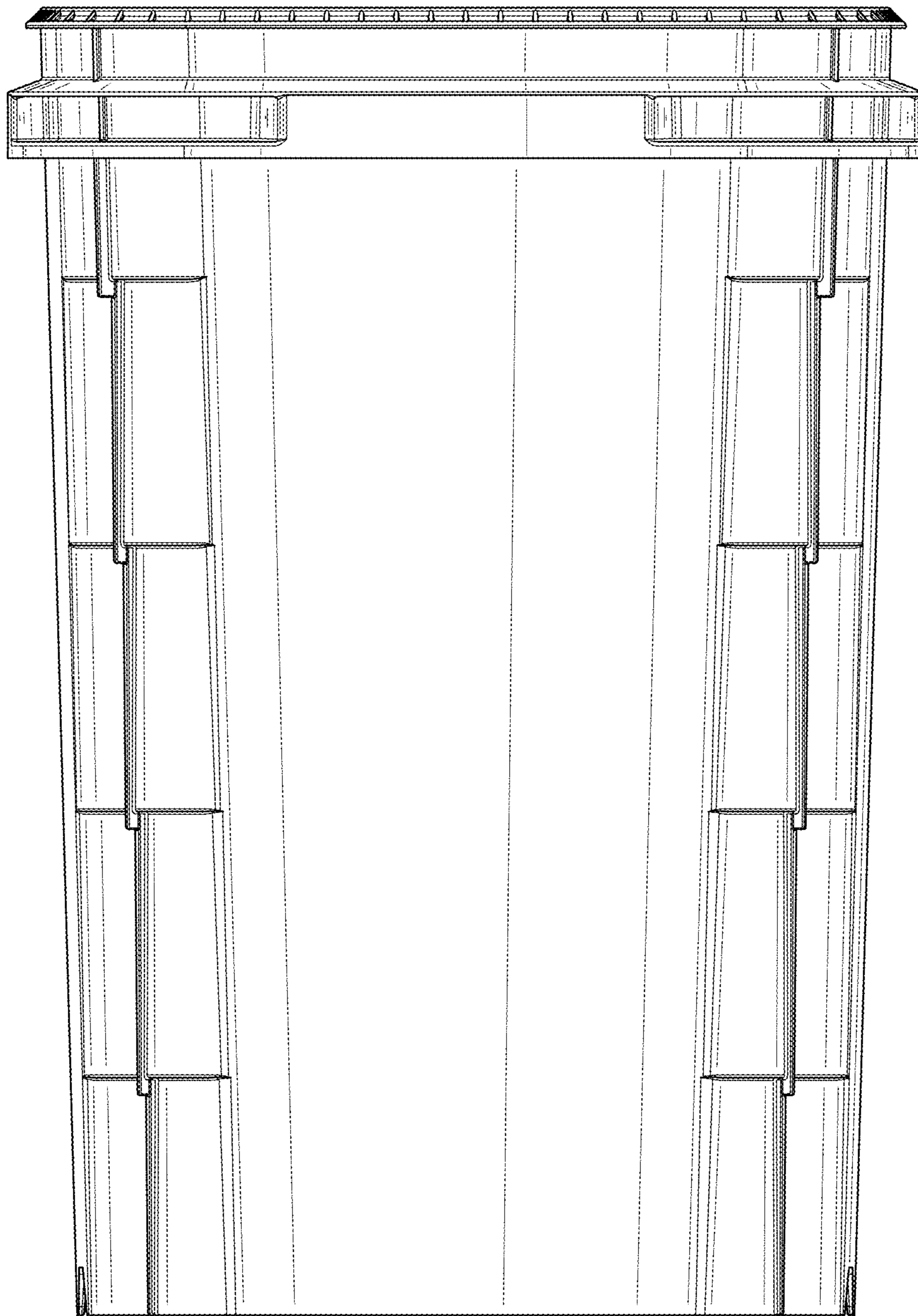


FIG. 5