

US00D921307S

(12) **United States Design Patent**
Boulet et al.

(10) **Patent No.:** **US D921,307 S**

(45) **Date of Patent:** **** Jun. 1, 2021**

(54) **CLEANING DEVICE FOR TOUCH SCREENS**

(71) Applicant: **AKSOR**, Saint-Thibault-des-Vignes
(FR)

(72) Inventors: **Patrick Boulet**, Lyons (FR); **Damien Frasier**, Athis Mons (FR)

(**) Term: **15 Years**

(21) Appl. No.: **35/508,954**

(22) Filed: **Dec. 27, 2019**

(80) **Hague Agreement Data**

Int. Filing Date: **Dec. 27, 2019**

Int. Reg. No.: **DM/206750**

Int. Reg. Date: **Dec. 27, 2019**

Int. Reg. Pub. Date: **Apr. 3, 2020**

(51) **LOC (13) Cl.** **15-05**

(52) **U.S. Cl.**

USPC **D32/17**

(58) **Field of Classification Search**

USPC D32/17, 18, 21-24, 31-34

CPC A47L 13/12; A47L 11/4036; A47L 9/062;

A47L 9/0673; A47L 11/4011; A47L

11/4061; A47L 13/225; A47L 13/256;

A47L 15/4257; A47L 2201/04; A47L

9/0693

See application file for complete search history.

(56) **References Cited**

U.S. PATENT DOCUMENTS

D696,827 S * 12/2013 Crawley D32/41

D725,326 S * 3/2015 Spencer D32/17

D738,583 S * 9/2015 Gidwell D32/32
D770,711 S * 11/2016 Okada D32/32
D779,752 S * 2/2017 Johnson D32/32
D842,559 S * 3/2019 Yang D32/17
D857,313 S * 8/2019 Smith D32/17
D886,400 S * 6/2020 Miyawaki D32/33
D900,420 S * 10/2020 Roschi D32/32
D912,348 S * 3/2021 Choi D32/32

* cited by examiner

Primary Examiner — Khawaja Anwar

(57) **CLAIM**

The ornamental design for cleaning device for touch screens,
as shown and described.

DESCRIPTION

1. Cleaning device for touch screens

1.1 : Perspective

1.2 : Front

1.3 : Back

1.4 : Left

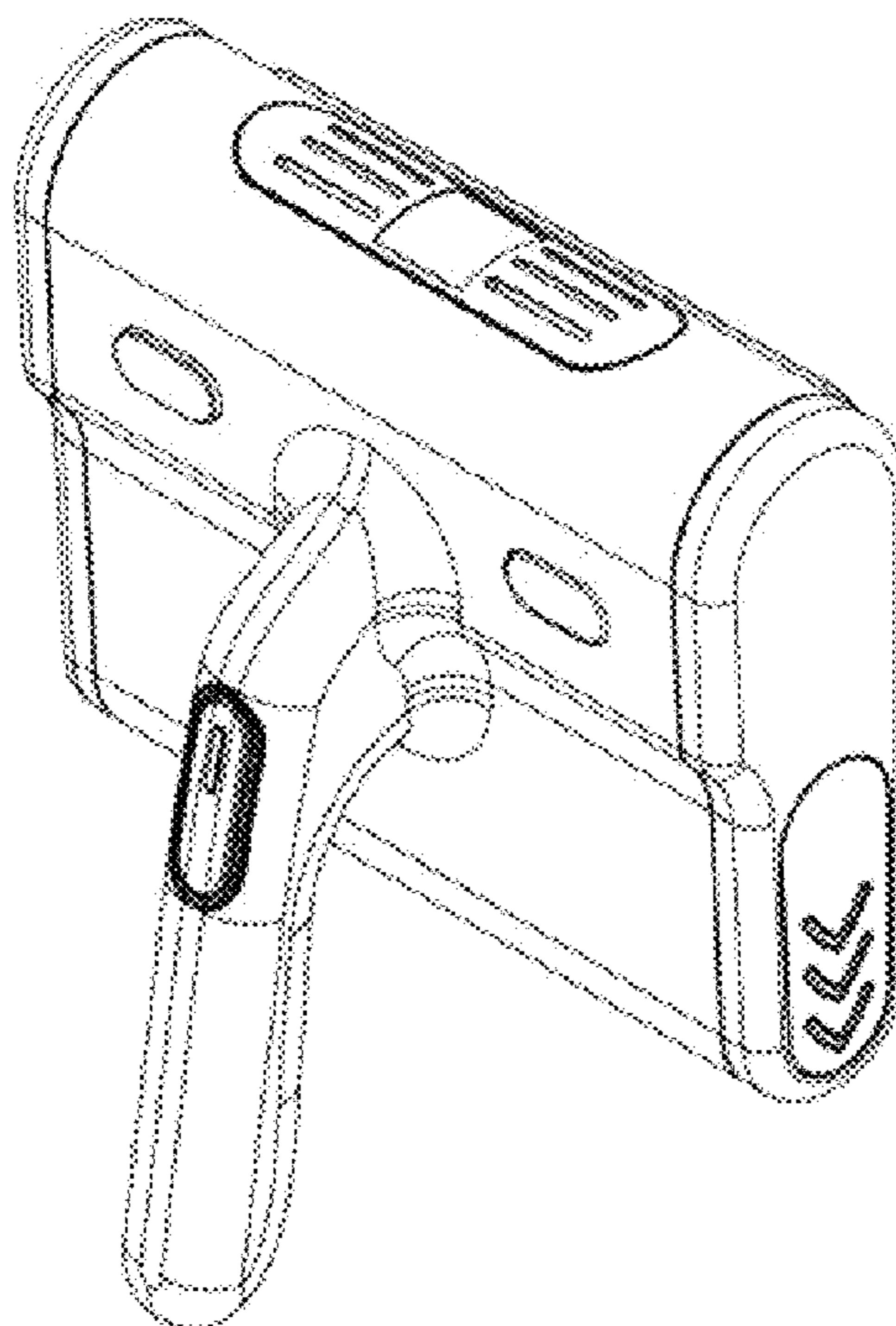
1.5 : Right

1.6 : Top

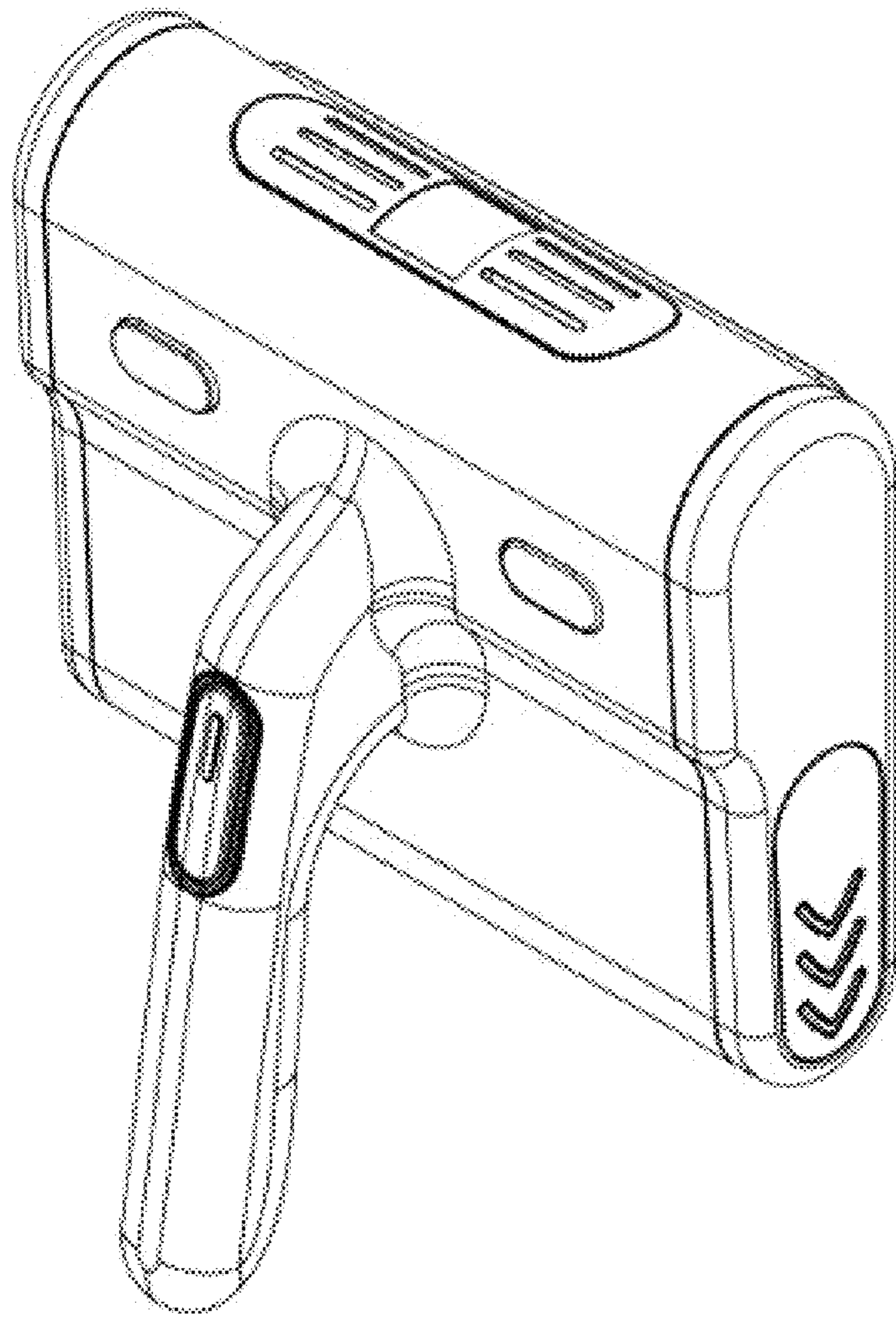
1.7 : Bottom

1.1 is a perspective view of a cleaning device for touch screens; **1.2** is a front view thereof; **1.3** is a back view thereof; **1.4** is a left side view thereof; **1.5** is a right side view thereof; **1.6** is a top view thereof; **1.7** is a bottom view thereof.

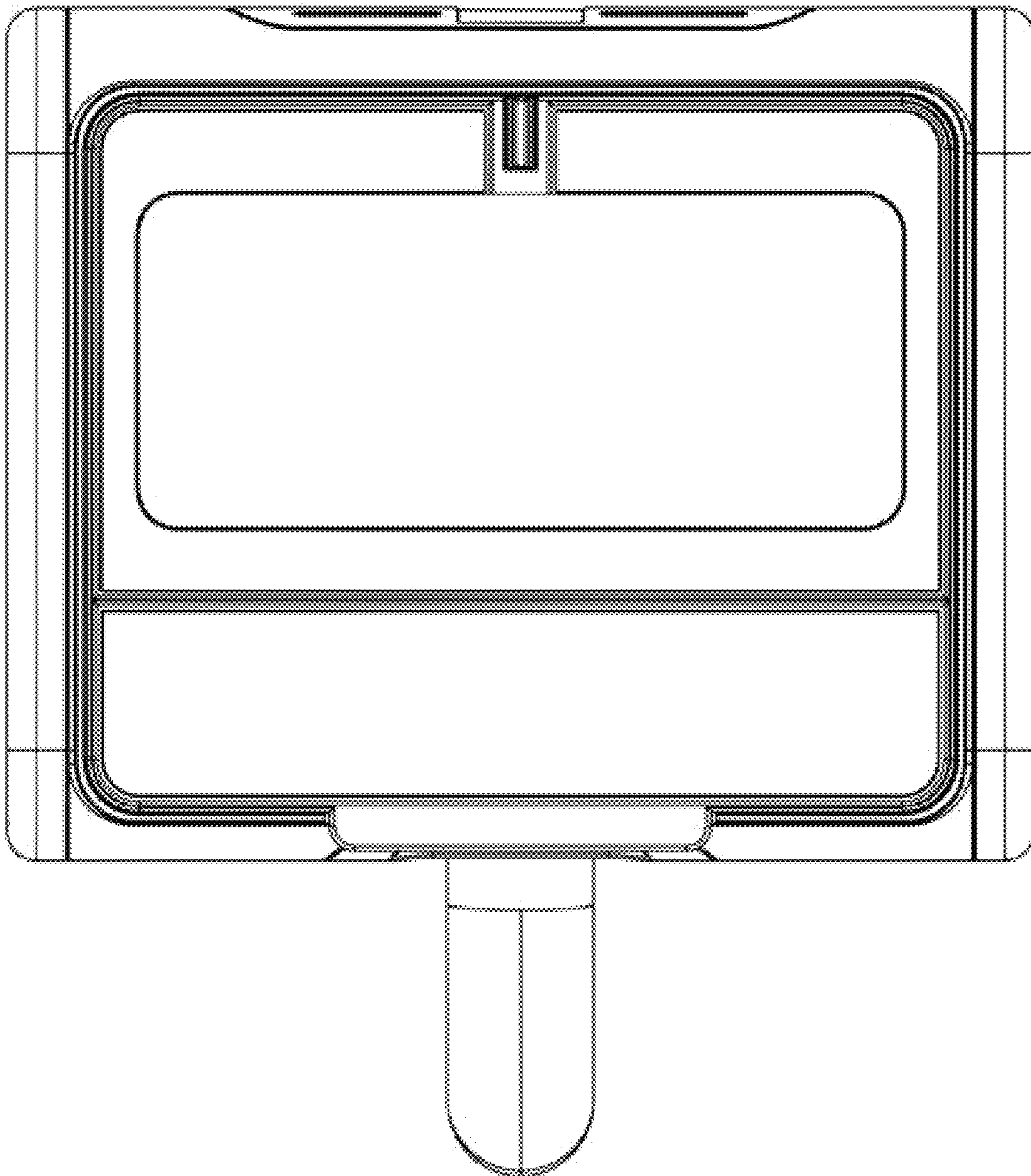
1 Claim, 7 Drawing Sheets



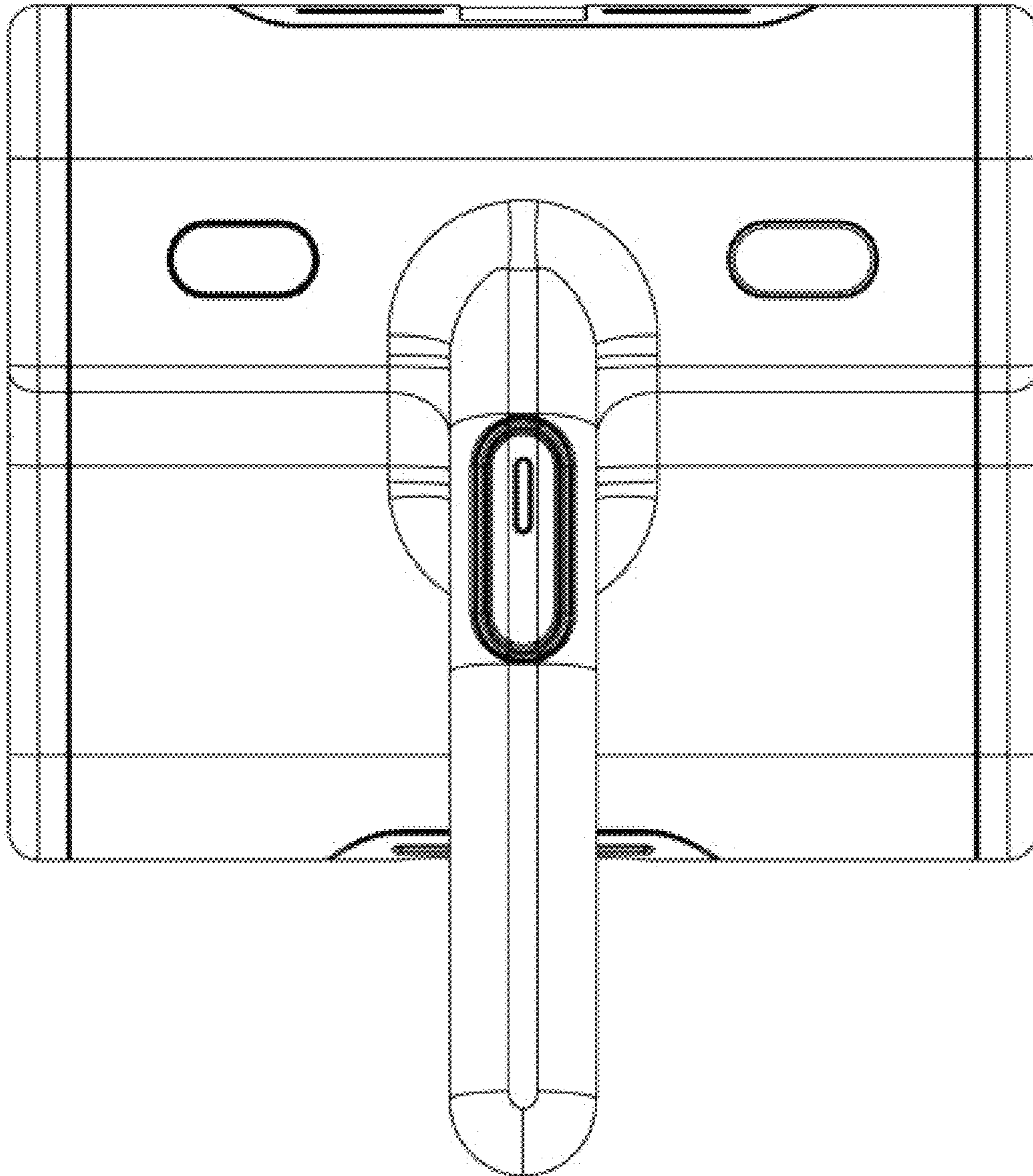
1.1



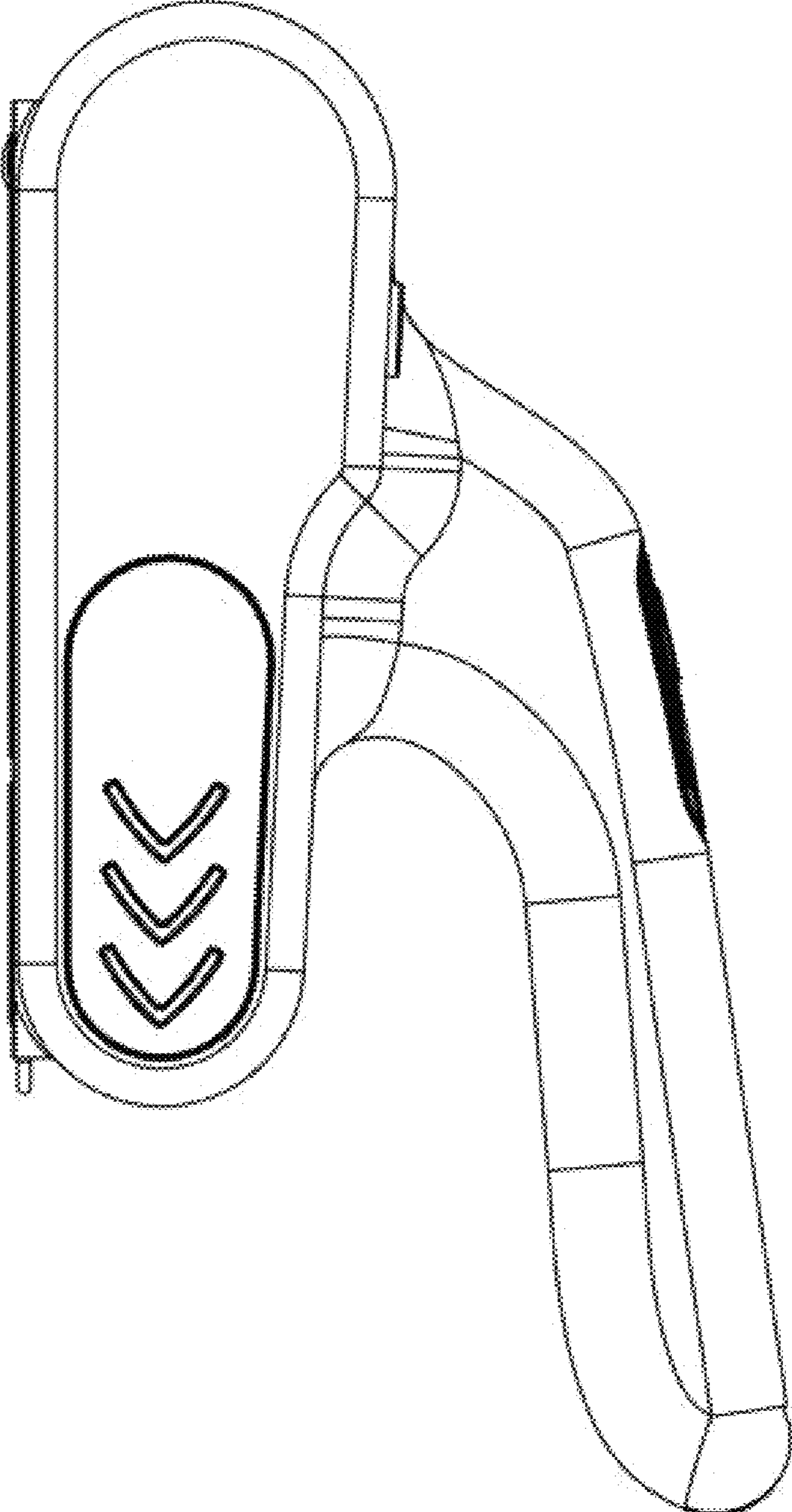
1.2



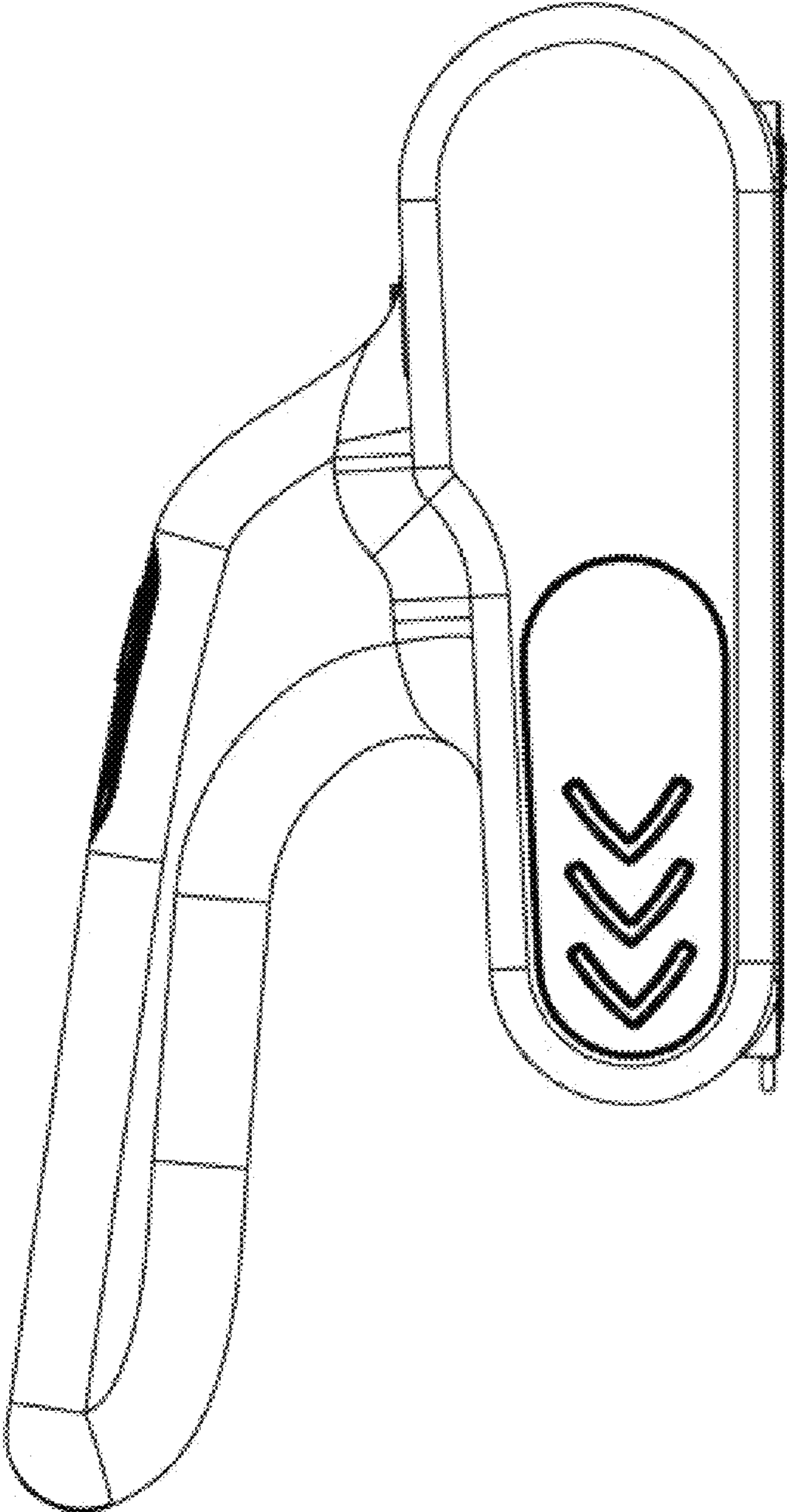
1.3



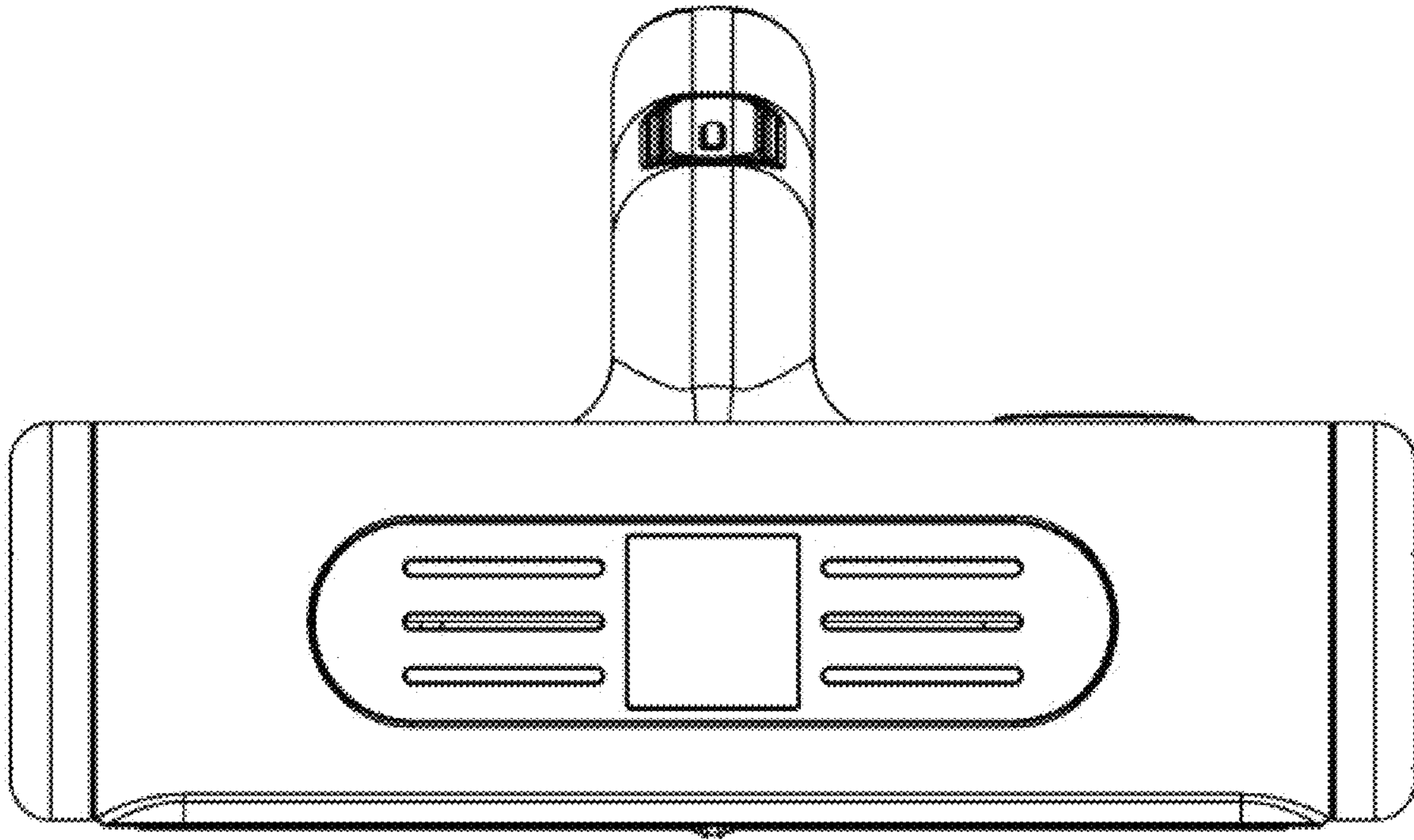
1.4



1.5



1.6



1.7

