



US00D921306S

(12) **United States Design Patent**
Ediger et al.

(10) **Patent No.:** **US D921,306 S**
(45) **Date of Patent:** **** Jun. 1, 2021**

- (54) **FABRIC STEAMER**
- (71) Applicant: **VORNADO AIR, LLC**, Andover, KS (US)
- (72) Inventors: **Glen Wesley Ediger**, North Newton, KS (US); **Brian Cartwright**, Wichita, KS (US)
- (73) Assignee: **Vornado Air, LLC**, Andover, KS (US)
- (**) Term: **15 Years**
- (21) Appl. No.: **29/722,403**
- (22) Filed: **Jan. 29, 2020**
- (51) **LOC (13) Cl.** **15-05**
- (52) **U.S. Cl.**
USPC **D32/17**
- (58) **Field of Classification Search**
USPC D32/17, 18, 31, 35
CPC D06M 11/34; D06F 87/00; A61F 9/0026; D06F 75/30; D06F 75/20; D06F 73/00; D06F 75/26; D06F 75/16; B08B 9/00; B08B 3/00; A61L 2/07; F16L 37/40
See application file for complete search history.

- 4,206,340 A * 6/1980 Osrow D06F 75/16
219/245
- D287,892 S * 1/1987 Rosa D32/17
- D388,562 S * 12/1997 Doria D32/17
- (Continued)

OTHER PUBLICATIONS

Garment steamer <https://www.uline.ca/Product/Detail/H-6551/Garment-Supplies/Jiffy-Esteam-Handheld-Steamer> (Year: 2012).*
(Continued)

Primary Examiner — Michelle E. Wilson
Assistant Examiner — Richard E Yenchesky
(74) *Attorney, Agent, or Firm* — Avyno Law P.C.

(57) **CLAIM**

We claim the ornamental design for a fabric steamer, as shown and described.

DESCRIPTION

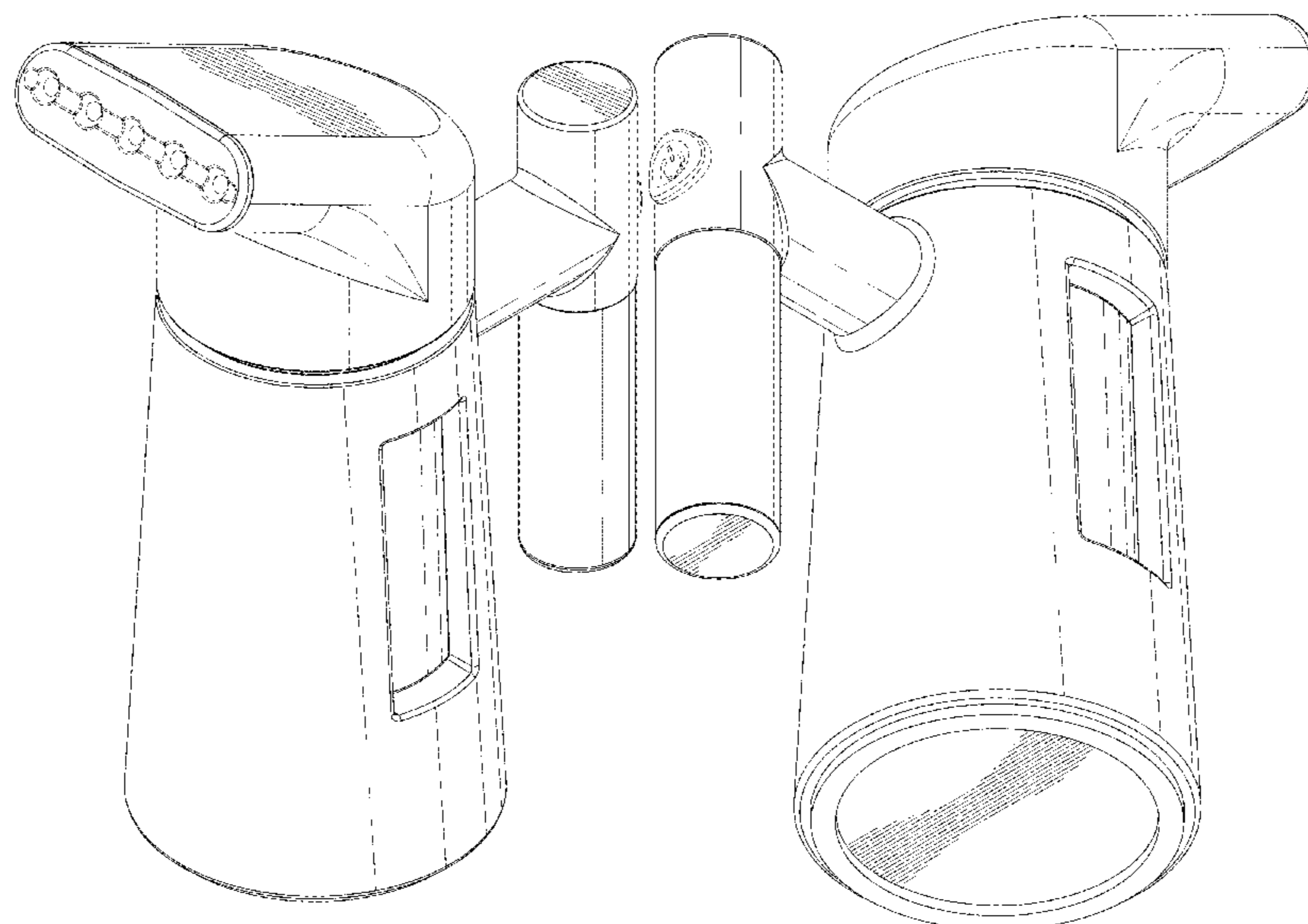
FIG. 1 is a front perspective view of a fabric steamer of the present invention.
FIG. 2 is a bottom perspective view of a fabric steamer of the present invention.
FIG. 3 is a side elevation view of the right side of the fabric steamer of FIG. 1.
FIG. 4 is a side elevation view of the left side of the fabric steamer of FIG. 1.
FIG. 5 is a front elevation view of the fabric steamer of FIG. 1.
FIG. 6 is a rear elevation view of the fabric steamer of FIG. 1.
FIG. 7 is a top plan view of the fabric steamer of FIG. 1; and, FIG. 8 is a bottom plan view of the fabric steamer of FIG. 1.
In the drawings, the broken lines depict portions of the fabric steamer that form no part of the claimed design.

(56) **References Cited**

U.S. PATENT DOCUMENTS

- D150,177 S * 7/1948 Vose D32/17
- D207,632 S * 5/1967 Anderson D32/17
- D219,751 S * 1/1971 Osrow D32/17
- D221,992 S * 9/1971 Bluestein D32/17
- 3,620,055 A * 11/1971 Blachly et al. D06F 75/30
68/222
- 3,654,780 A * 4/1972 Frank D06F 87/00
68/222
- D229,016 S * 11/1973 Plasko D32/17
- D232,802 S * 9/1974 Steinkamp D32/17
- D233,209 S * 10/1974 Terrailon D32/17
- 3,969,607 A * 7/1976 Osrow D06F 87/00
392/335

1 Claim, 7 Drawing Sheets



(56)

References Cited

U.S. PATENT DOCUMENTS

D421,670 S * 3/2000 Schupp D32/17
 6,275,653 B1 * 8/2001 Montipo' B08B 9/00
 392/405
 D465,309 S * 11/2002 Foersterling D32/35
 6,513,269 B2 * 2/2003 Kobayashi D06F 75/20
 38/93
 D473,987 S * 4/2003 Foersterling D32/35
 D481,183 S * 10/2003 Mangano D32/17
 6,986,217 B2 * 1/2006 Leung D06F 73/00
 38/77.83
 D516,759 S * 3/2006 Lam D32/17
 D587,866 S * 3/2009 Mangano D32/17
 D592,366 S * 5/2009 Mangano D32/17
 D598,614 S * 8/2009 Lam D32/17
 7,661,212 B2 * 2/2010 Hahn D06F 75/20
 38/81
 D611,208 S * 3/2010 Lam D32/17
 7,721,474 B2 * 5/2010 Jiang D06F 75/26
 38/77.7
 D620,208 S * 7/2010 Mangano D32/17
 D620,651 S * 7/2010 Enervold D32/17
 D623,363 S * 9/2010 Ediger D32/17
 D634,493 S * 3/2011 Breit D32/17
 D648,494 S * 11/2011 Vrdoljak D32/17
 D674,564 S * 1/2013 Mangano D32/17
 D707,902 S * 6/2014 Mangano D32/17

D716,007 S * 10/2014 Mangano D32/17
 D725,326 S * 3/2015 Spencer D32/17
 D734,575 S * 7/2015 Zeng D32/18
 D753,354 S * 4/2016 Casini D32/17
 D771,331 S * 11/2016 Chaklos D32/17
 D820,540 S * 6/2018 Cartwright D32/31
 D821,668 S * 6/2018 Cartwright D32/31
 D844,263 S * 3/2019 Ediger D32/17
 2005/0125934 A1 * 6/2005 Reese F16L 37/40
 15/320
 2008/0022480 A1 * 1/2008 Lee B08B 3/00
 15/320
 2010/0024492 A1 * 2/2010 Leung D06F 73/00
 68/222
 2010/0269287 A1 * 10/2010 Vrdoljak A61L 2/07
 15/322
 2018/0200106 A1 * 7/2018 Zoumalan A61F 9/0026
 2020/0362505 A1 * 11/2020 Razouki D06M 11/34

OTHER PUBLICATIONS

Handheld garment steamer <https://www.homedepot.com/p/Sharper-Image-Handheld-Garment-Steamer-SI-428/313387149> (Year: 2020).*
 Handheld garment steamer <https://www.walmart.com/ip/Sharper-Image-SI-428-Handheld-Garment-Steamer-for-Clothes-Curtains-Fabric-and-Travel/563077855> (Year: 2020).*

* cited by examiner

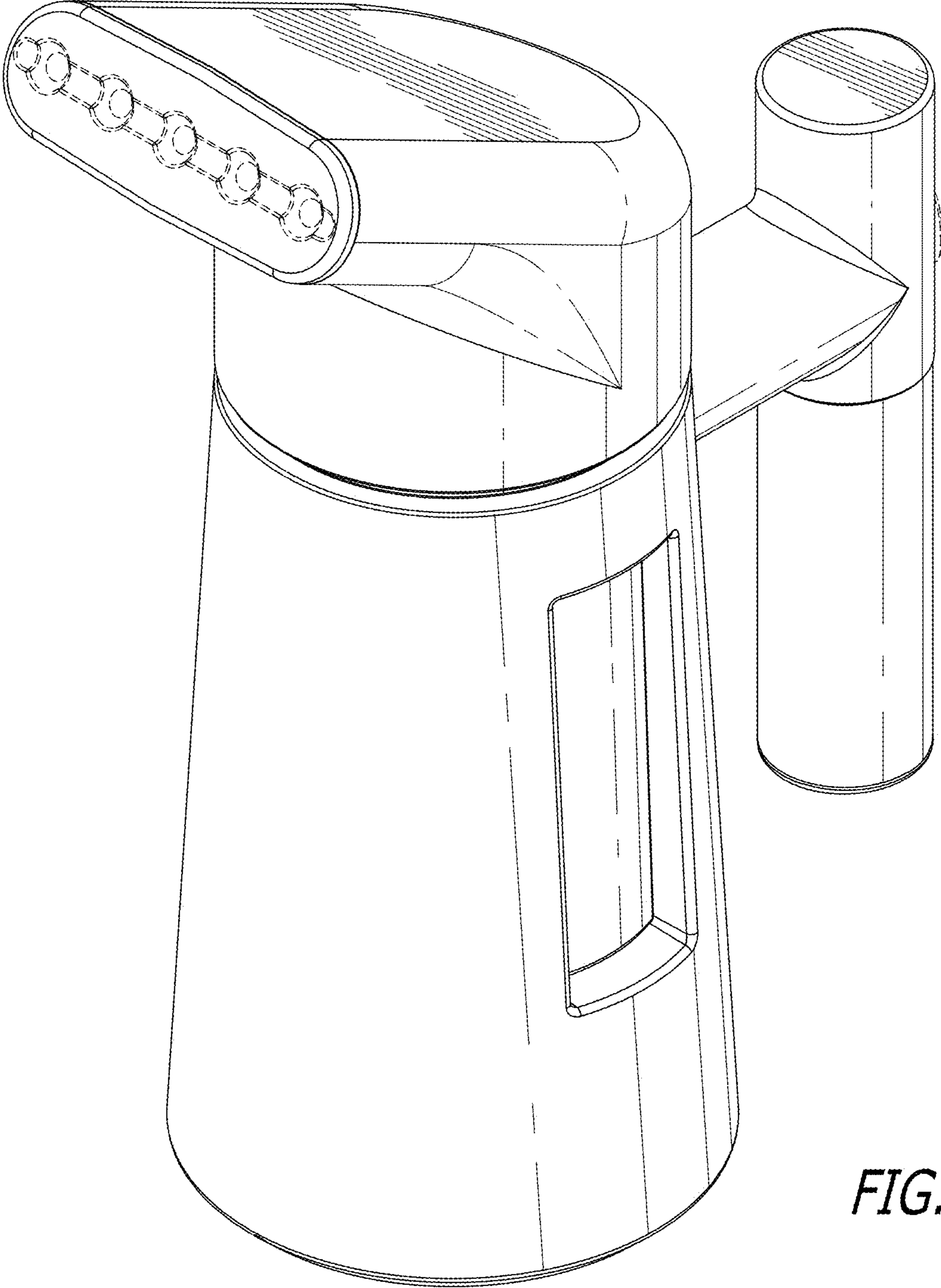
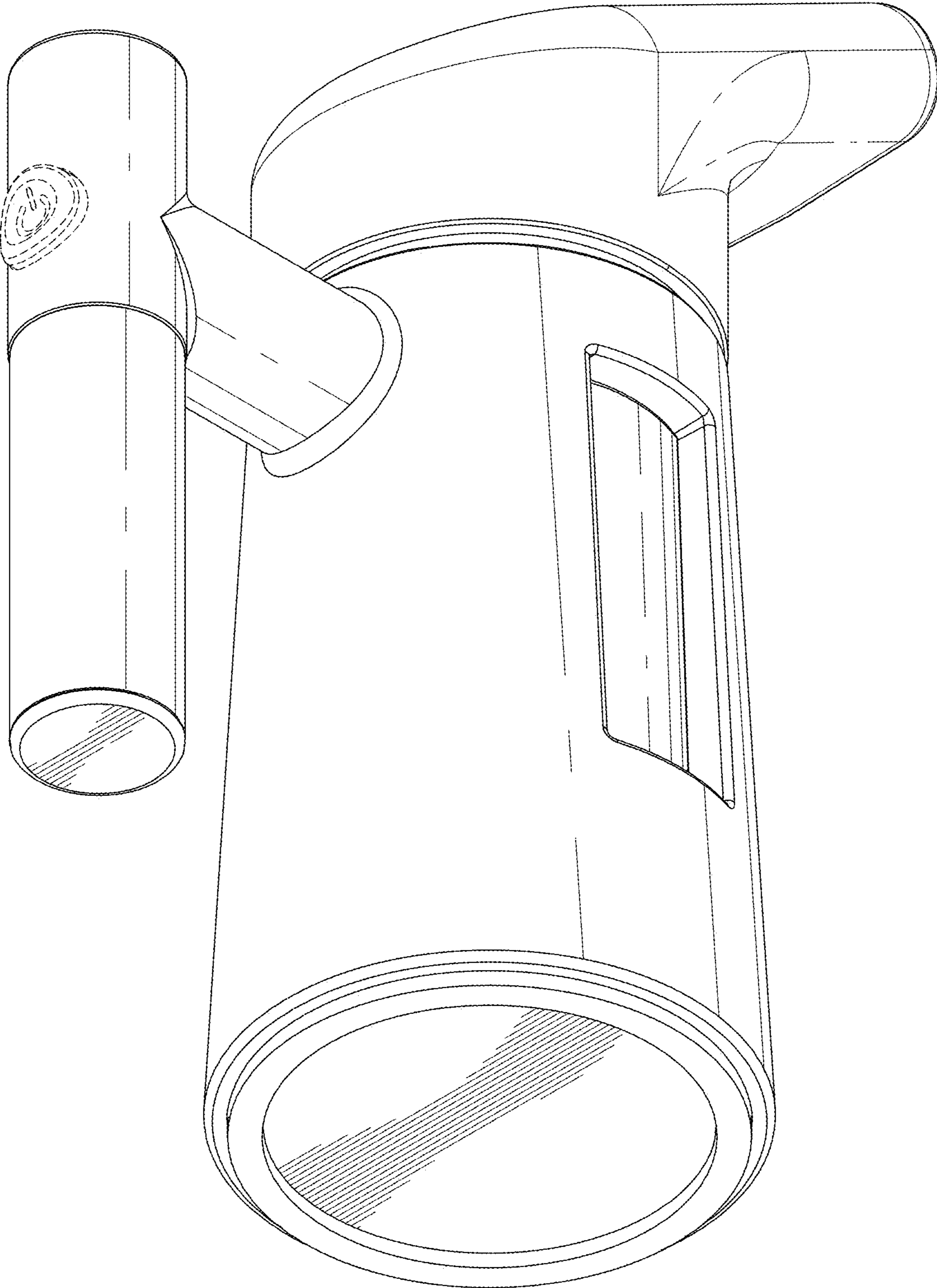


FIG. 1

FIG. 2



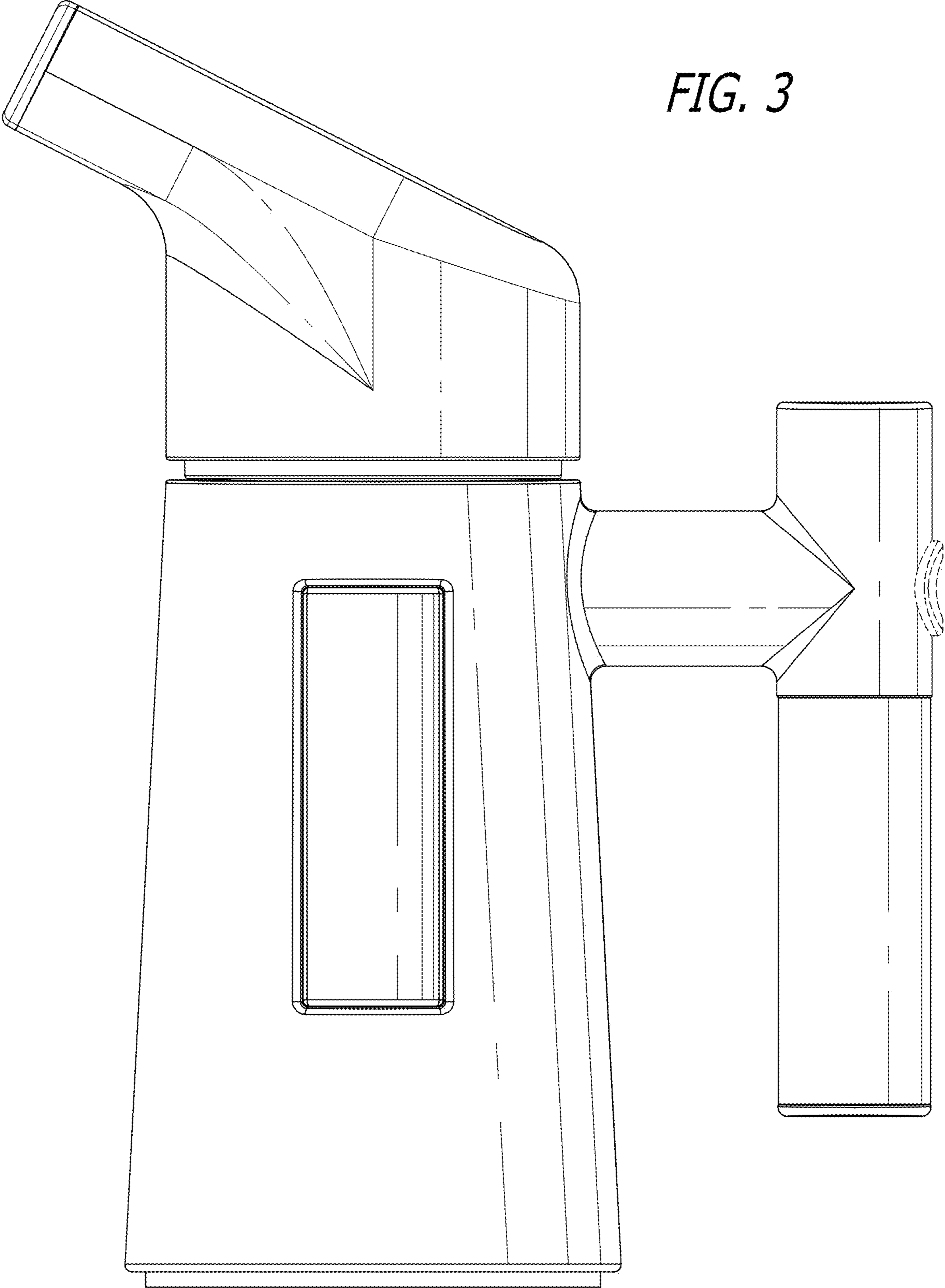


FIG. 3

FIG. 4

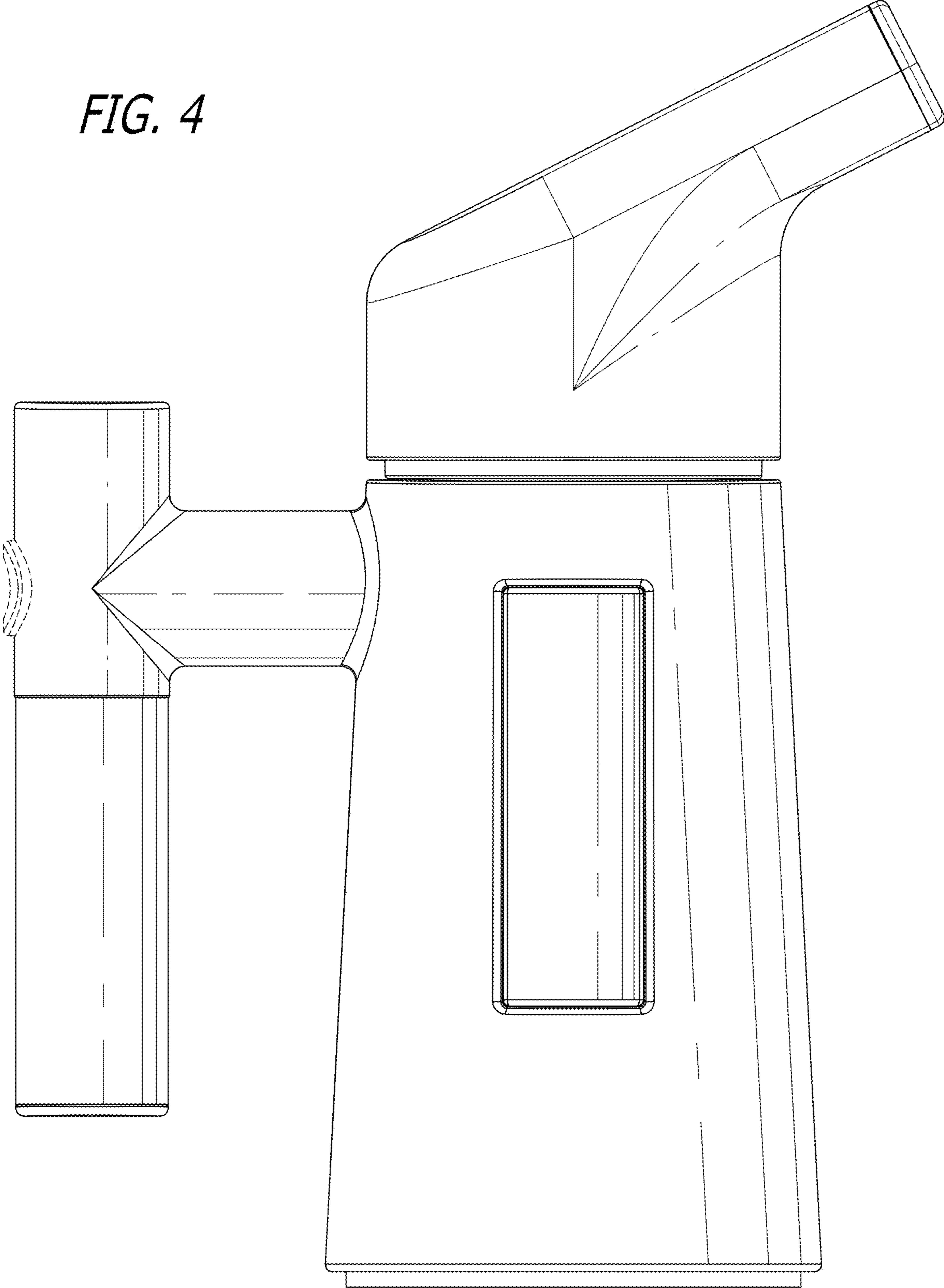


FIG. 5

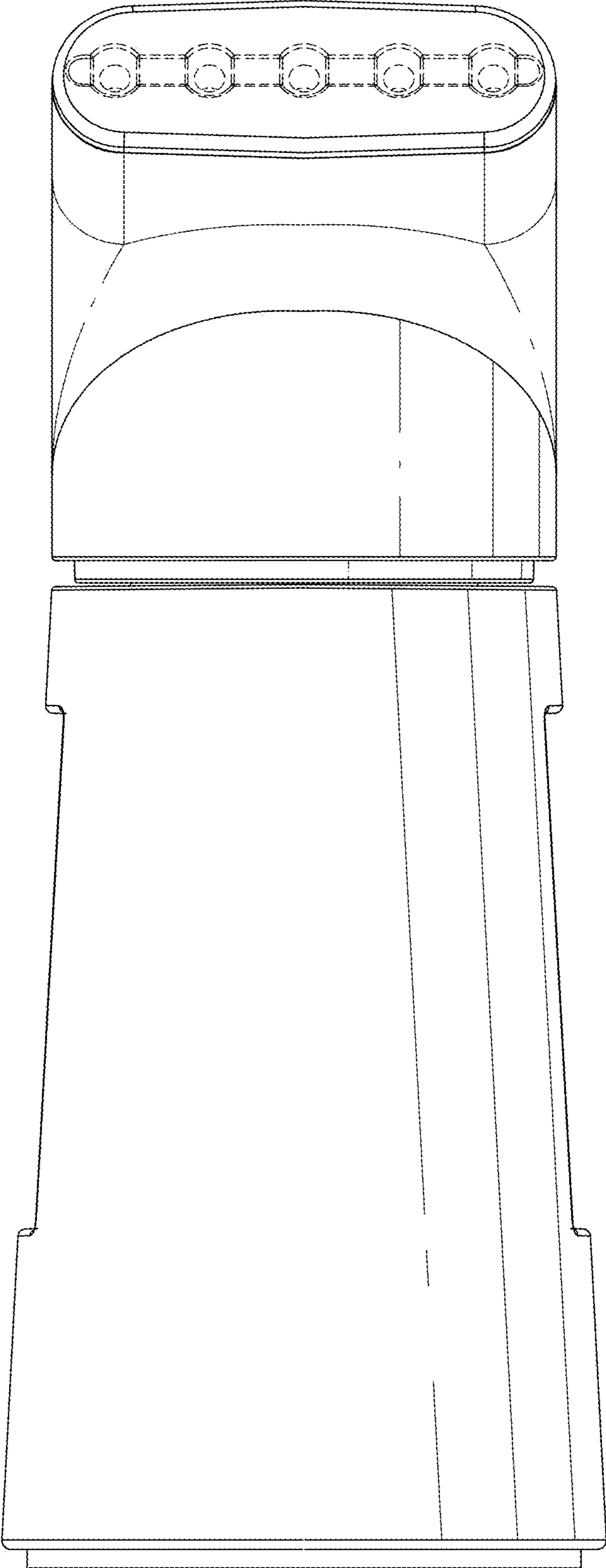


FIG. 6

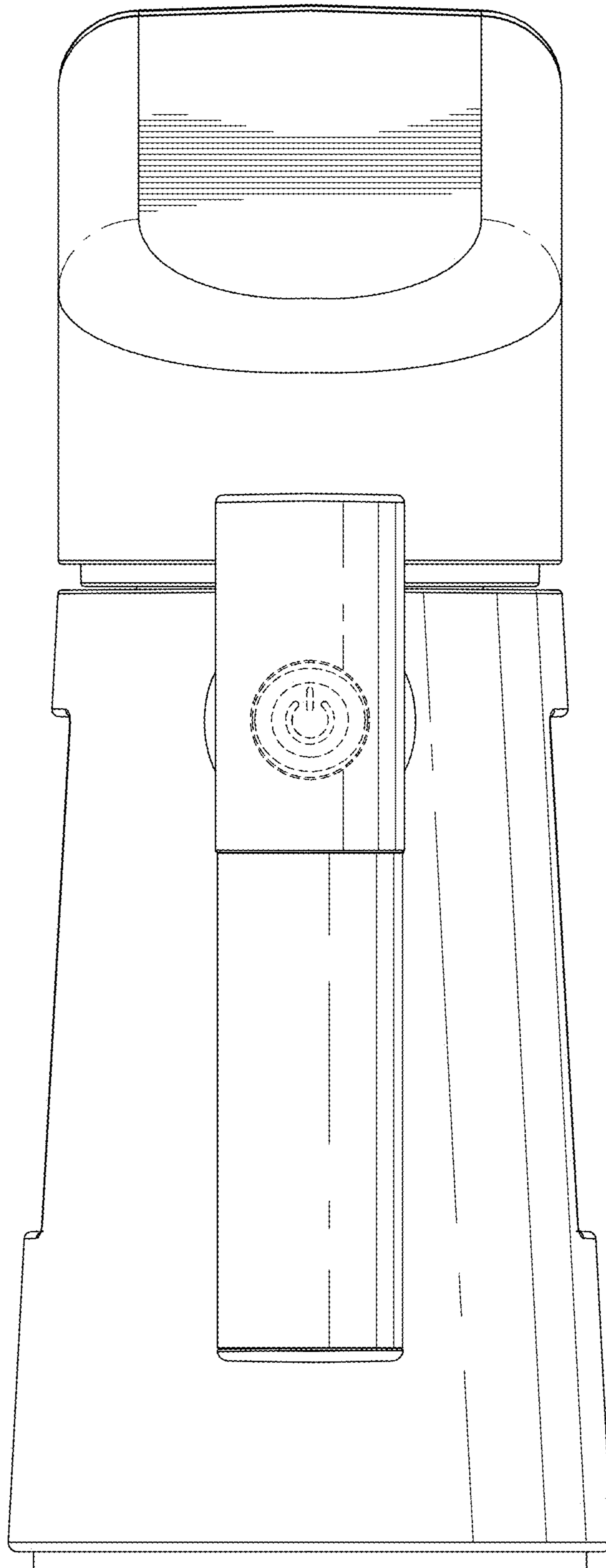


FIG. 7

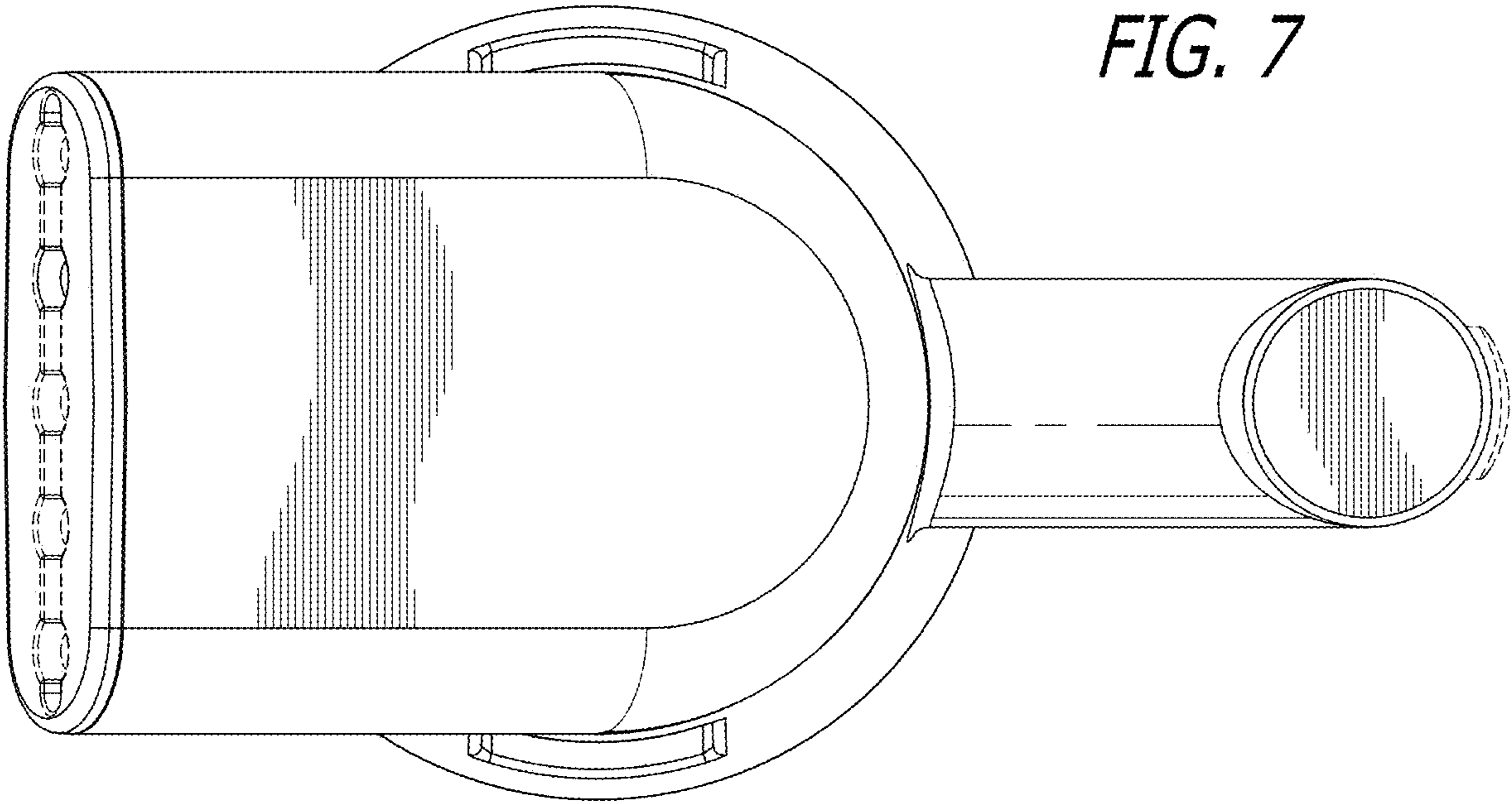


FIG. 8

