



US00D921304S

(12) **United States Design Patent**
Forbes-Brown

(10) **Patent No.:** **US D921,304 S**
(45) **Date of Patent:** **** Jun. 1, 2021**

(54) **TORCH NOZZLE**
(71) Applicant: **Imperial Thermal Engineering Ltd,**
Braintree Essex (GB)

D622,471 S * 8/2010 Hernandez D34/12
7,896,266 B1 * 3/2011 Cooper B05B 15/63
239/754
8,038,413 B2 * 10/2011 Gilpatrick B08B 3/026
417/34

(72) Inventor: **Jonathan Forbes-Brown,** Braintree
Essex (GB)

(Continued)

(73) Assignee: **IMPERIAL THERMAL
ENGINEERING LTD,** Braintree Essex
(GB)

OTHER PUBLICATIONS

<https://www.amazon.com/HOTBOX-filling-machine-rubberized-asphalt/dp/B07D2YWJZ7?th=1> (Year: 2013).*

(**) Term: **15 Years**

Primary Examiner — Manprett S Matharu

Assistant Examiner — Keith J Wilson

(21) Appl. No.: **29/686,955**

(74) *Attorney, Agent, or Firm* — Workman Nydegger

(22) Filed: **Apr. 9, 2019**

(57) **CLAIM**

(30) **Foreign Application Priority Data**

The ornamental design for a torch nozzle, as shown and described.

Oct. 9, 2018 (EM) 005784519-0001
Oct. 9, 2018 (EM) 005784519-0002

DESCRIPTION

(51) **LOC (13) Cl.** **15-05**

FIG. 1 is a first front perspective view of an embodiment of a torch nozzle having a first linkage.

(52) **U.S. Cl.**
USPC **D32/16**

FIG. 2 is a second front perspective view according to the embodiment of FIG. 1.

(58) **Field of Classification Search**
USPC D23/213, 214, 215, 216, 223, 224, 226,
D23/229, 230; D27/121; D32/16, 32
CPC A61H 9/0021; A61H 33/00; B05B 1/00;
B05B 1/14; B05B 1/185; B05B 1/08;
B05B 1/02; B05B 1/26; B05B 12/002;
B05B 1/18; B05B 9/01

FIG. 3 is a third front perspective view according to the embodiment of FIG. 1.

FIG. 4 is a rear perspective view of a second embodiment of a torch nozzle having a second linkage.

FIG. 5 is a first front perspective view of the second embodiment of FIG. 4.

See application file for complete search history.

FIG. 6 is a side perspective view according to the second embodiment of FIG. 4; and,

FIG. 7 is a second front perspective view according to the second embodiment of FIG. 4.

(56) **References Cited**

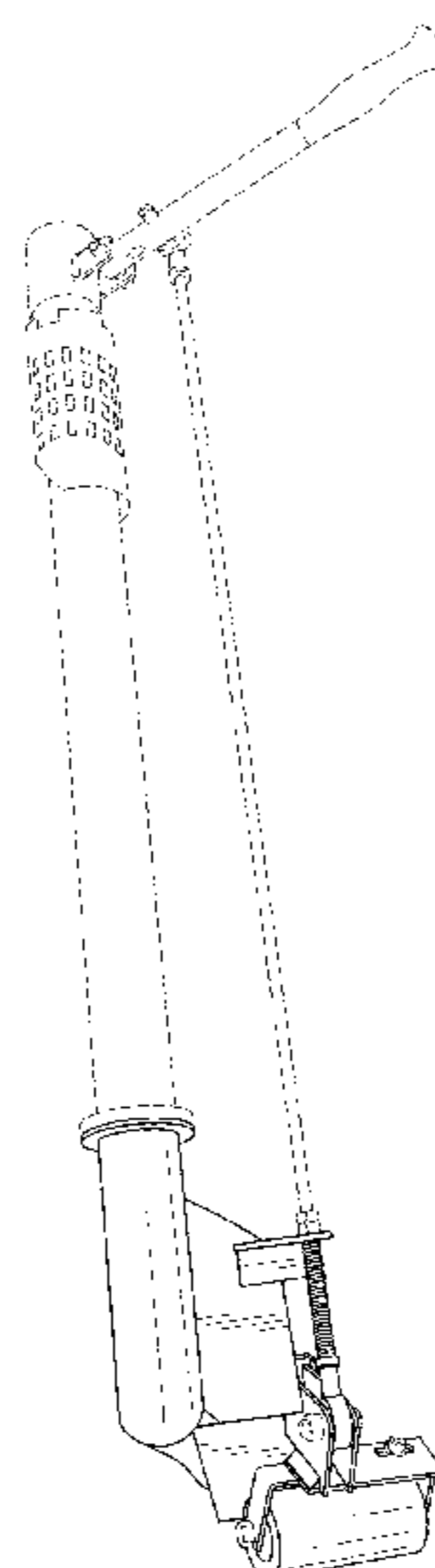
U.S. PATENT DOCUMENTS

5,409,032 A * 4/1995 Berfield B08B 3/026
137/115.03
6,571,805 B2 * 6/2003 Hoenisch B08B 3/026
134/103.2
7,185,834 B1 * 3/2007 Davidson B05B 9/007
239/722

References cited and not applied are considered pertinent to the appearance of the claimed design. This application is in condition for allowance.

The broken lines shown represent portions of a torch nozzle that form no part of the claimed design.

1 Claim, 7 Drawing Sheets



(56)

References Cited

U.S. PATENT DOCUMENTS

8,337,172	B2 *	12/2012	Klika	B05B 9/002 123/41.47
8,590,814	B2 *	11/2013	Gilpatrick	B05B 1/14 239/526
8,727,245	B2 *	5/2014	Hogan	B05B 15/62 239/754
8,814,531	B2 *	8/2014	Raasch	F04F 5/00 417/76
D779,745	S *	2/2017	Weinberg	D32/16
D779,746	S *	2/2017	Weinberg	D32/16
D839,512	S *	1/2019	Bearup	D32/25
10,389,121	B1 *	8/2019	Sherry	H02J 7/35
2007/0056945	A1 *	3/2007	Hammen	B23K 9/26 219/137.43

* cited by examiner

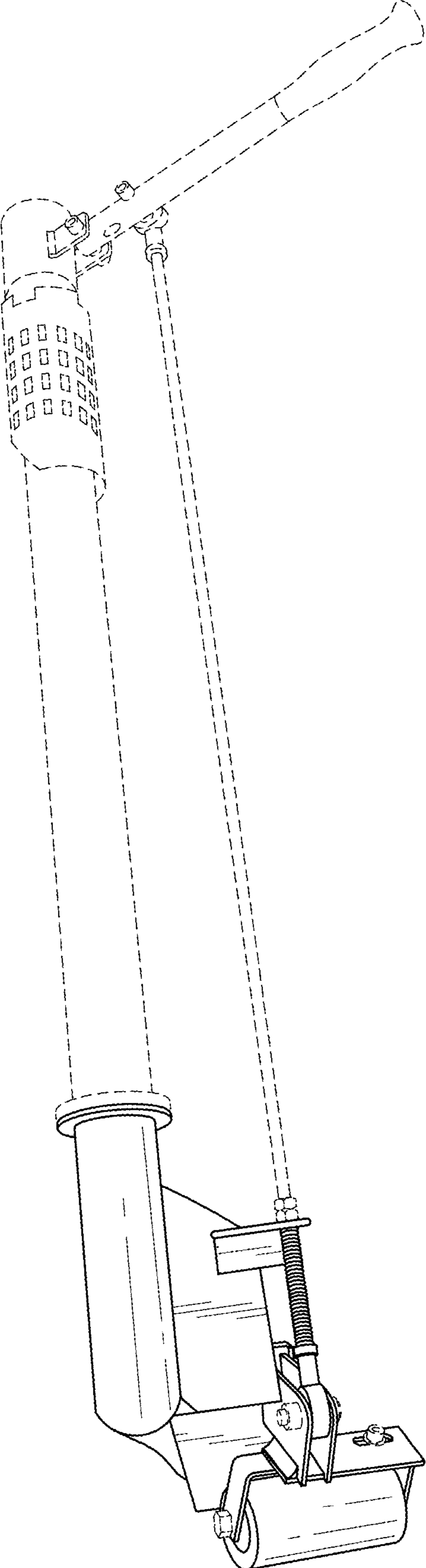


FIG. 1

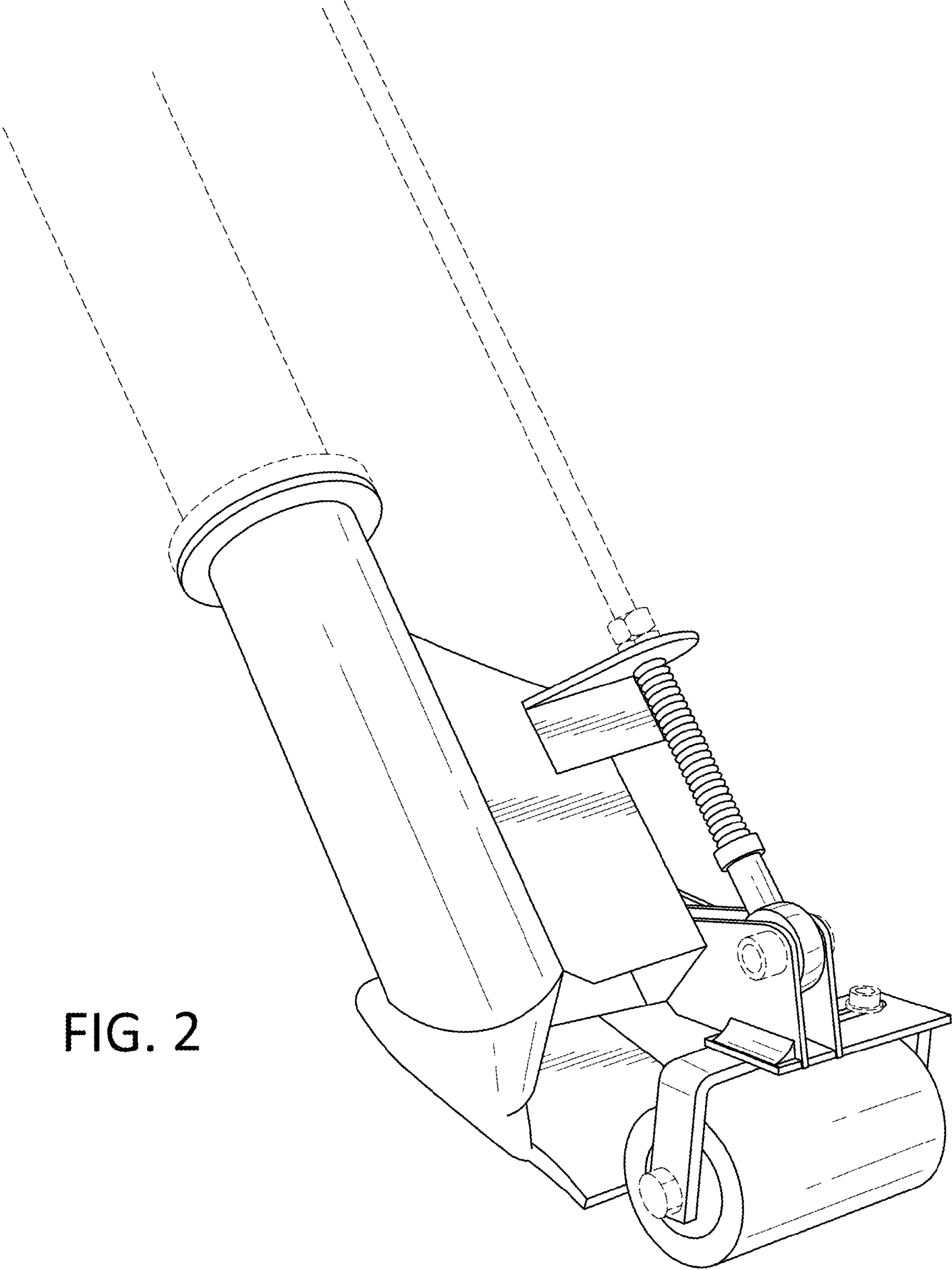
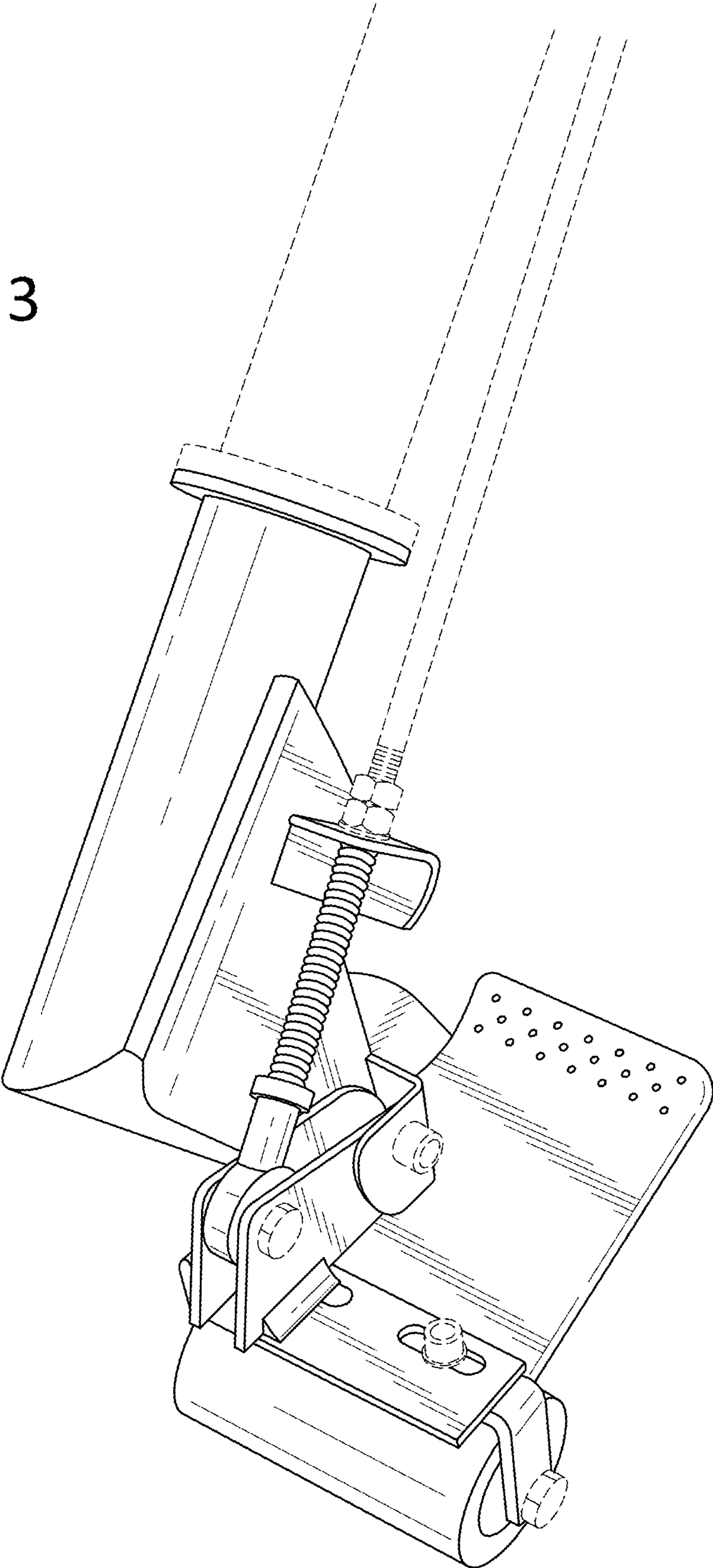


FIG. 2

FIG. 3



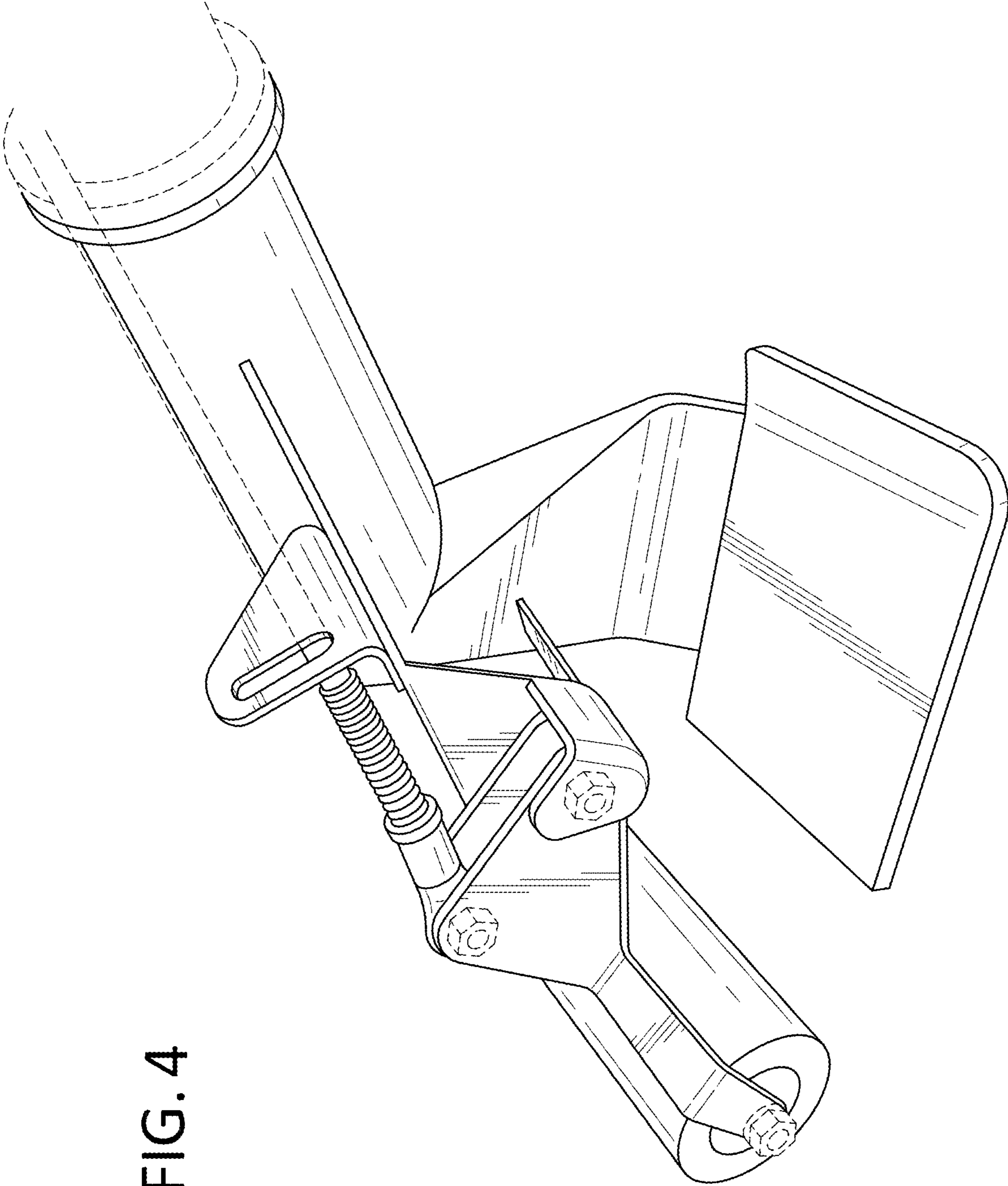


FIG. 4

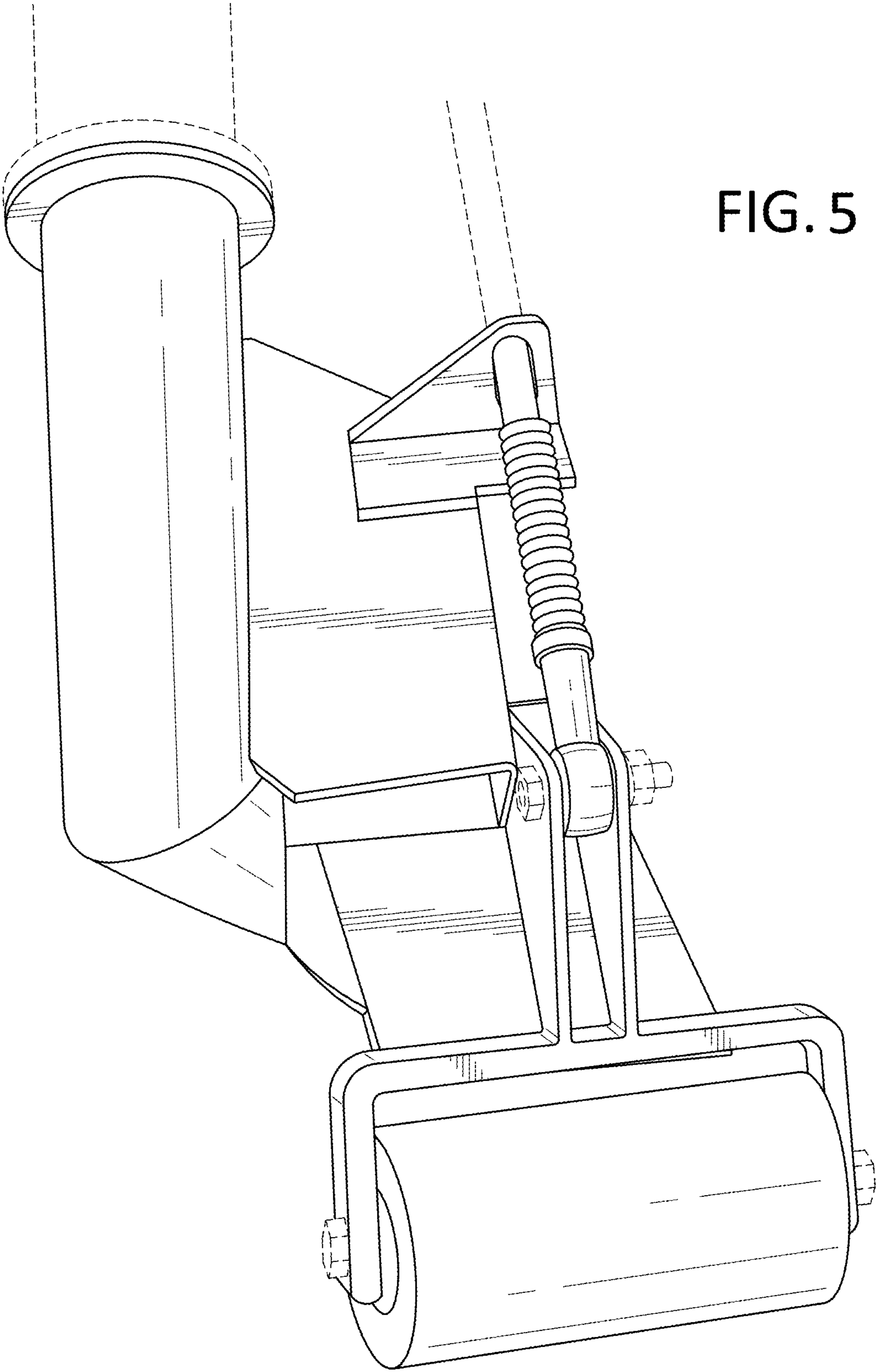


FIG. 5

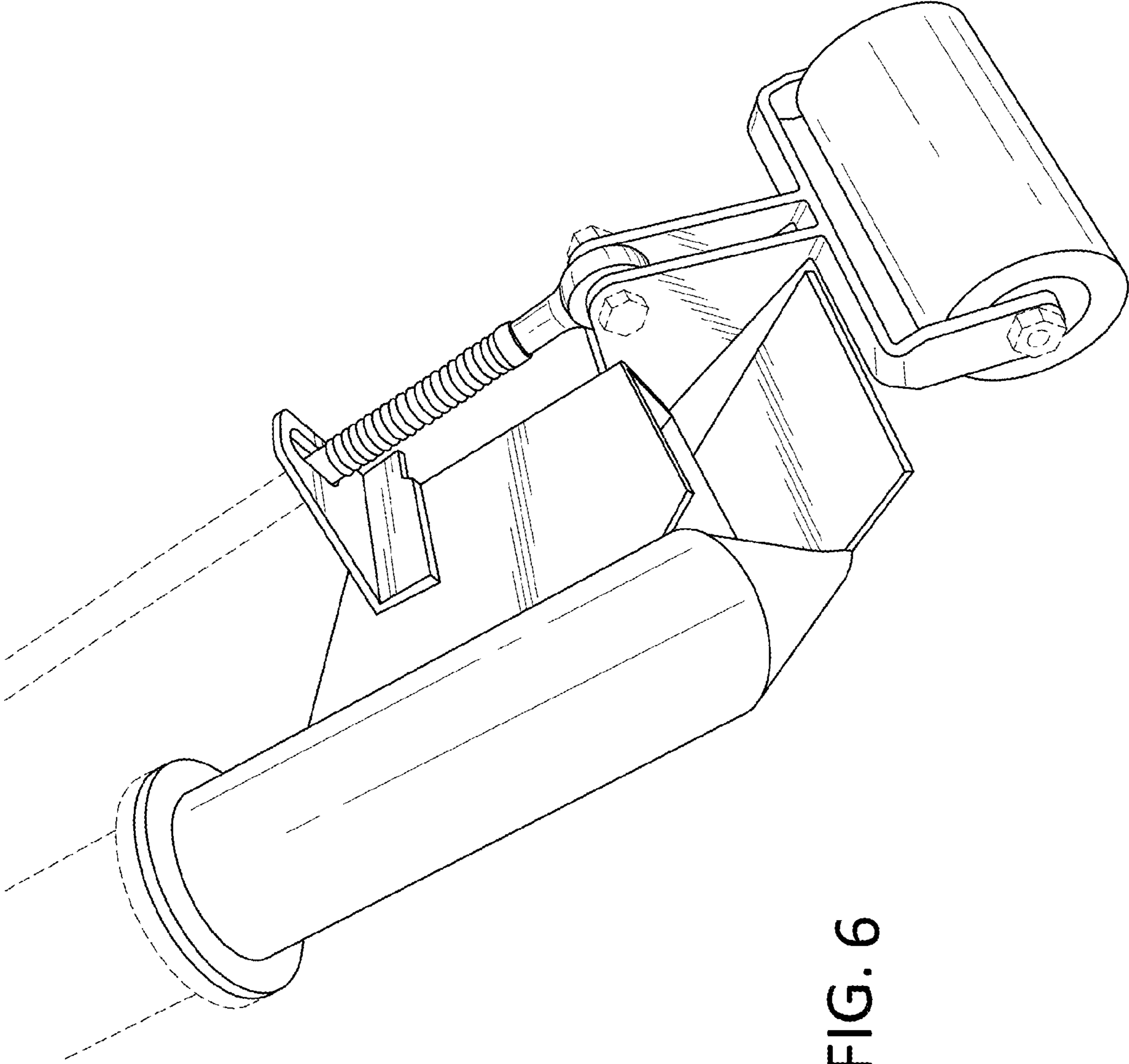


FIG. 6

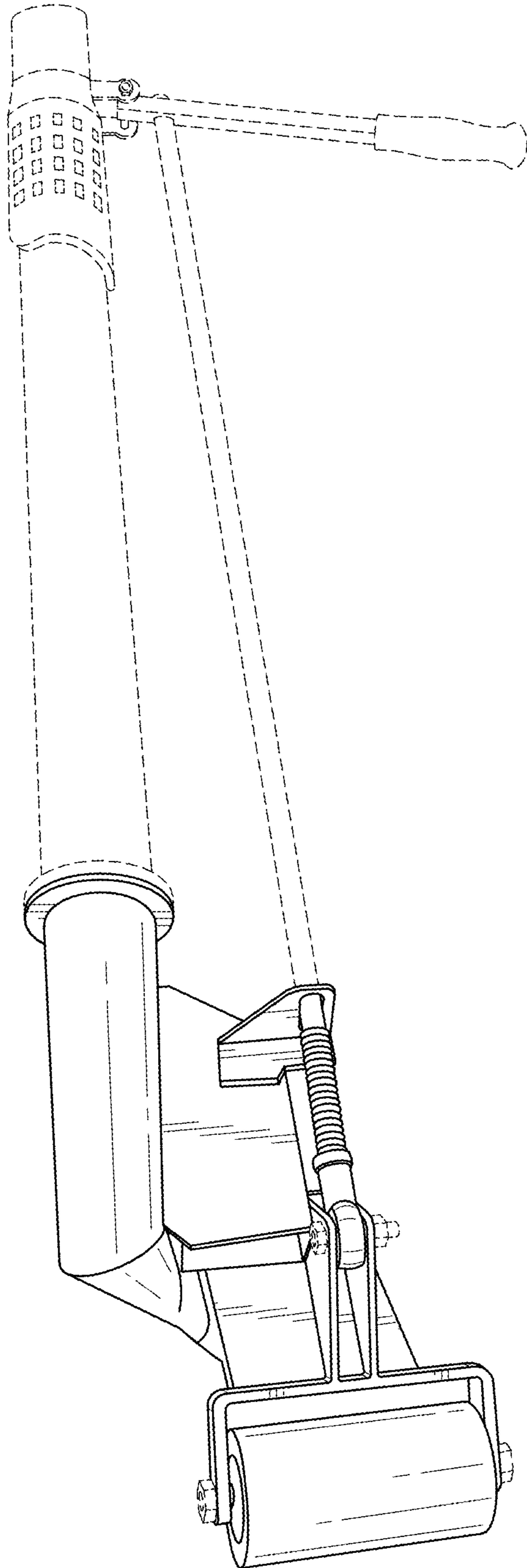


FIG. 7