



US00D921298S

(12) **United States Design Patent**  
**Zhou**

(10) **Patent No.:** **US D921,298 S**

(45) **Date of Patent:** **\*\* Jun. 1, 2021**

- (54) **DENTAL FLOSSER WITH LIGHT**
- (71) Applicant: **Xing Zhou**, Guangzhou (CN)
- (72) Inventor: **Xing Zhou**, Guangzhou (CN)
- (\*\*) Term: **15 Years**
- (21) Appl. No.: **29/691,876**
- (22) Filed: **May 20, 2019**

D671,268 S *	11/2012	Nanda .....	D28/65
D684,724 S *	6/2013	Tokui .....	D28/66
D738,045 S *	9/2015	Lam .....	D28/68

(30) **Foreign Application Priority Data**

Dec. 12, 2018 (CN) ..... 201830718779.X

- (51) **LOC (13) Cl.** ..... **28-03**
- (52) **U.S. Cl.**  
USPC ..... **D28/66**

- (58) **Field of Classification Search**  
USPC ..... D28/65-68; D24/152  
CPC ..... A61C 15/00; A61C 15/04; A61C 15/046;  
A61C 15/047; A61C 15/048  
See application file for complete search history.

(56) **References Cited**

**U.S. PATENT DOCUMENTS**

D313,875 S *	1/1991	Chen .....	D28/68
D323,721 S *	2/1992	Bushberger .....	D28/68
D521,687 S *	5/2006	Jansheski .....	D28/68
D525,392 S *	7/2006	Crossman .....	D28/65
D526,091 S *	8/2006	Winkler .....	D28/65
D531,758 S *	11/2006	Jansheski .....	A61C 15/046 D28/68
D533,965 S *	12/2006	Chodorow .....	D28/68
D539,479 S *	3/2007	Berry Pitts .....	D28/68
D637,762 S *	5/2011	Nanda .....	D28/65

**OTHER PUBLICATIONS**

Guangzhou T.K. Medical Instrument Co., Decision to Grant, JP2019-010754, dated Oct. 23, 2019, 1 pg.  
 Guangzhou T.K. Medical Instrument Co., Examination Opinions, TW108302650, dated Nov. 18, 2019, 6 pgs.

\* cited by examiner

*Primary Examiner* — Zenia I Bennett

(74) *Attorney, Agent, or Firm* — Morgan, Lewis & Bockius LLP

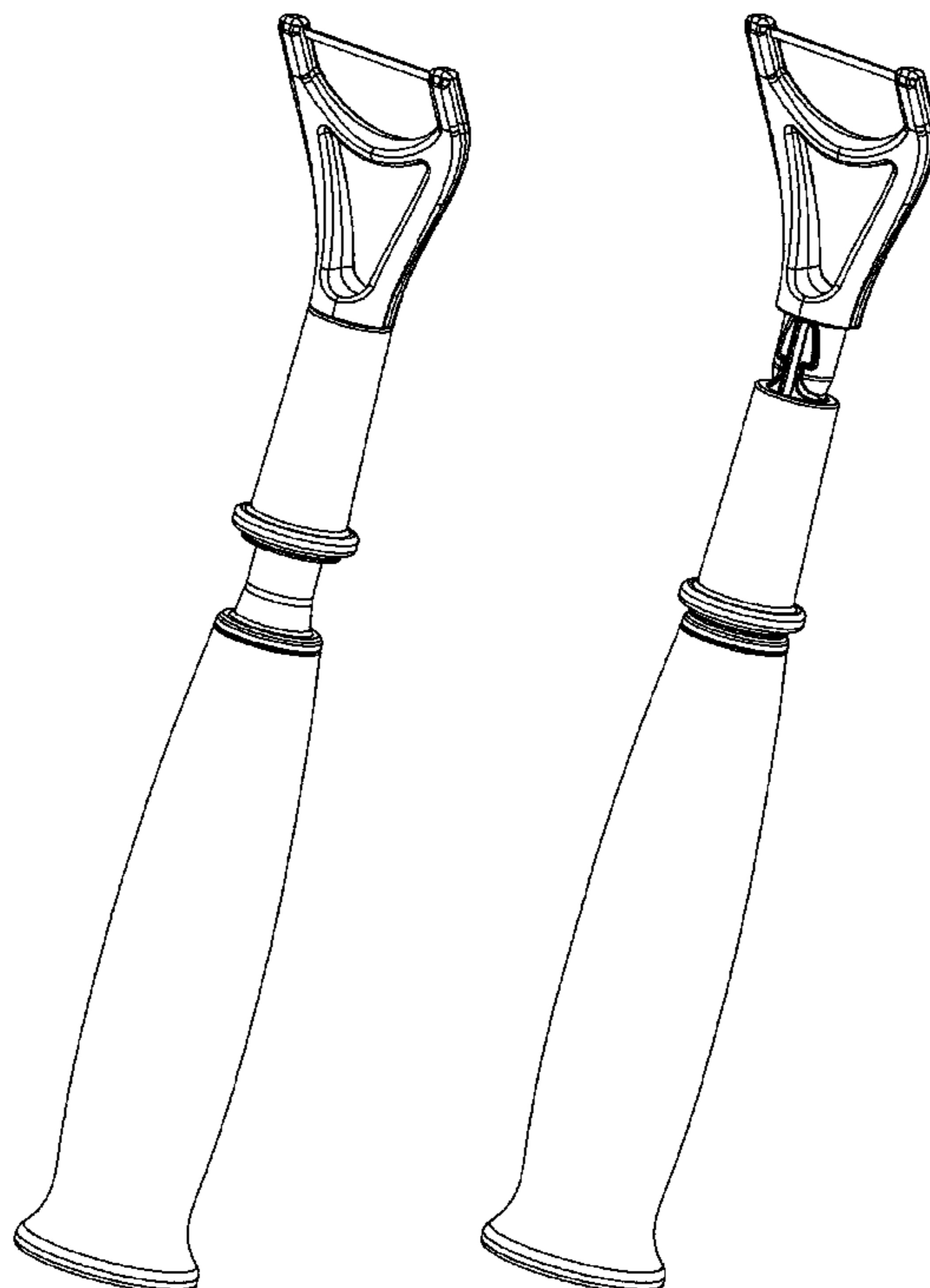
(57) **CLAIM**

The ornamental design for a dental flosser with light, as shown and described.

**DESCRIPTION**

FIG. 1 is a first side view of a dental flosser with light; FIG. 2 is a second side view of the design of FIG. 1; FIG. 3 is a third side view of the design of FIG. 1; FIG. 4 is a fourth side view of the design of FIG. 1; FIG. 5 is a top view of the design of FIG. 1; FIG. 6 is a bottom view of the design of FIG. 1; FIG. 7 is a perspective view of the design of FIG. 1; and, FIG. 8 is a perspective view of the design of FIG. 1 showing parts in an alternative position.  
 The broken lines shown in the drawings represent portions of the dental flosser with light that form no part of the claimed design.

**1 Claim, 8 Drawing Sheets**



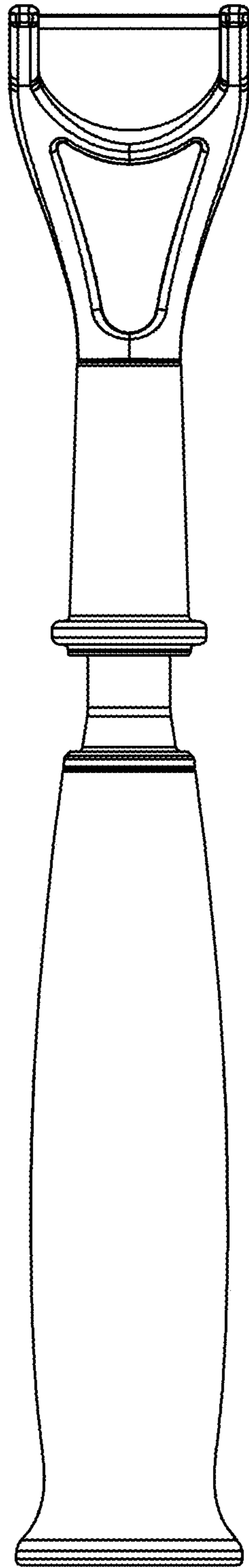
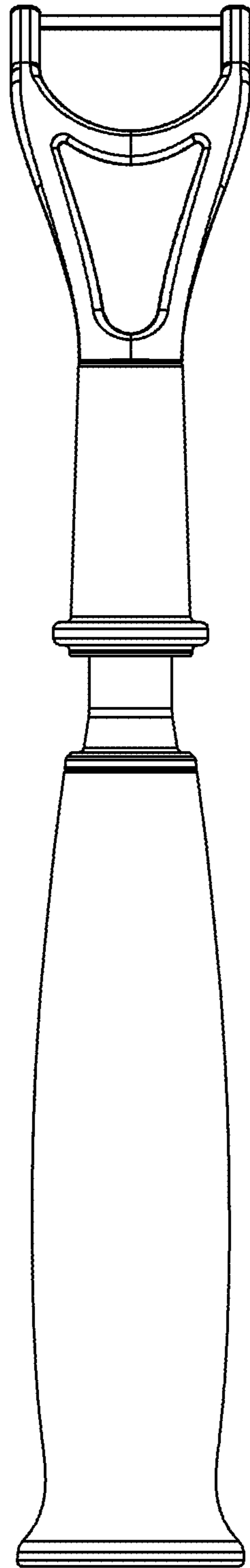


Figure 1



**Figure 2**

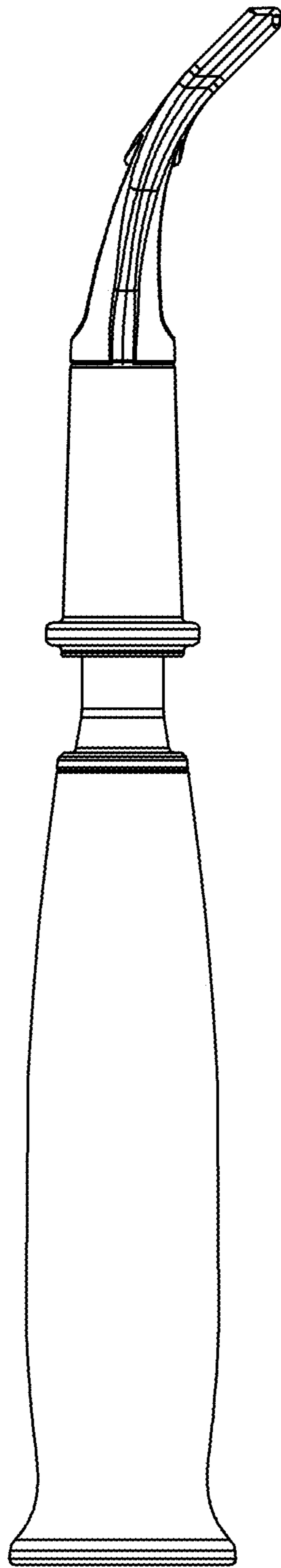


Figure 3

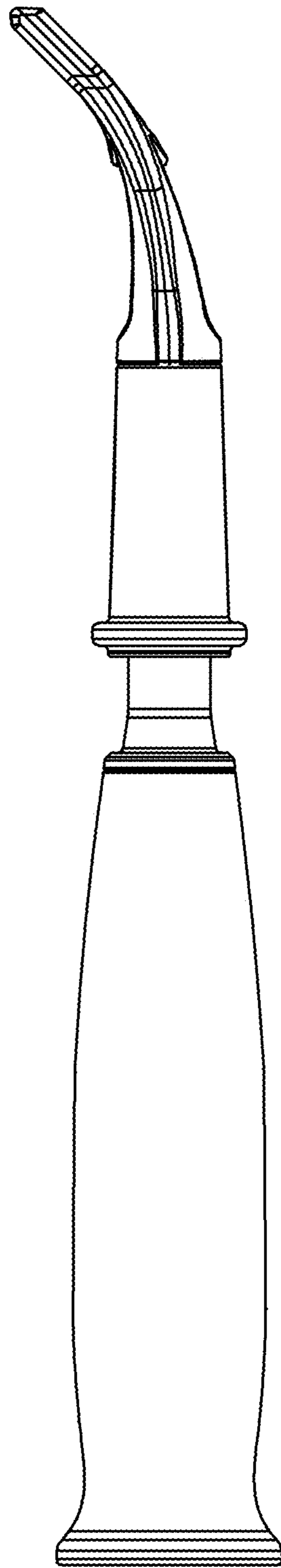
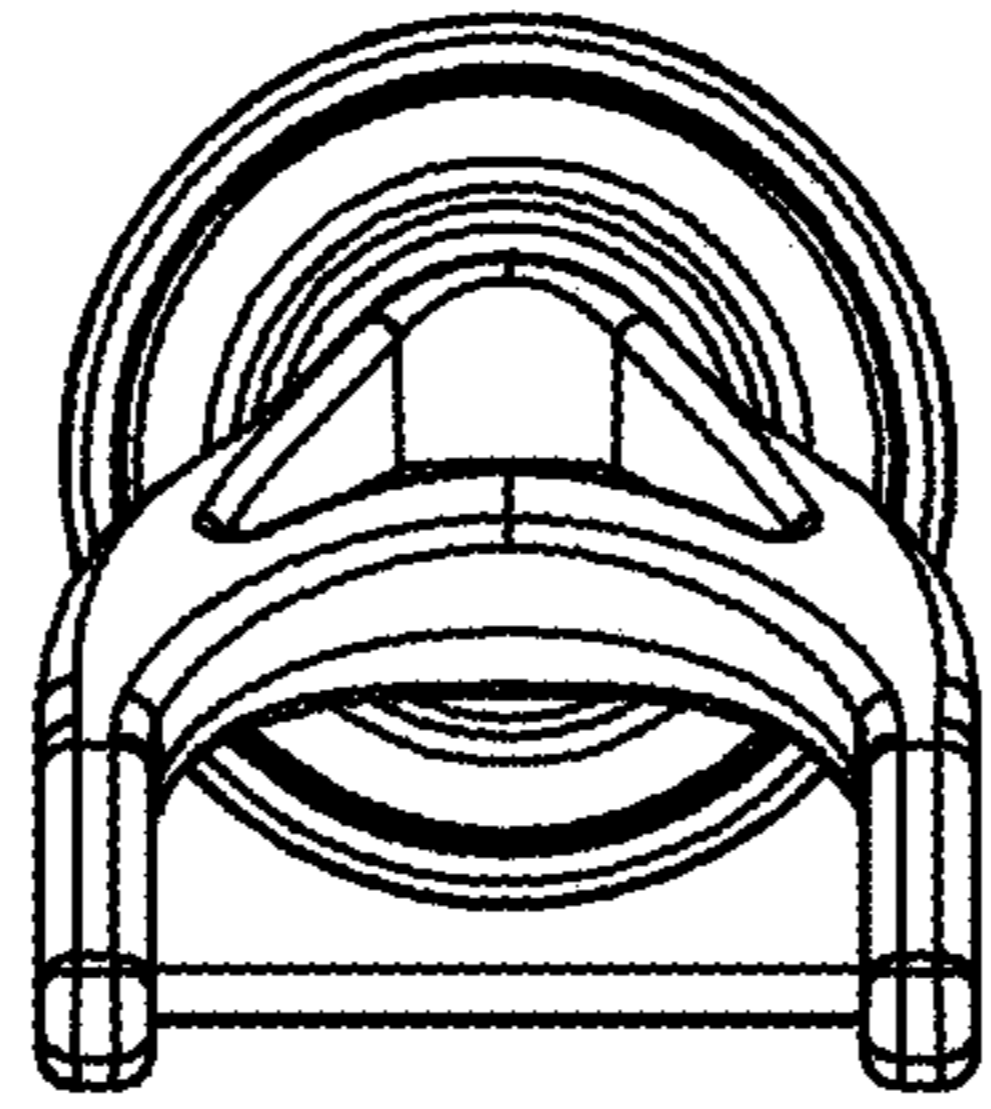
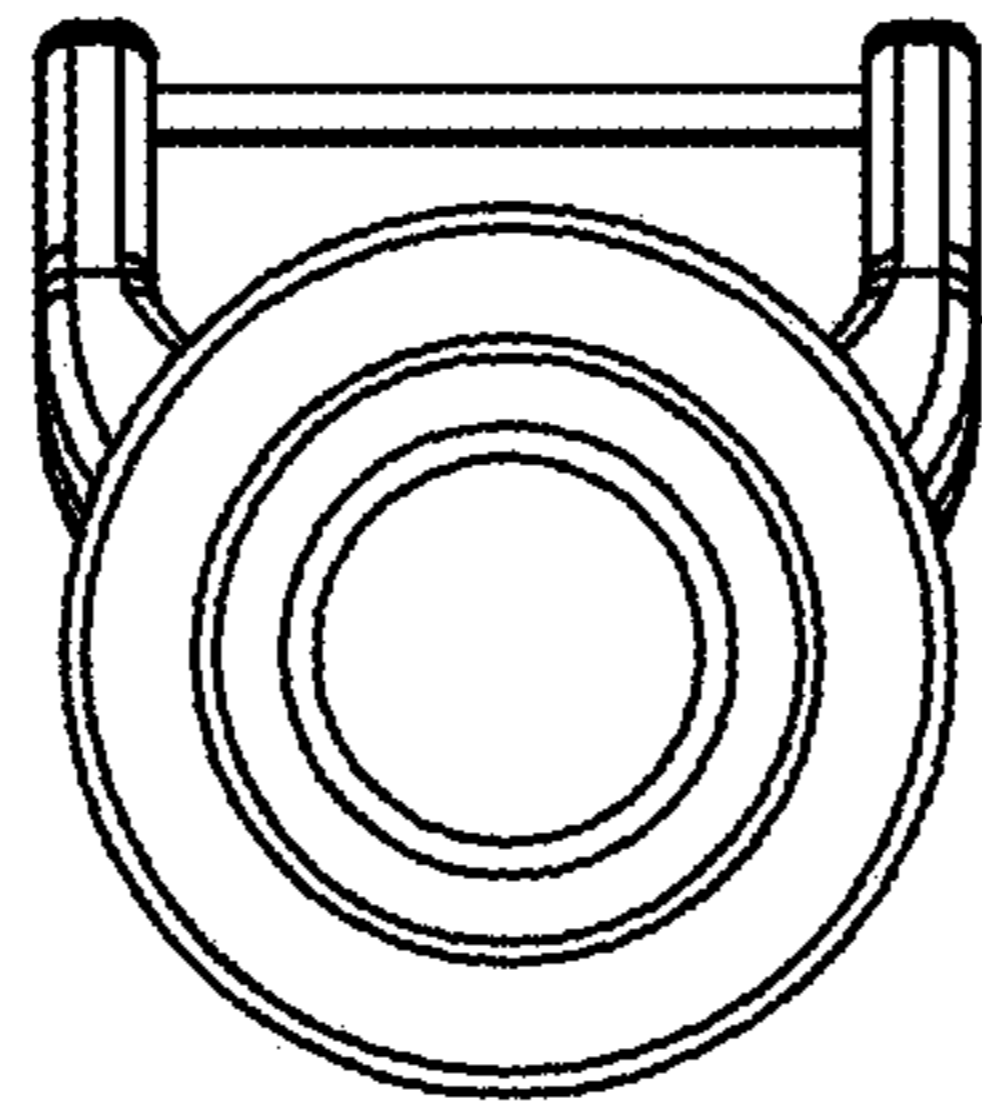


Figure 4



**Figure 5**



**Figure 6**

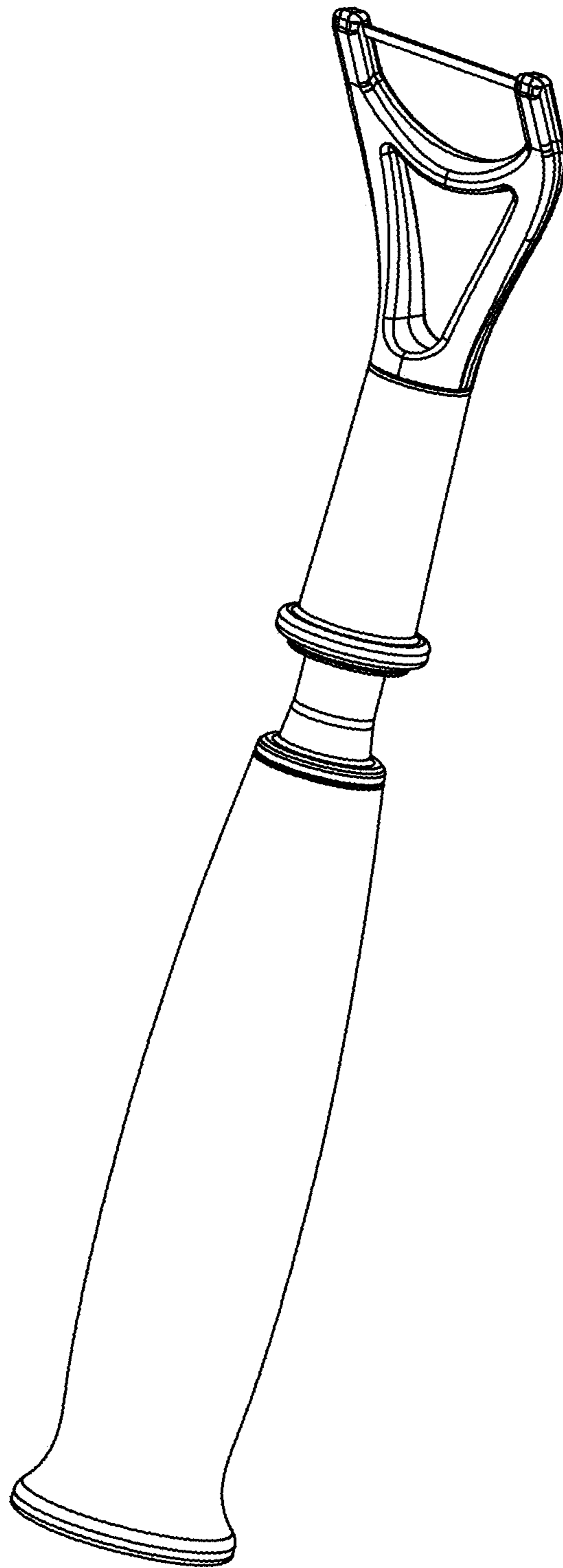


Figure 7



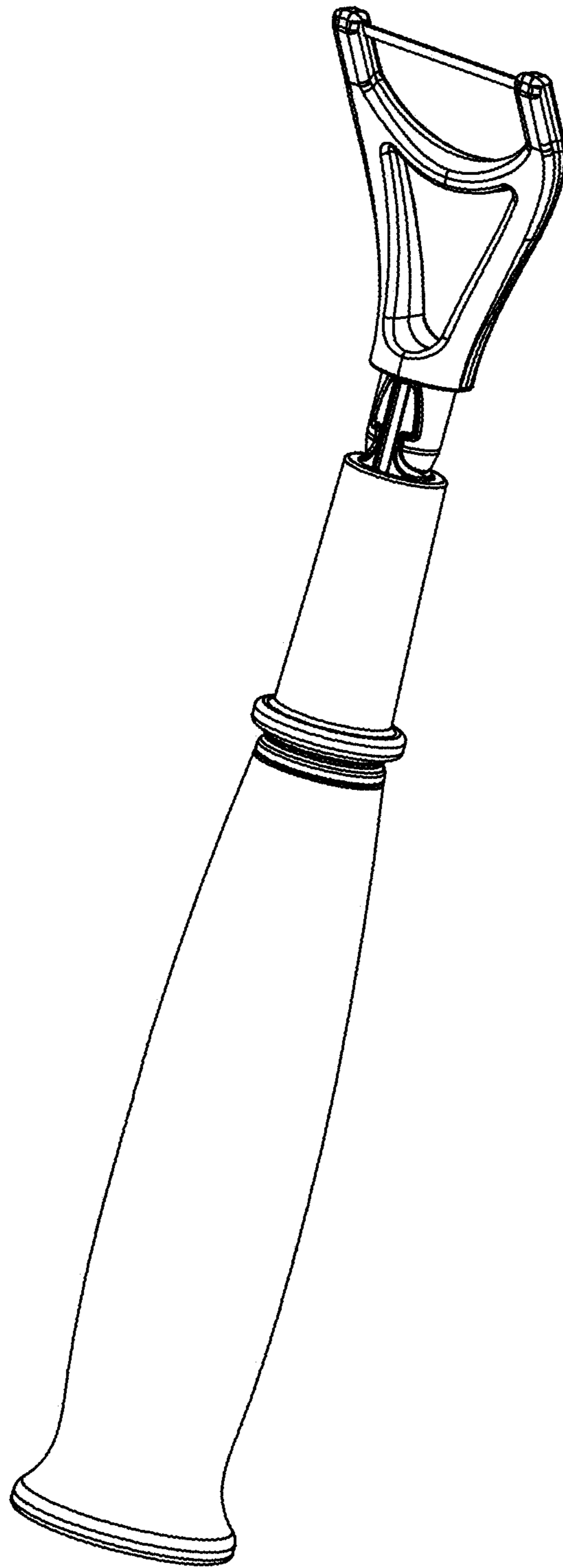


Figure 8