



US00D921297S

(12) **United States Design Patent**
Papadopoulos et al.

(10) **Patent No.:** **US D921,297 S**

(45) **Date of Patent:** **** Jun. 1, 2021**

(54) **WALL-MOUNTABLE BACK SCRUBBING
PAD ASSEMBLY**

(71) Applicants: **Dimitrios Papadopoulos**, Richmond
Hill, NY (US); **Emmanuel Petrakis**,
Whitestone, NY (US)

(72) Inventors: **Dimitrios Papadopoulos**, Richmond
Hill, NY (US); **Emmanuel Petrakis**,
Whitestone, NY (US)

(**) Term: **15 Years**

(21) Appl. No.: **29/660,461**

(22) Filed: **Aug. 21, 2018**

(51) **LOC (13) Cl.** **28-03**

(52) **U.S. Cl.**
USPC **D28/63**

(58) **Field of Classification Search**
USPC D28/7, 63; D4/199, 130, 132, 133, 134,
D4/136, 116; D24/211, 214, 215;
D32/40, 42, 57, 35; 15/244.1, 244.4
CPC . A47K 7/00; A47K 7/02; A47K 7/024; A47K
7/04; A46B 2200/1006; A46B 9/005;
A46B 9/028; A46B 9/02; A46B 2200/102
See application file for complete search history.

(56) **References Cited**

U.S. PATENT DOCUMENTS

- 1,930,441 A * 10/1933 Miller A47L 13/16
15/244.4
- 2,313,787 A * 3/1943 Vaughn A47L 13/257
15/244.1
- 2,695,416 A * 11/1954 Raimo A46B 17/04
15/106
- 4,203,857 A * 5/1980 Dugan C11D 17/049
15/104.93

- D292,449 S * 10/1987 Anderson D30/158
- 6,902,338 B2 * 6/2005 Puwada A47K 7/03
401/201
- 7,096,519 B2 * 8/2006 Ferreri A47K 3/281
4/559
- 9,016,501 B2 * 4/2015 Hara B65D 51/28
220/230
- D807,664 S * 1/2018 Cohen D6/536
- 9,907,440 B2 * 3/2018 McClean A47K 7/03
- D845,667 S * 4/2019 Krause D6/553
- D861,270 S * 9/2019 Catania D32/40
- D869,805 S * 12/2019 Catania D32/40
- 2007/0267042 A1 * 11/2007 Menzies B08B 3/10
134/6
- 2017/0303748 A1 * 10/2017 Guinovart A45D 40/00
- 2018/0103808 A1 * 4/2018 Cheong A61H 15/00

* cited by examiner

Primary Examiner — Karen E Eldridge Powers

(74) *Attorney, Agent, or Firm* — Lawrence G. Fridman,
ESQ; Feigin & Fridman, LLC

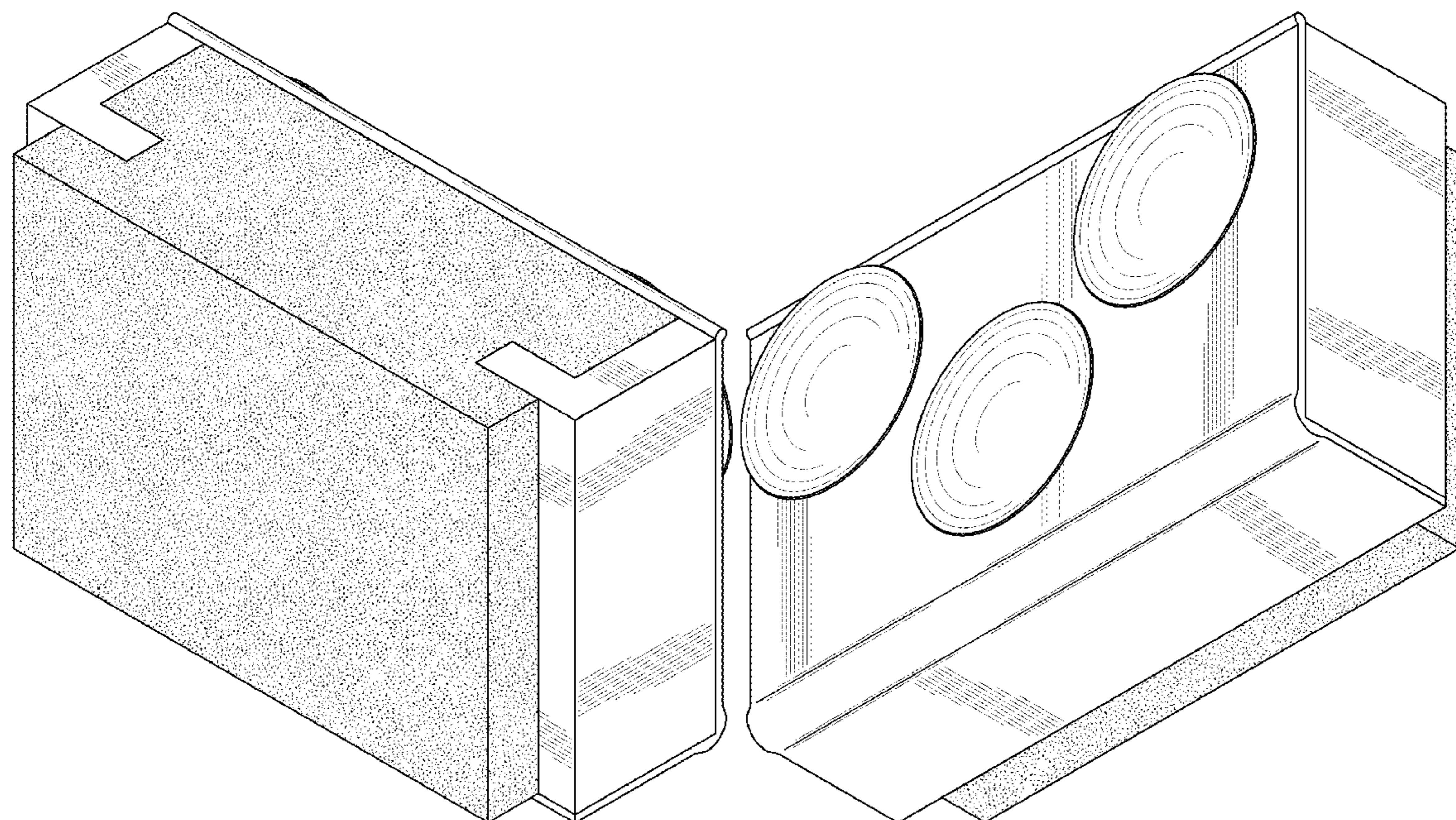
(57) **CLAIM**

The ornamental design for a wall-mountable back scrubbing
pad assembly, as shown and described.

DESCRIPTION

FIG. 1 is a front perspective view of a wall-mountable back
scrubbing pad assembly showing my new design;
FIG. 2 is a rear perspective view thereof;
FIG. 3 is a front elevational view thereof;
FIG. 4 is a top plan view thereof;
FIG. 5 is a rear elevational view thereof;
FIG. 6 is a bottom plan view thereof; and,
FIG. 7 is one side elevation view thereof; and (another side
elevation view thereof is a mirror image of FIG. 7).

1 Claim, 5 Drawing Sheets



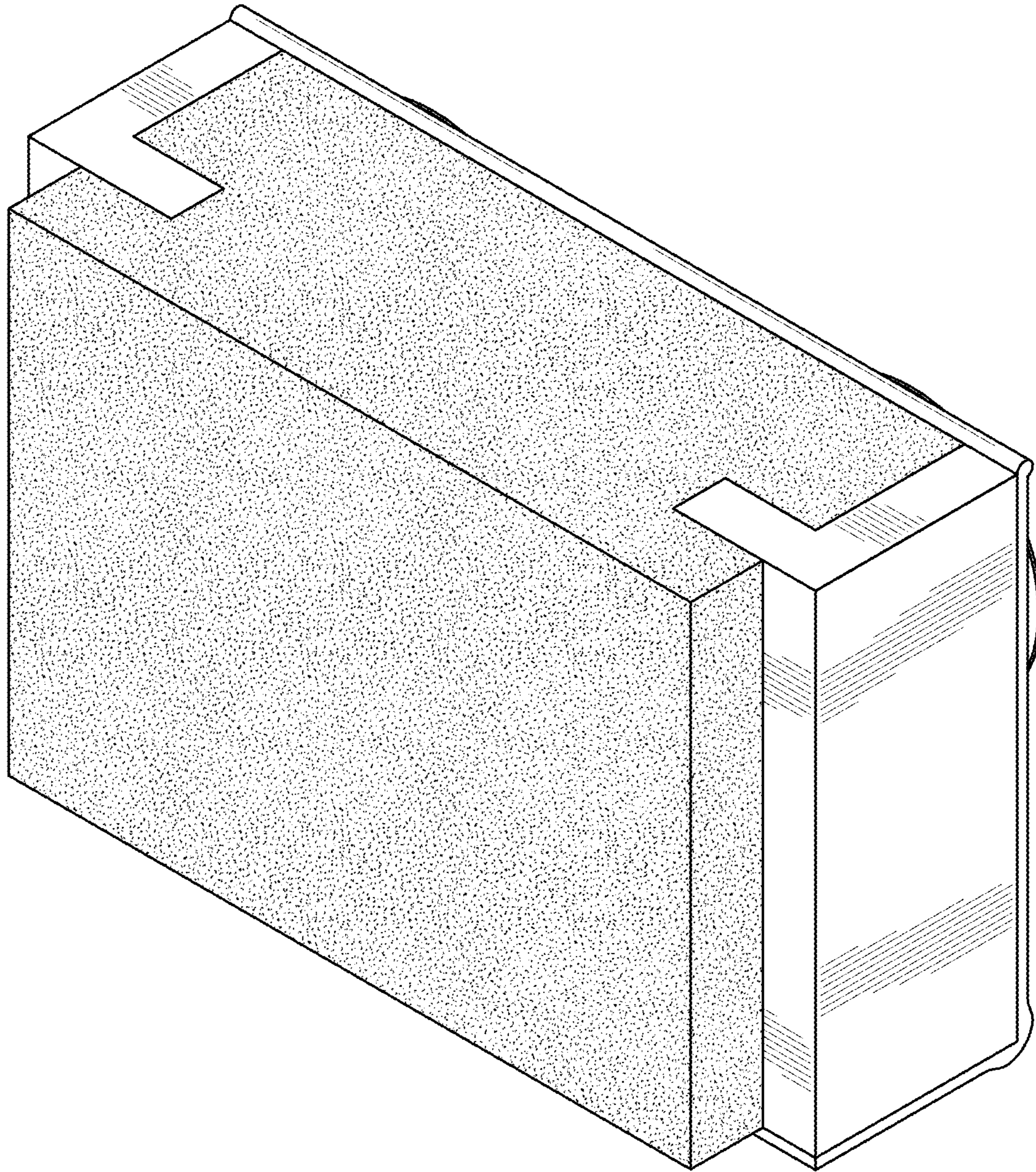


FIG. 1

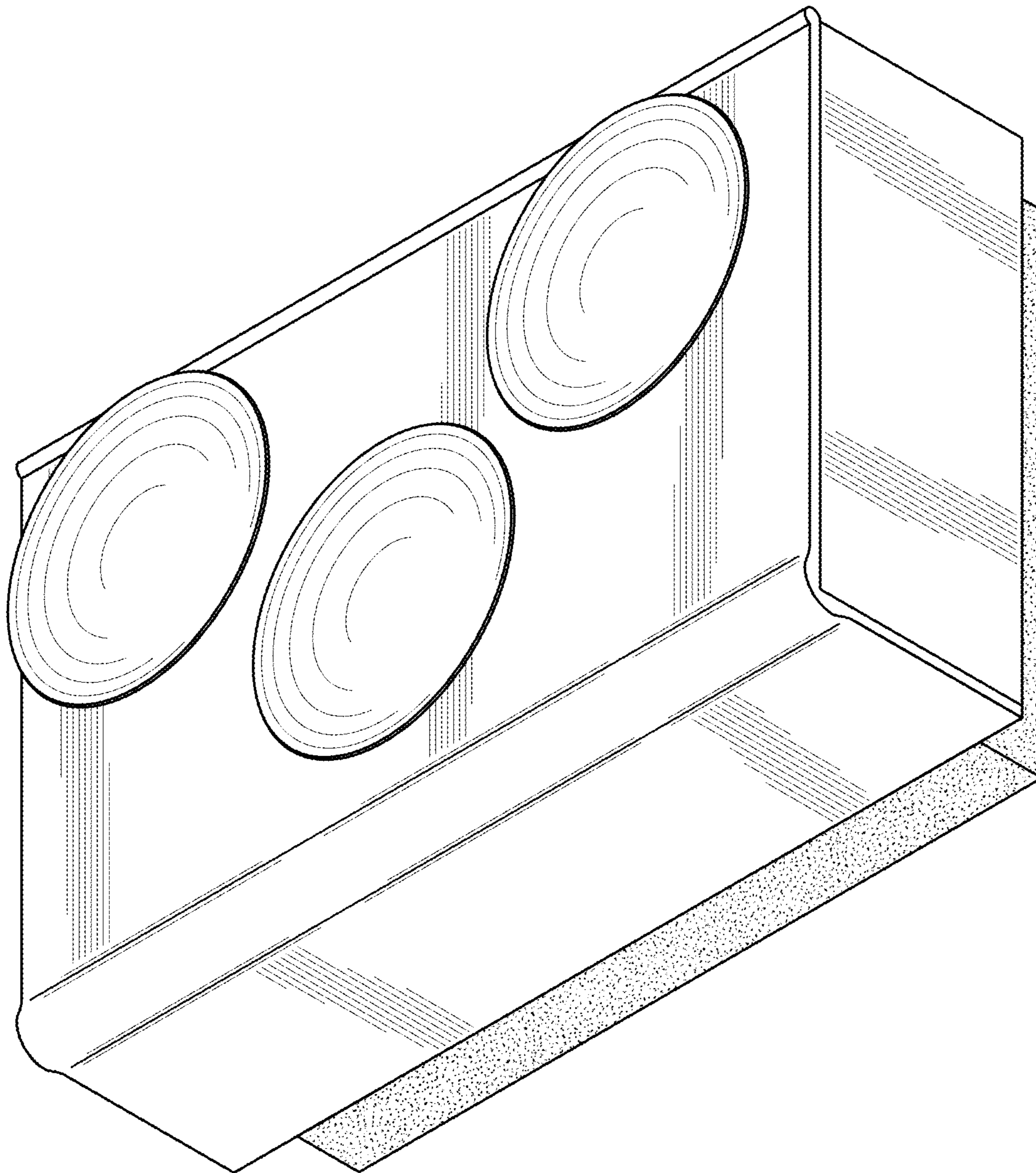


FIG. 2

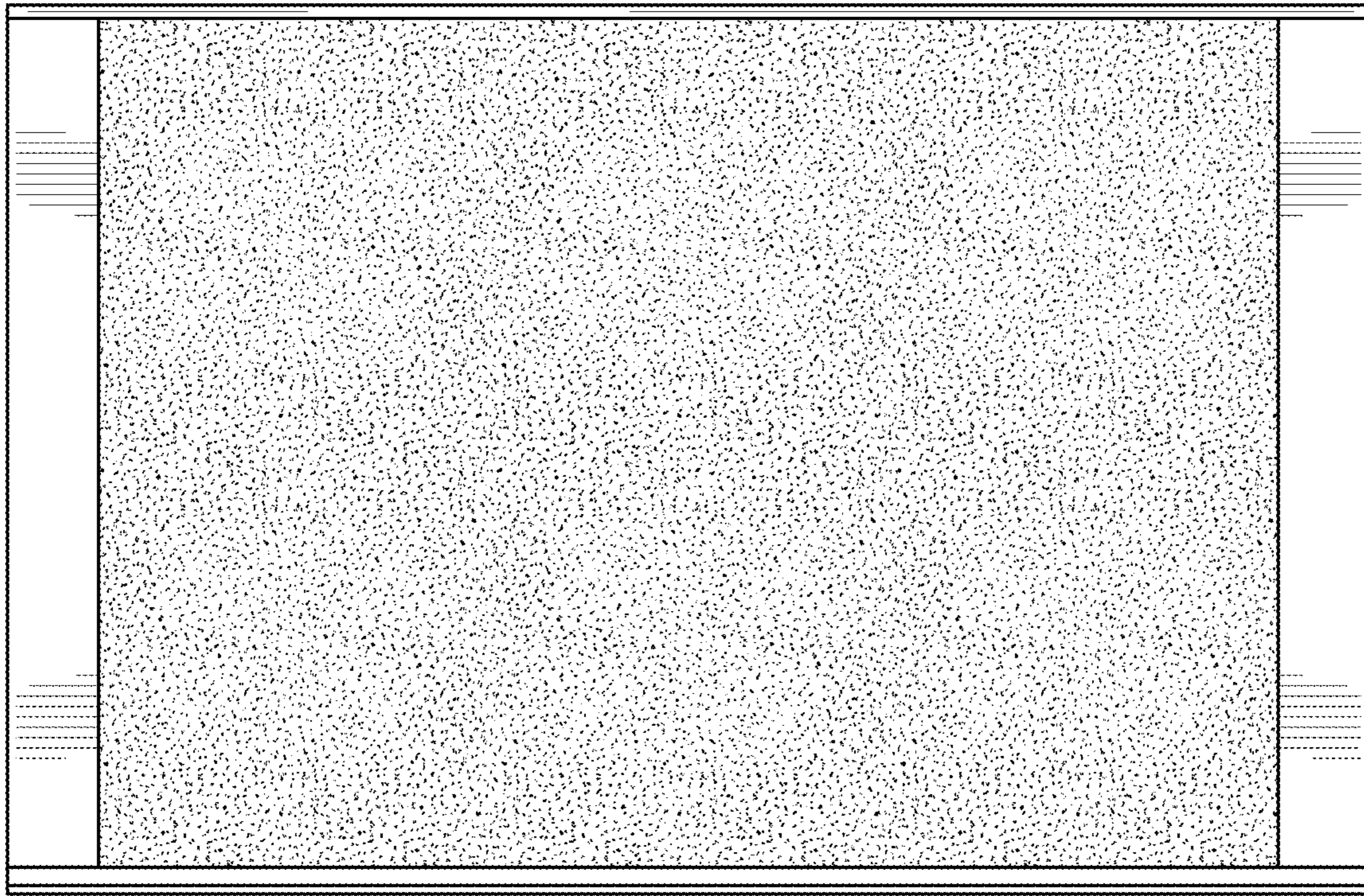


FIG. 3

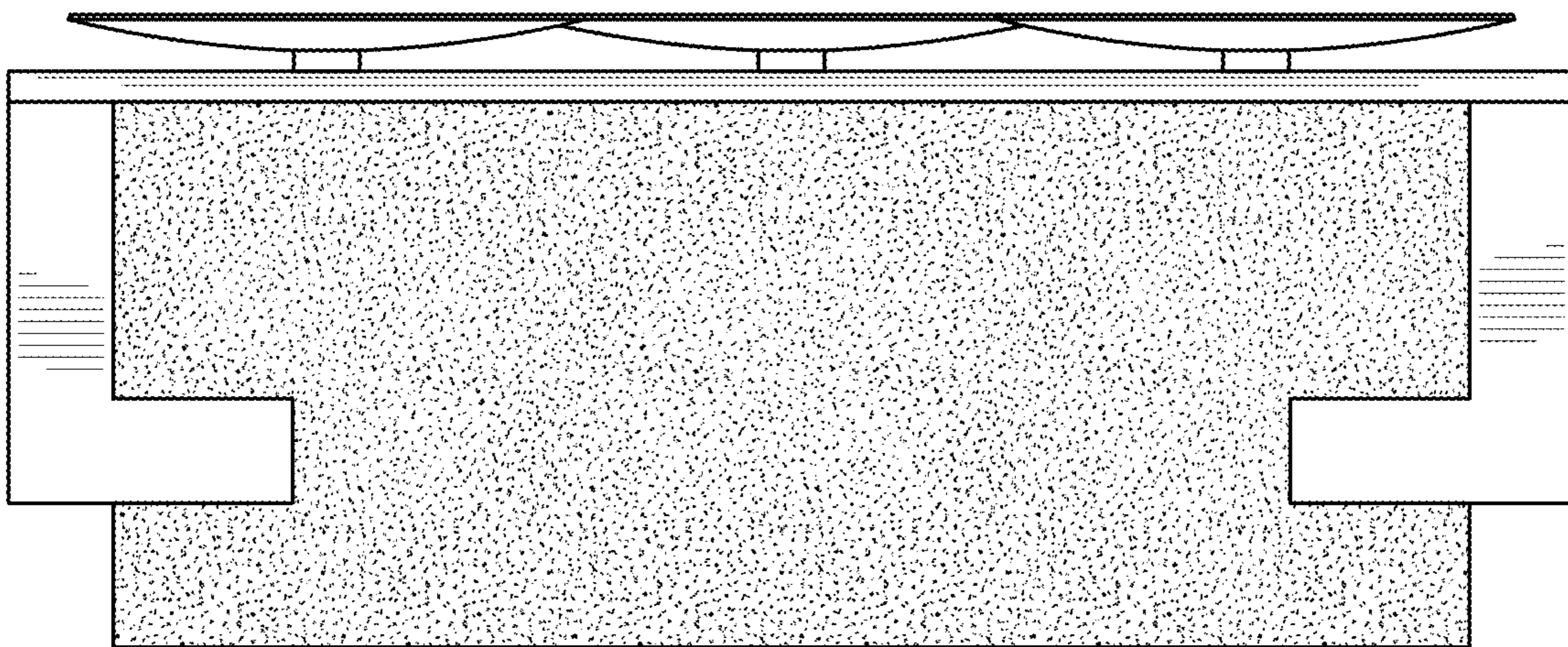


FIG. 4

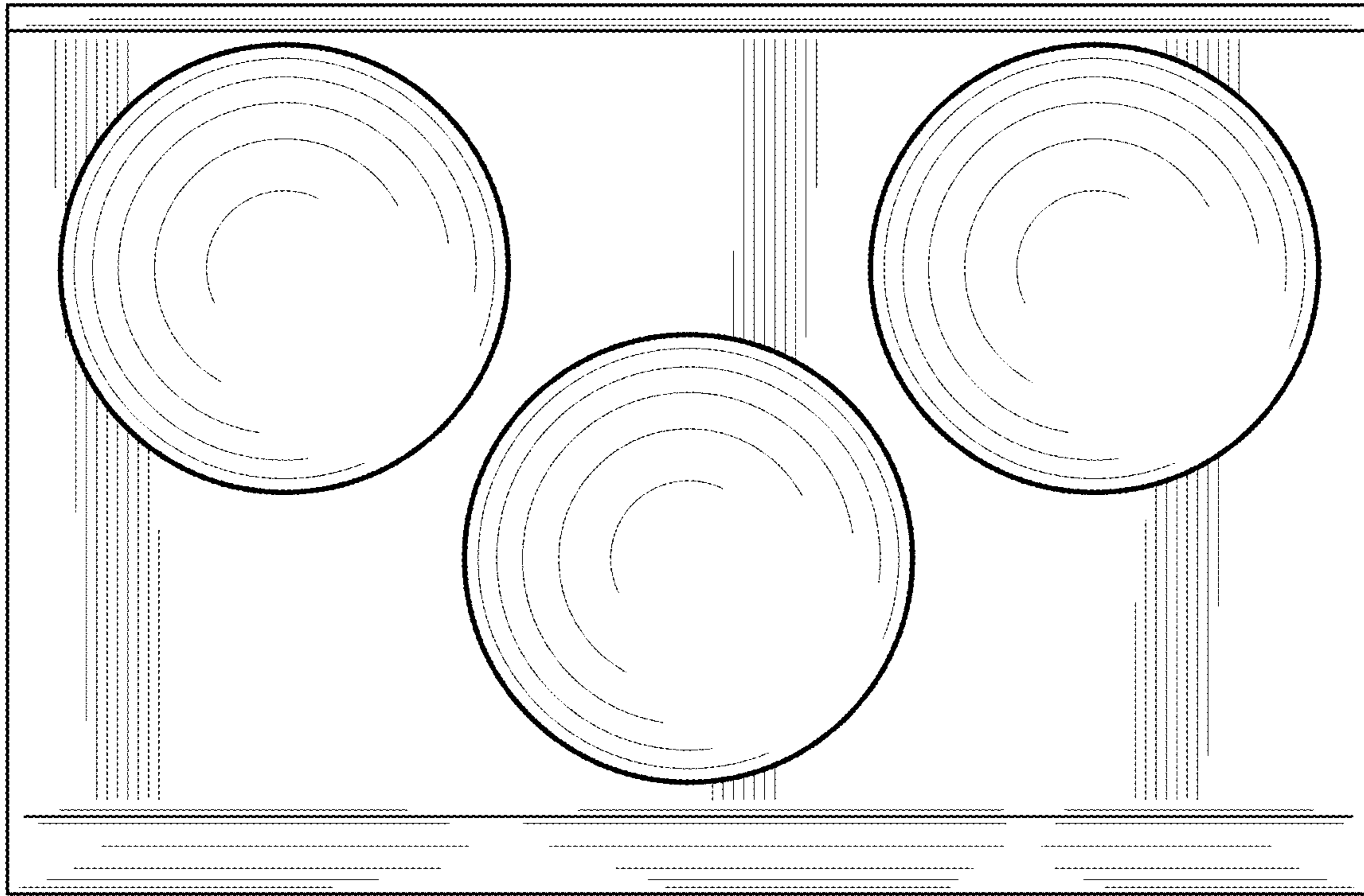


FIG. 5

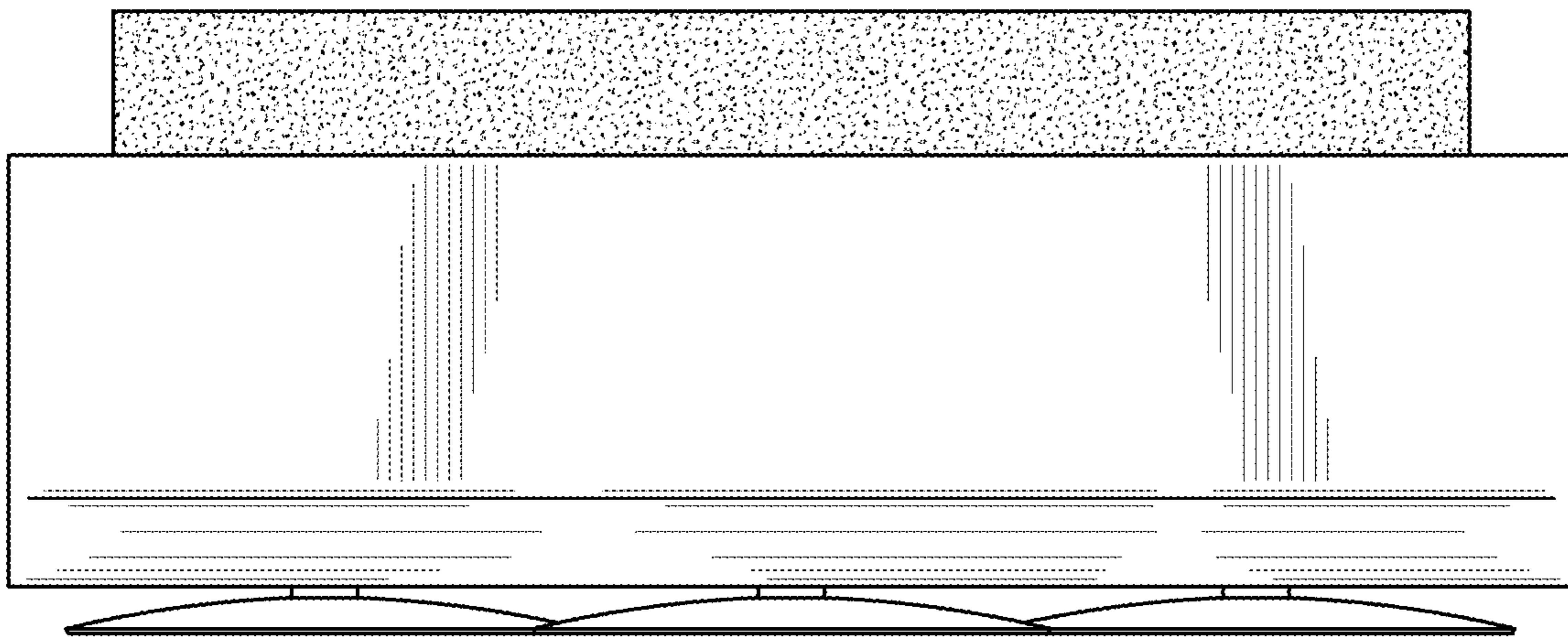


FIG. 6

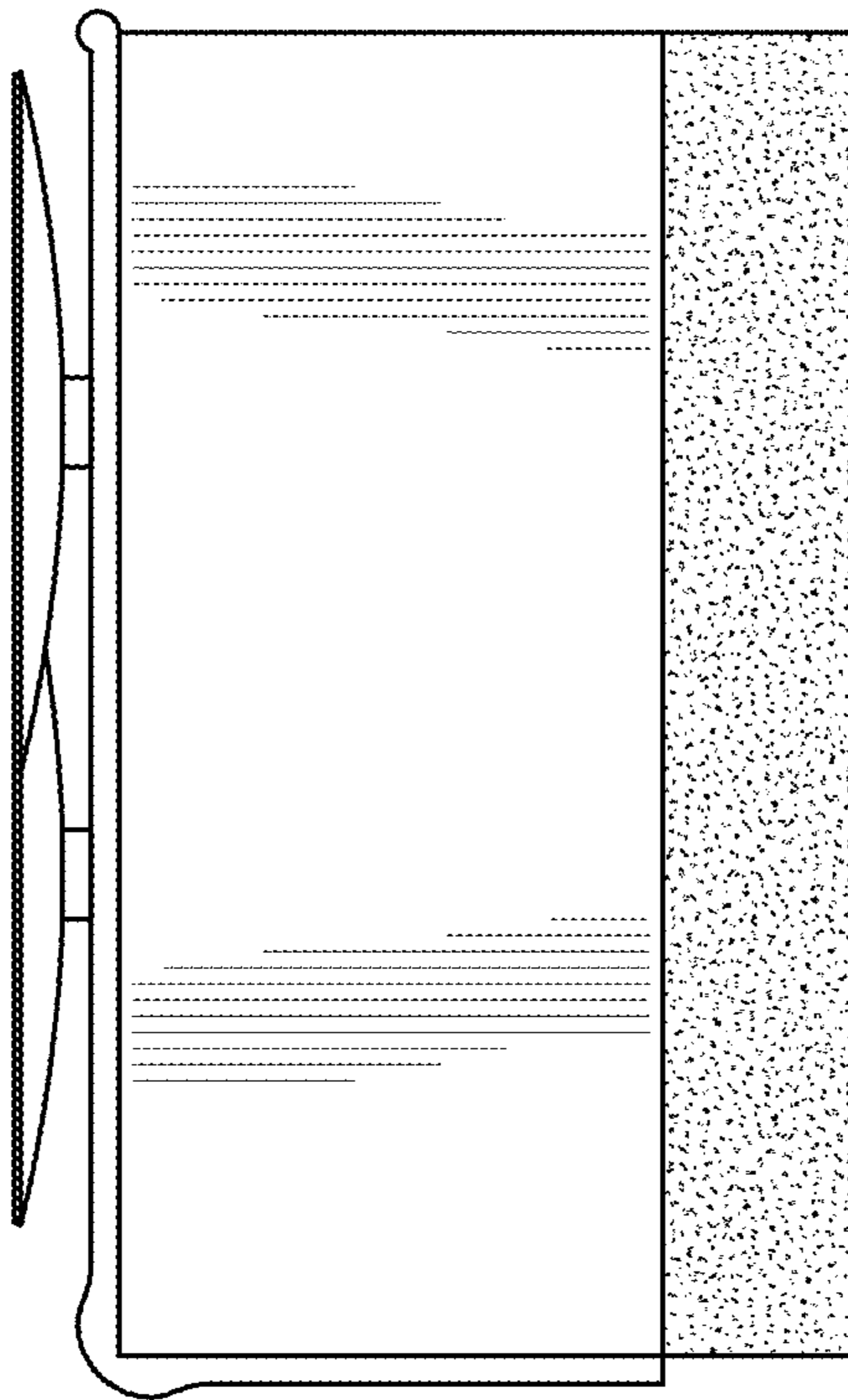


FIG. 7