



US00D921295S

(12) **United States Design Patent**
Khubani et al.

(10) **Patent No.:** **US D921,295 S**

(45) **Date of Patent:** **** Jun. 1, 2021**

(54) **HAIR REMOVAL DEVICE WITH CAP**

(71) Applicant: **Church & Dwight Co., Inc.**, Ewing,
NJ (US)

(72) Inventors: **Anand Khubani**, Morristown, NJ (US);
David Stowers, Morristown, NJ (US);
Eric Langberg, Milford, PA (US)

(73) Assignee: **Church & Dwight Co., Inc.**, Ewing,
NJ (US)

(**) Term: **15 Years**

(21) Appl. No.: **29/651,859**

(22) Filed: **May 10, 2019**

(51) **LOC (13) Cl.** **28-03**

(52) **U.S. Cl.**
USPC **D28/50; D28/85**

(58) **Field of Classification Search**
USPC D28/49-54, 76, 77, 85
CPC B26B 19/00-107; B26B 19/12-265; B26B
19/38; B26B 19/3853-3866; B26B
19/3873-388; B26B 19/46
See application file for complete search history.

(56) **References Cited**

U.S. PATENT DOCUMENTS

D216,383 S	*	12/1969	Fischer	D28/50
D231,809 S	*	6/1974	Fujishima	D28/50
D305,806 S	*	1/1990	Fujisawa	D28/50
D307,491 S	*	4/1990	Okada	D28/50
D478,690 S	*	8/2003	Sgariboldi	D28/85
D479,017 S	*	8/2003	Sgariboldi	D28/85

D712,596 S	*	9/2014	Lee	D28/77
D834,253 S	*	11/2018	Khubani	D28/50
D865,291 S	*	10/2019	Xiong	D28/50
D882,874 S	*	4/2020	Peng	D28/51

* cited by examiner

Primary Examiner — Jennifer Rivard

(74) *Attorney, Agent, or Firm* — Womble Bond Dickinson
(US) LLP

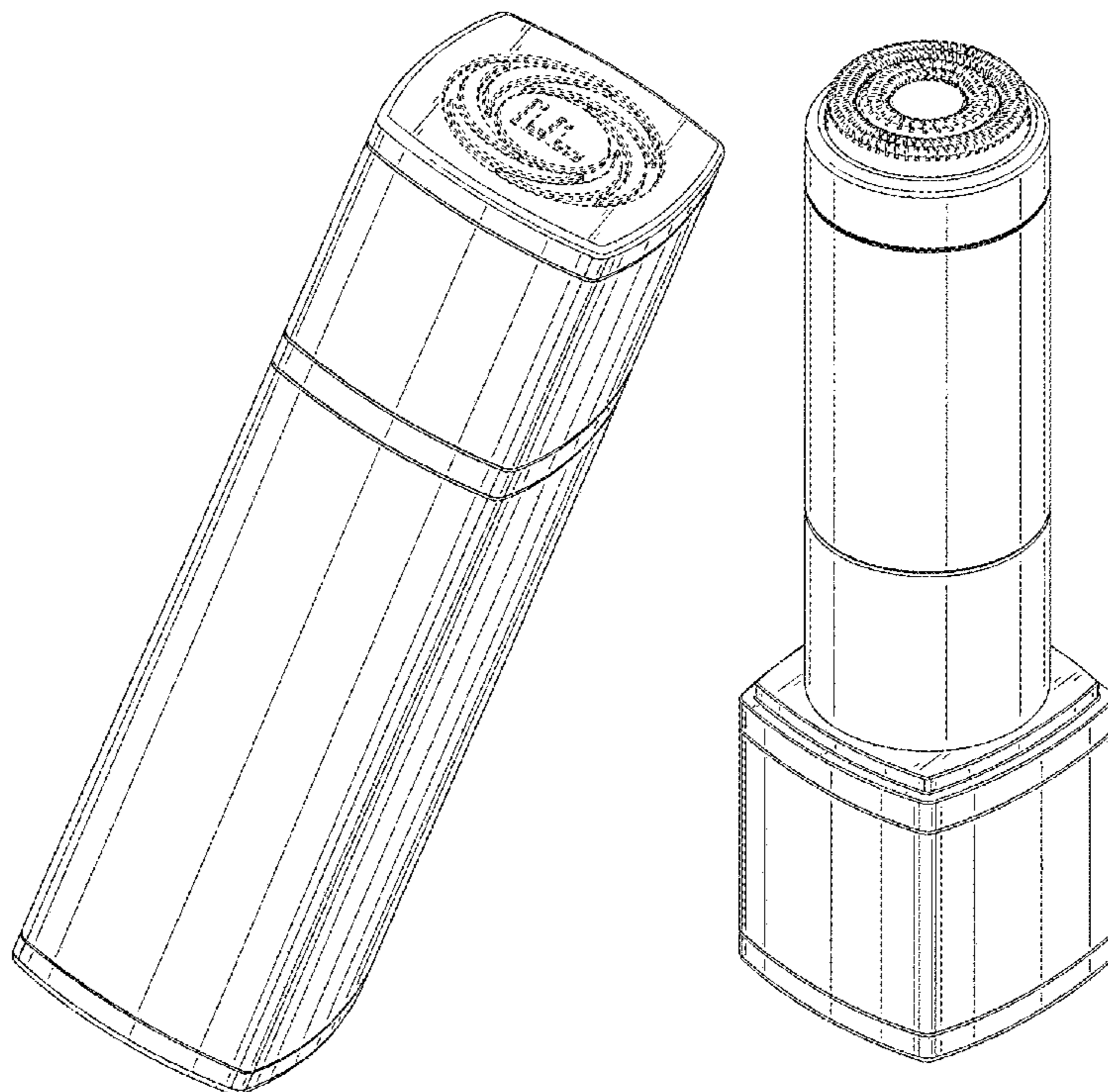
(57) **CLAIM**

The ornamental design for a hair removal device with cap,
as shown and described.

DESCRIPTION

FIG. 1 is a front perspective view of a hair removal device with cap of the present invention showing my new design; FIG. 2 is a top plan view thereof; FIG. 3 is a bottom plan view thereof; FIG. 4 is a front side elevation view thereof; FIG. 5 is a back side elevation view thereof; FIG. 6 is a side elevation view thereof; FIG. 7 is another side elevation view thereof; FIG. 8 is a front perspective view of the device without the cap; FIG. 9 is a top plan view of FIG. 8; FIG. 10 is a bottom plan view of FIG. 8; FIG. 11 is a front side elevation view of FIG. 8; FIG. 12 is a back side elevation view of FIG. 8; FIG. 13 is a side elevation view of FIG. 8; FIG. 14 is another side elevation view of FIG. 8; and, FIG. 15 is a bottom perspective view of FIG. 8. The hair removal device is shown without the cap in FIGS. 8-15 for convenience of illustration.

1 Claim, 13 Drawing Sheets



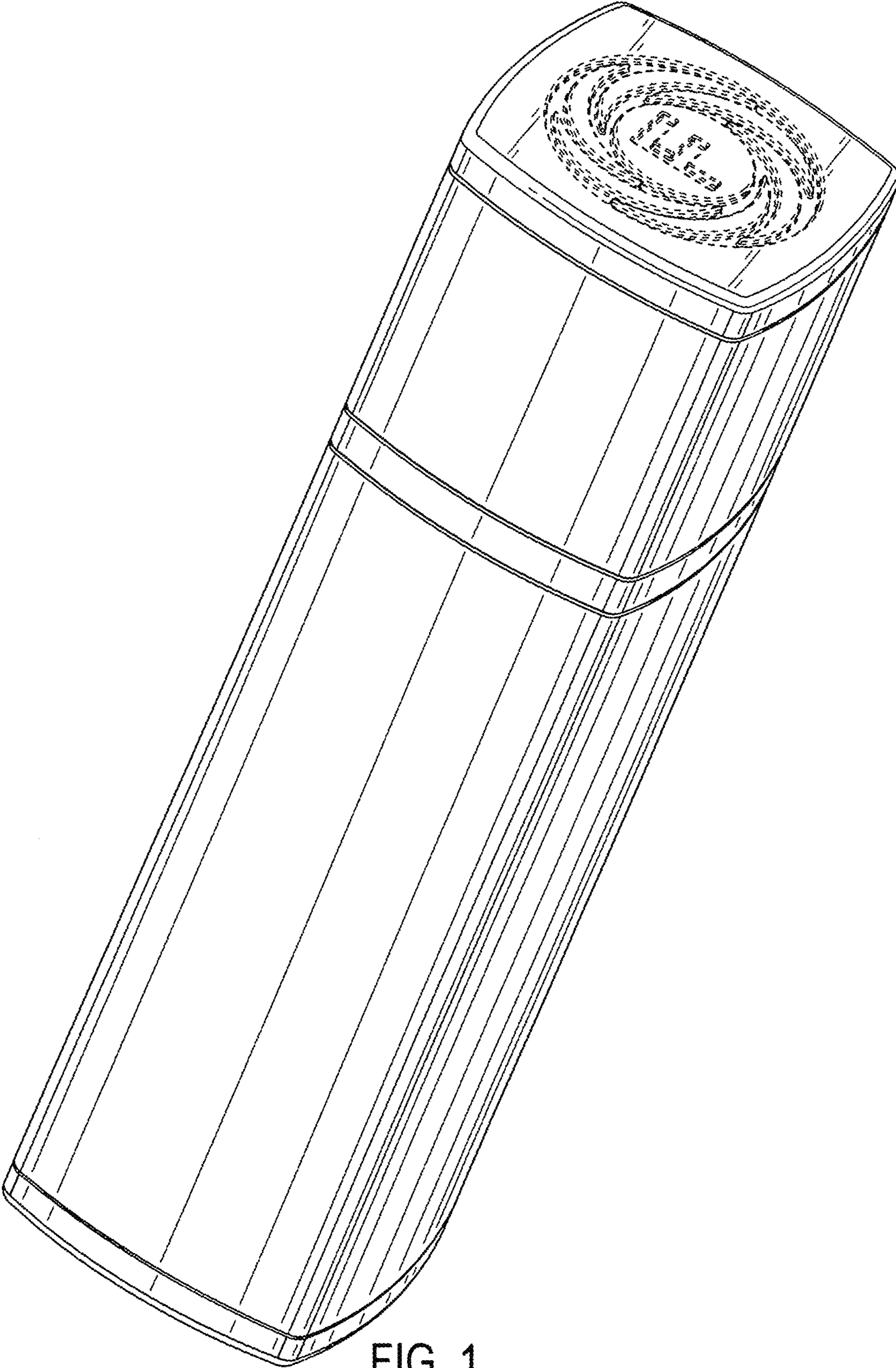


FIG. 1

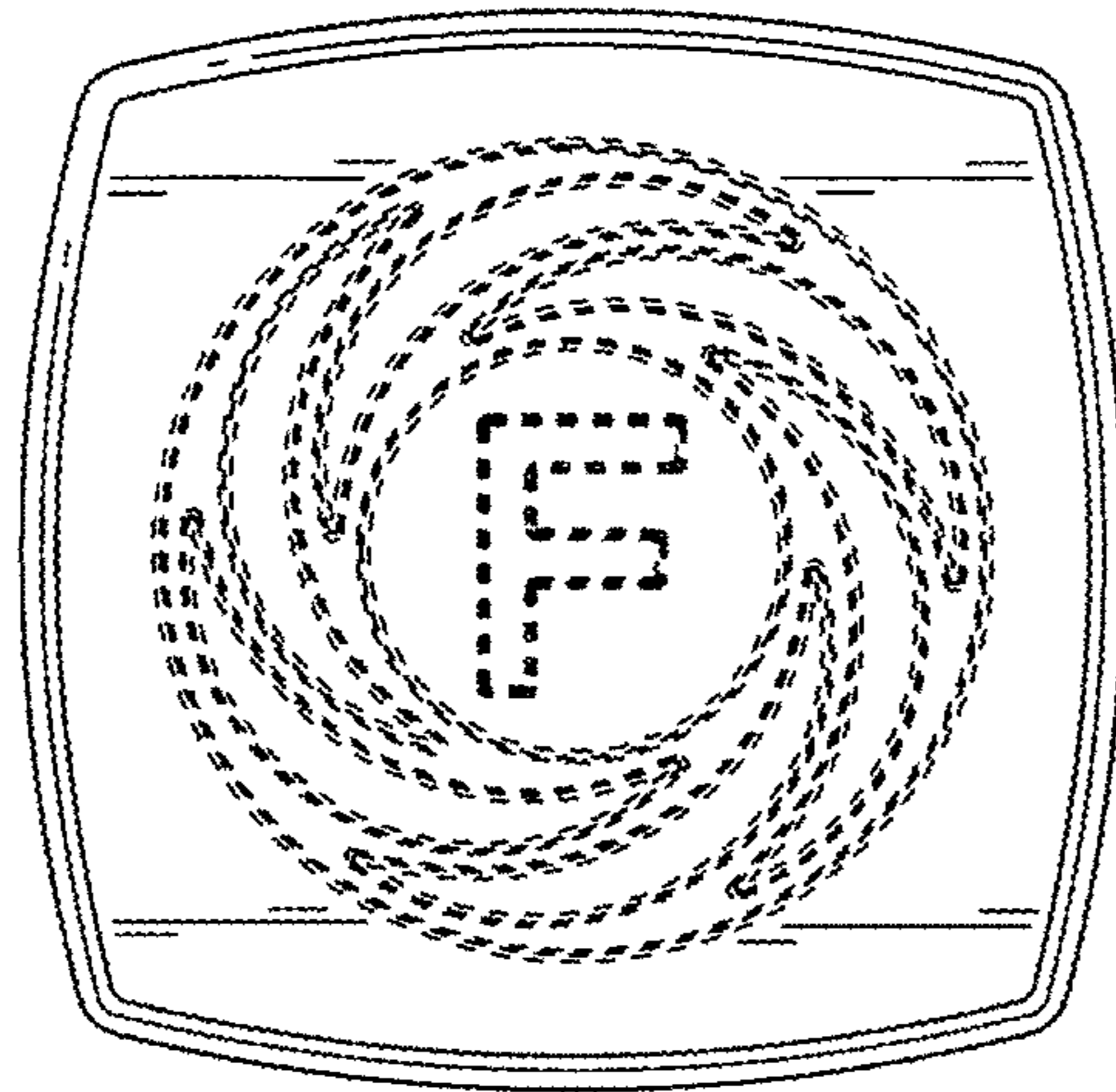


FIG. 2

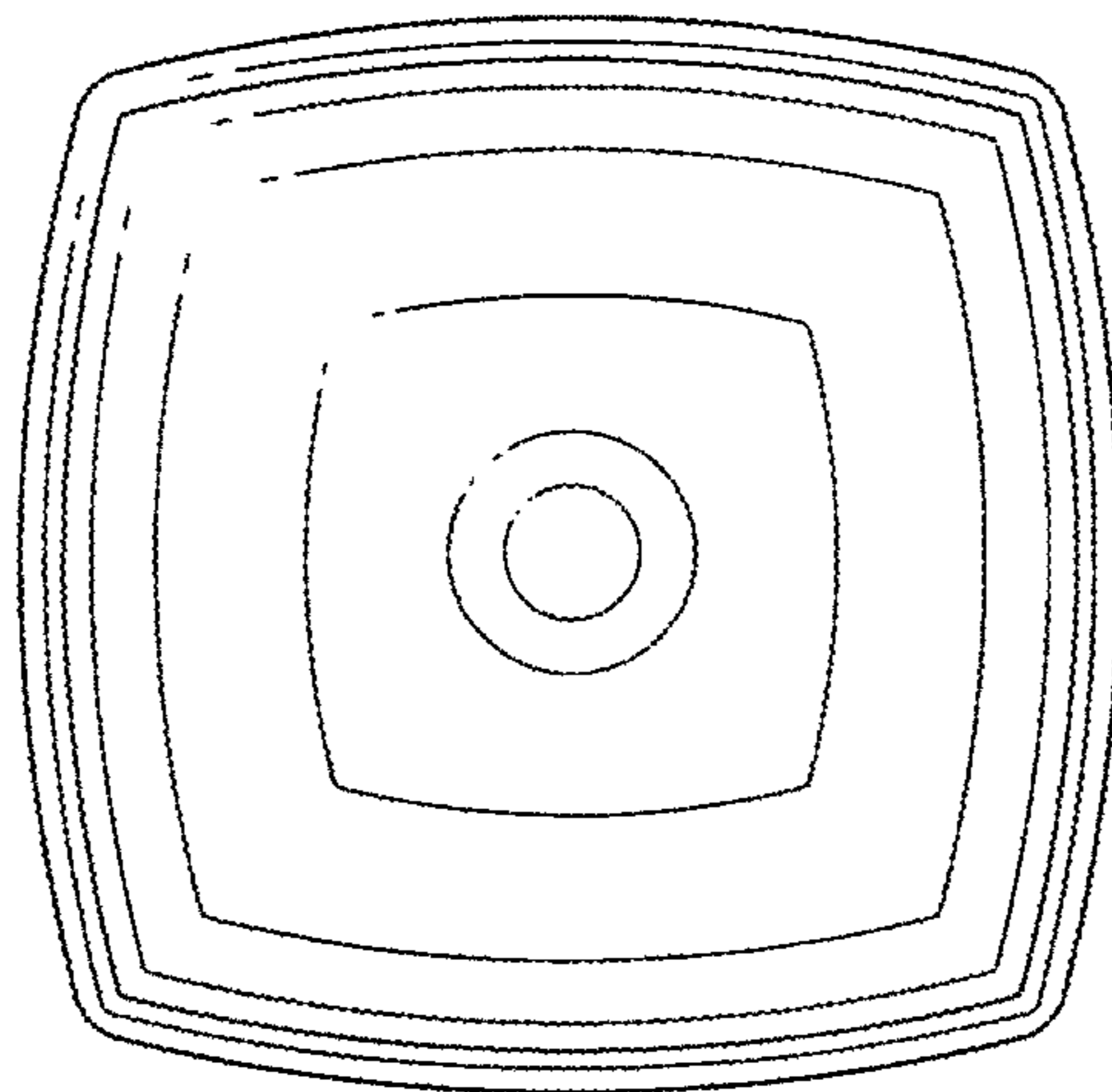


FIG. 3

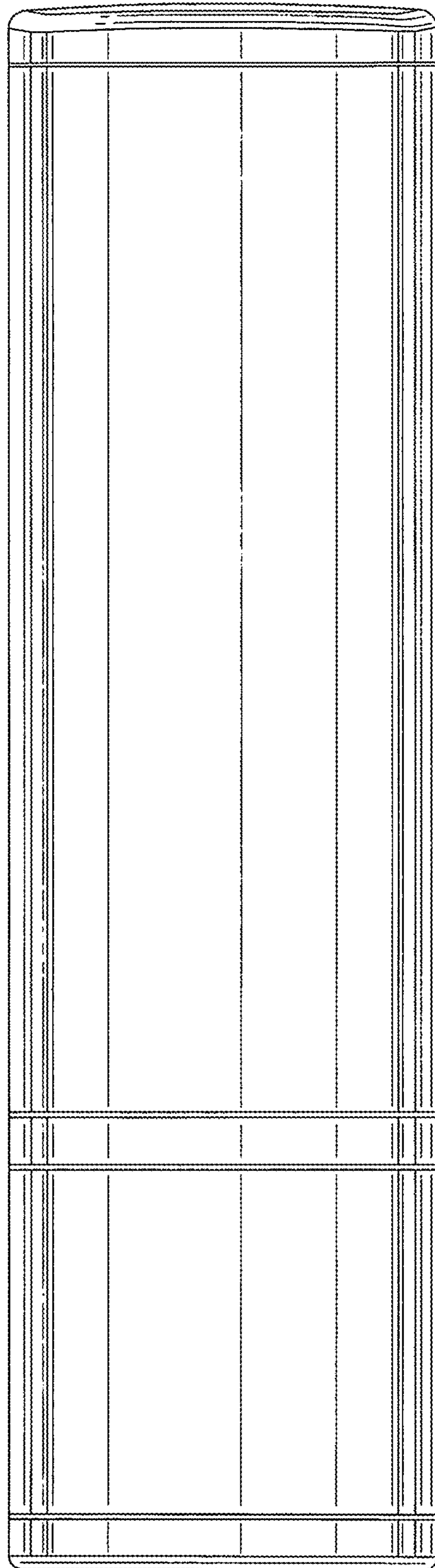


FIG. 4

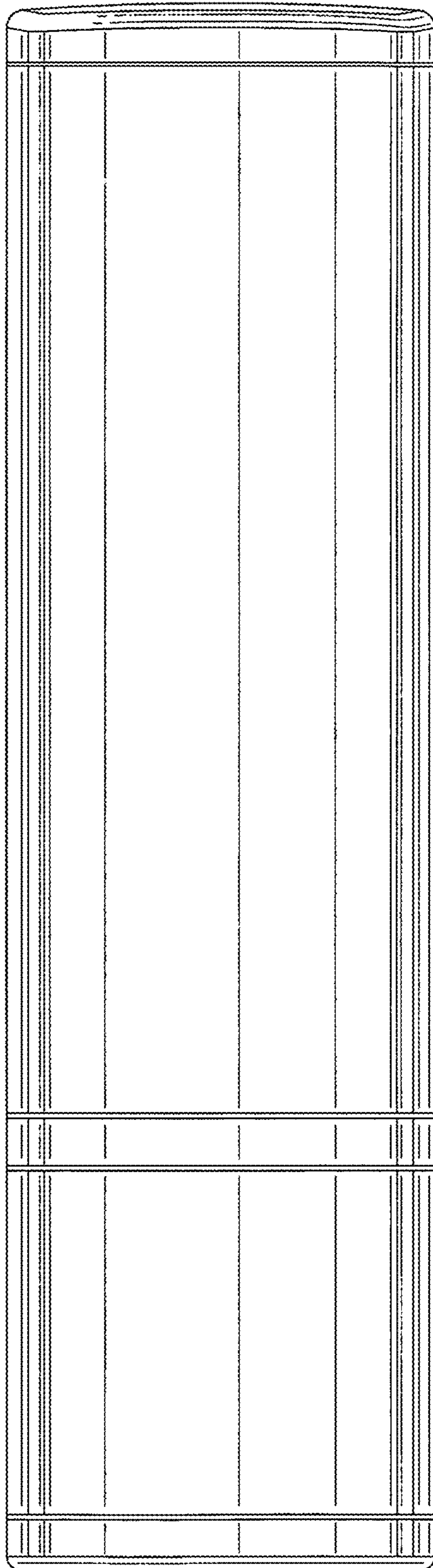


FIG. 5

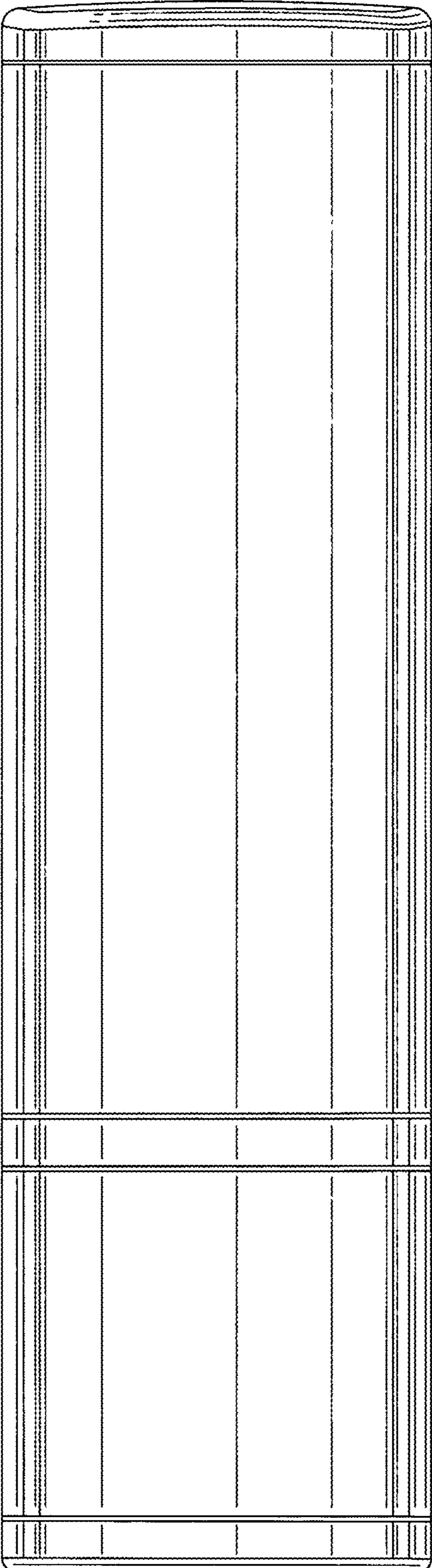


FIG. 6

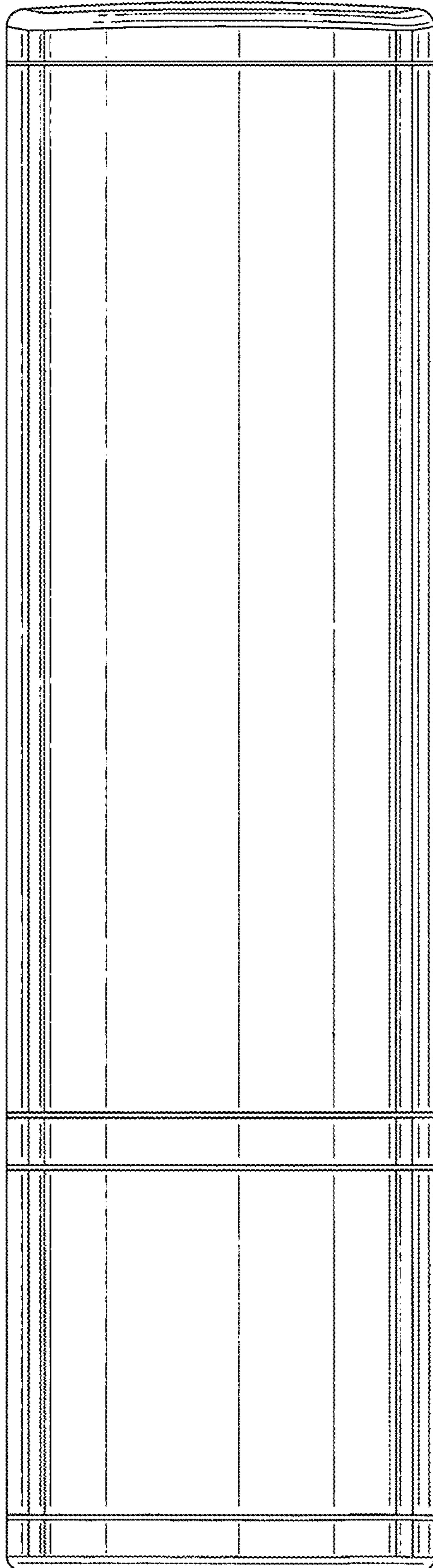


FIG. 7

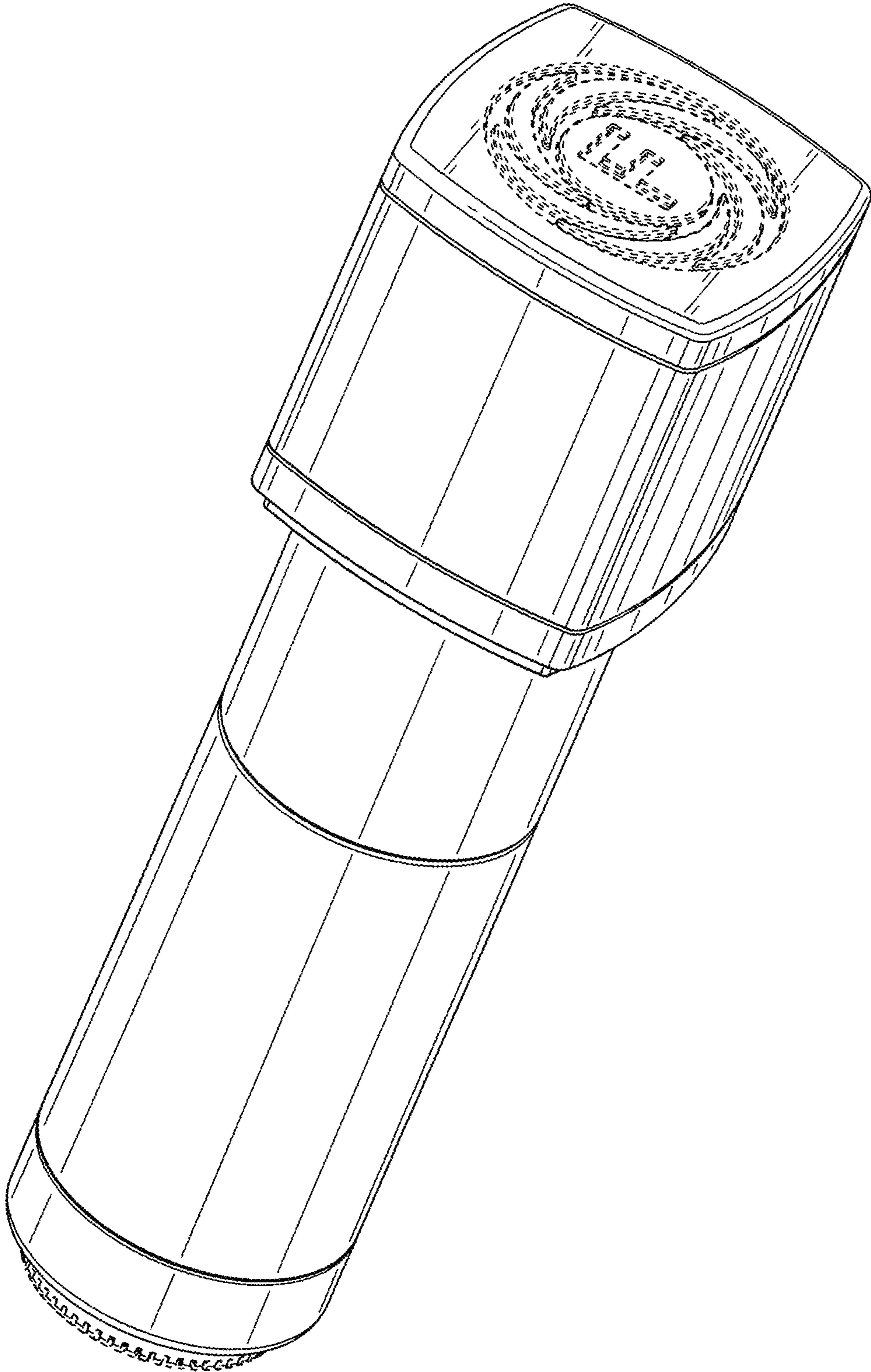


FIG. 8

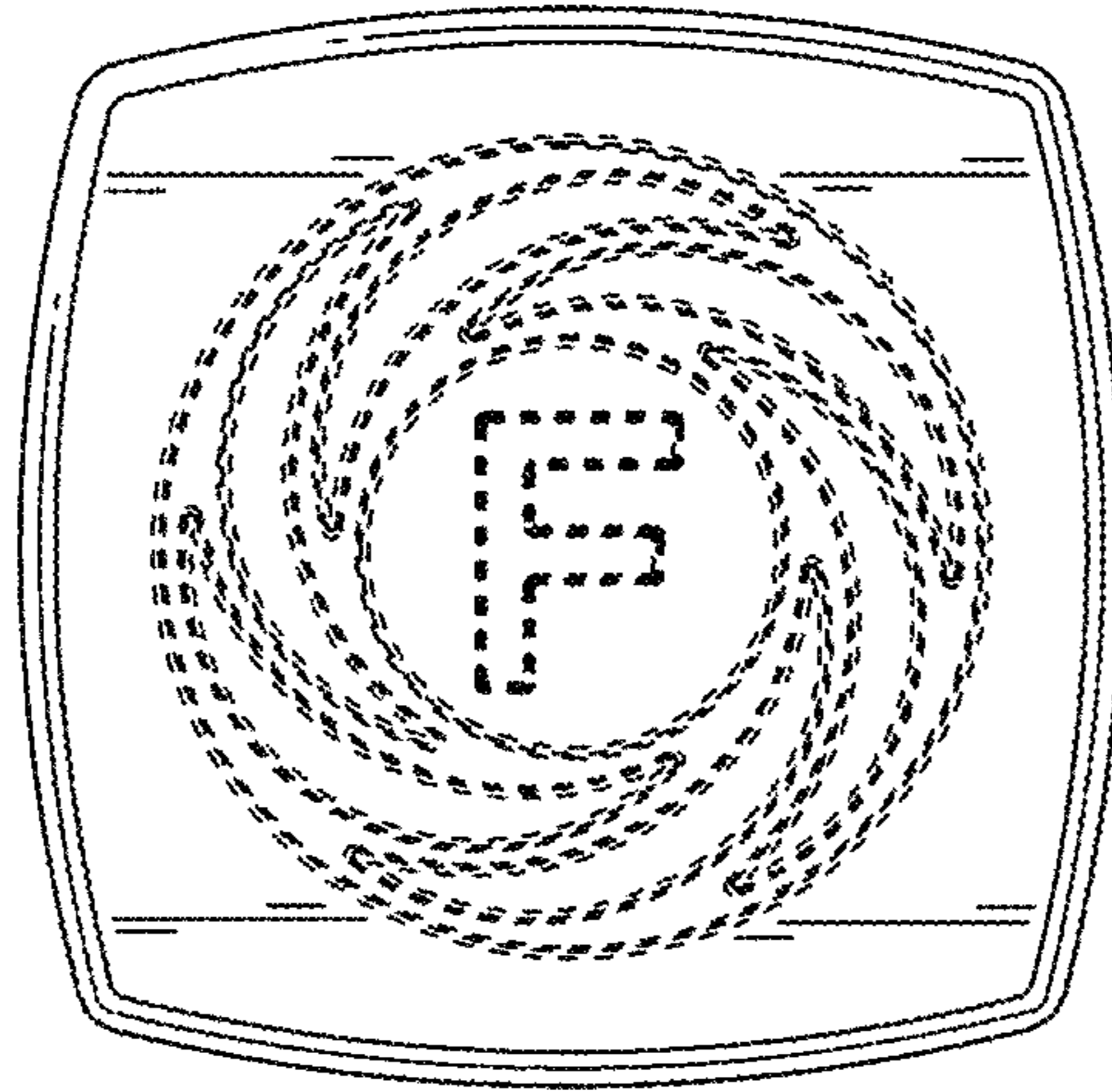


FIG. 9

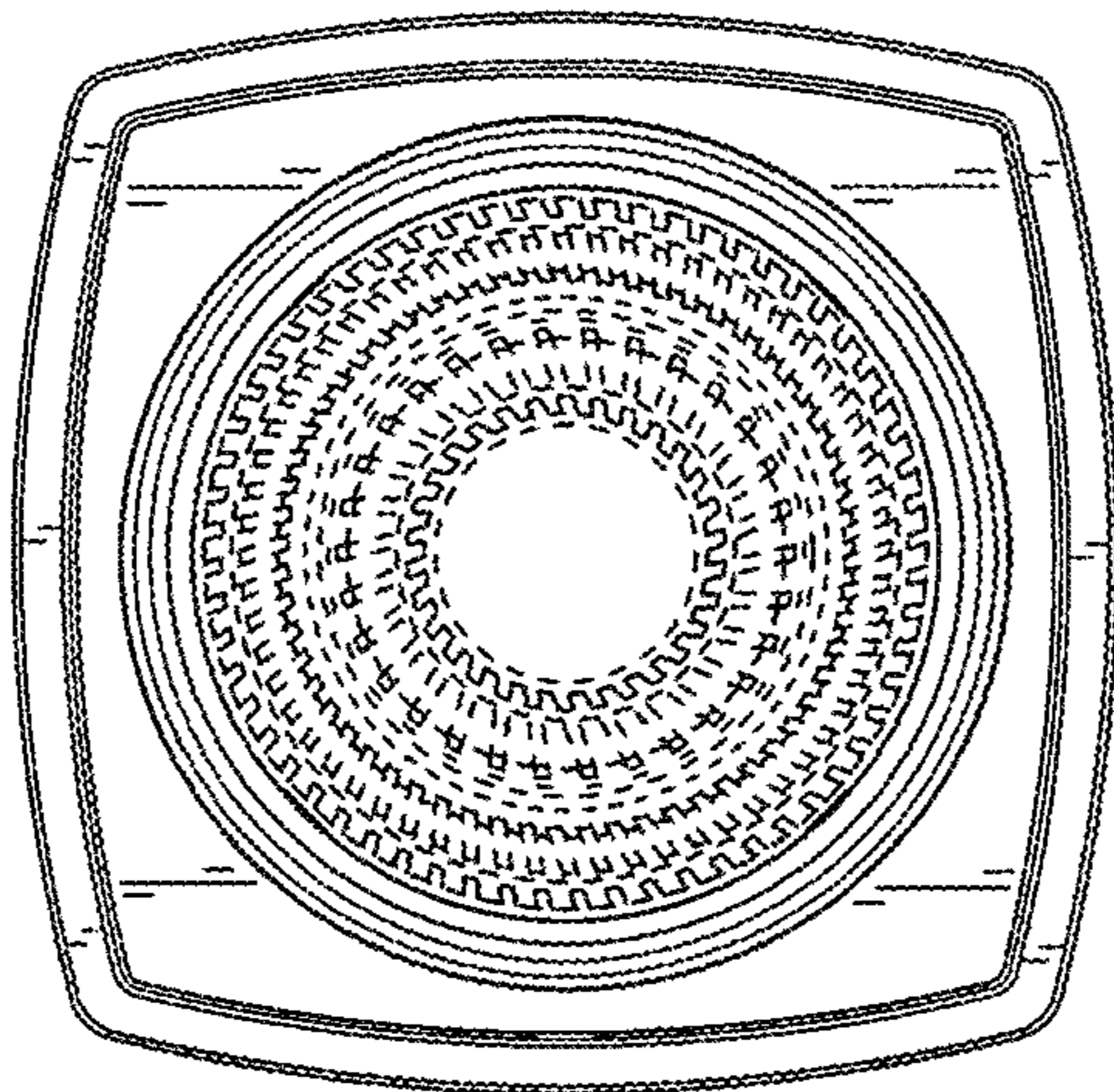


FIG. 10

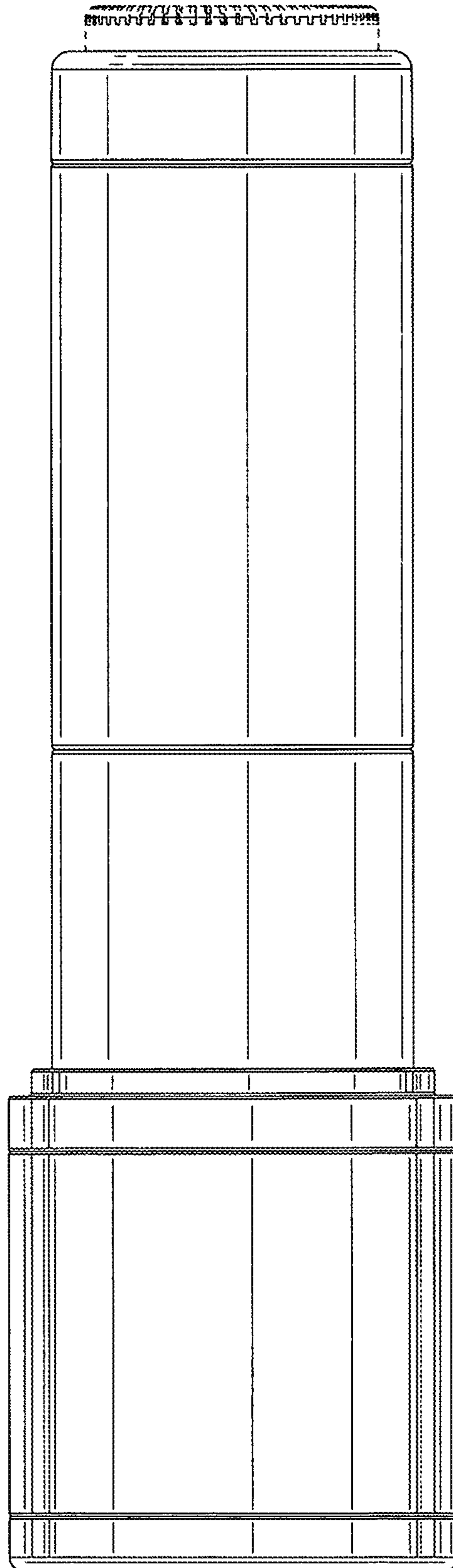


FIG. 11

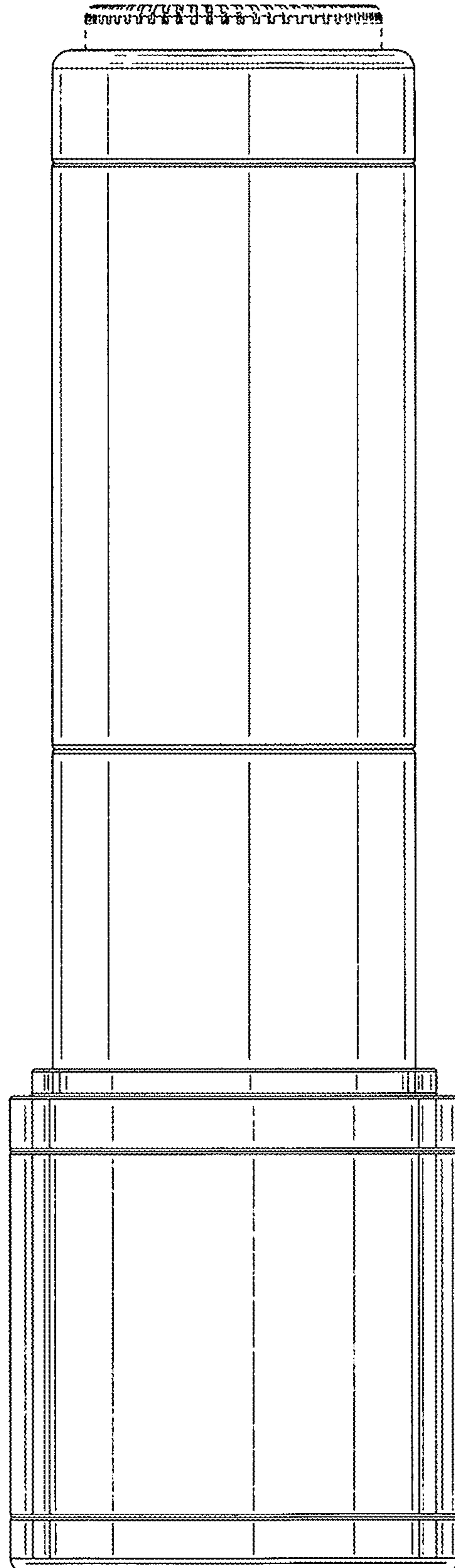


FIG. 12

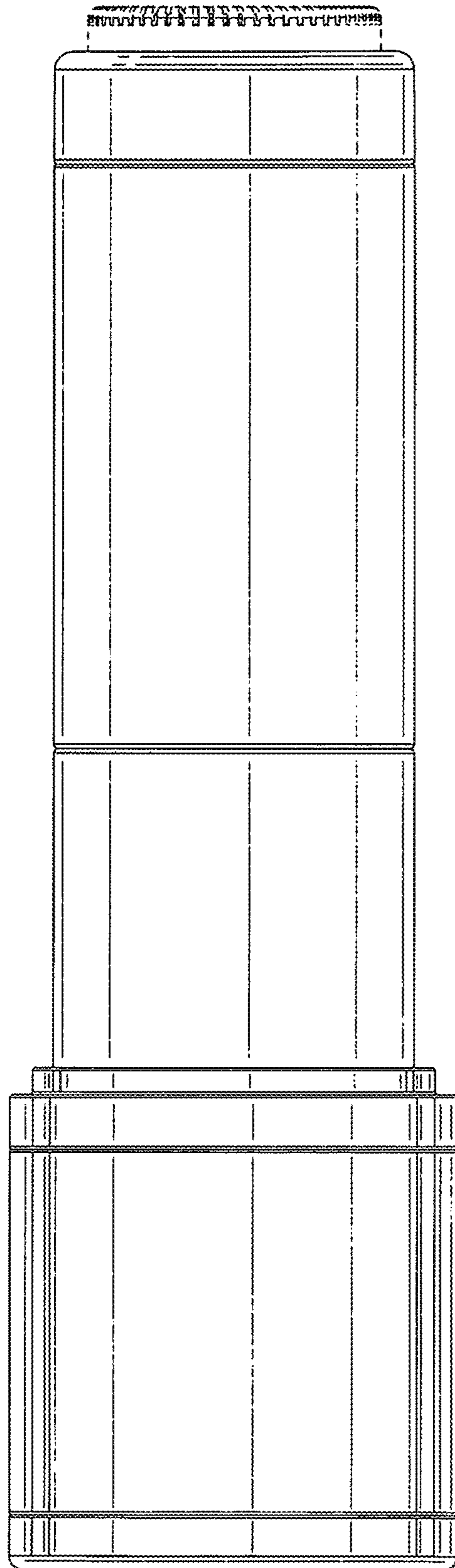


FIG. 13

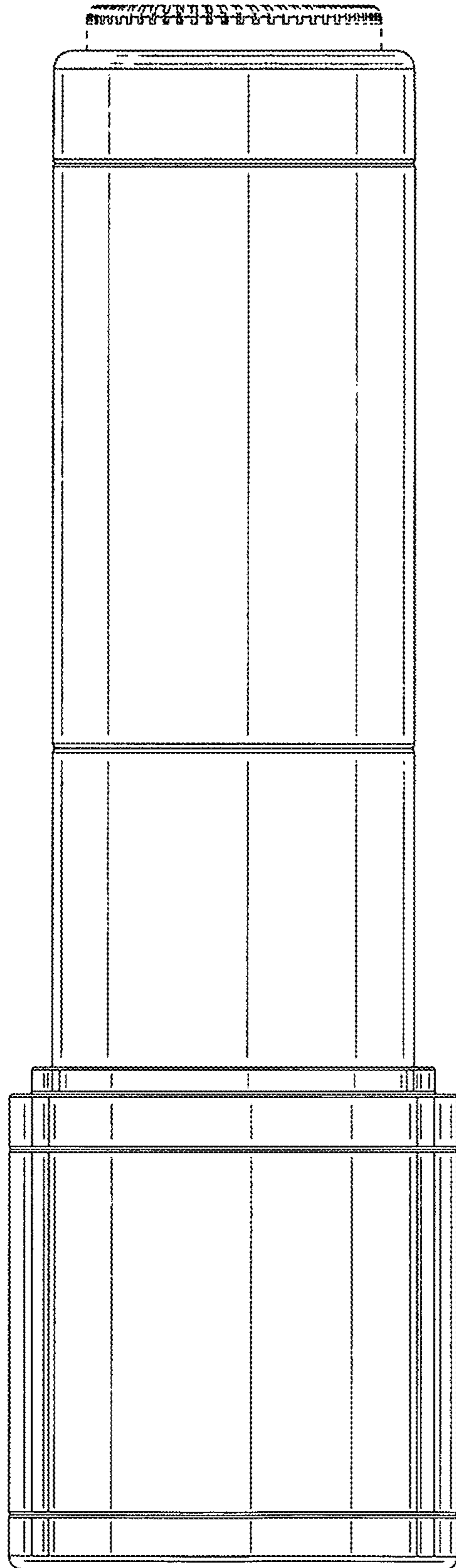


FIG. 14

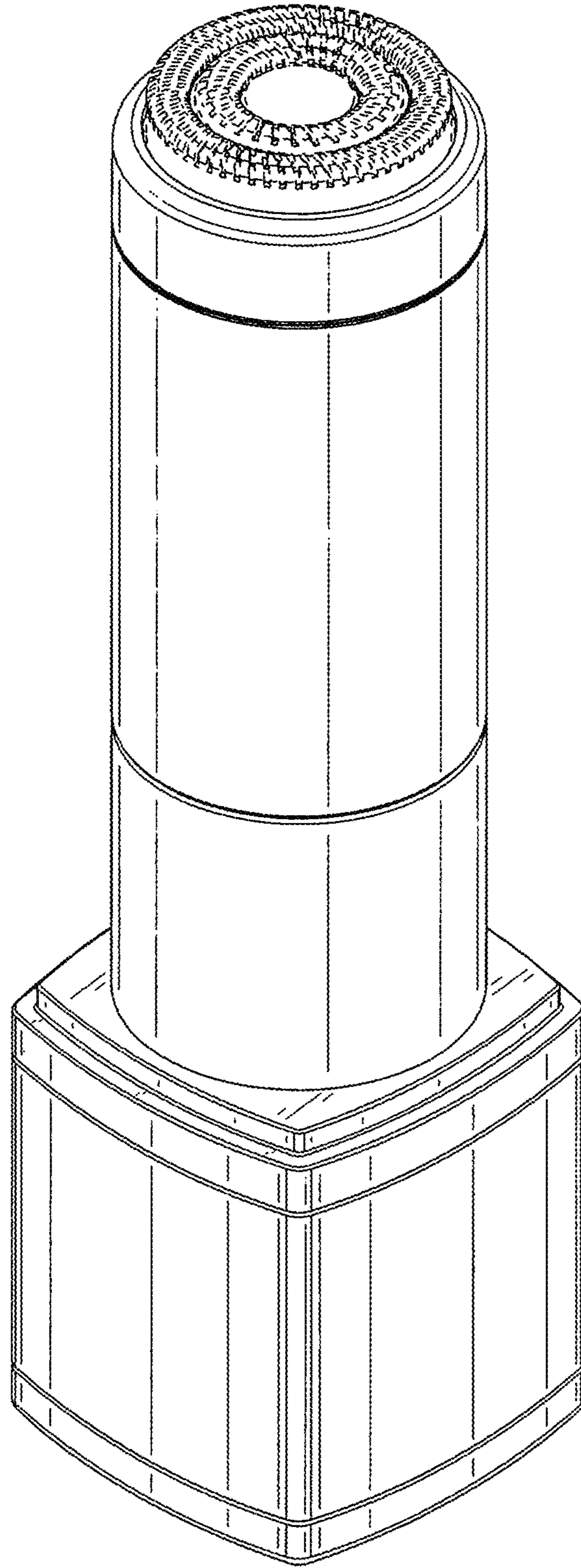


FIG. 15