



US00D921293S

(12) **United States Design Patent**
Langberg

(10) **Patent No.:** **US D921,293 S**
(45) **Date of Patent:** **** Jun. 1, 2021**

- (54) **GUARD FOR HAIR REMOVAL DEVICE**
- (71) Applicant: **Church & Dwight Co., Inc.**, Princeton, NJ (US)
- (72) Inventor: **Eric Langberg**, Milford, PA (US)
- (73) Assignee: **Church & Dwight Co., Inc.**, Princeton, NJ (US)
- (**) Term: **15 Years**
- (21) Appl. No.: **29/737,174**
- (22) Filed: **Jun. 5, 2020**

3,530,574	A *	9/1970	Patterson	B26B 21/40
					30/540
4,996,772	A *	3/1991	Iten	B26B 21/4037
					30/123.3
6,185,823	B1 *	2/2001	Brown	B26B 21/00
					30/50
6,418,623	B1 *	7/2002	Marcarelli	B26B 21/22
					30/34.1
D624,242	S *	9/2010	Bridges	D28/47
9,751,226	B2 *	9/2017	Psimadas	B26B 21/521
9,919,441	B2 *	3/2018	Drori	B26B 21/4018
10,780,596	B2 *	9/2020	Squires	B26B 21/227
2017/0305022	A1 *	10/2017	Bamundaga	B26B 21/06
2018/0161999	A1 *	6/2018	Depaz	B26B 21/4012
2019/0299439	A1 *	10/2019	Park	B26B 21/4037
2019/0351569	A1 *	11/2019	Squires	B26B 21/4006
2020/0061856	A1 *	2/2020	Musallam	B26B 19/3846
2020/0290223	A1 *	9/2020	Kole	B26B 21/565

Related U.S. Application Data

- (63) Continuation-in-part of application No. 29/712,099, filed on Nov. 5, 2019.
- (51) **LOC (13) Cl.** **28-03**
- (52) **U.S. Cl.**
USPC **D28/47; D28/54**
- (58) **Field of Classification Search**
USPC D28/47, 54; D9/735, 736; D3/203.1, D3/205
CPC A45D 27/22-225; B26B 19/382; B26B 19/3826; B26B 19/3846; B26B 19/046; B26B 29/00; B26B 21/40; B26B 21/42; B26B 21/4018; B26B 21/4025; B26B 21/4037; B26B 21/4031; B65D 21/0204
See application file for complete search history.

(56) **References Cited**

U.S. PATENT DOCUMENTS

- 3,388,468 A * 6/1968 Hamill B26B 29/00
30/540
- 3,408,737 A * 11/1968 Steere, Jr. B26B 29/00
30/540

* cited by examiner

Primary Examiner — Jennifer Rivard

(74) *Attorney, Agent, or Firm* — Womble Bond Dickinson (US) LLP

(57) **CLAIM**

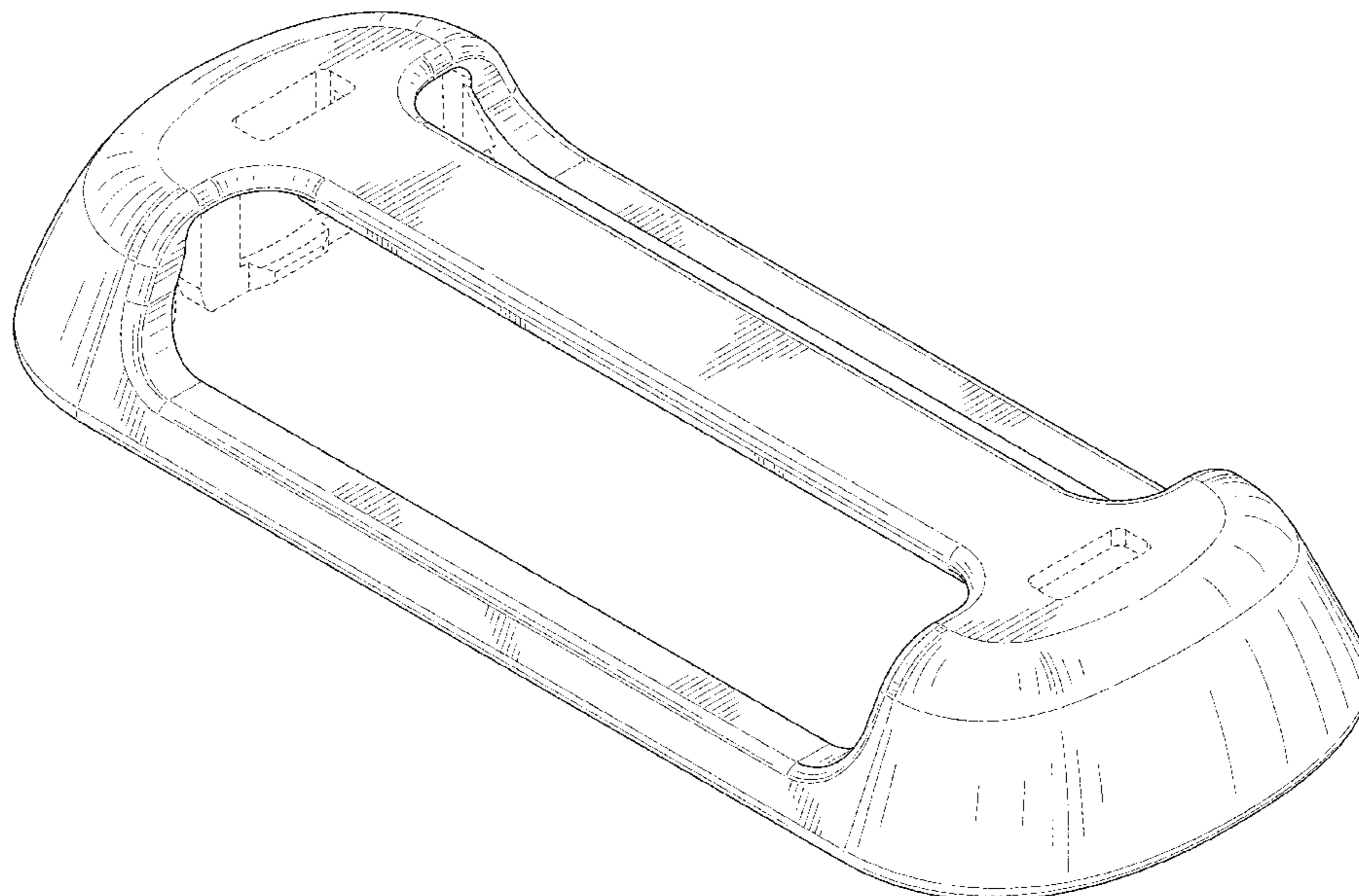
The ornamental design for a guard for hair removal device, as shown and described.

DESCRIPTION

FIG. 1 is a front perspective view of a guard for hair removal device of the present invention showing our new design;
 FIG. 2 is a front view thereof;
 FIG. 3 is a rear view thereof;
 FIG. 4 is a side view thereof;
 FIG. 5 is another side view rotated 180 degrees relative to FIG. 4;
 FIG. 6 is a top plan view thereof; and,
 FIG. 7 is a bottom plan view thereof.

The broken lines illustrate portions of the guard for hair removal device and form no part of the claimed design.

1 Claim, 5 Drawing Sheets



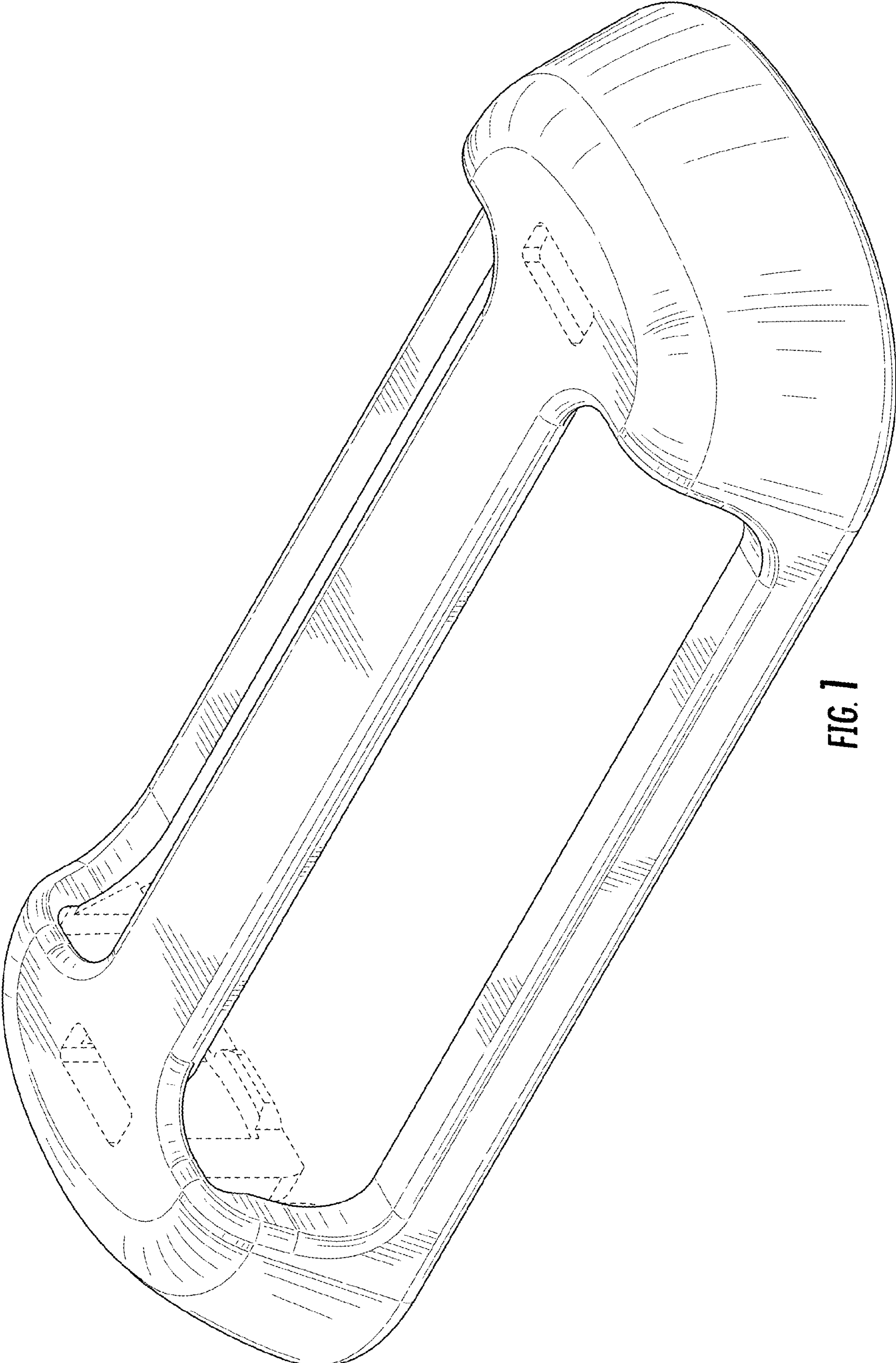


FIG. 1

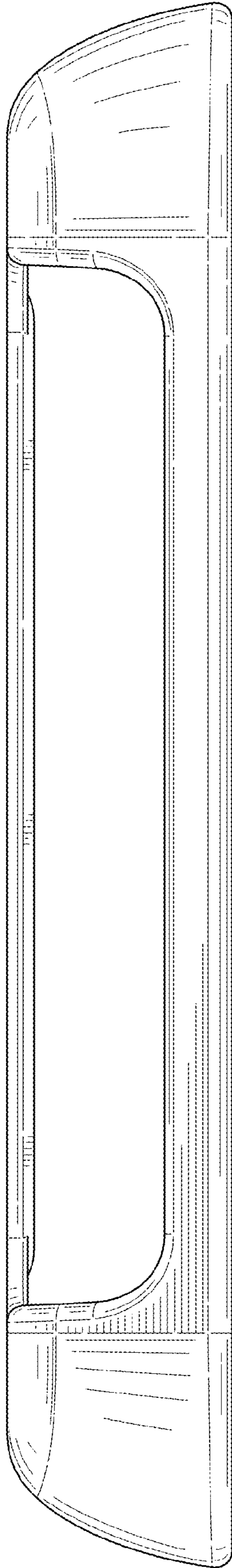


FIG. 2

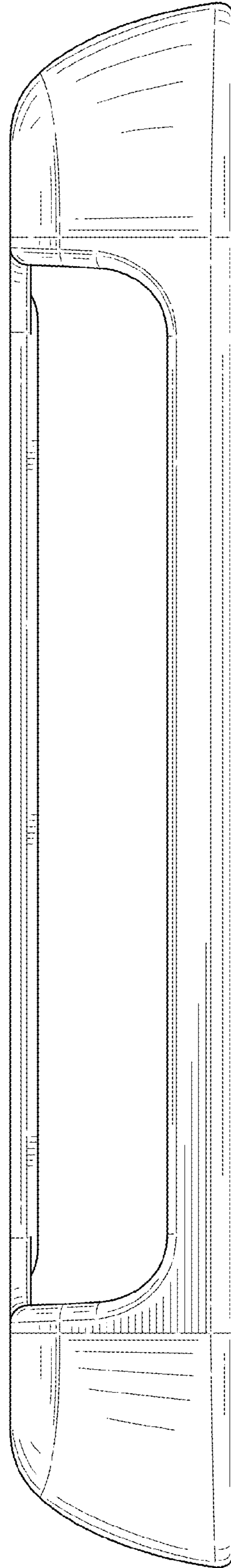


FIG. 3

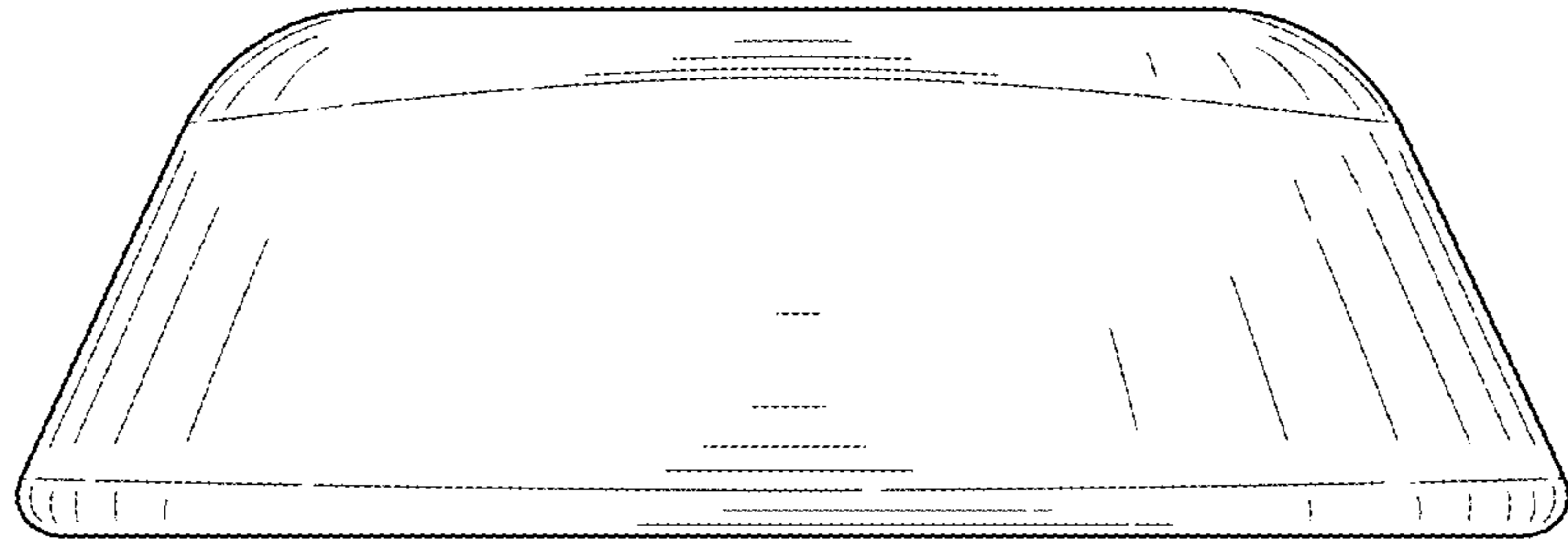


FIG. 4

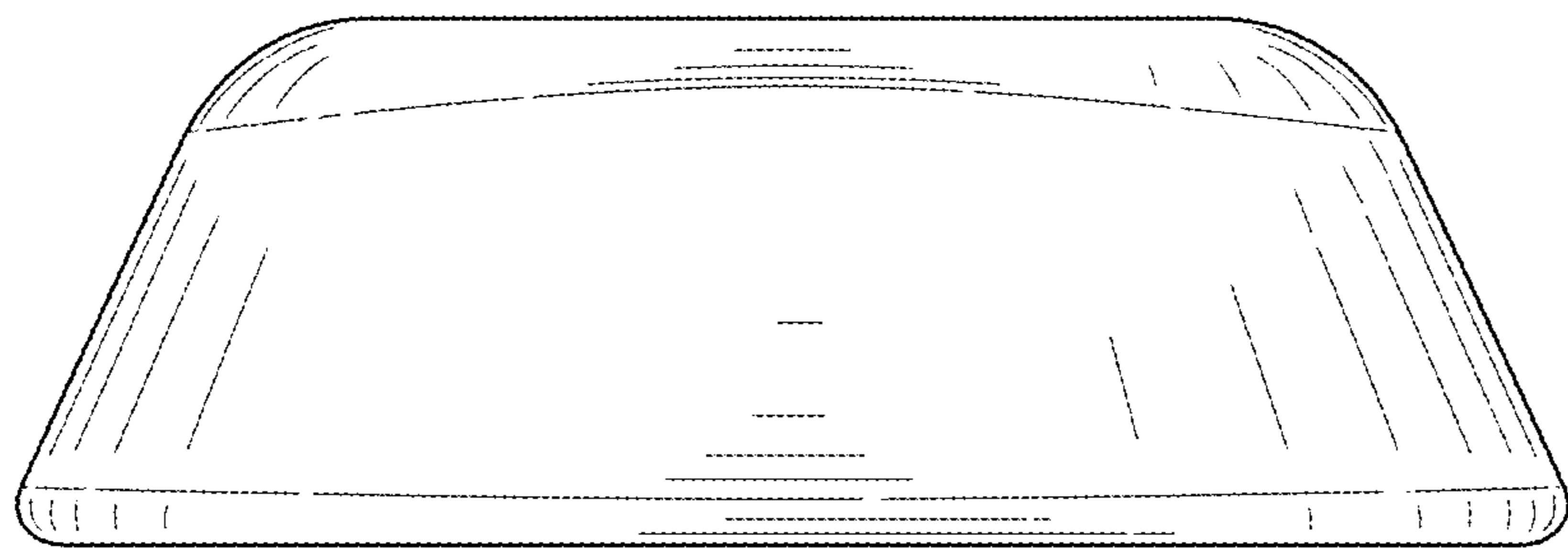


FIG. 5

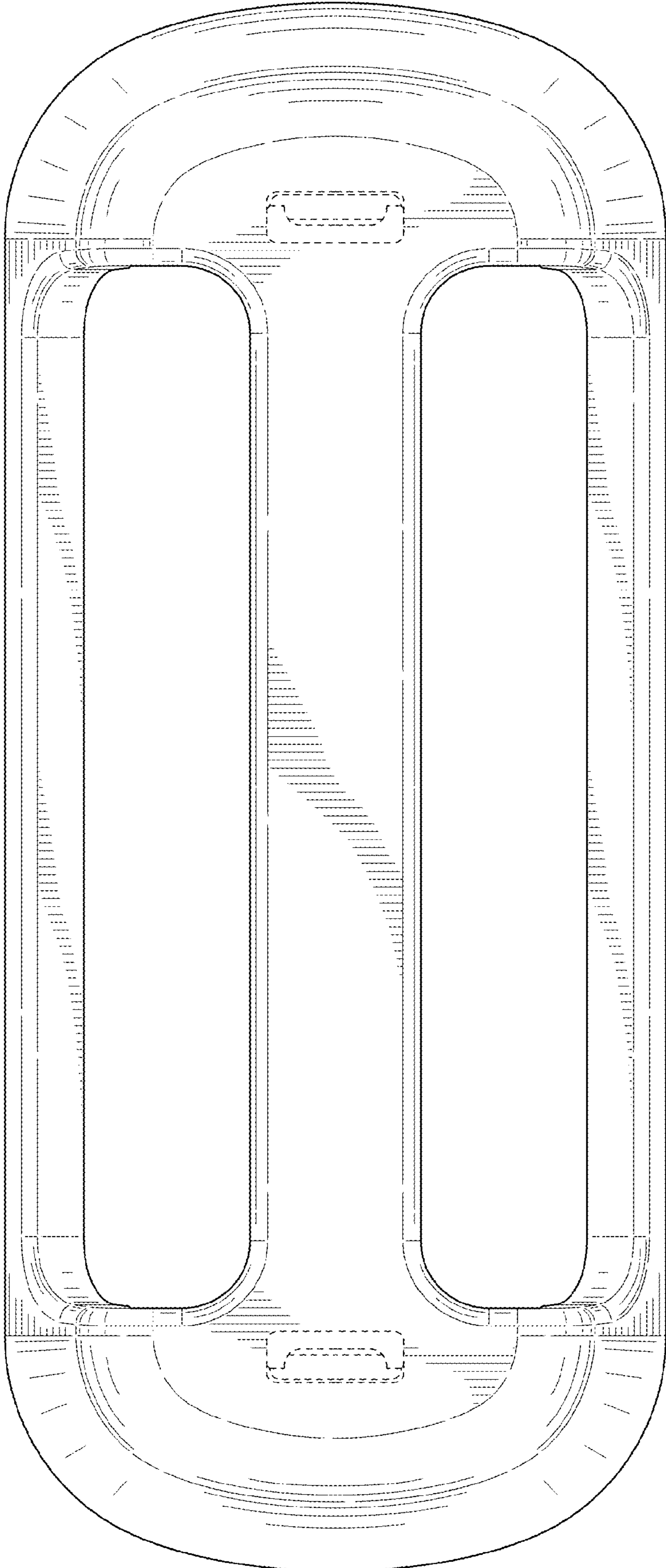


FIG. 6

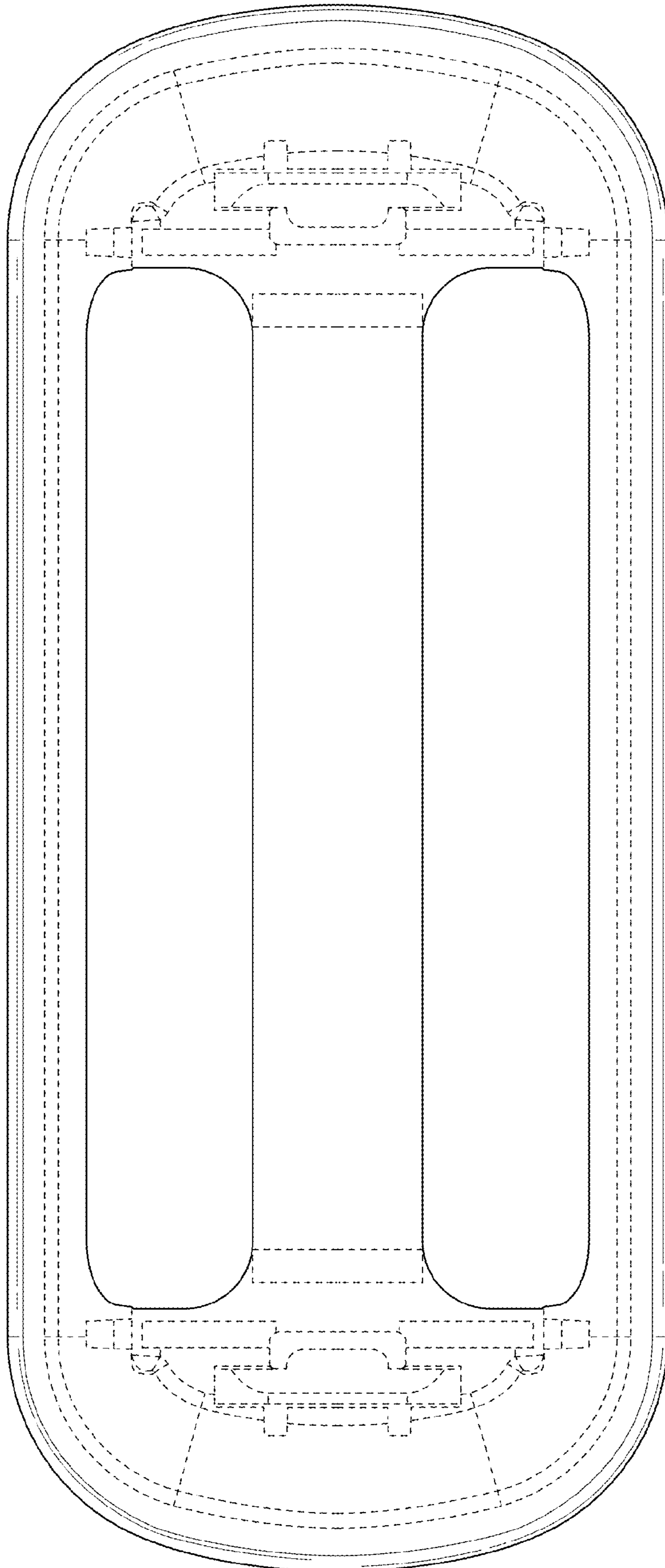


FIG. 7