



US00D921292S

(12) **United States Design Patent**
Matsuura

(10) **Patent No.:** **US D921,292 S**
(45) **Date of Patent:** **** Jun. 1, 2021**

(54) **HAIR CLIP**

(71) Applicant: **Matsuura co., Ltd.**, Tokyo (JP)

(72) Inventor: **Toru Matsuura**, Tokyo (JP)

(73) Assignee: **Matsuura co., Ltd.**, Tokyo (JP)

(**) Term: **15 Years**

(21) Appl. No.: **29/696,590**

(22) Filed: **Jun. 28, 2019**

(30) **Foreign Application Priority Data**

May 13, 2019	(JP)	2019-10310
May 13, 2019	(JP)	2019-10311
May 13, 2019	(JP)	2019-10312
May 13, 2019	(JP)	2019-10313
May 13, 2019	(JP)	2019-10314

(51) **LOC (13) Cl.** **28-03**

(52) **U.S. Cl.**
USPC **D28/40**

(58) **Field of Classification Search**
USPC D28/39, 40, 42, 43
CPC . A45D 8/00; A45D 8/002; A45D 8/14; A45D
8/16; A45D 8/18; A45D 8/20; A45D
8/22; A45D 8/24; A45D 8/30
See application file for complete search history.

(56) **References Cited**

U.S. PATENT DOCUMENTS

D449,132 S	*	10/2001	Potut	D28/40
D449,133 S	*	10/2001	Potut	D28/40

D473,016 S	*	4/2003	Shyu	D28/40
D473,678 S	*	4/2003	Shyu	D28/40
D536,132 S	*	1/2007	Vergona	D28/40
D580,102 S	*	11/2008	Pichon	D28/39
D583,991 S	*	12/2008	Pichon	D28/39
D627,099 S	*	11/2010	Tu	D28/40
D632,432 S	*	2/2011	Holloway	D28/40
D635,298 S	*	3/2011	Hsu	D28/40
D635,715 S	*	4/2011	Hsu	D28/40

* cited by examiner

Primary Examiner — Zenia I Bennett

(74) *Attorney, Agent, or Firm* — Renner, Otto, Boisselle & Sklar, LLP

(57) **CLAIM**

The ornamental design for a hair clip, as shown and described.

DESCRIPTION

FIG. 1 is a perspective view of a hair clip;
FIG. 2 is a front view thereof;
FIG. 3 is a back view thereof;
FIG. 4 is a right-side view thereof;
FIG. 5 is a left-side view thereof;
FIG. 6 is a top view thereof; and,
FIG. 7 is a bottom view thereof.
The broken lines depicting portions of the hair clip do not form part of the claimed design.
The contour lines shown in each view of the drawings are lines representing the surfaces of the solid body and are not surface pattern.

1 Claim, 7 Drawing Sheets

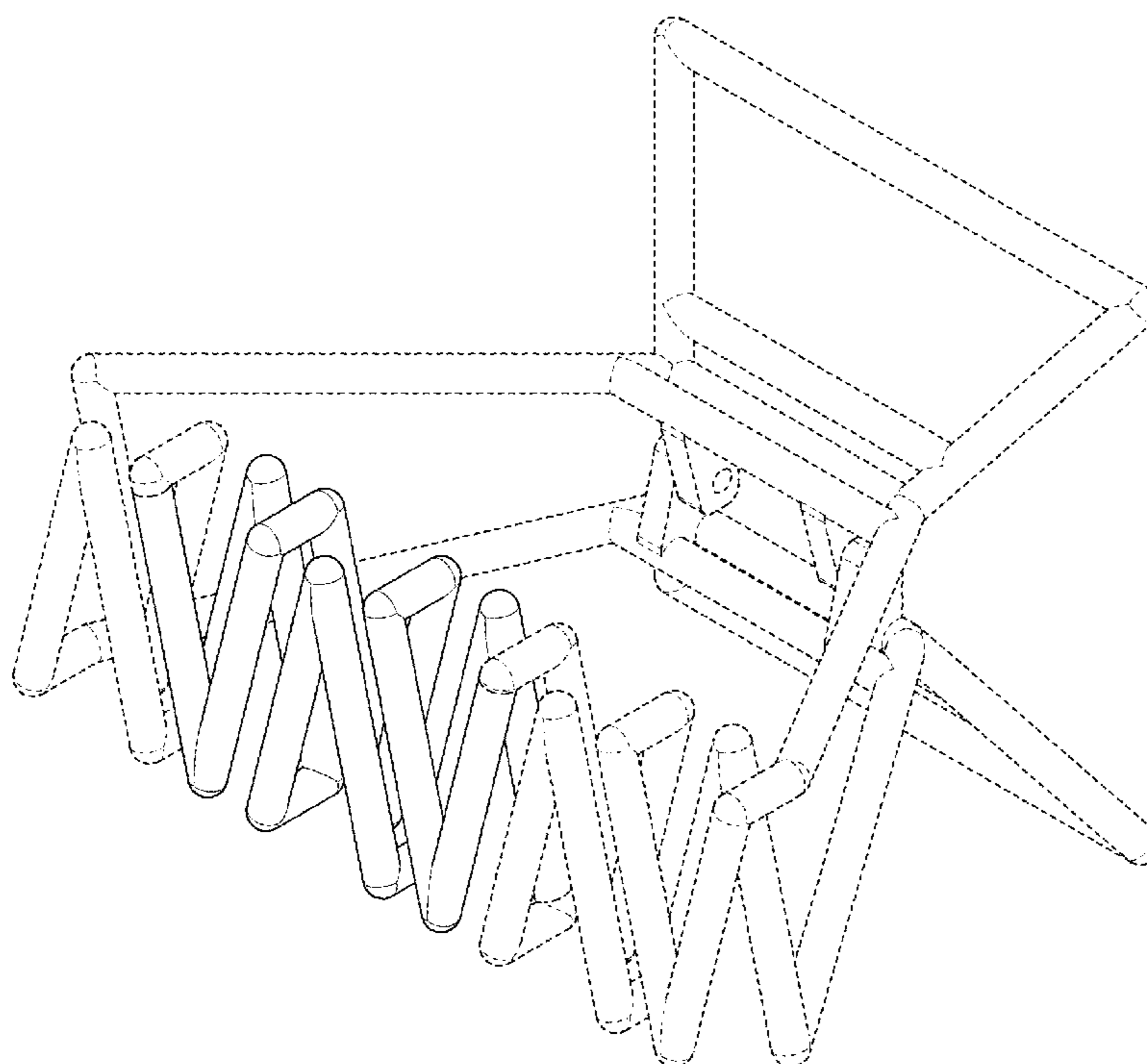


Figure 1

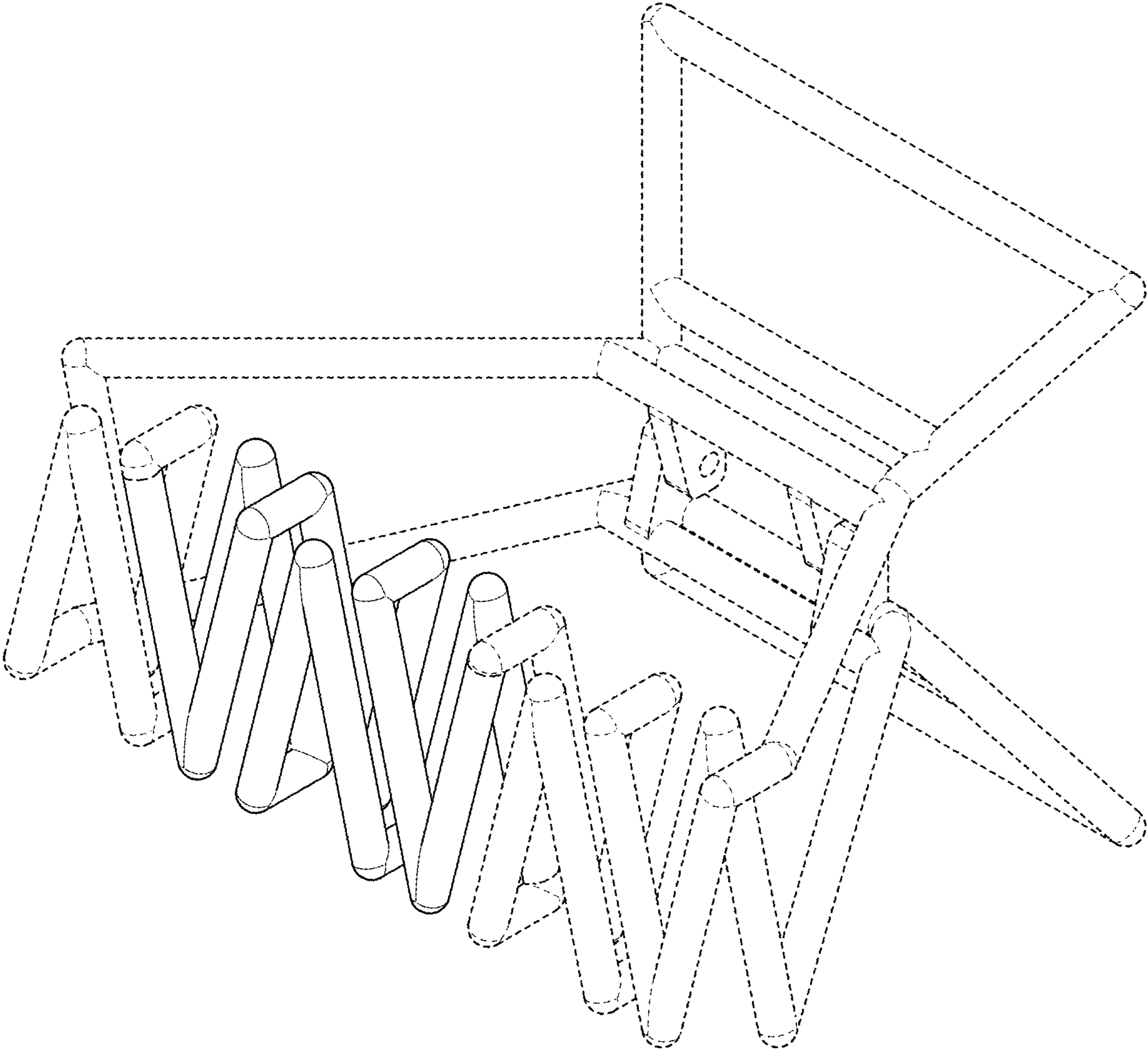


Figure 2

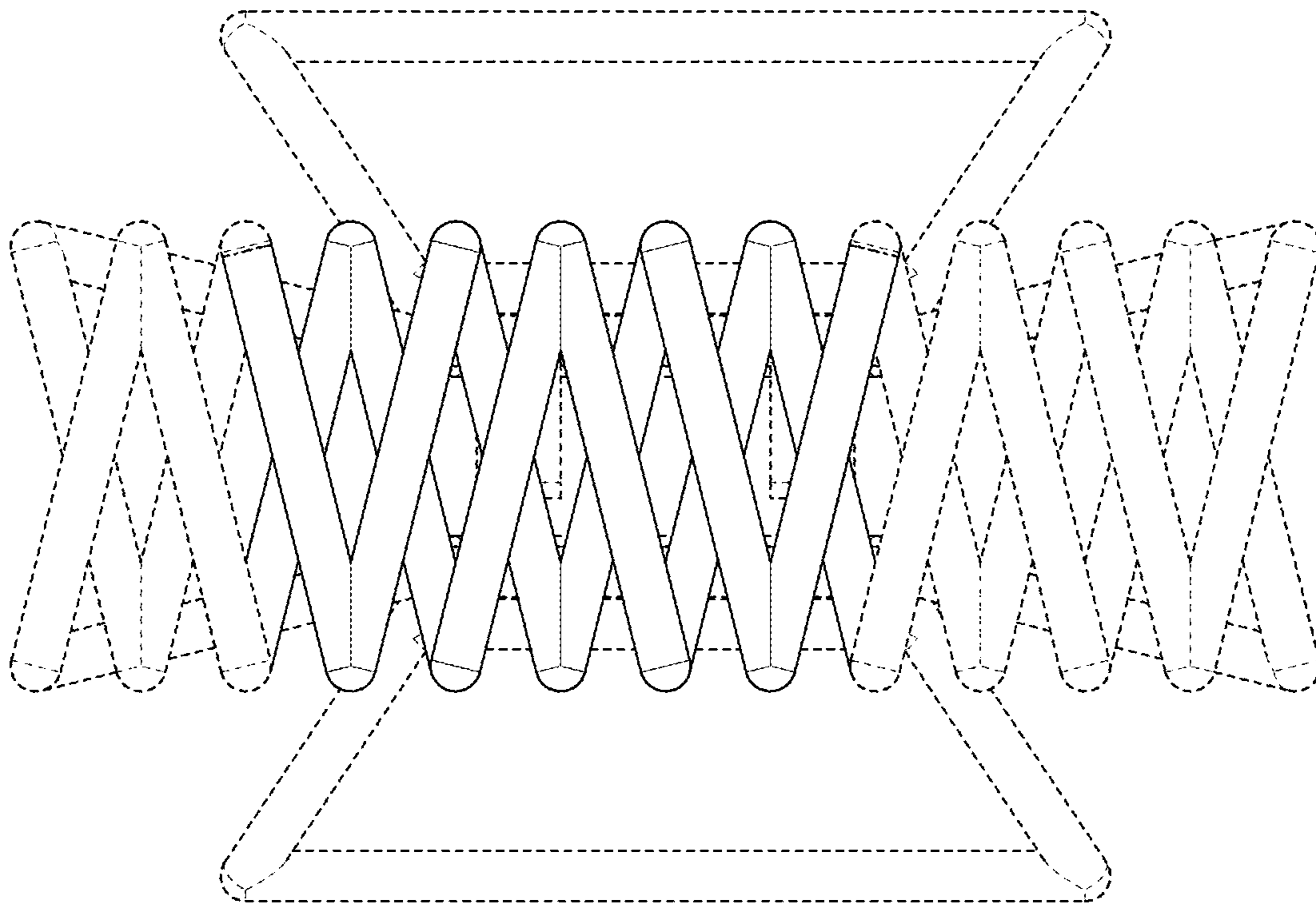


Figure 3

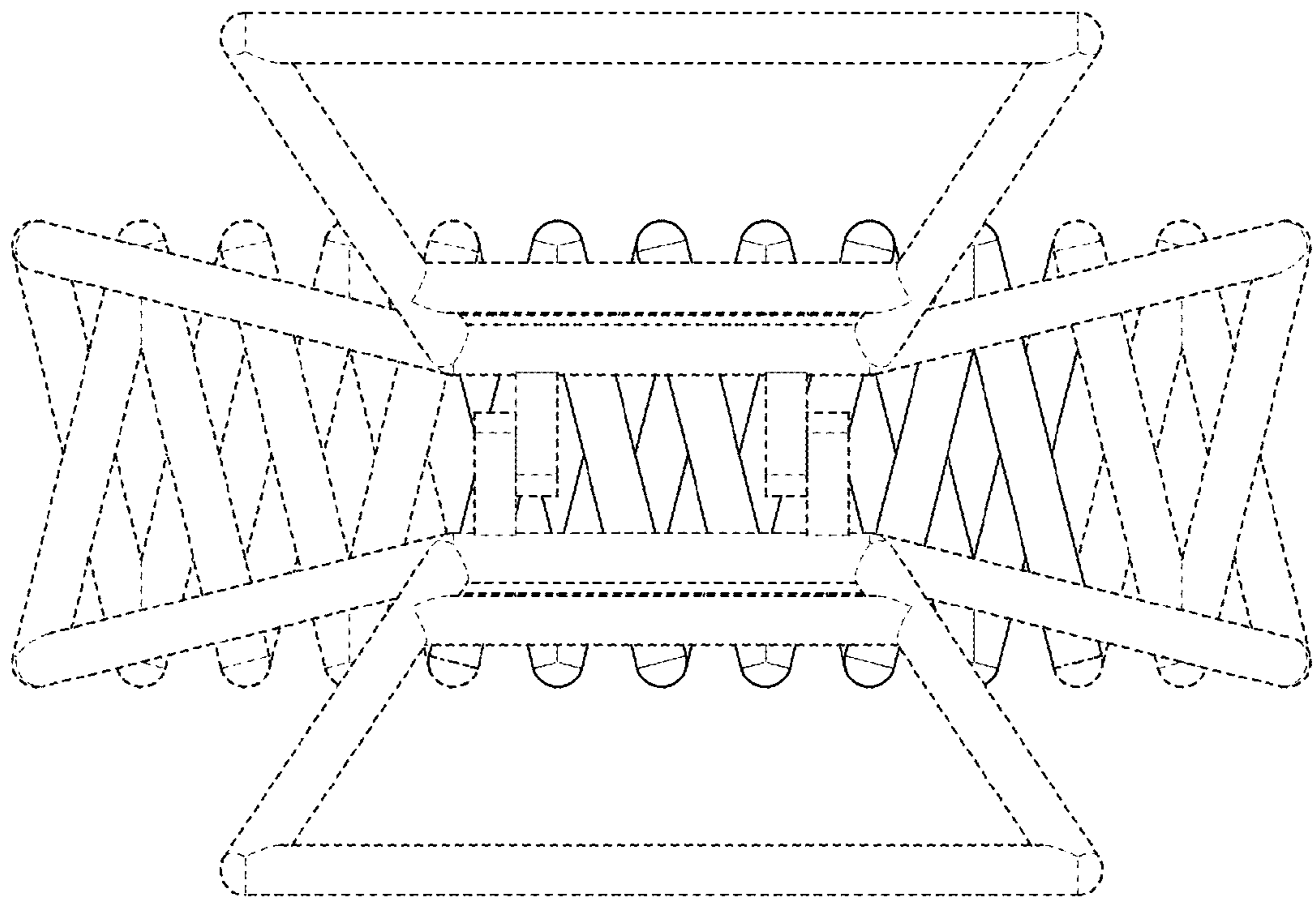


Figure 4

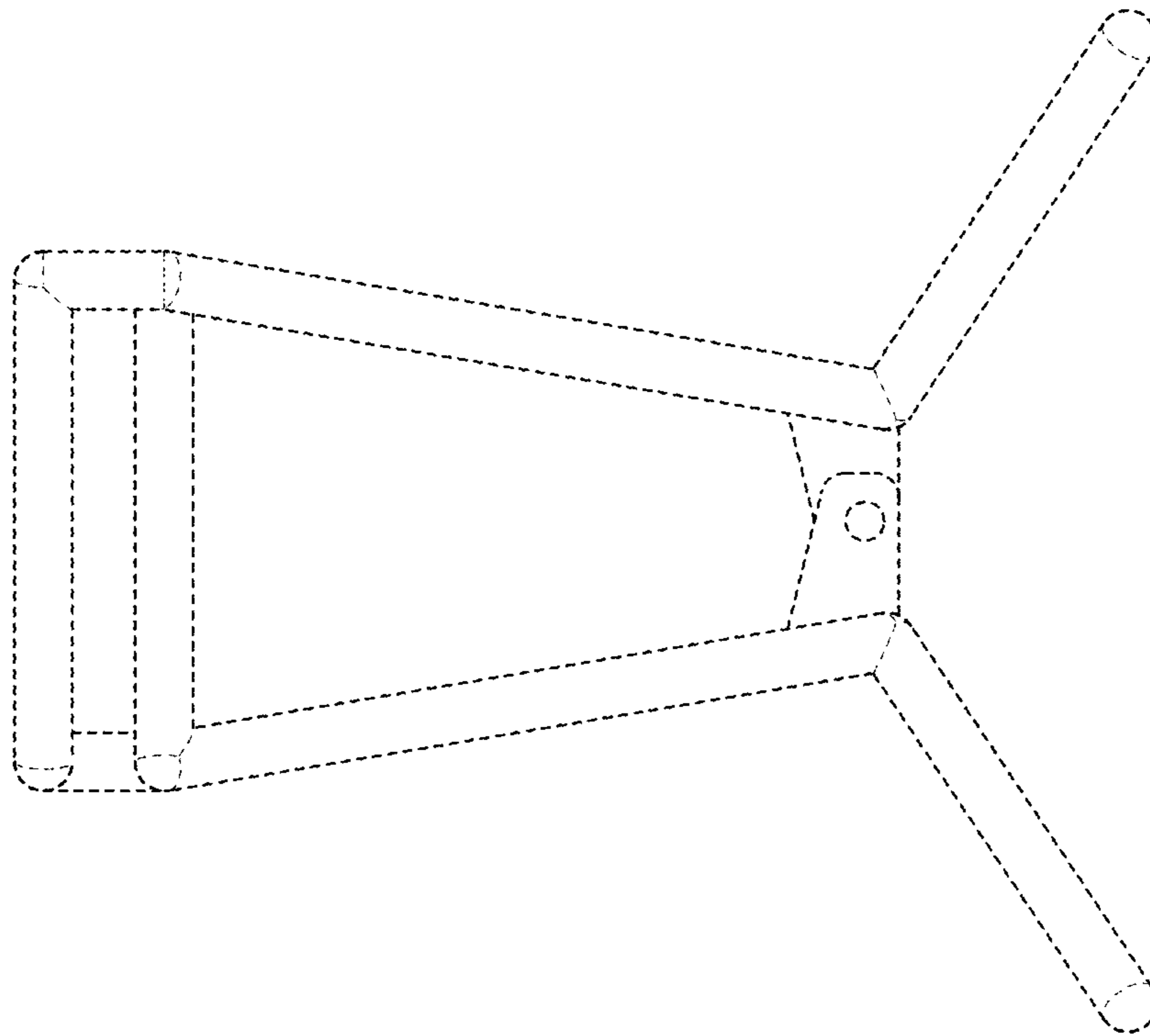


Figure 5

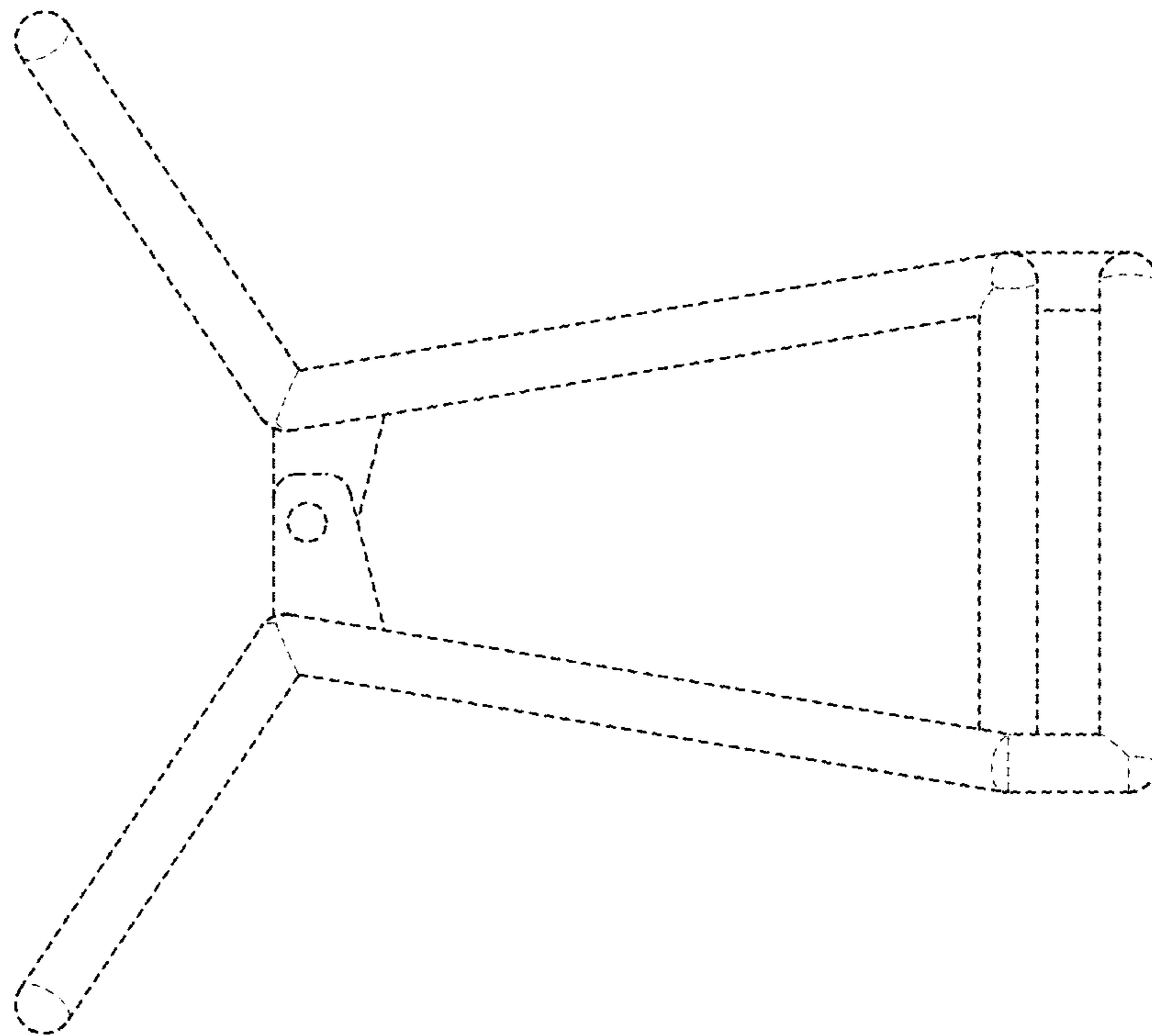


Figure 6

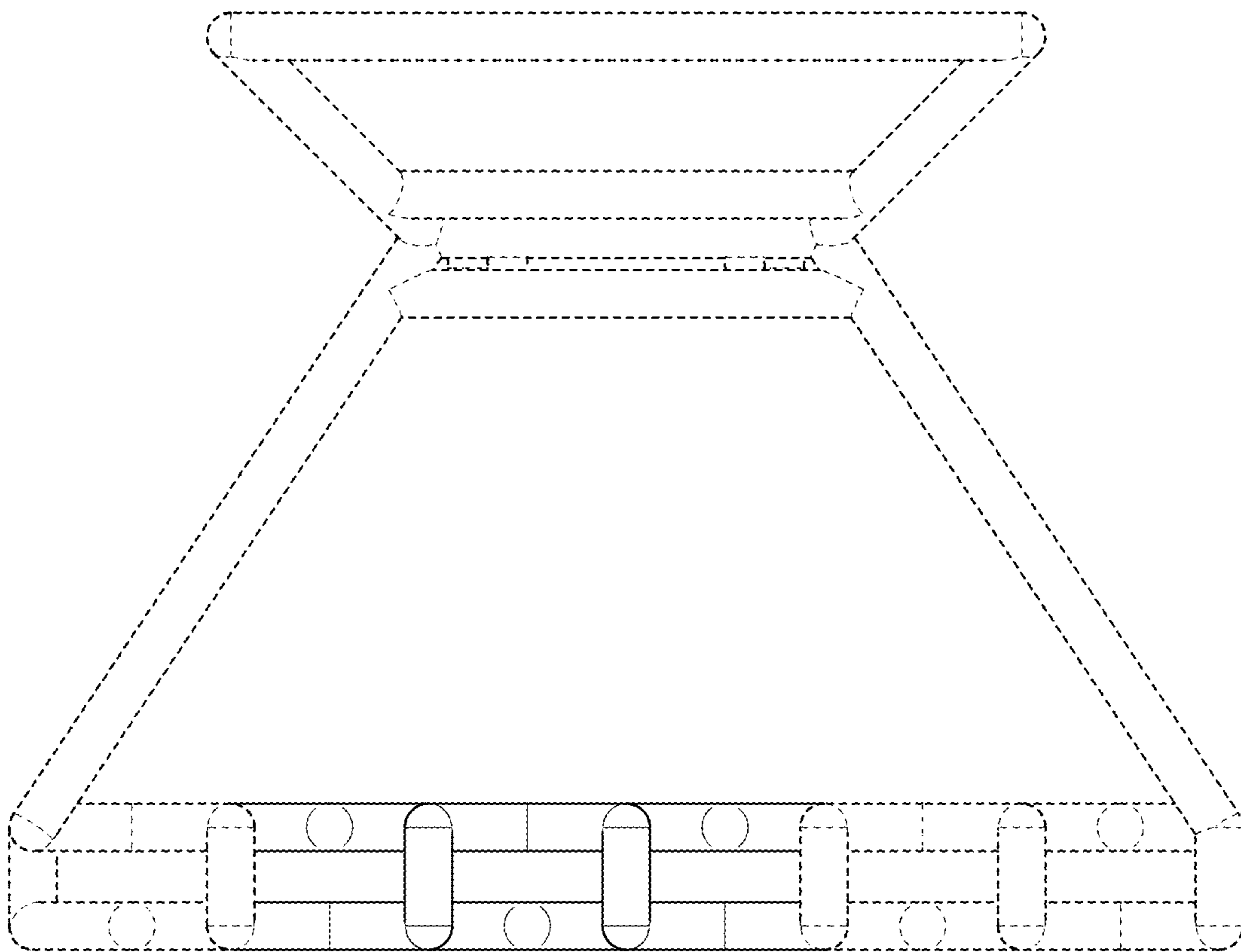


Figure 7

