



US00D921291S

(12) **United States Design Patent**
Zhang

(10) **Patent No.:** **US D921,291 S**
(45) **Date of Patent:** **** Jun. 1, 2021**

(54) **HAIR DRYING AND VOLUMIZING BRUSH**

(71) Applicant: **Yunfang Zhang**, Henan (CN)

(72) Inventor: **Yunfang Zhang**, Henan (CN)

(**) Term: **15 Years**

(21) Appl. No.: **29/716,615**

(22) Filed: **Dec. 11, 2019**

(51) **LOC (13) Cl.** **28-03**

(52) **U.S. Cl.**
USPC **D28/35; D4/100; D4/133**

(58) **Field of Classification Search**
USPC D4/100, 102, 121, 127, 128, 129, 130,
D4/132, 133, 134, 135, 136, 137, 138,
D4/199; D28/13, 24, 28, 25, 35
CPC .. A46B 5/02; A46B 9/005; A46B 9/02; A46B
9/023; A46B 9/06; A46B 15/0022; A46B
15/0024; A46B 15/003; A46B 5/0059;
A46B 15/0075; A46B 2200/1093; A46B
2200/104; A45D 2/001; A45D 2/002;
A45D 7/02; A45D 20/48

See application file for complete search history.

(56) **References Cited**

U.S. PATENT DOCUMENTS

10,098,433	B2 *	10/2018	Habibi	A45D 20/48
D879,374	S *	3/2020	Liao	D28/13
D880,061	S *	3/2020	Liao	D28/15
D901,772	S *	11/2020	Huang	D28/35
D901,898	S *	11/2020	Zhanye	D4/102
D902,482	S *	11/2020	Koenemann	D28/35
D902,603	S *	11/2020	Zhanye	D4/102

D903,941	S *	12/2020	Koenemann	D28/35
D908,956	S *	1/2021	Kwok	D28/35
2015/0135455	A1 *	5/2015	Reusche	A46B 9/023 15/160
2016/0100681	A1 *	4/2016	Smal	A45D 20/50 132/238
2018/0049533	A1 *	2/2018	Tang	A46B 9/023

FOREIGN PATENT DOCUMENTS

CN	304060220	*	2/2017
EM	003419027-0001	*	11/2016
EM	006384814-0001	*	5/2019
EM	006884490-0001	*	10/2019
EM	007330121-0001	*	12/2019
GB	608213	*	12/2019

* cited by examiner

Primary Examiner — Karen E Eldridge Powers

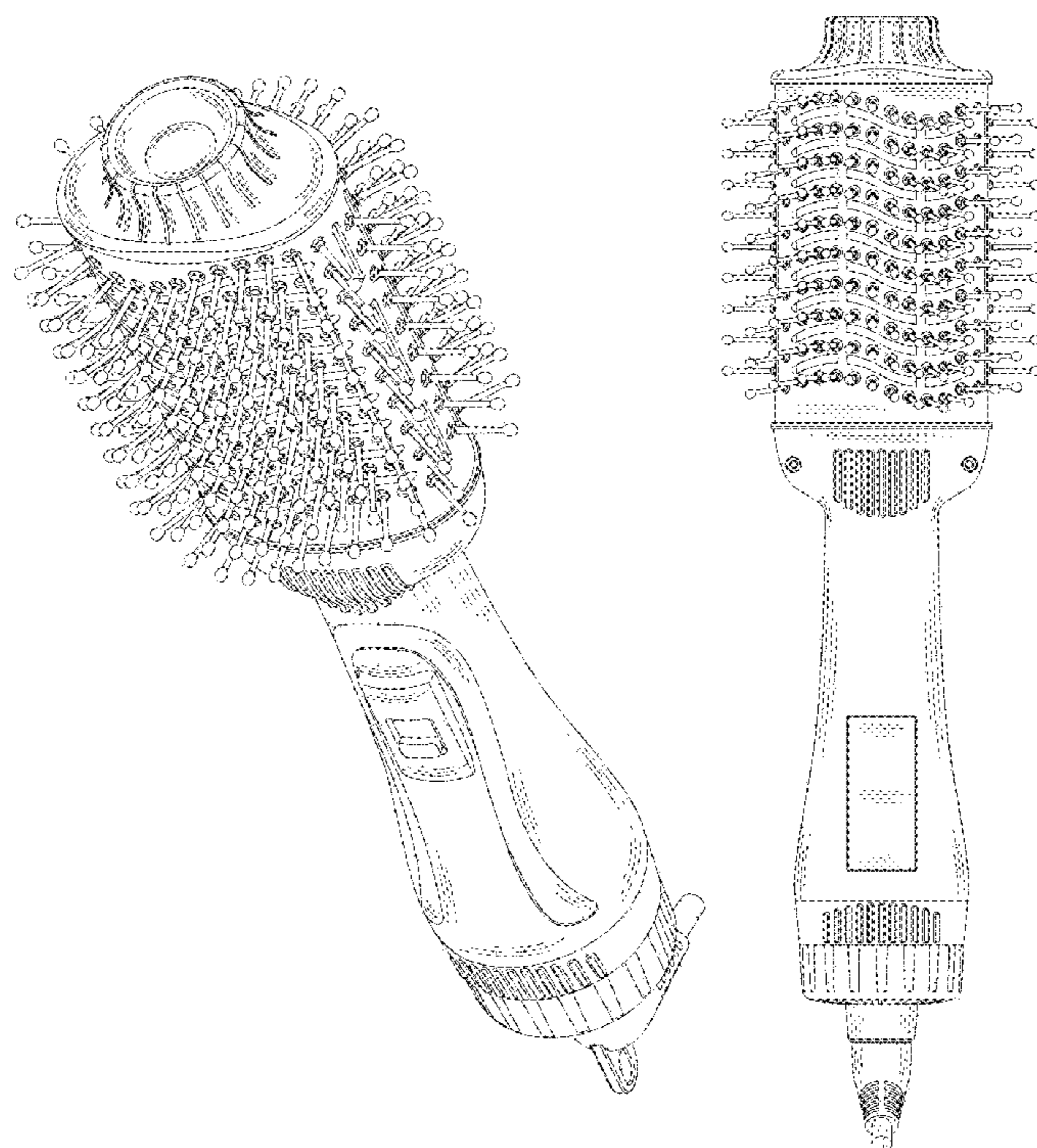
(57) **CLAIM**

The ornamental design for a hair drying and volumizing brush, as shown and described.

DESCRIPTION

FIG. 1 is a top, front and left side perspective view of a hair drying and volumizing brush showing my new design. FIG. 2 is a front elevation view thereof; FIG. 3 is a rear elevation view thereof; FIG. 4 is a left side elevation view thereof; FIG. 5 is a right side elevation view thereof; FIG. 6 is a top plan view thereof; and, FIG. 7 is a bottom plan view thereof.

1 Claim, 7 Drawing Sheets



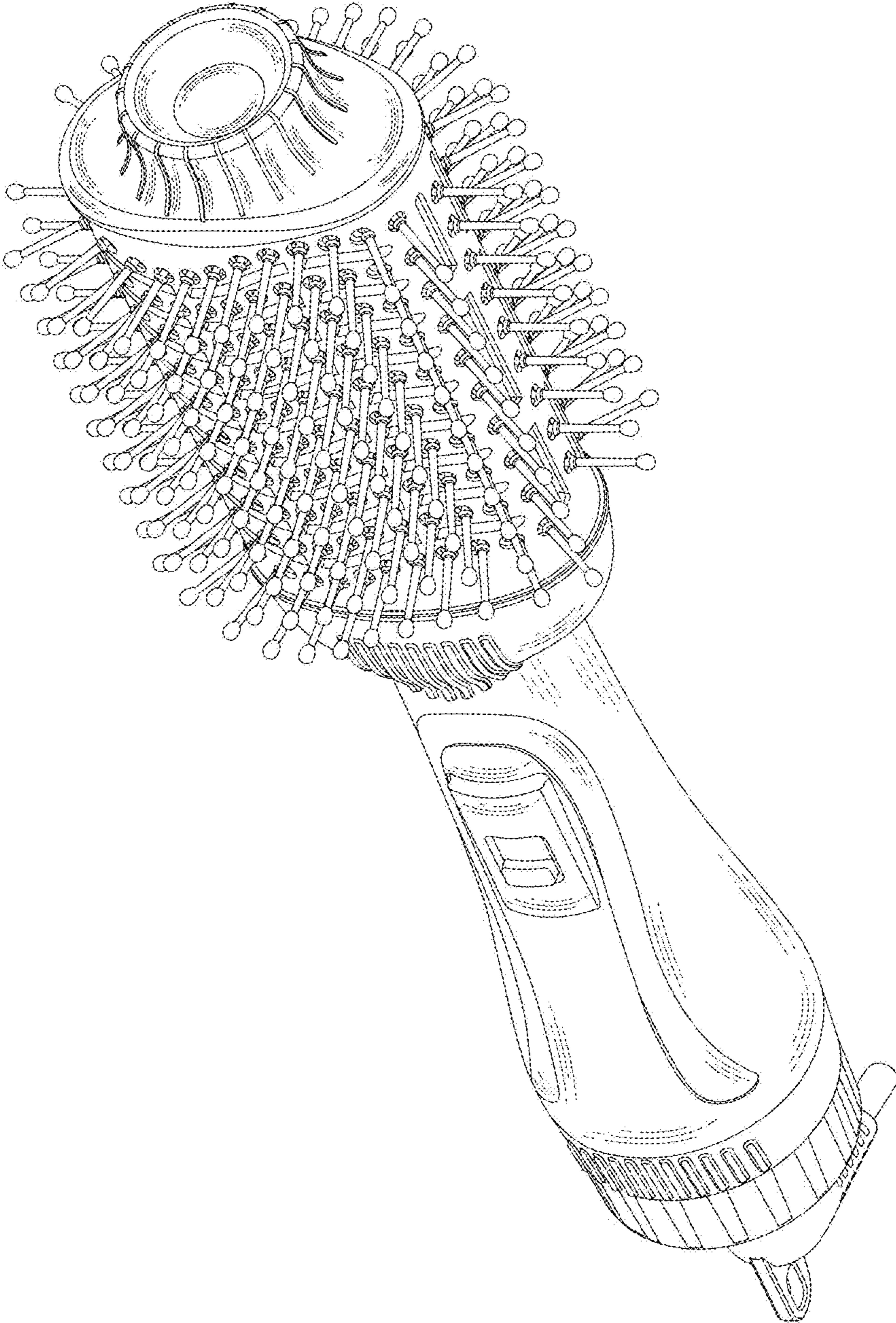


FIG.1

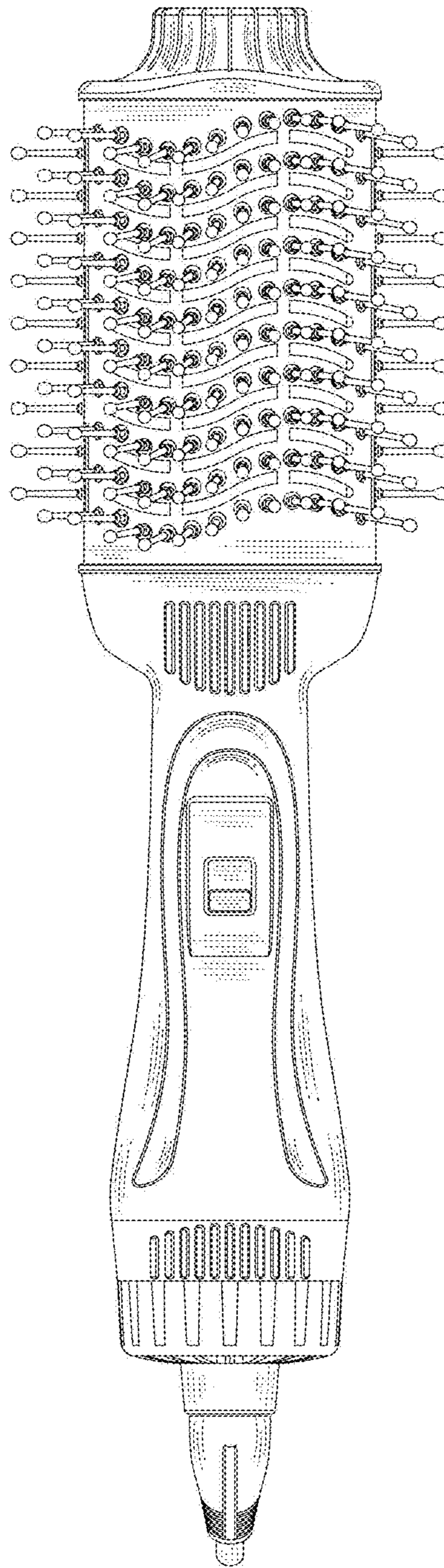


FIG.2

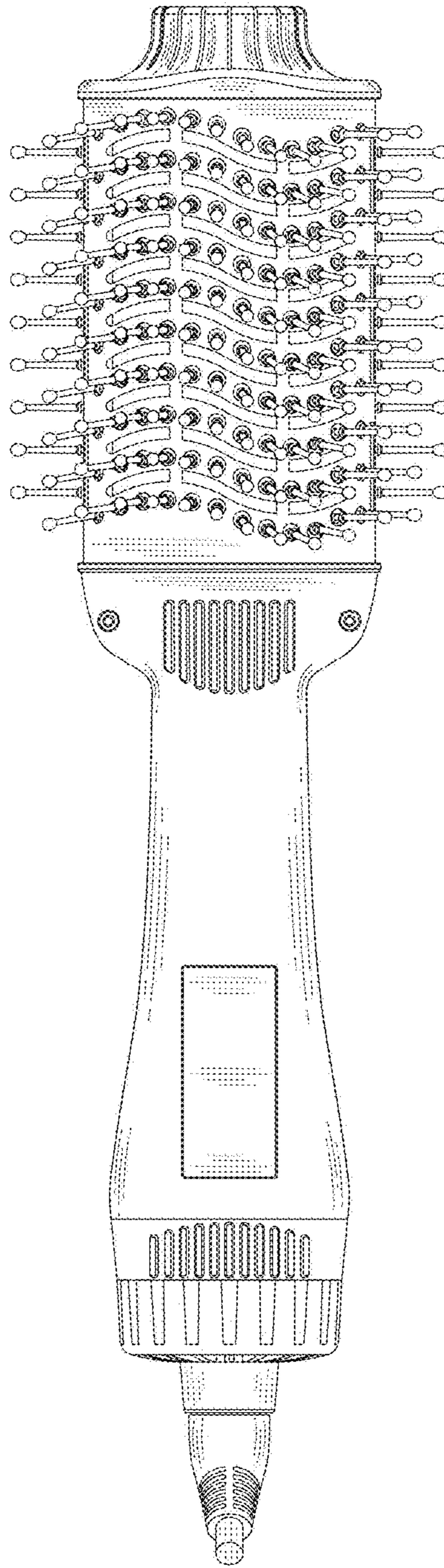


FIG.3

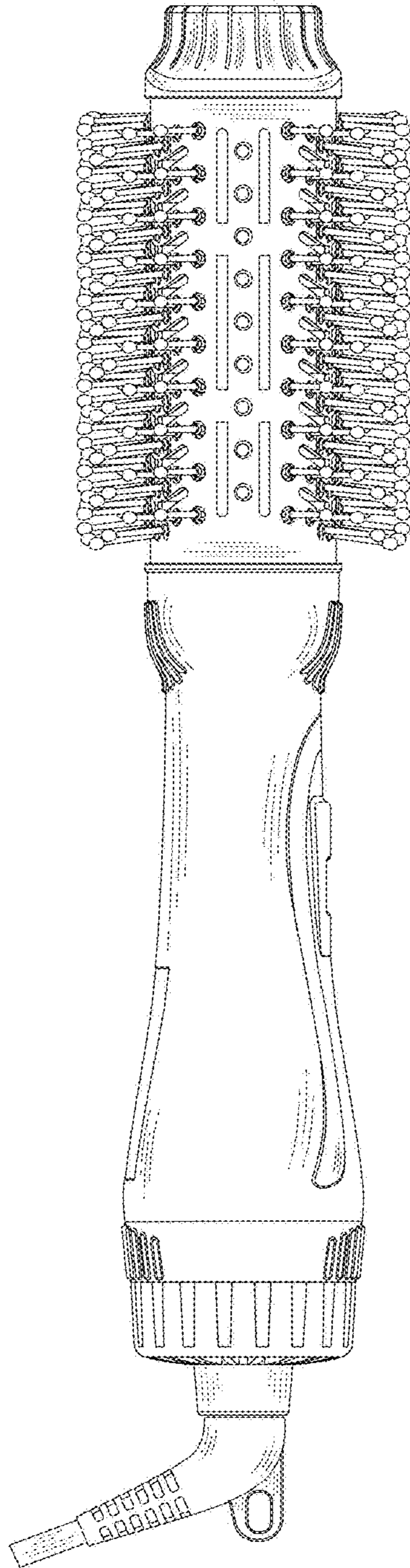


FIG.4

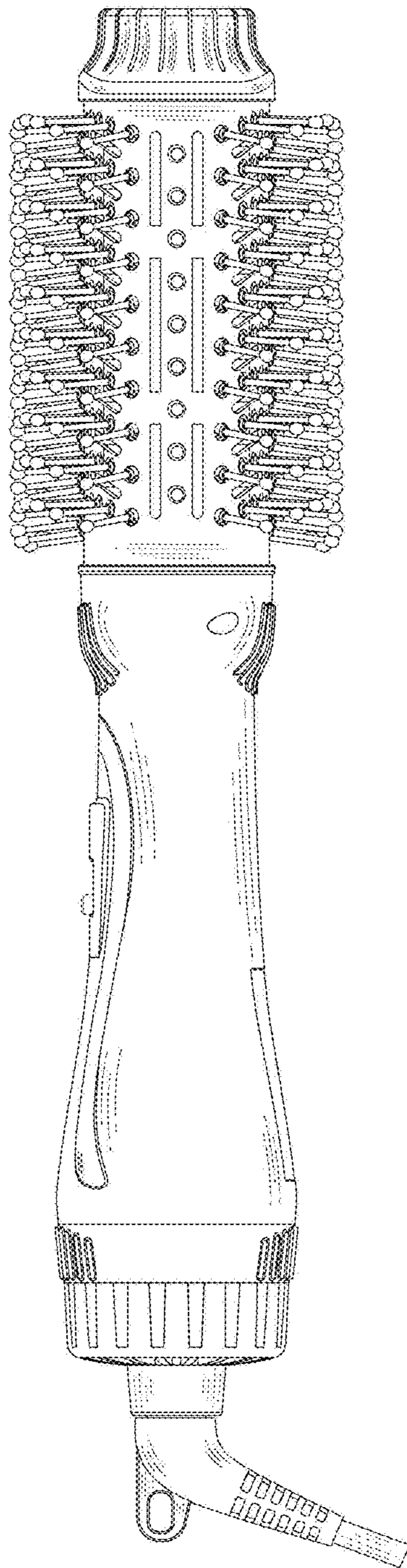


FIG.5

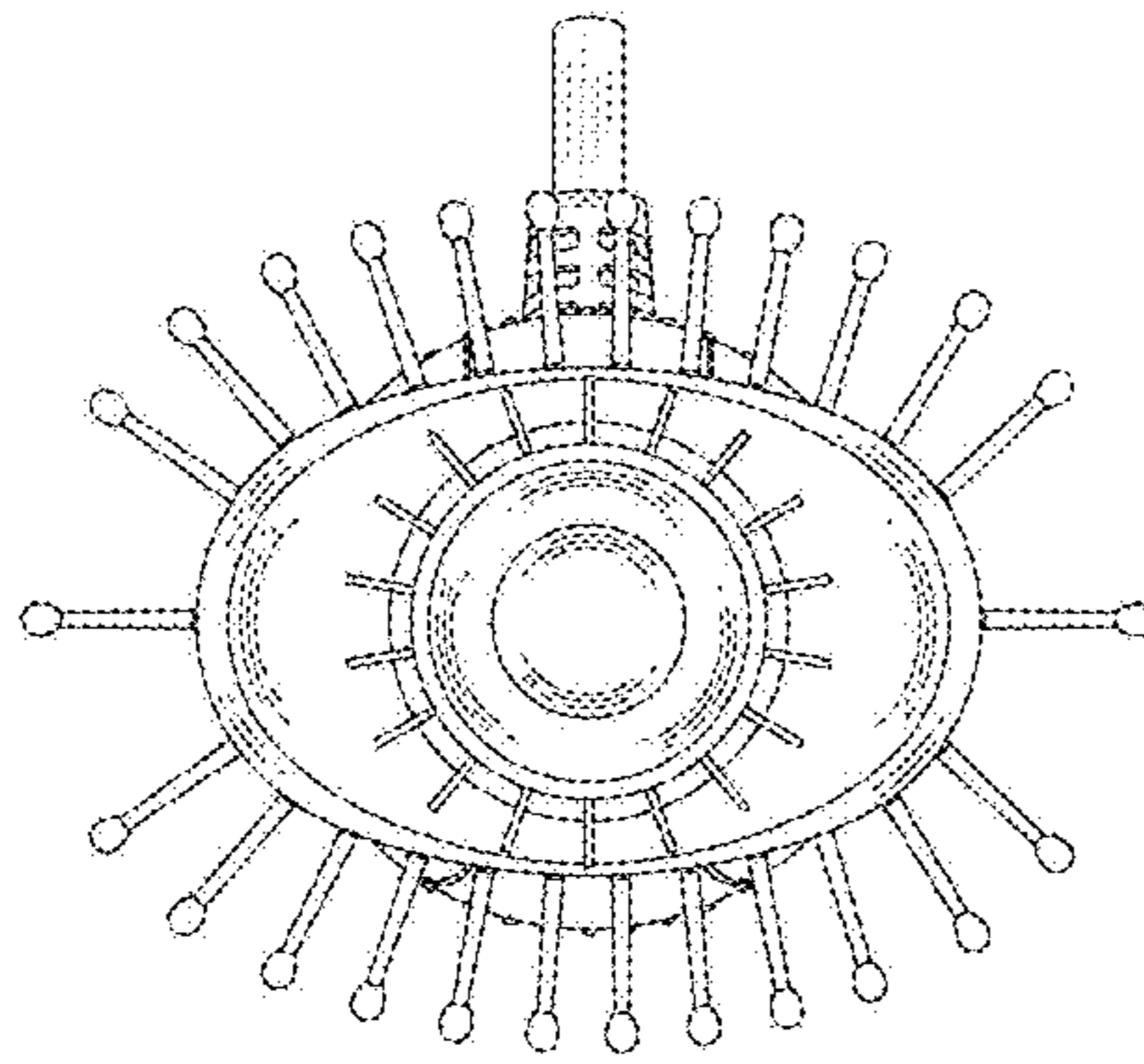


FIG.6

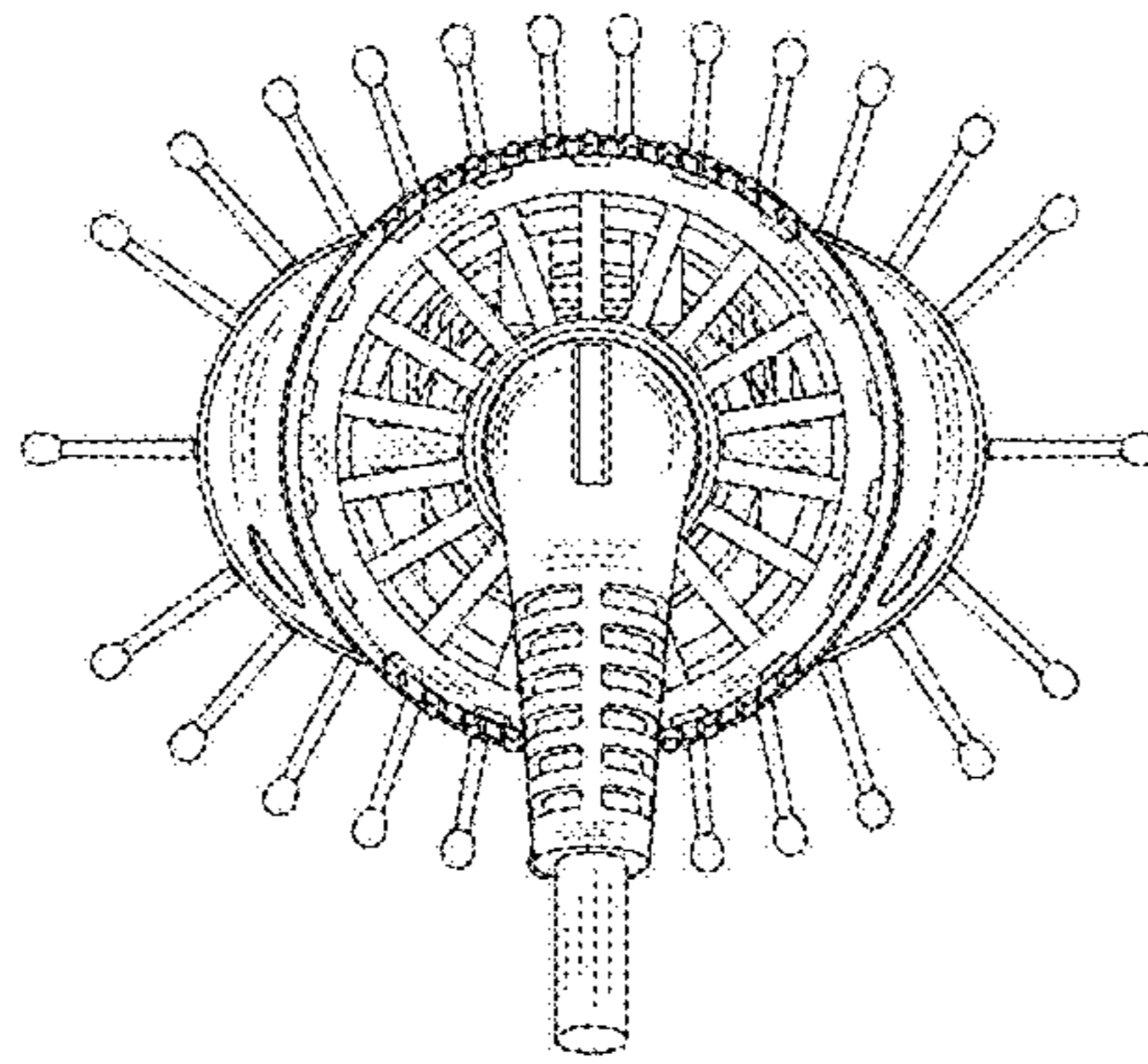


FIG. 7