



US00D921290S

(12) **United States Design Patent**
Yang

(10) **Patent No.:** **US D921,290 S**
(45) **Date of Patent:** **** Jun. 1, 2021**

(54) **HAIR CURLER**

(71) Applicant: **Shenzhen Shenchuang Electrical Appliance Co., Ltd, Guangdong (CN)**

(72) Inventor: **Yanguo Yang, Guangdong (CN)**

(73) Assignee: **Shenzhen Shenchuang Electrical Appliance Co., Ltd, Shenzhen (CN)**

(**) Term: **15 Years**

(21) Appl. No.: **29/702,609**

(22) Filed: **Aug. 20, 2019**

(30) **Foreign Application Priority Data**

May 23, 2019 (CN) 201930257795.8

(51) **LOC (13) Cl.** **28-03**

(52) **U.S. Cl.**
USPC **D28/35**

(58) **Field of Classification Search**
USPC D28/10, 35, 37, 38
CPC A45D 2/00; A45D 2/001; A45D 2/002;
A45D 2/02; A45D 2/04; A45D 2/06;
A45D 2/08; A45D 2/10; A45D 2/12-22;
A45D 2/24-34; A45D 2/36-367; A45D
1/00; A45D 1/04

See application file for complete search history.

(56) **References Cited**

U.S. PATENT DOCUMENTS

- 4,365,140 A * 12/1982 Bast A45D 1/04
132/232
- 4,731,519 A * 3/1988 Dieterle A45D 1/04
132/232
- 4,953,574 A * 9/1990 Tsuji A45D 1/04
132/232
- 5,893,375 A * 4/1999 Majors A45D 1/00
132/232
- D561,937 S * 2/2008 Leung D28/35

- D629,563 S * 12/2010 Mau D28/35
- D698,488 S * 1/2014 Byun D28/35
- D726,961 S * 4/2015 Sayers D28/35
- D748,331 S * 1/2016 Prats D28/35
- D786,506 S * 5/2017 Ceva D28/35
- D821,031 S * 6/2018 Feng D28/35
- D833,676 S * 11/2018 Lee D28/35
- D851,831 S * 6/2019 Fan D28/35
- D872,360 S * 1/2020 Abramov D28/35

(Continued)

OTHER PUBLICATIONS

NITION Professional Salon Curling Iron Set, reviewed on Aug. 17, 2019 on amazon.com, retrieved on Nov. 12, 2020, retrieved from the Internet URL: <https://www.amazon.com/NITION-Professional-Tourmaline-Titanium-265%C2%B0F-450%C2%B0F/dp/B07TD8KQDV?th=1>.*

Primary Examiner — Jennifer Rivard
Assistant Examiner — Alison M Ofstun

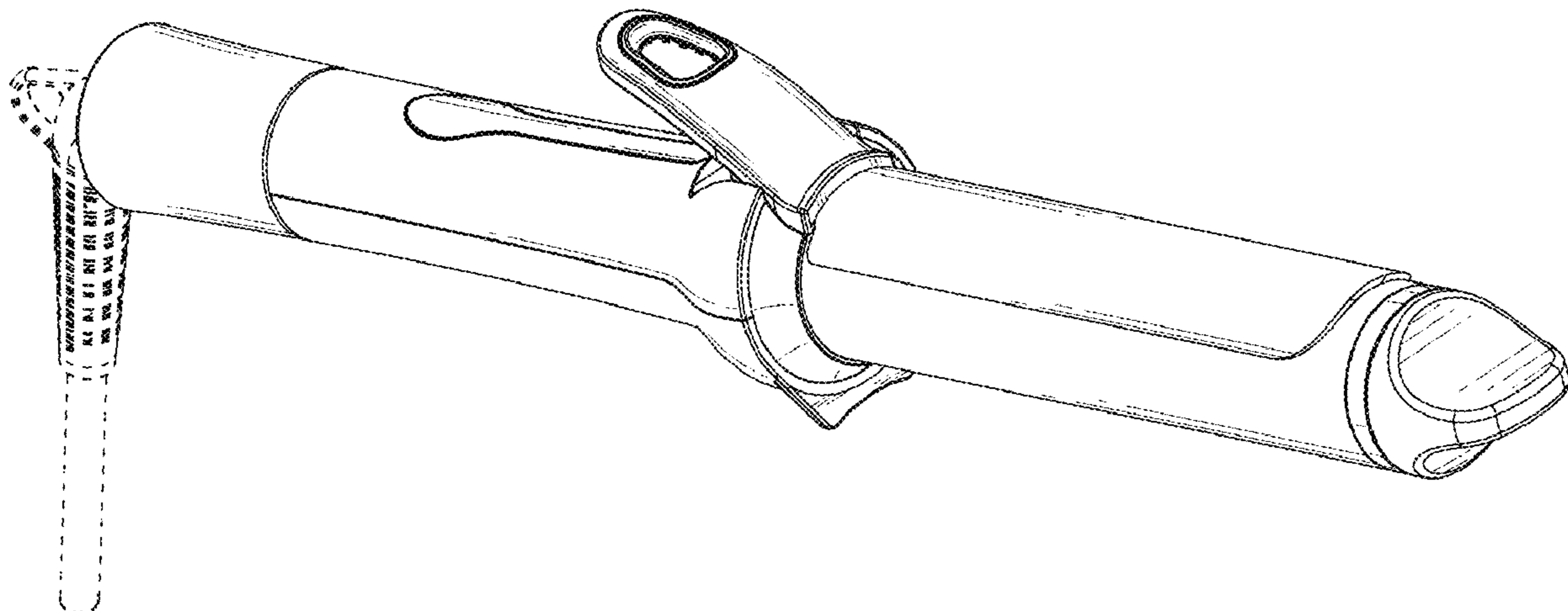
(57) **CLAIM**

The ornamental design for a hair curler, as shown and described.

DESCRIPTION

FIG. 1 is a front elevational view of a hair curler showing my new design;
FIG. 2 is a rear elevational view thereof;
FIG. 3 is a left side view thereof;
FIG. 4 is a right side view thereof;
FIG. 5 is a top plan view thereof;
FIG. 6 is a bottom plan view thereof;
FIG. 7 is a rear, top and left side perspective view thereof;
FIG. 8 is a front, top and right side perspective view thereof;
and,
FIG. 9 is a front, bottom and right side perspective view thereof.
The broken lines in the drawings illustrate portions of the hair curler which form no part of the claimed design.

1 Claim, 9 Drawing Sheets



(56)

References Cited

U.S. PATENT DOCUMENTS

D875,311 S *	2/2020	Yang	D28/35
D884,271 S *	5/2020	Liao	D28/35
2011/0203606 A1*	8/2011	Recchion	A45D 1/04 132/269

* cited by examiner

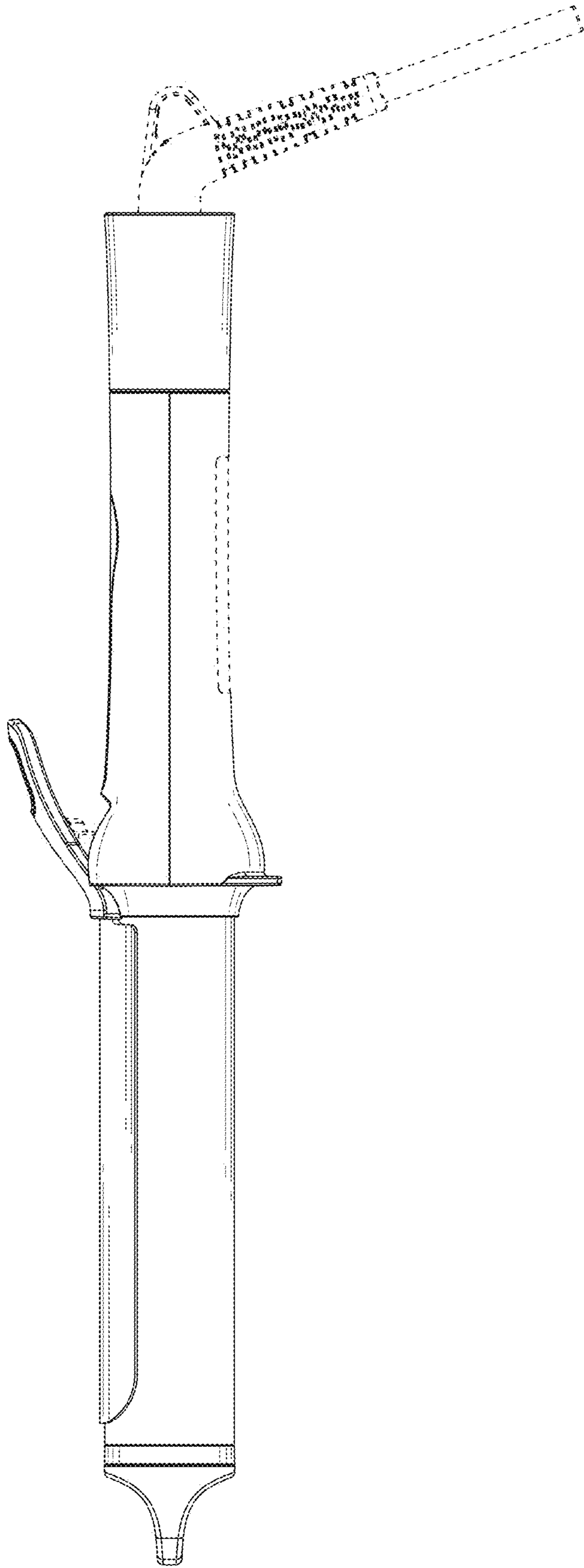


Fig. 1

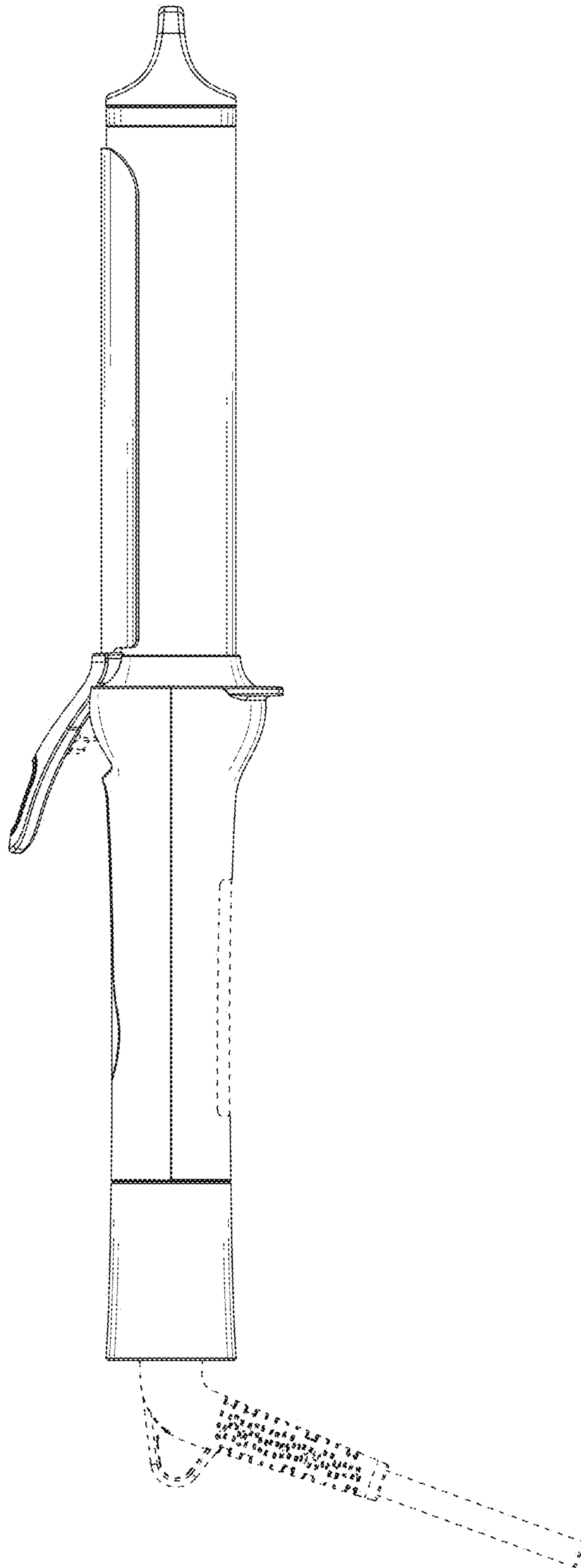


Fig. 2

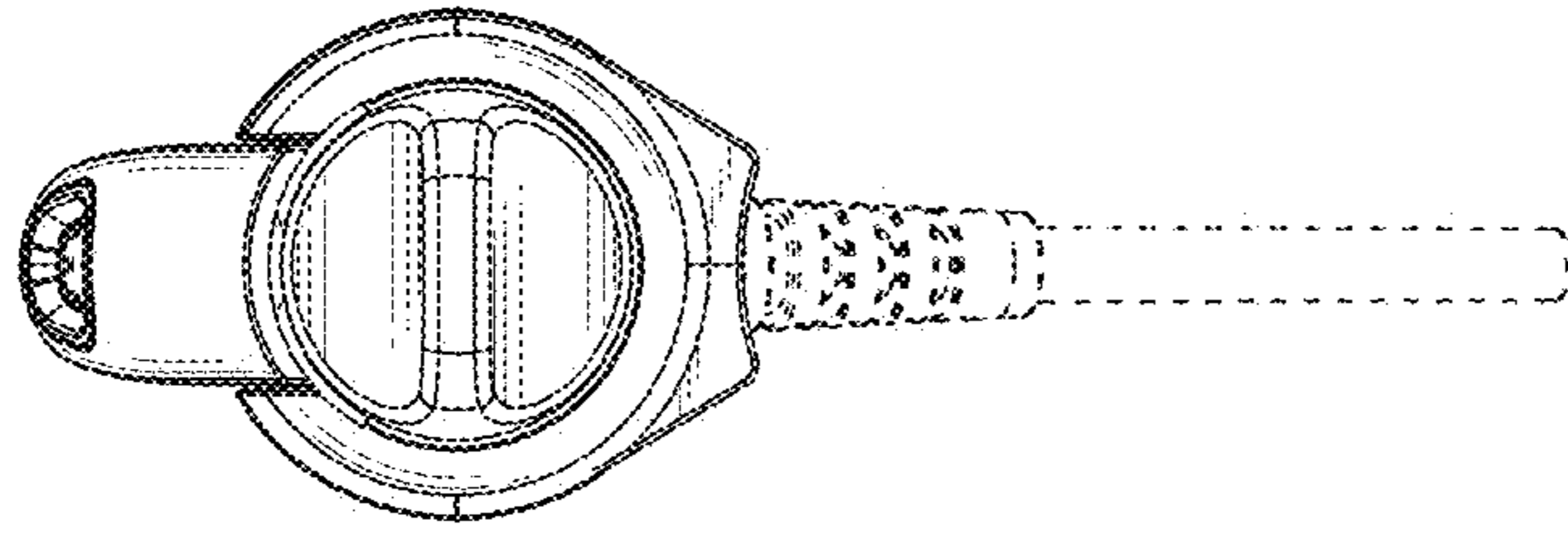


Fig. 3

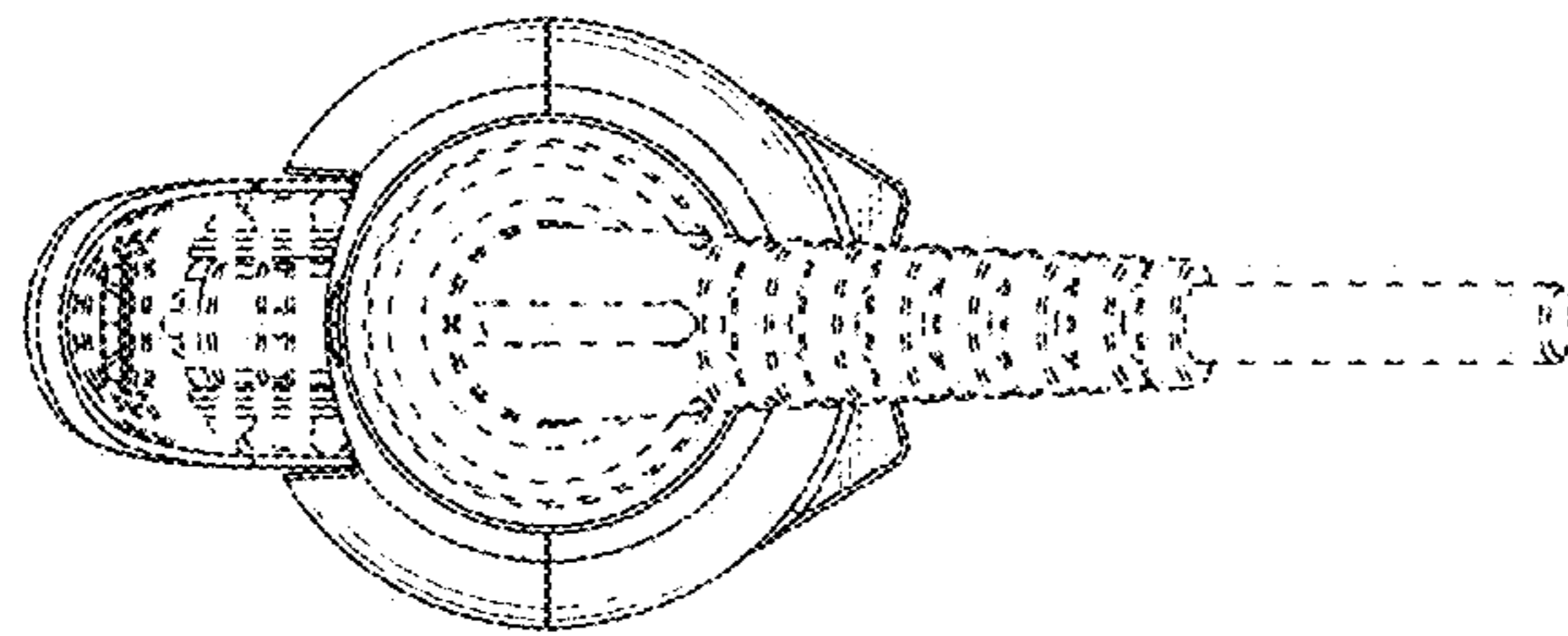


Fig. 4

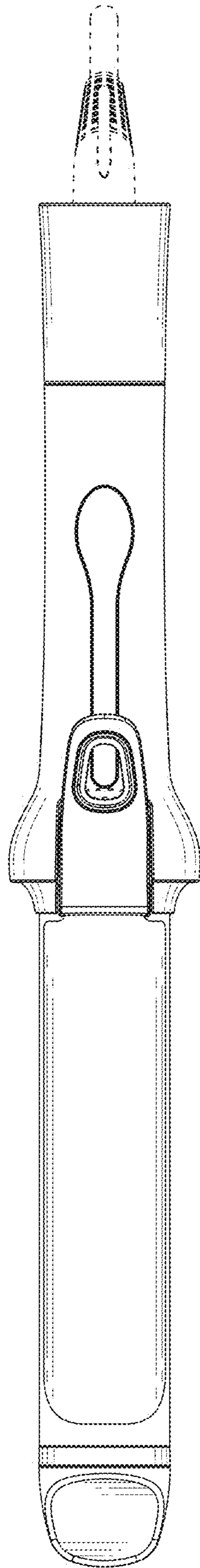


Fig. 5

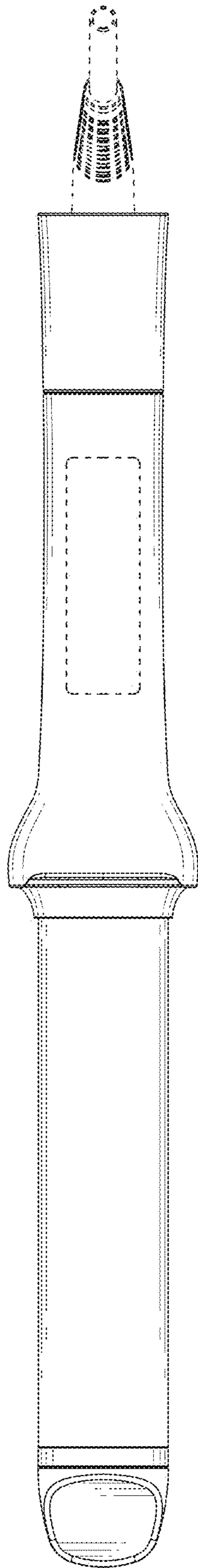


Fig. 6

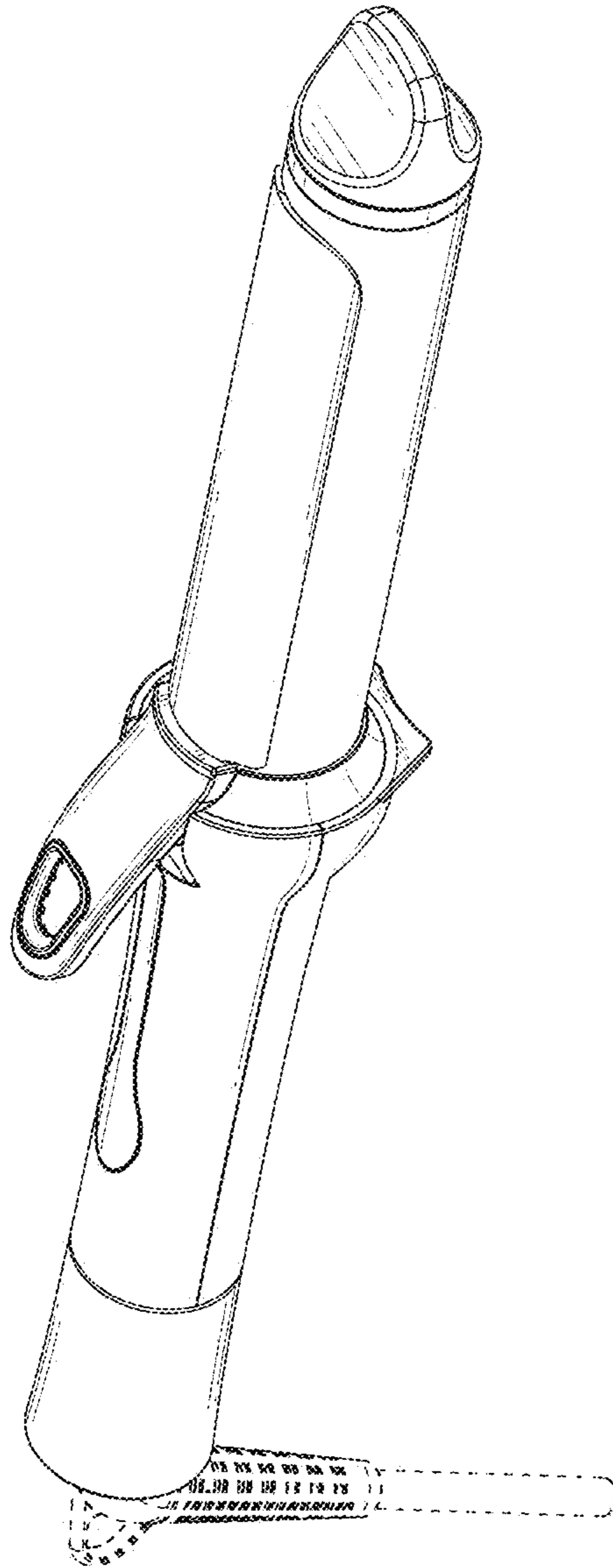


Fig. 7

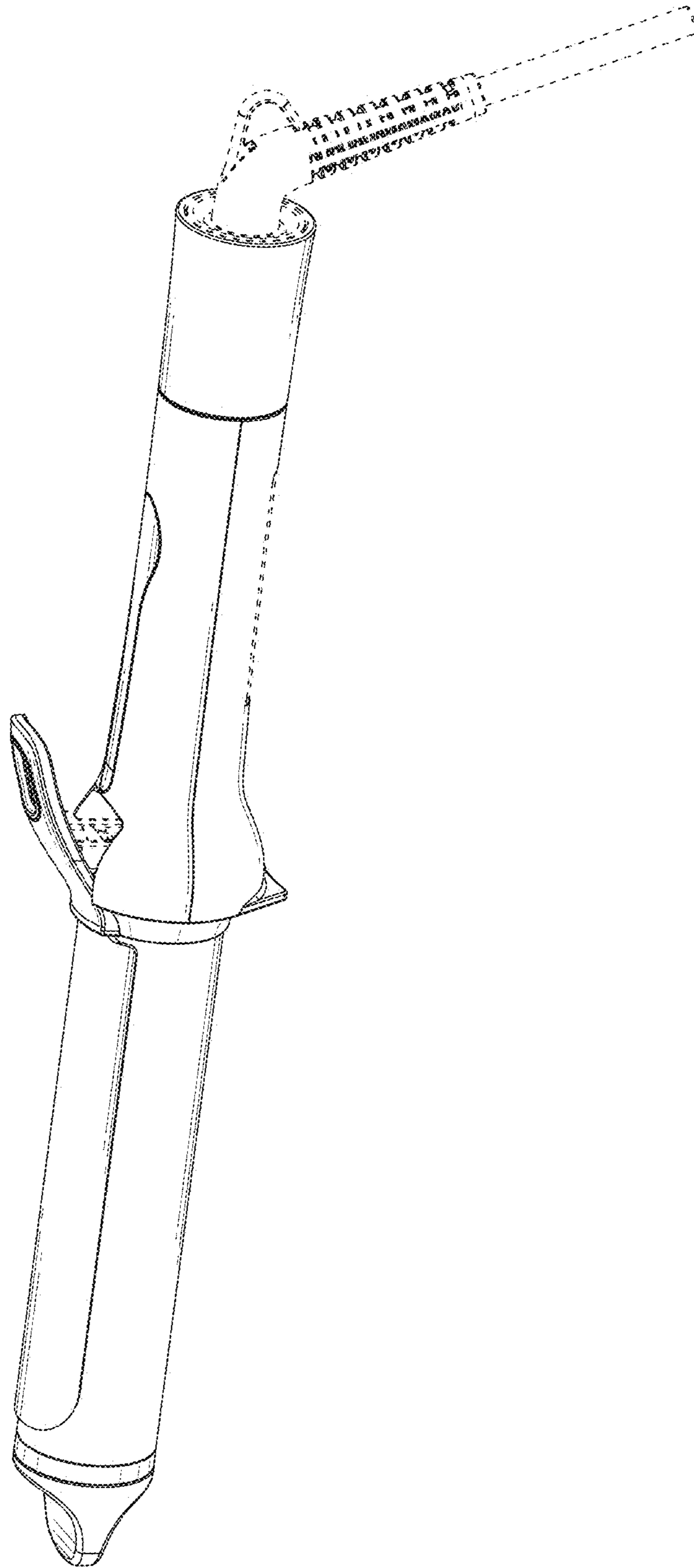


Fig. 8

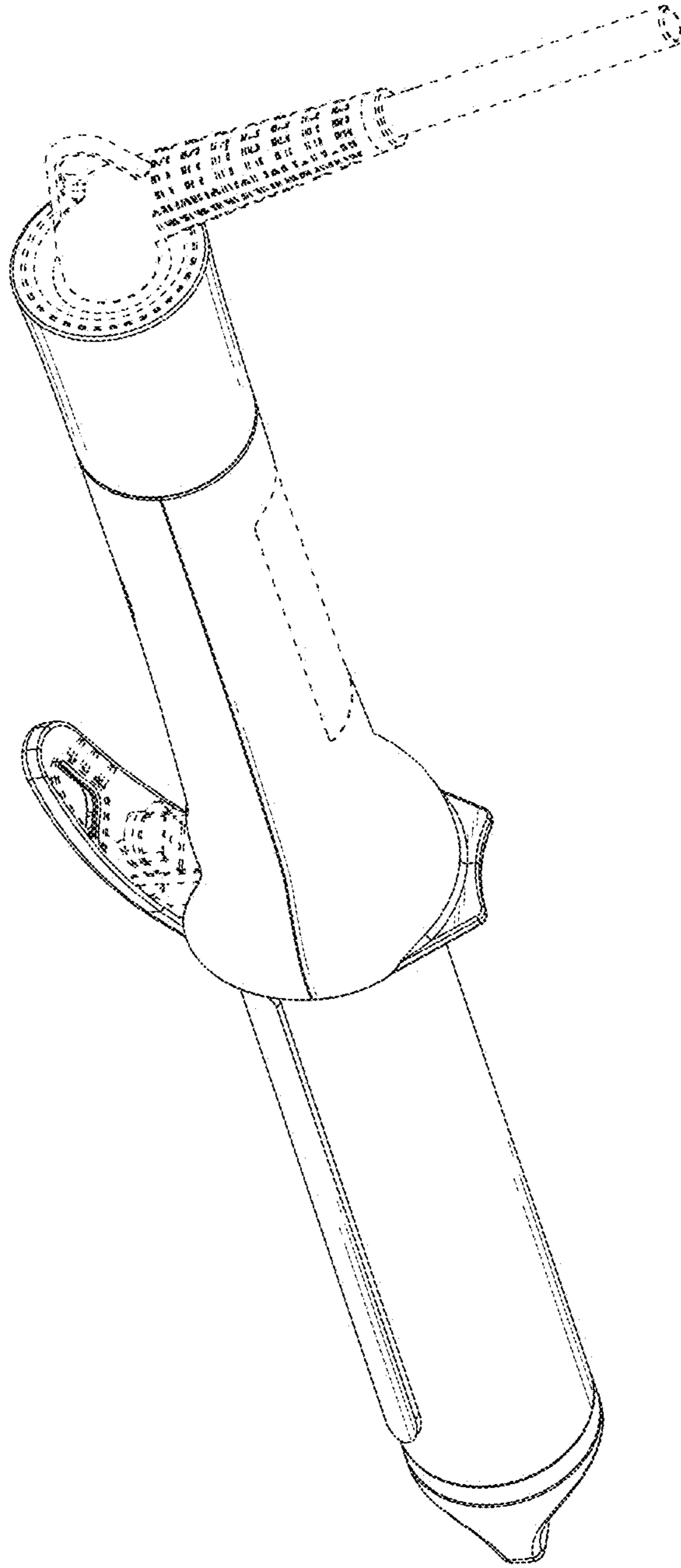


Fig. 9