



US00D921289S

(12) **United States Design Patent** (10) **Patent No.:** **US D921,289 S**
Huang (45) **Date of Patent:** **** Jun. 1, 2021**

(54) **HAIR STRAIGHTENER**

(71) Applicant: **Guangdong Huanengda Electrical appliances Co., LTD., Jieyang (CN)**

(72) Inventor: **Huaqun Huang, Jieyang (CN)**

(73) Assignee: **Guangdong Huanengda Electrical Appliances Co., LTD., Jieyang (CN)**

(**) Term: **15 Years**

(21) Appl. No.: **29/701,354**

(22) Filed: **Aug. 11, 2019**

(30) **Foreign Application Priority Data**

Mar. 19, 2019 (CN) 201930114421.0

(51) **LOC (13) Cl.** **28-03**

(52) **U.S. Cl.**
USPC **D28/35**

(58) **Field of Classification Search**
USPC D28/10, 35, 37, 38
CPC A45D 2/00; A45D 2/001; A45D 2/002;
A45D 2/02; A45D 2/04; A45D 2/06;
A45D 2/08; A45D 2/10; A45D 2/12-22;
A45D 2/24-34; A45D 2/36-367; A45D
1/00; A45D 1/04

See application file for complete search history.

(56) **References Cited**

U.S. PATENT DOCUMENTS

D516,747 S *	3/2006	Chan	D28/35
7,730,895 B2 *	6/2010	Maddocks	A45D 1/06 132/224
D682,467 S *	5/2013	Kim	D28/35
D876,014 S *	2/2020	Lin	D28/35
D884,272 S *	5/2020	Liao	D28/35
D901,077 S *	11/2020	Kim	D28/35
2013/0146081 A1 *	6/2013	Chan	A45D 2/001 132/229
2016/0255936 A1 *	9/2016	deGrood	A45D 1/04

(Continued)

OTHER PUBLICATIONS

CHI Escape Cordless Styling Iron Commercial, CHI Haircare, published on Dec. 16, 2016, retrieved on Nov. 12, 2020, retrieved from the Internet URL: <https://www.youtube.com/watch?v=JnPaceD8IWY>.*

(Continued)

Primary Examiner — Jennifer Rivard

Assistant Examiner — Alison M Ofstun

(74) *Attorney, Agent, or Firm* — Dragon Sun Law Firm, PC; Jinggao Li, Esq.

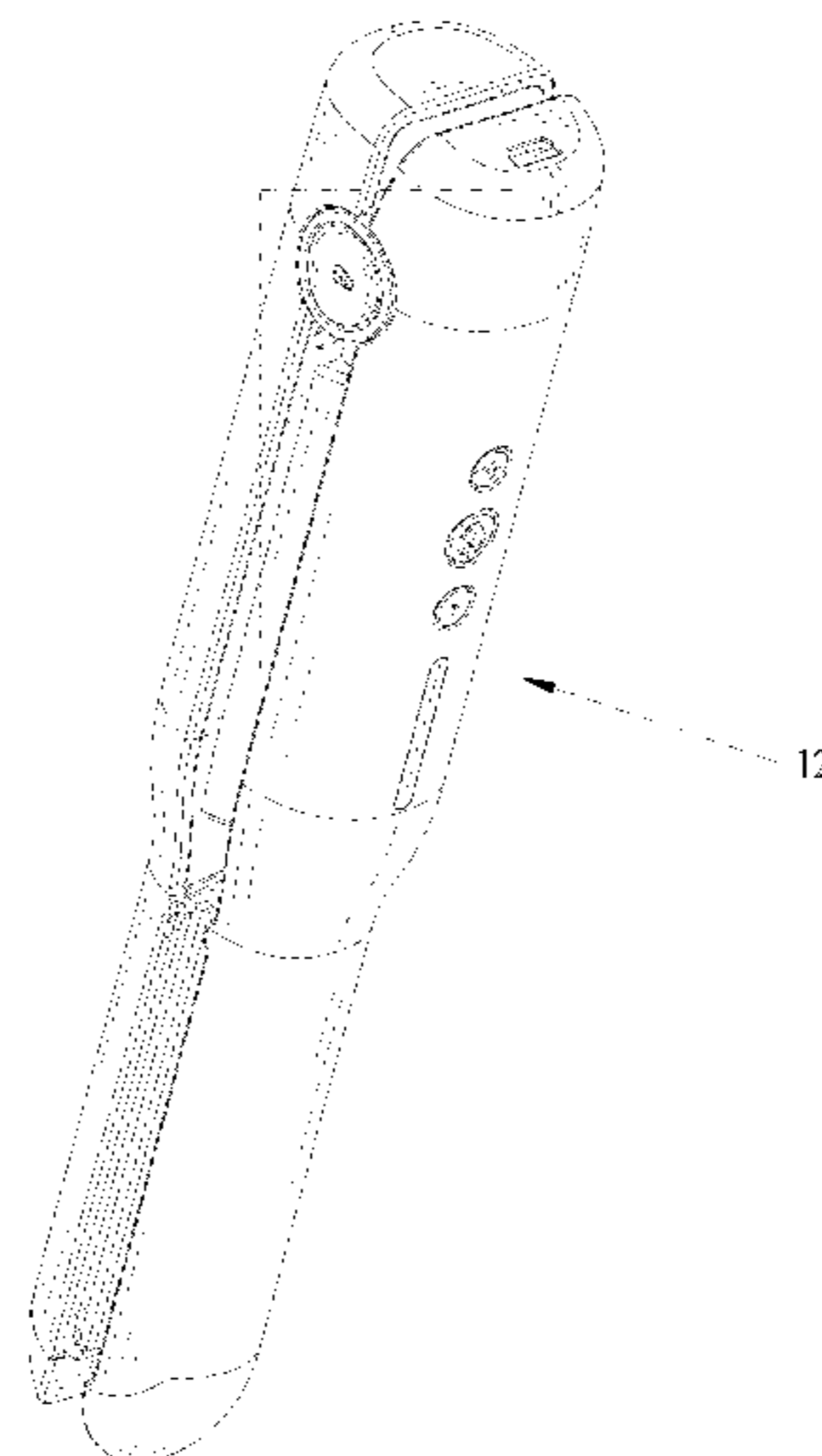
(57) **CLAIM**

The ornamental design for a hair straightener, as shown and described.

DESCRIPTION

FIG. 1 is a front of a hair straightener showing my new design;
FIG. 2 is a rear view thereof;
FIG. 3 is a left side view thereof;
FIG. 4 is a right side view thereof;
FIG. 5 is a top plan view thereof;
FIG. 6 is a bottom plan view thereof;
FIG. 7 is a right, top perspective view thereof;
FIG. 8 is a right, bottom perspective view thereof;
FIG. 9 is an enlarged view of portion “9” shown in FIG. 1;
FIG. 10 is an enlarged view of portion “10” shown in FIG. 2;
FIG. 11 is an enlarged view of portion “11” shown in FIG. 3; and,
FIG. 12 is an enlarged view of portion “12” shown in FIG. 8.
In the drawings, the broken lines illustrate portions of the hair straightener which form no part of the claimed design.

1 Claim, 12 Drawing Sheets



(56)

References Cited

U.S. PATENT DOCUMENTS

2017/0164708 A1* 6/2017 deGrood A45D 1/06
2017/0188681 A1* 7/2017 Leung H05B 3/283
2018/0042352 A1* 2/2018 deGrood A45D 1/04
2018/0177273 A1* 6/2018 Jeong A45D 1/08
2018/0303217 A1* 10/2018 Pena A45D 6/20

OTHER PUBLICATIONS

Cordless Mini Flat Iron 5000mAh by Lanxim, reviewed on Oct. 7, 2019, retrieved on Nov. 12, 2020, retrieved from the Internet URL: <https://www.amazon.com/Battery-Operated-Tourmaline-Straightener-Straightening-Rechargeable/dp/B07W76D98K?th=1>.*

* cited by examiner

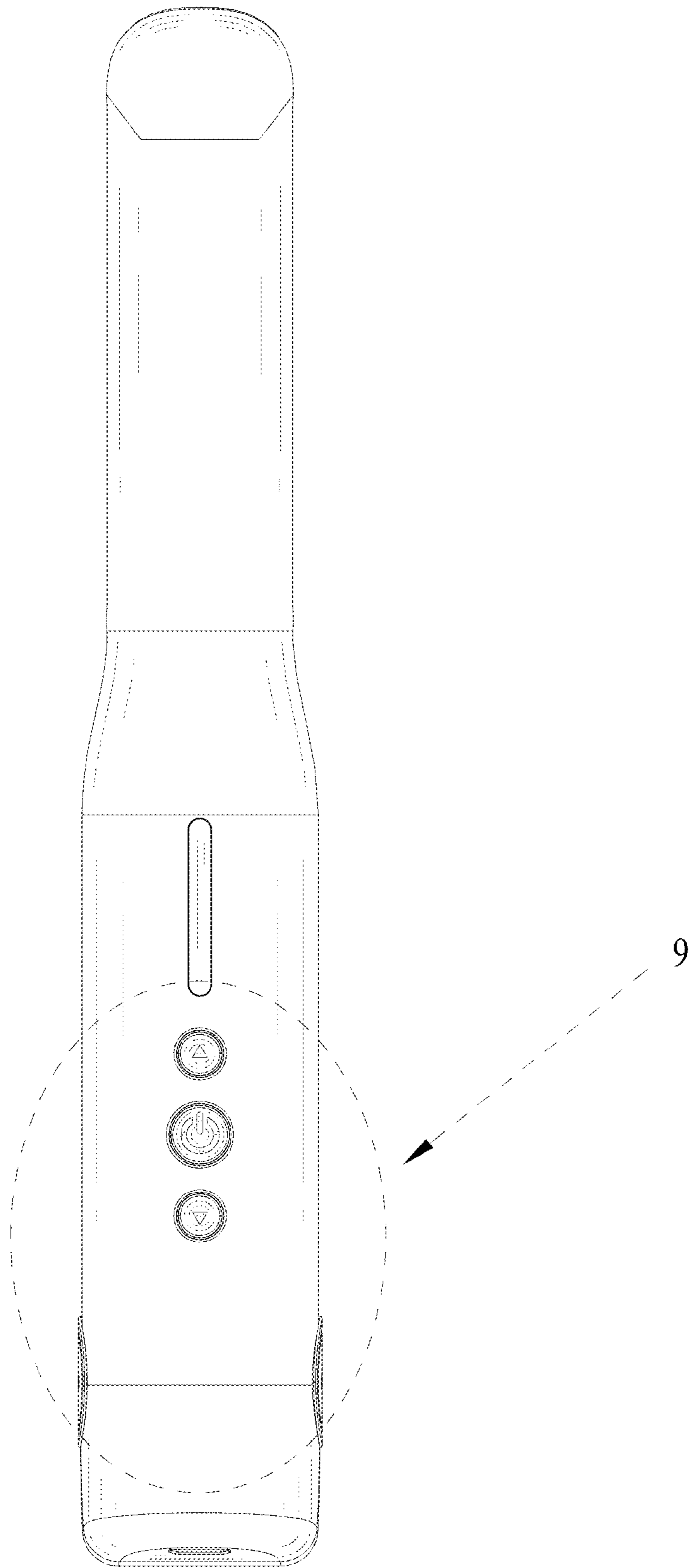


FIG. 1

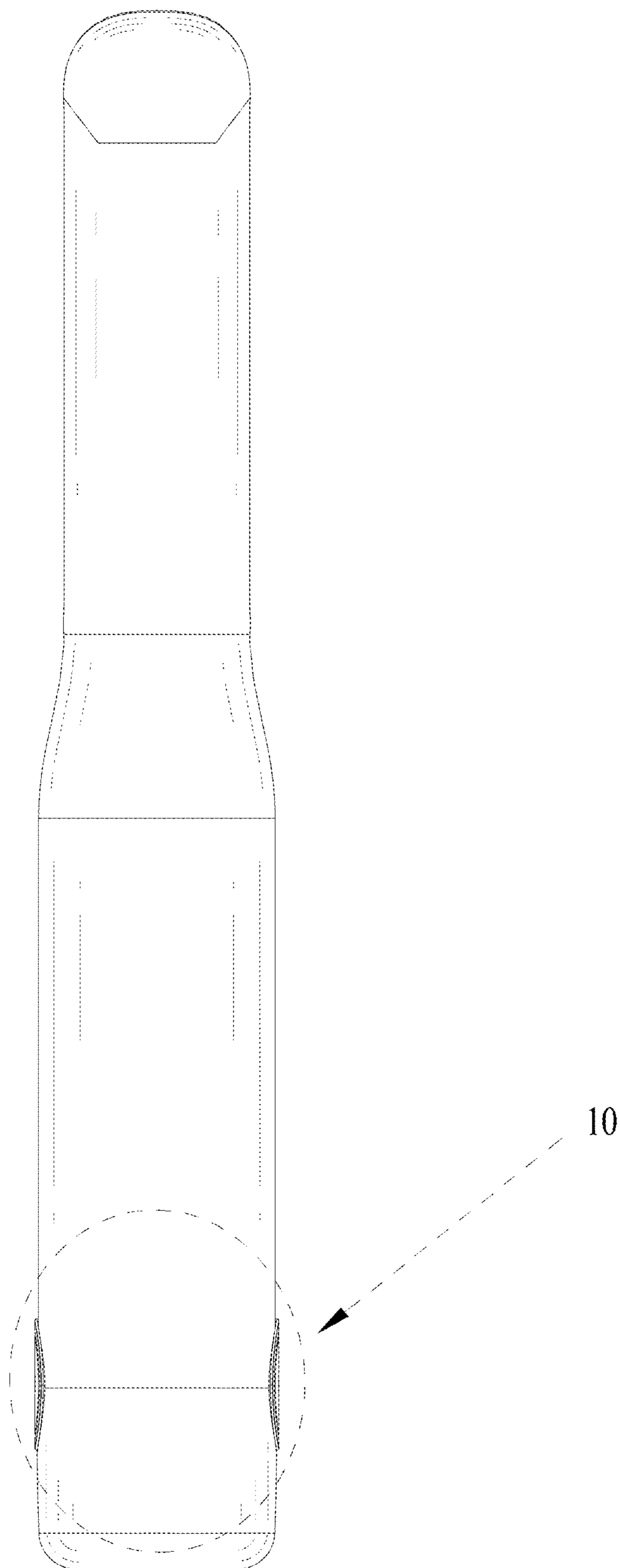


FIG. 2

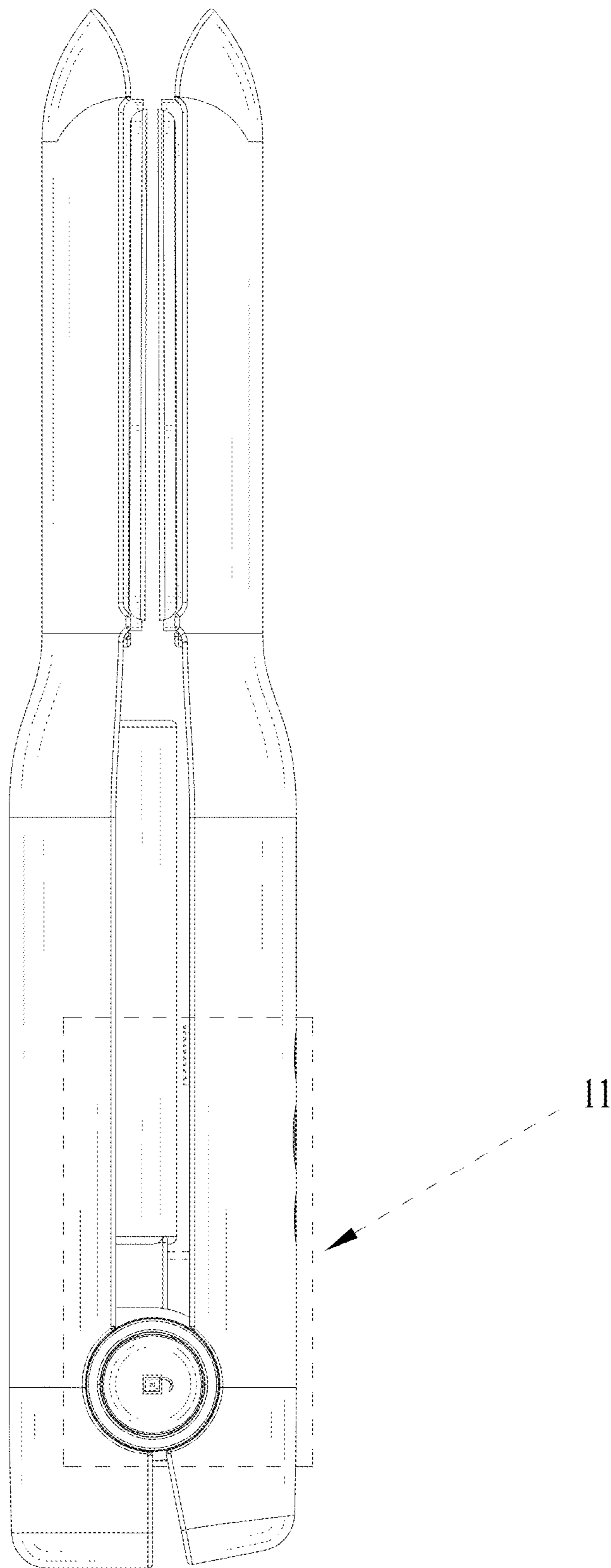


FIG. 3

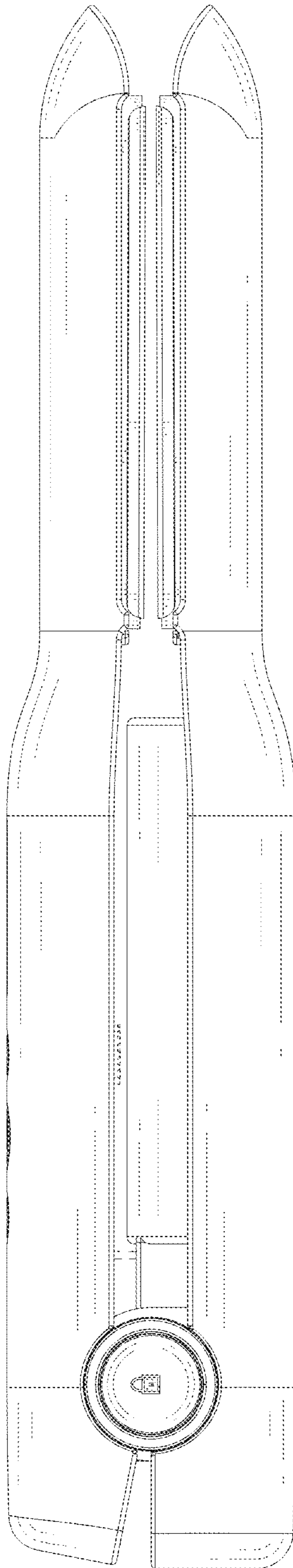


FIG. 4

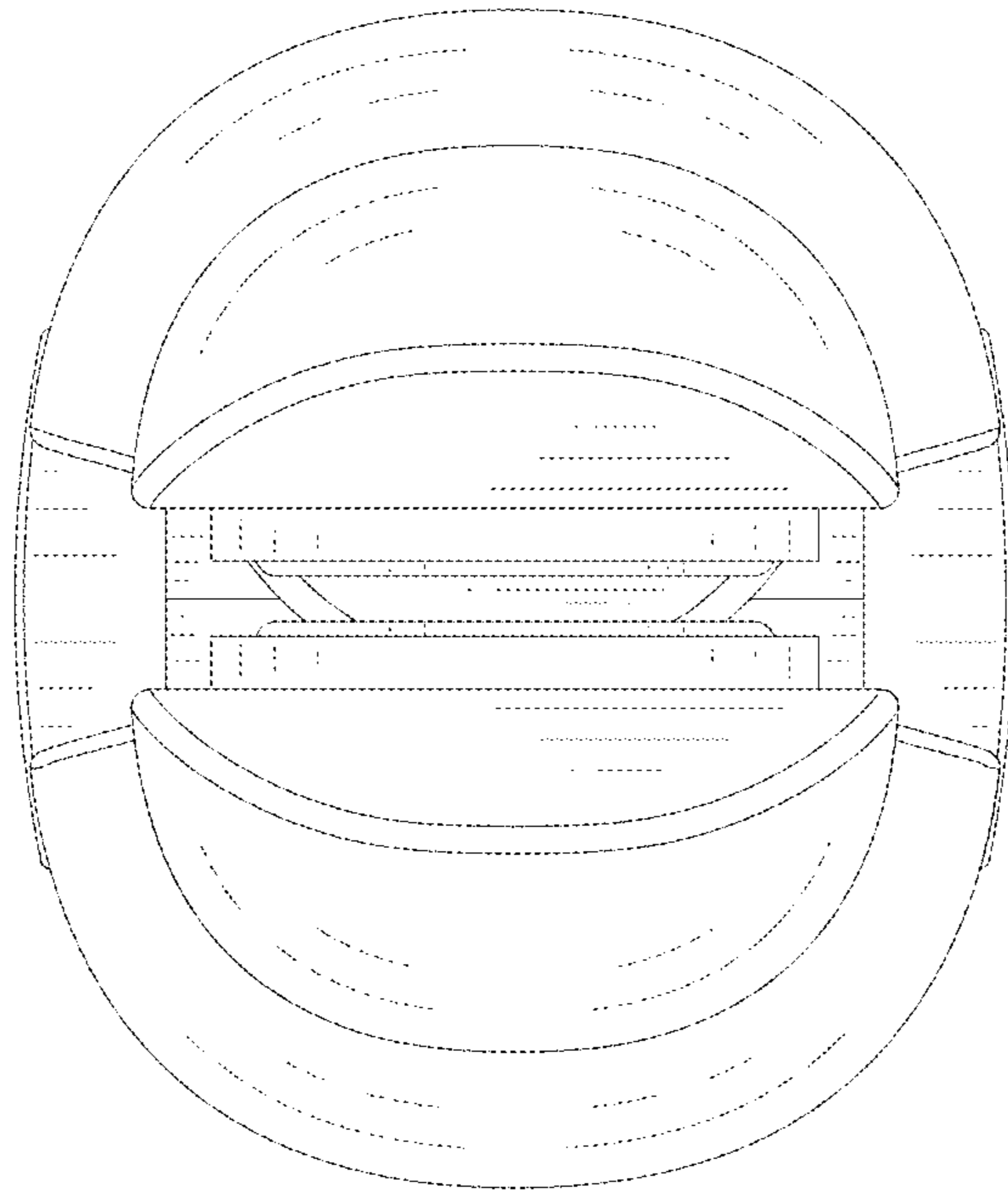


FIG. 5

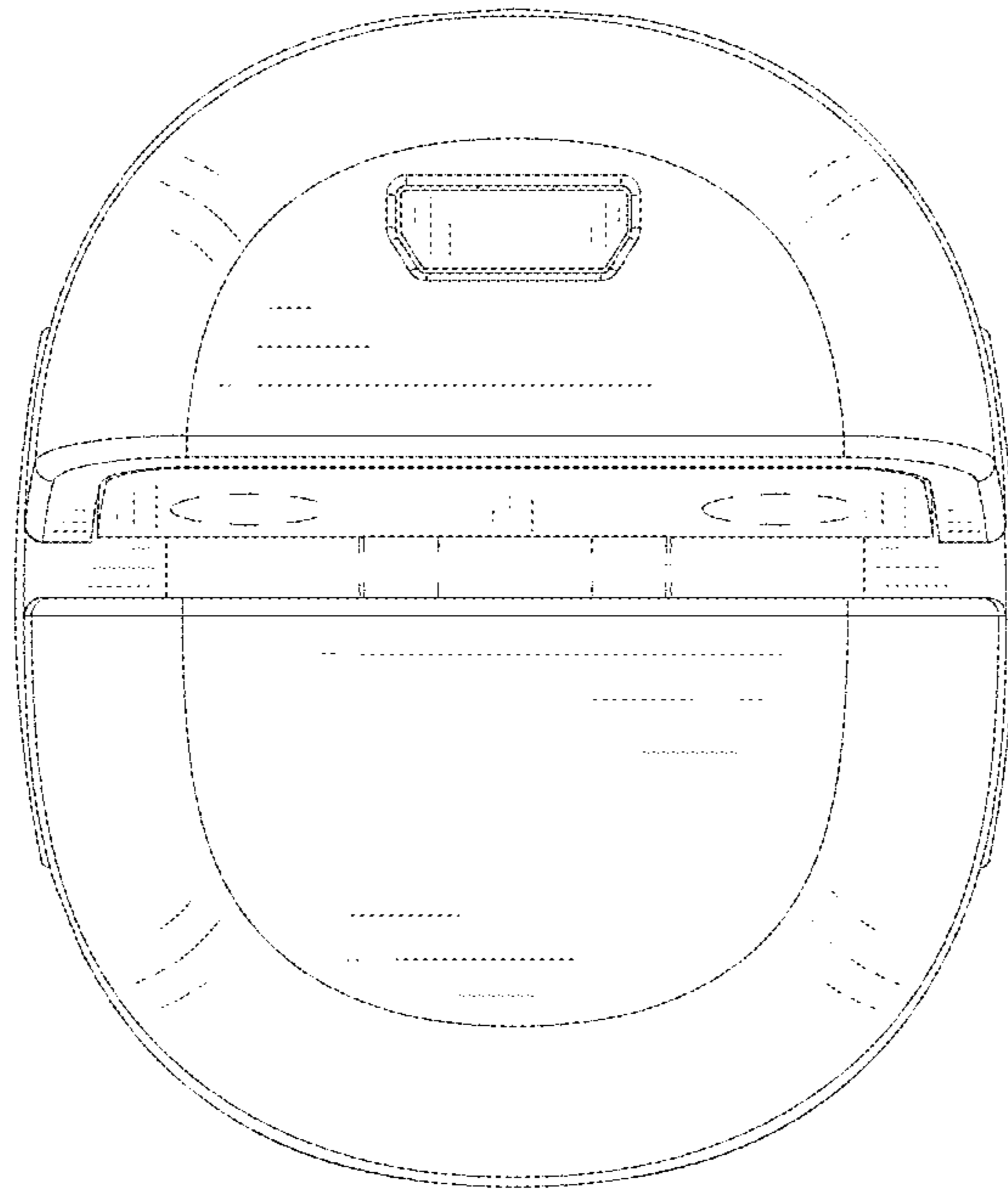


FIG. 6

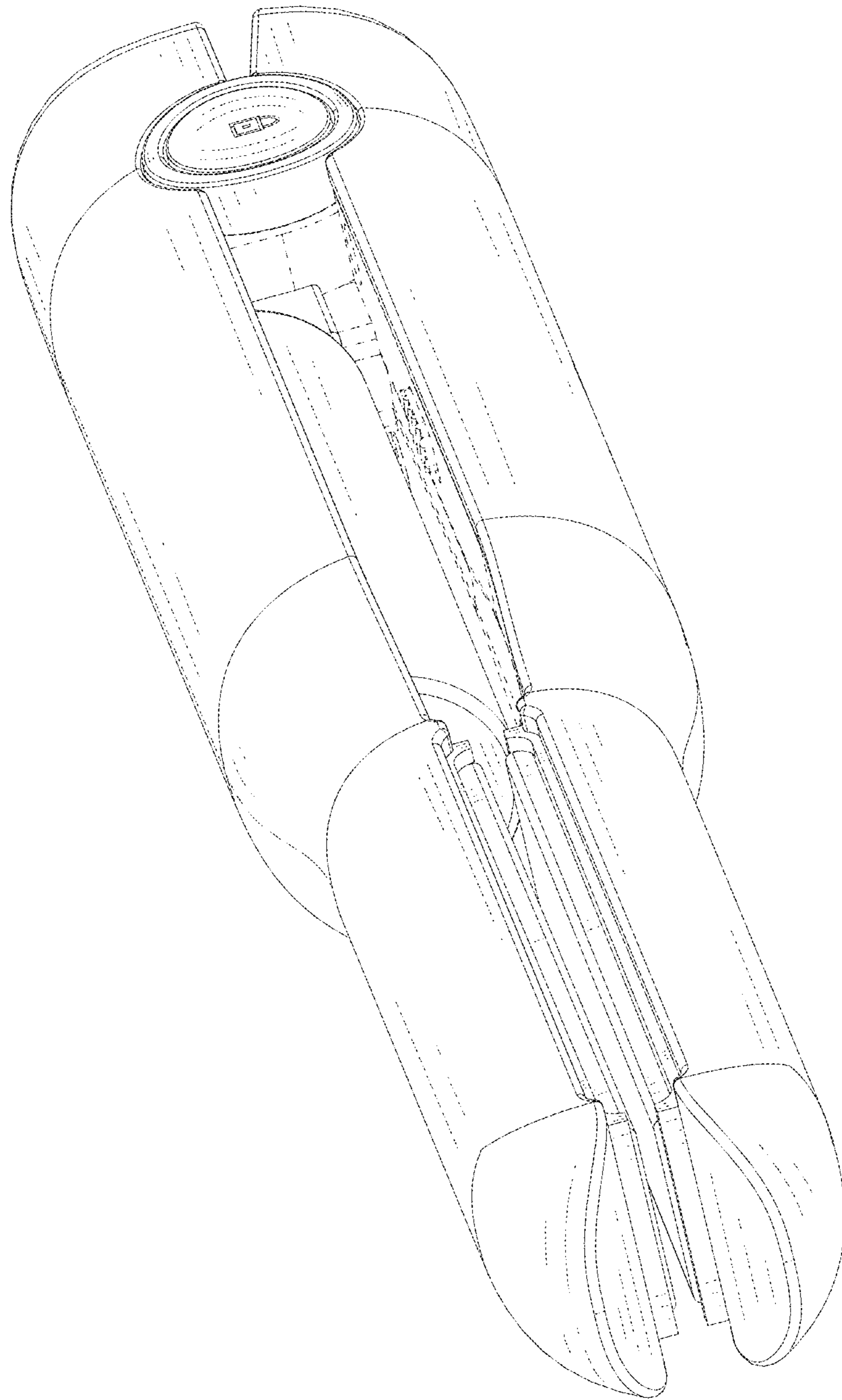


FIG. 7

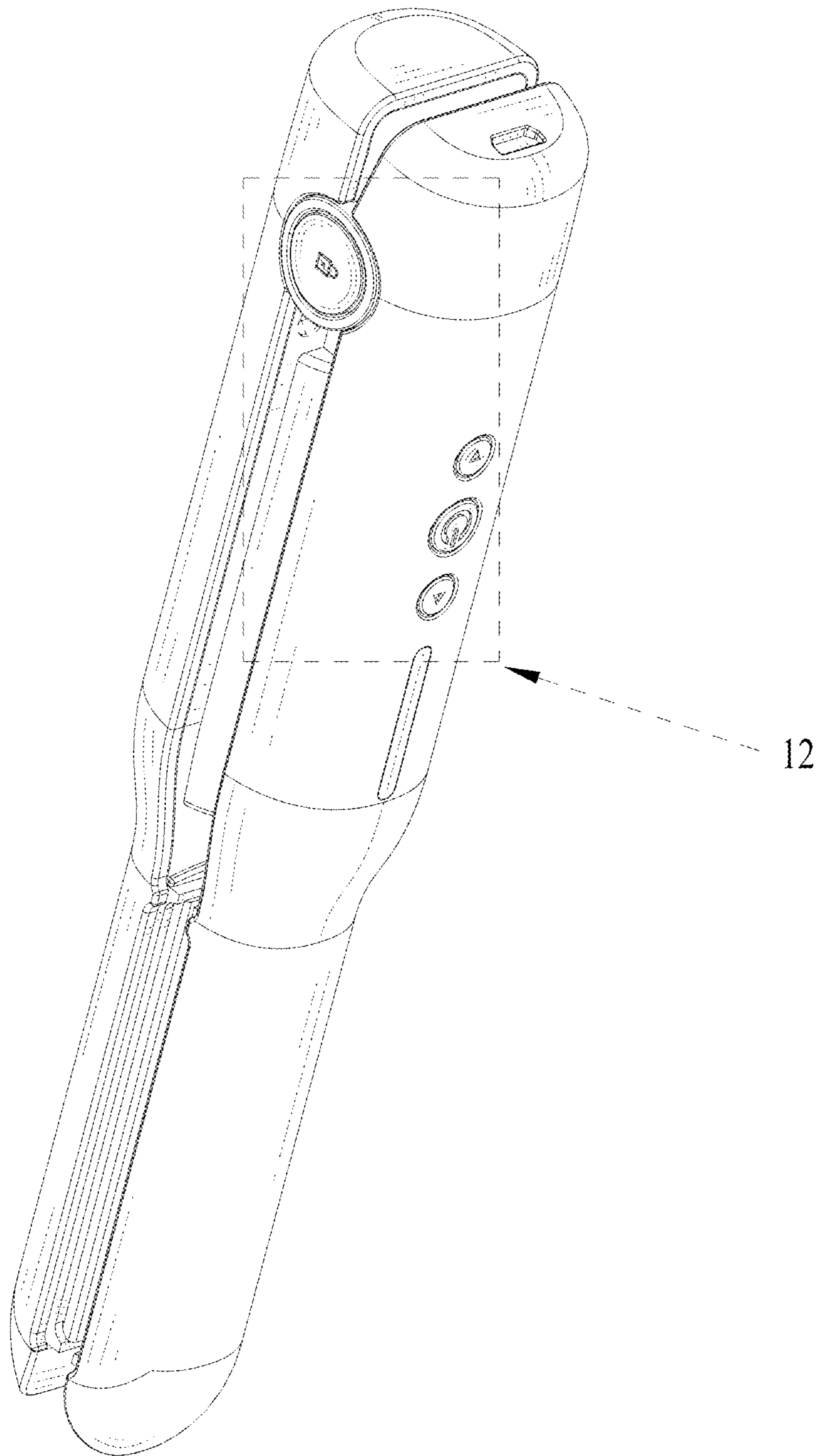


FIG. 8

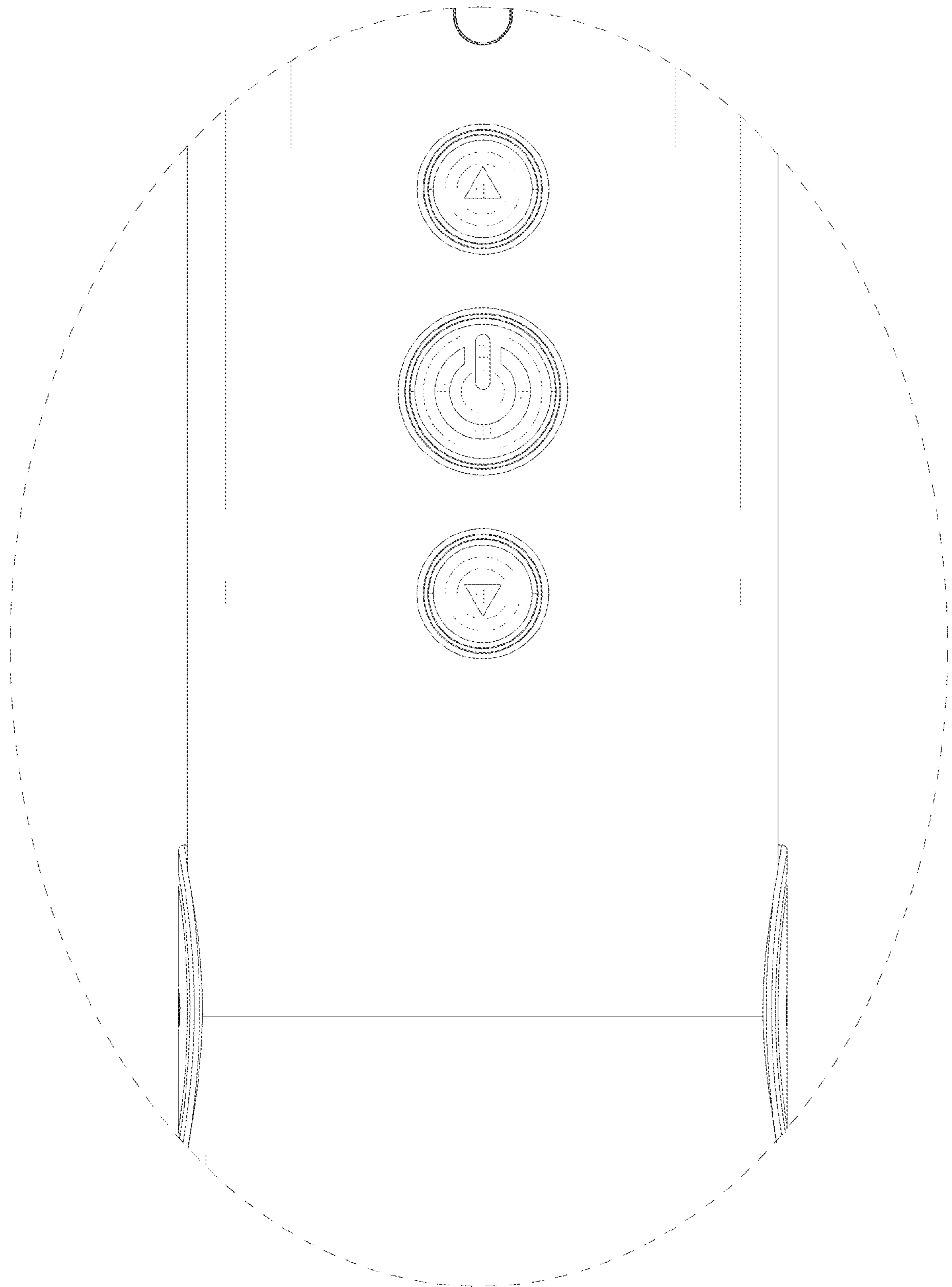


FIG. 9

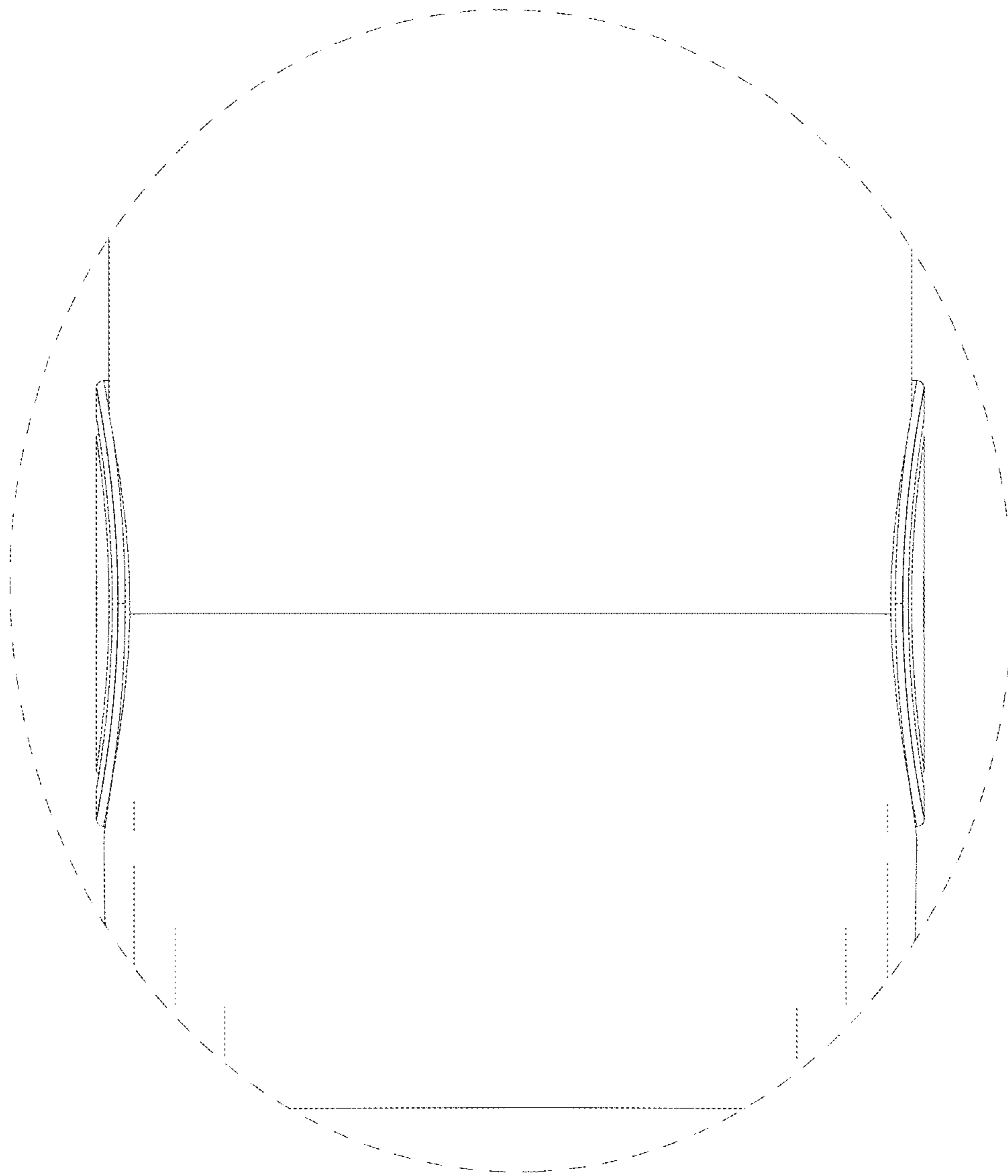


FIG. 10

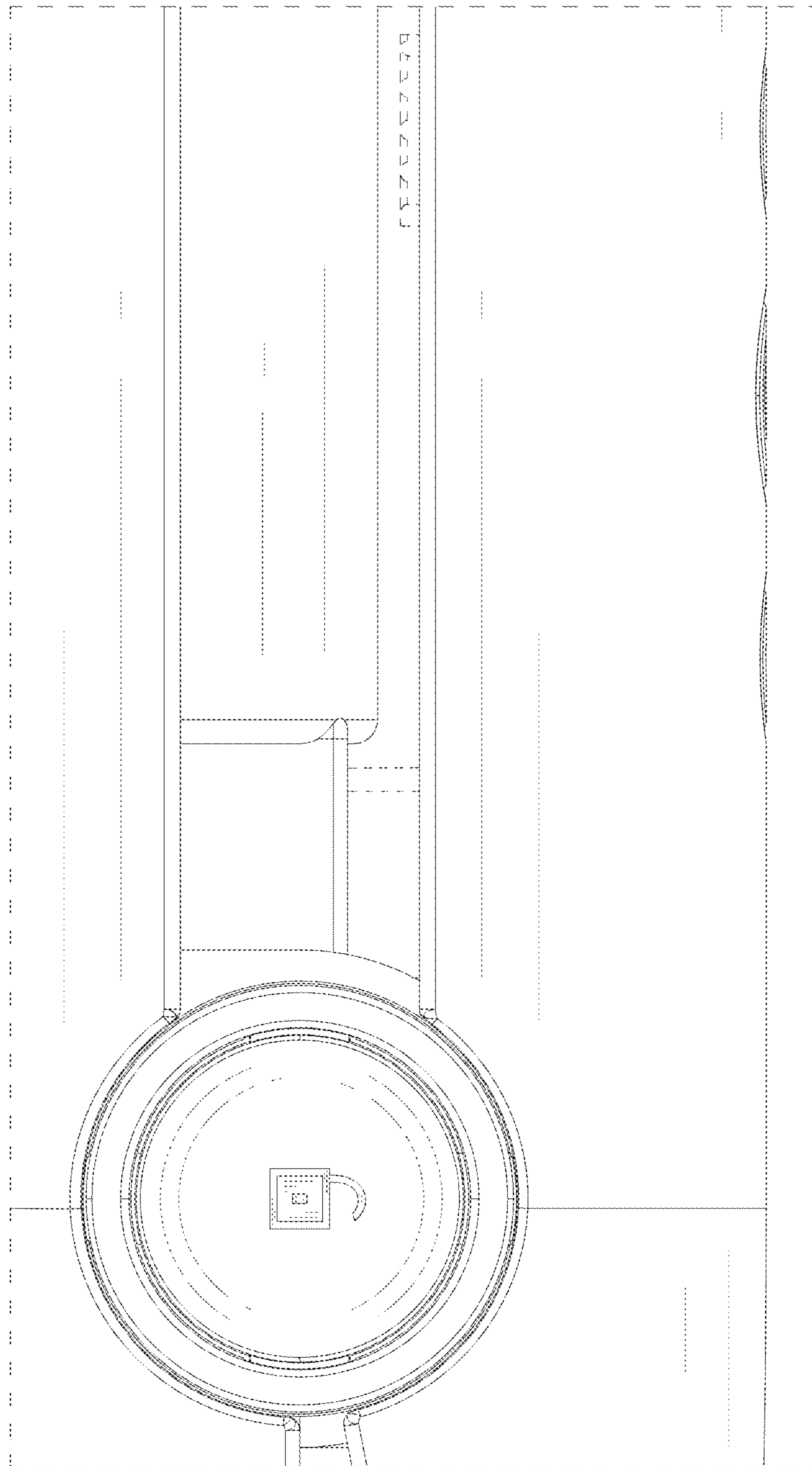


FIG. 11

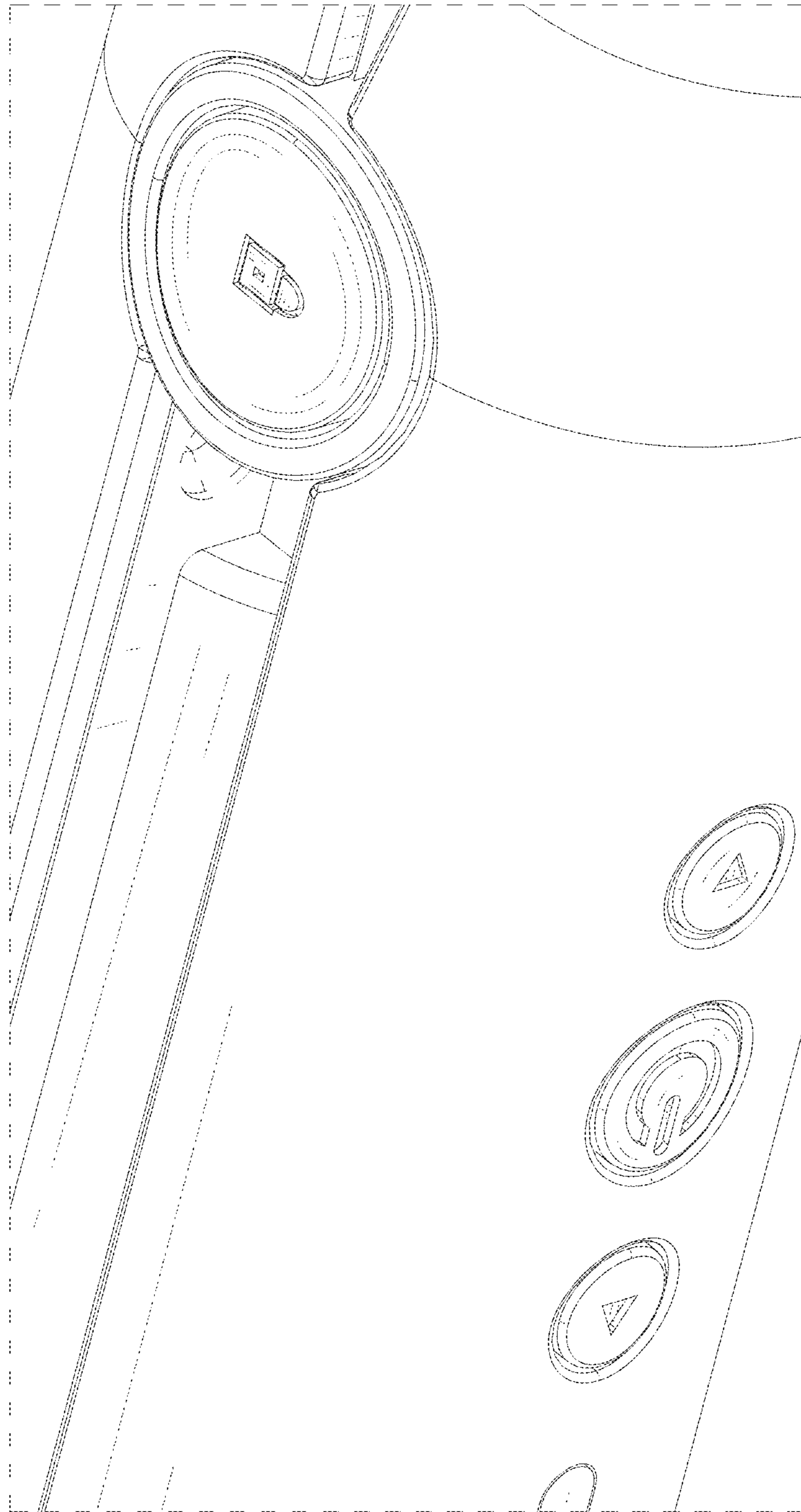


FIG. 12